

US00D560093S

(12) **United States Design Patent**
Verdun

(10) **Patent No.:** **US D560,093 S**

(45) **Date of Patent:** **** Jan. 22, 2008**

(54) **FOOD PROCESSOR**

(75) Inventor: **Gilbert Verdun**, Fontenay Sous Bois (FR)

(73) Assignee: **Magimix**, Vincennes (FR)

(**) Term: **14 Years**

(21) Appl. No.: **29/268,560**

(22) Filed: **Nov. 9, 2006**

Related U.S. Application Data

(63) Continuation-in-part of application No. 29/255,120, filed on Mar. 6, 2006, now abandoned.

(30) **Foreign Application Priority Data**

Sep. 6, 2005 (EM) 000396015-0002

(51) **LOC (8) Cl.** **31-00**

(52) **U.S. Cl.** **D7/384**

(58) **Field of Classification Search** D7/376-386, D7/412-414, 665; 99/492, 509-511; 241/30, 241/37.5, 166-169.1, 274-278.2, 285.1-285.3, 241/291, 292.1; 366/64-67, 98, 197-221, 366/241-254, 279-292, 341-343

See application file for complete search history.

(56) **References Cited**

U.S. PATENT DOCUMENTS

- D254,161 S * 2/1980 Verdun D7/384
- 4,371,118 A * 2/1983 Sontheimer et al. 241/30
- 4,799,626 A * 1/1989 Hickel et al. 241/37.5
- D327,806 S * 7/1992 Fleche D7/384
- D390,746 S * 2/1998 Hippen et al. D7/384

- D445,299 S * 7/2001 Spagnolo et al. D7/384
- 6,397,735 B1 * 6/2002 Wong 99/492
- D466,363 S * 12/2002 Dalton et al. D7/384
- D488,344 S * 4/2004 Seum et al. D7/384
- D502,047 S * 2/2005 Ledingham et al. D7/384
- D502,842 S * 3/2005 Hallar D7/384
- 6,907,819 B2 * 6/2005 Kernan 99/492
- 6,986,475 B2 * 1/2006 Wanat 241/37.5

FOREIGN PATENT DOCUMENTS

FR DM/067668 * 3/2006

OTHER PUBLICATIONS

Kitchen Kapers Fall 2005, Cuisinart 14 Cup Power Prep Plus Food Processor, Item #DLC 2014 N White.*

* cited by examiner

Primary Examiner—Caron D. Veynar

Assistant Examiner—Ricky Pham

(74) *Attorney, Agent, or Firm*—Young & Thompson

(57) **CLAIM**

The ornamental design for a food processor, as shown and described.

DESCRIPTION

FIG. 1 is a perspective view of a food processor showing my new design;

FIG. 2 is a front elevational view thereof;

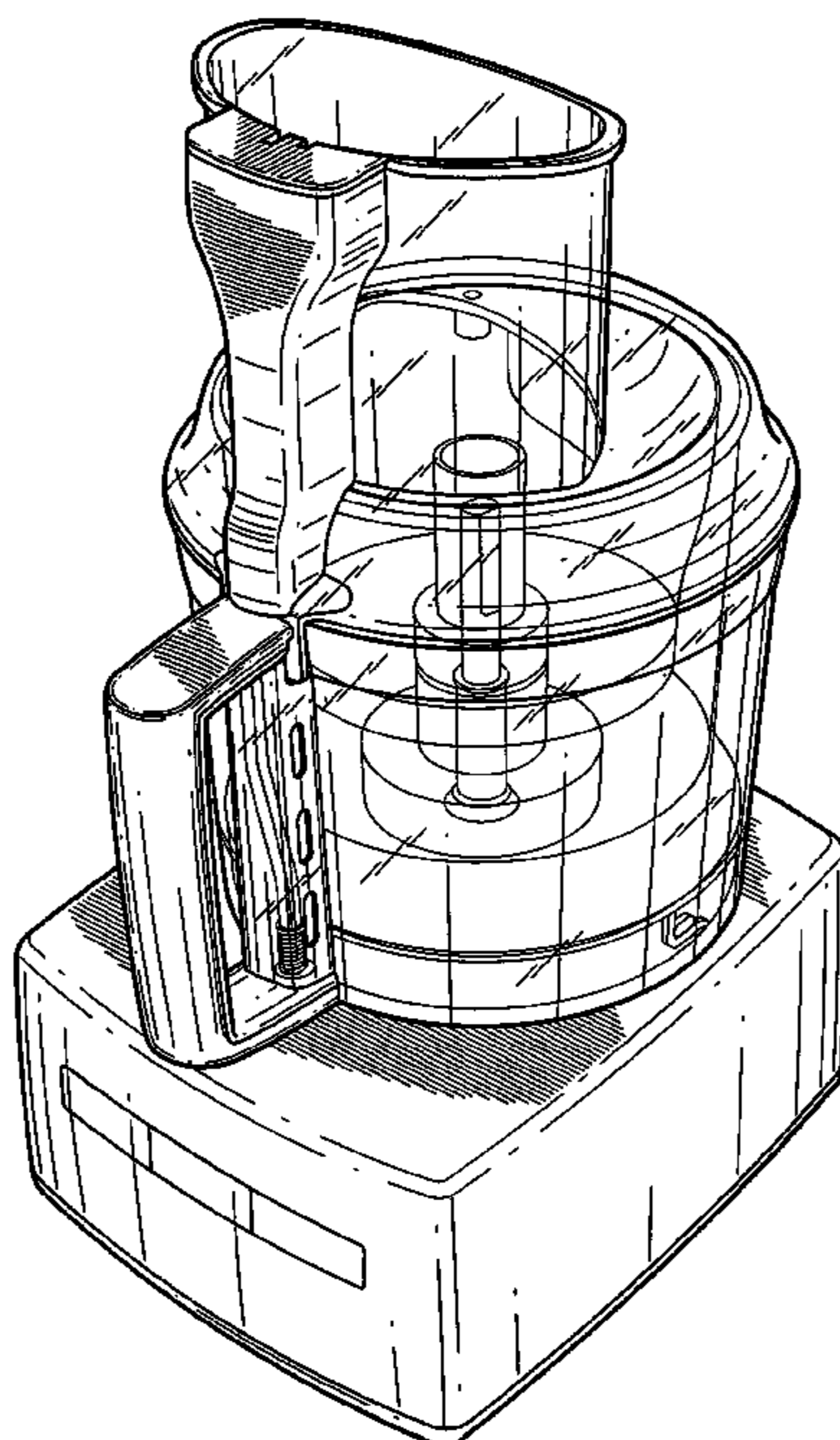
FIG. 3 is a rear elevational view thereof;

FIG. 4 is a right side elevational view thereof;

FIG. 5 is a left side elevational view thereof; and,

FIG. 6 is a top plan view thereof.

1 Claim, 6 Drawing Sheets



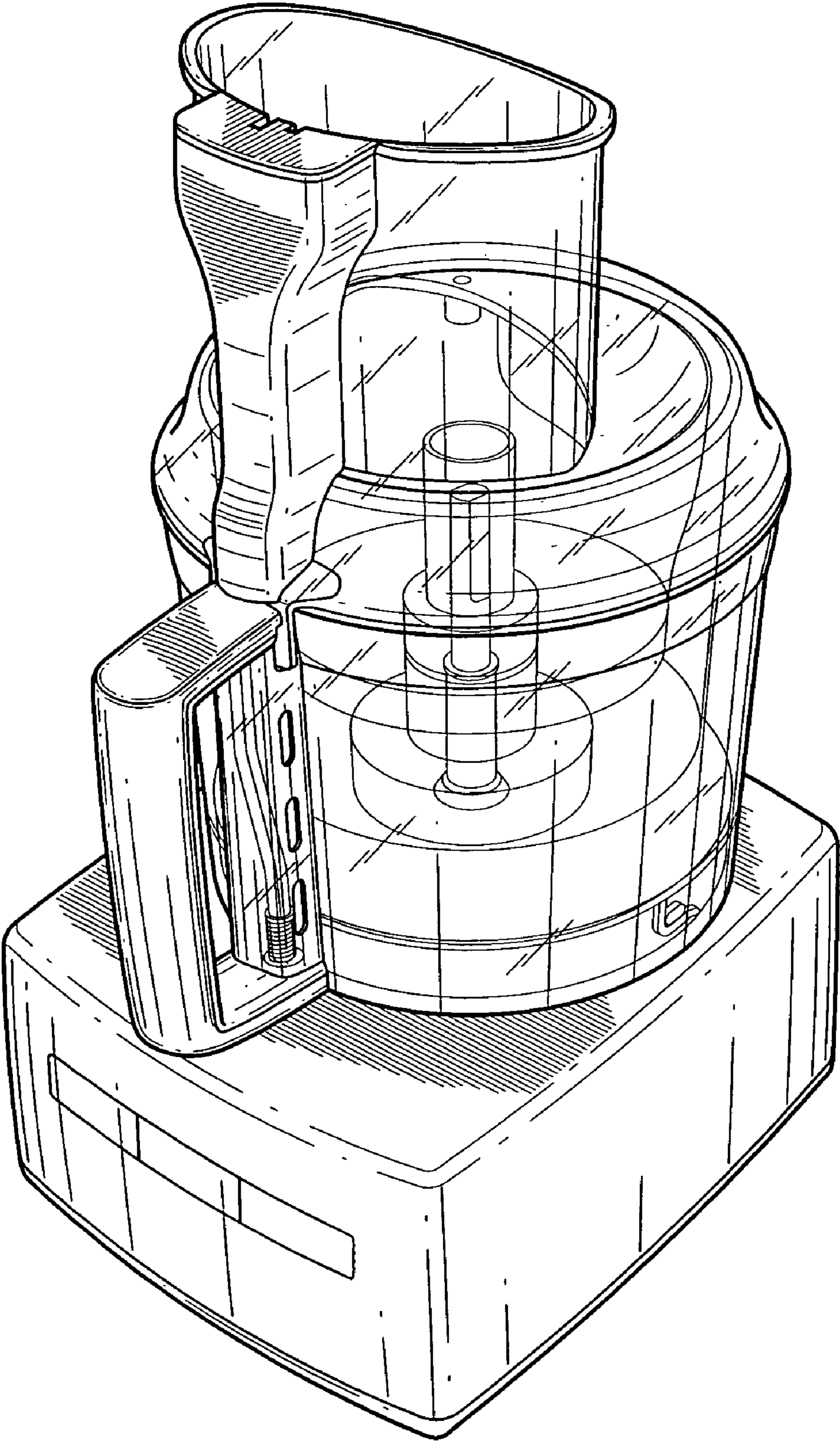


FIG. 1

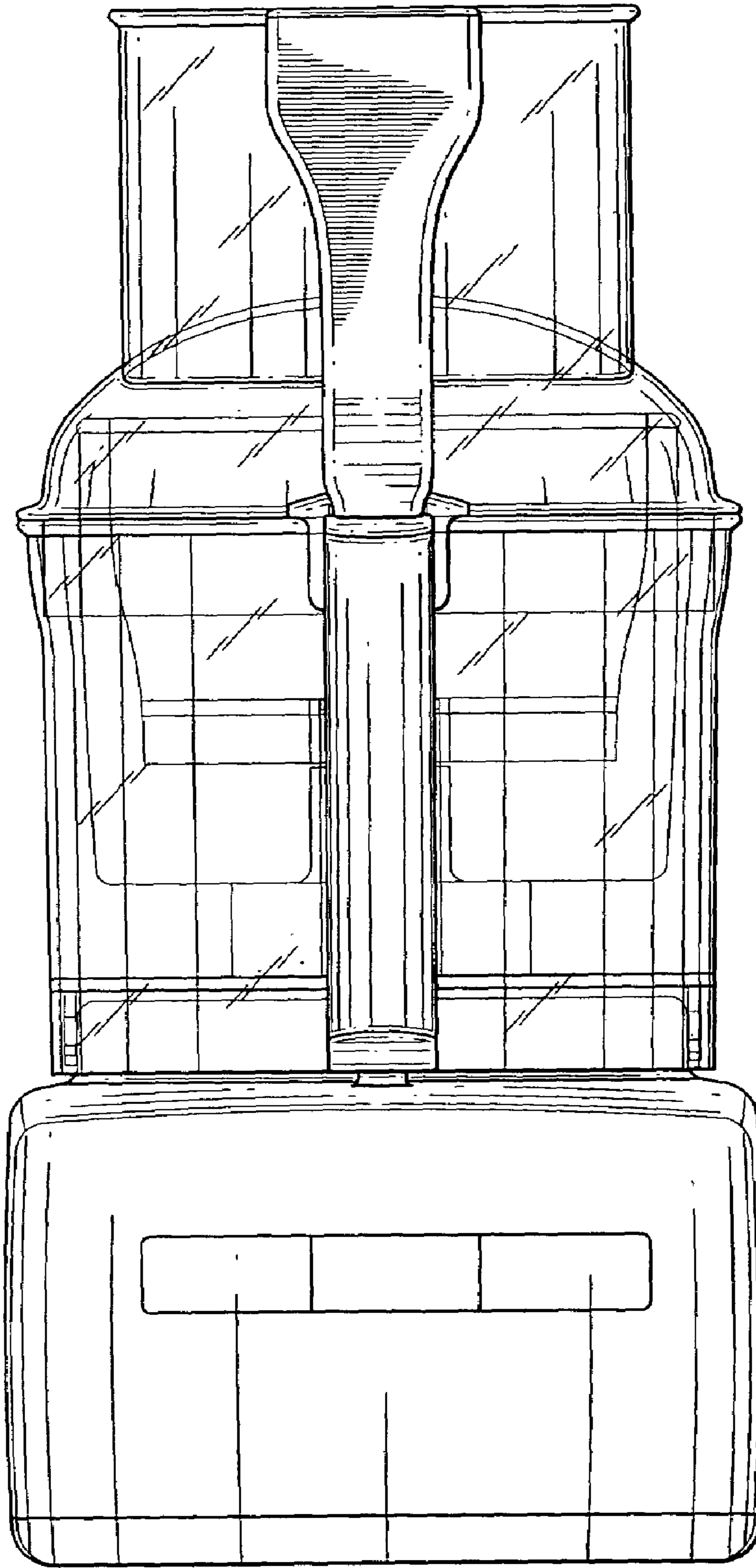


FIG. 2

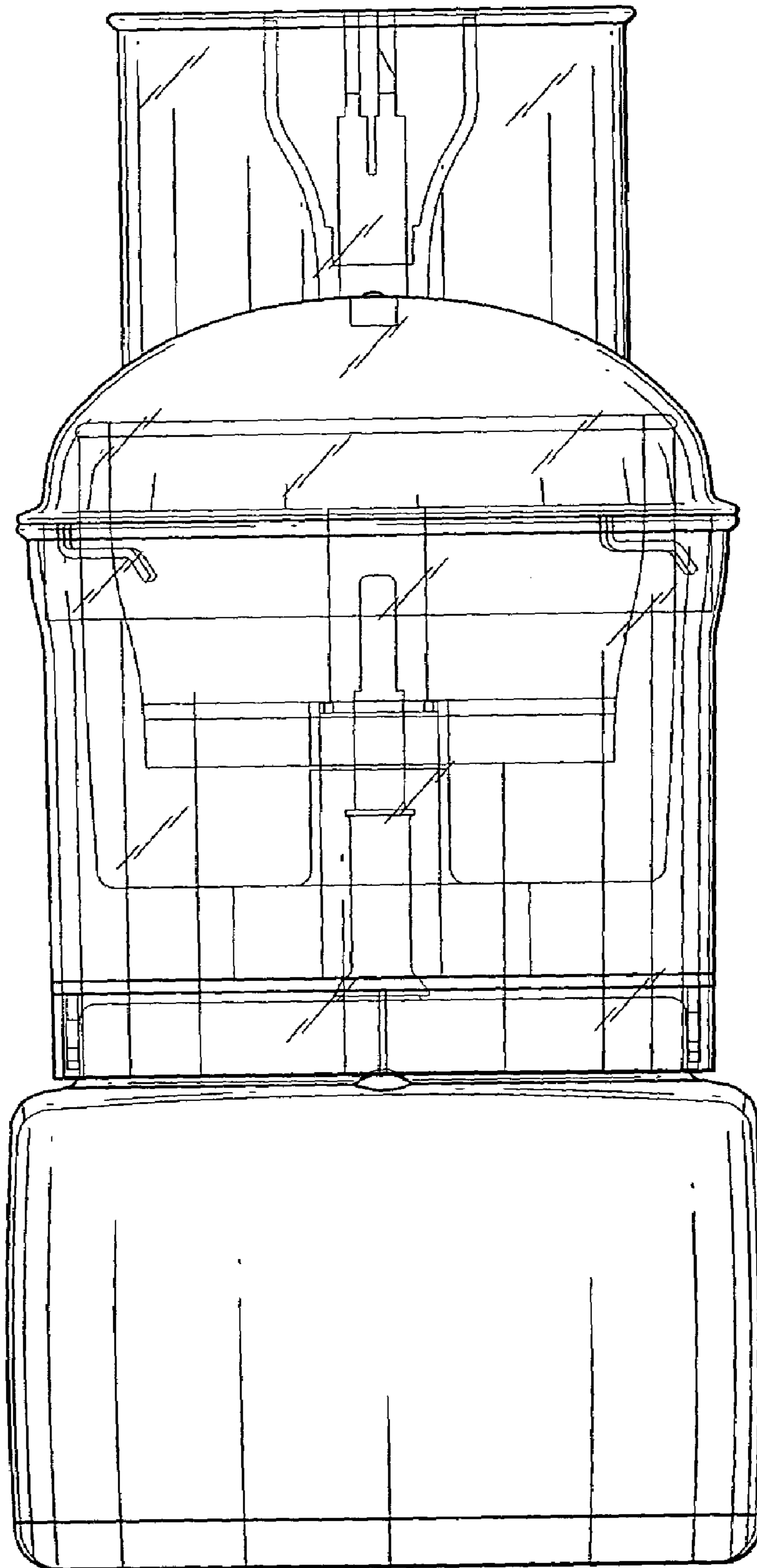


FIG. 3

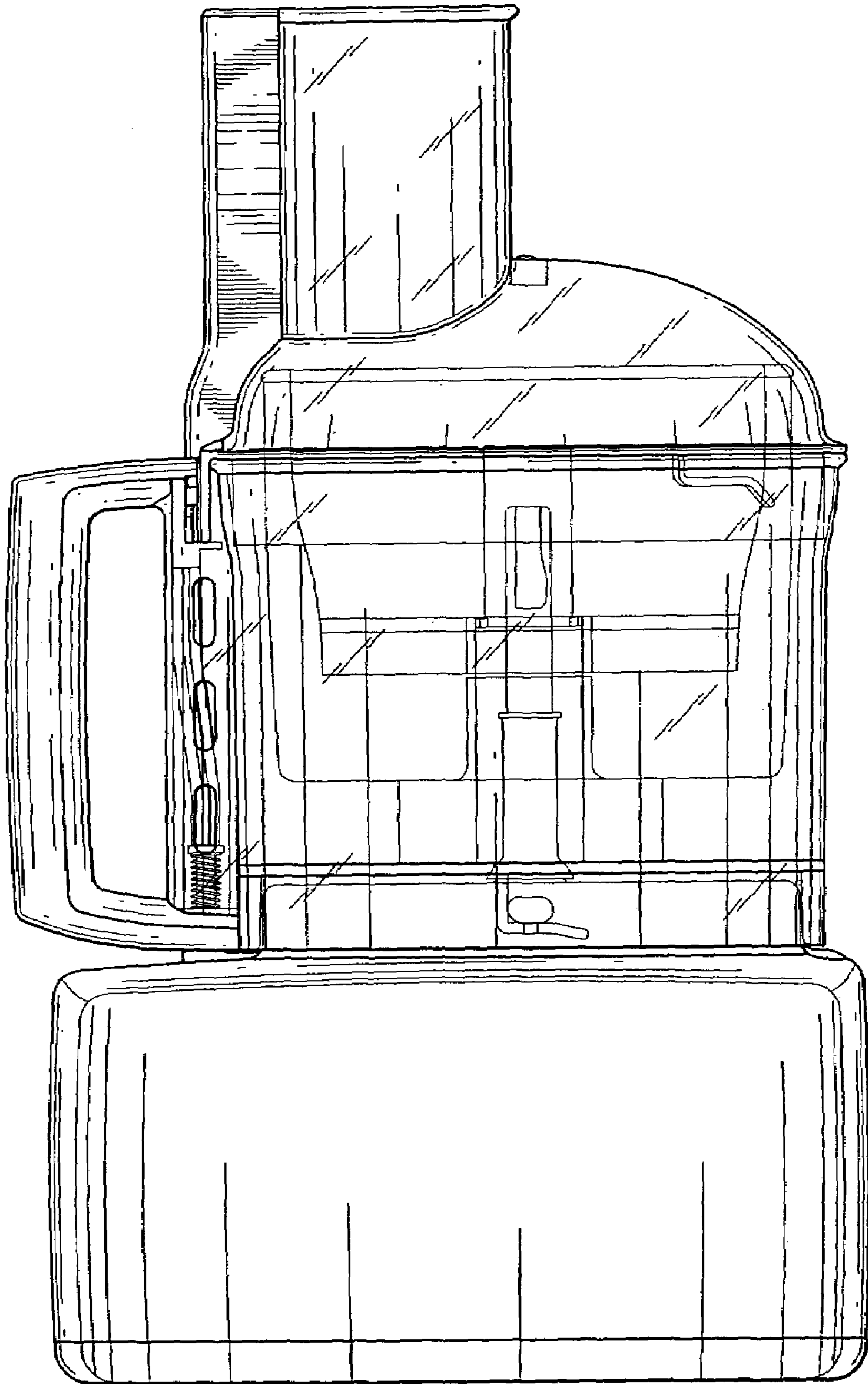


FIG.4

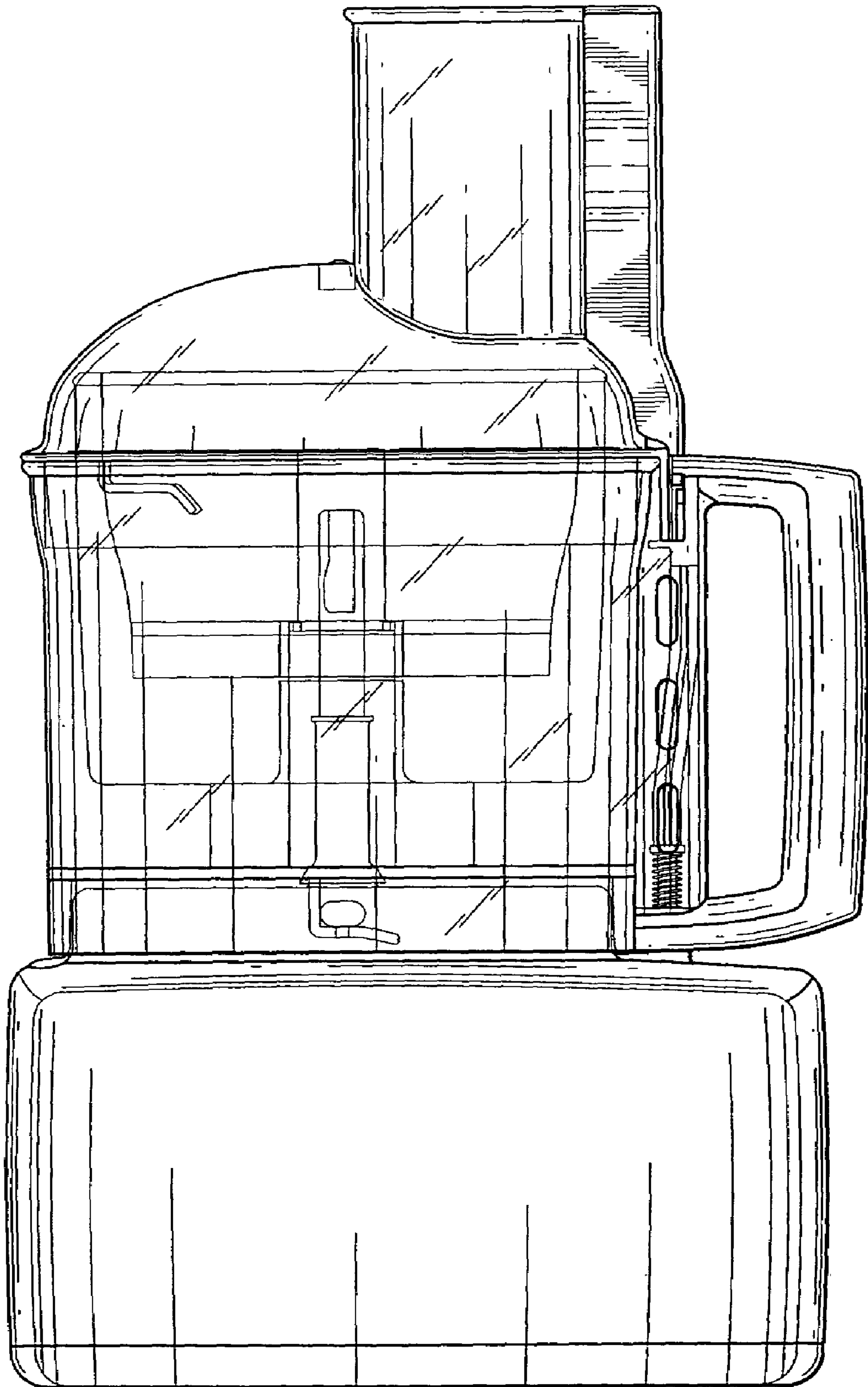


FIG. 5

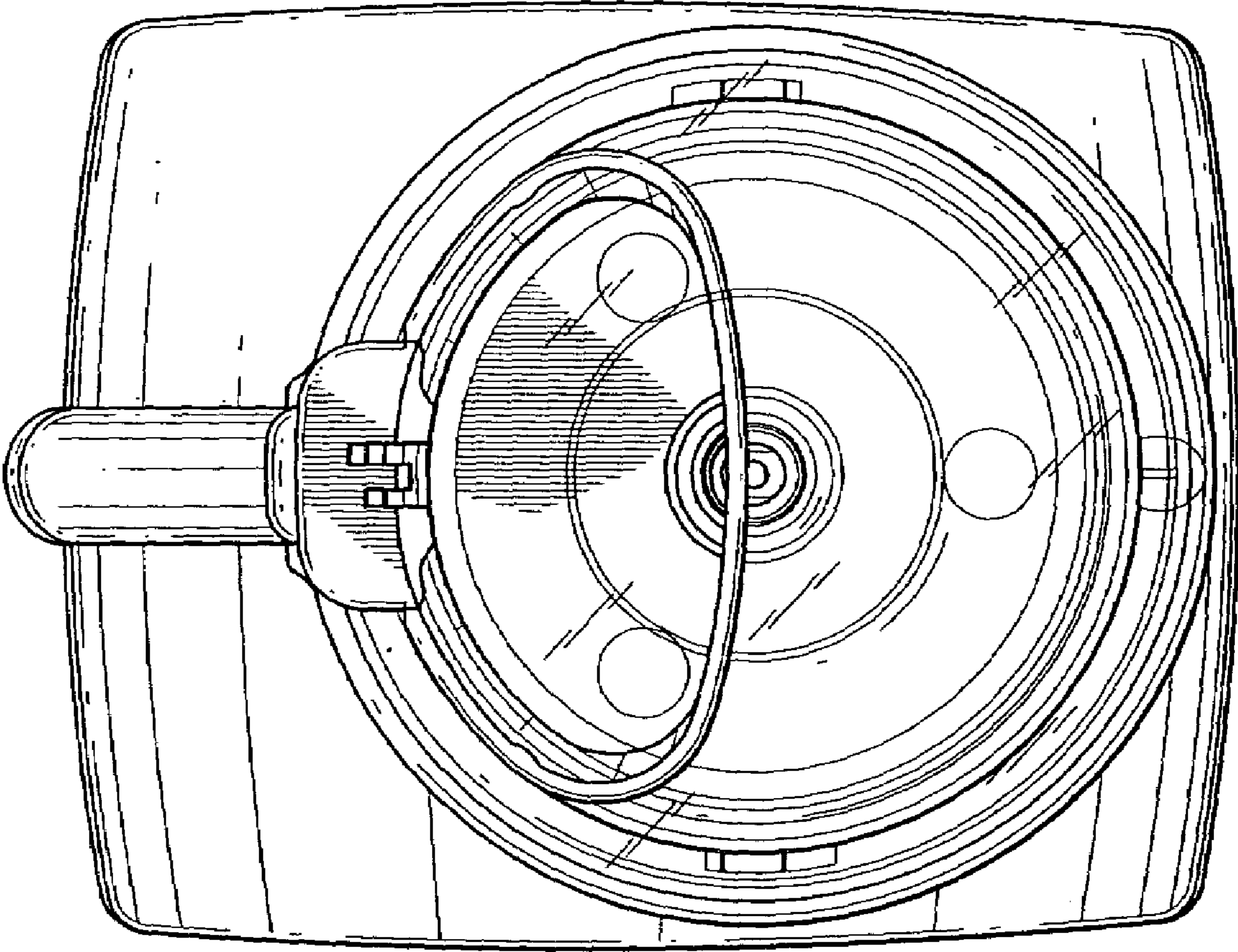


FIG. 6