



US00D560088S

(12) **United States Design Patent**
Tracy

(10) **Patent No.:** **US D560,088 S**
(45) **Date of Patent:** **** Jan. 22, 2008**

(54) **EQUIPMENT HOLDING DEVICE**

(57) **CLAIM**

(76) Inventor: **Todd F. Tracy**, 3015 Roxburgh Dr.,
Roswell, GA (US) 30026

The ornamental design for an equipment holding device, as
shown and described.

(**) Term: **14 Years**

(21) Appl. No.: **29/257,501**

DESCRIPTION

(22) Filed: **Apr. 5, 2006**

(51) **LOC (8) Cl.** **08-08**

(52) **U.S. Cl.** **D6/552**

(58) **Field of Classification Search** D6/449,
D6/466, 469, 512, 532, 552, 553, 567; D8/71,
D8/61, 601, 611, 619, 620; D12/419; D19/61;
211/13.1, 14, 60.1, 63-66, 69.5, 70.2, 86.11;
248/311.2, 311.3; 206/315.1

See application file for complete search history.

FIG. 1 is a front perspective view of the equipment holding
device of the present invention, illustrating the new, original,
and ornamental design;

FIG. 2 is a rear perspective view of the equipment holding
device of the present invention, illustrating the new, original,
and ornamental design;

FIG. 3 is a side planar view of the equipment holding device
of the present invention, illustrating the new, original, and
ornamental design;

FIG. 4 is a top planar view of the equipment holding device
of the present invention, illustrating the new, original, and
ornamental design;

FIG. 5 is a front planar view of the equipment holding device
of the present invention, illustrating the new, original, and
ornamental design;

FIG. 6 is a rear planar view of the equipment holding device
of the present invention, illustrating the new, original, and
ornamental design; and,

FIG. 7 is a bottom planar view of the equipment holding
device of the present invention, illustrating the new, original,
and ornamental design.

(56) **References Cited**

U.S. PATENT DOCUMENTS

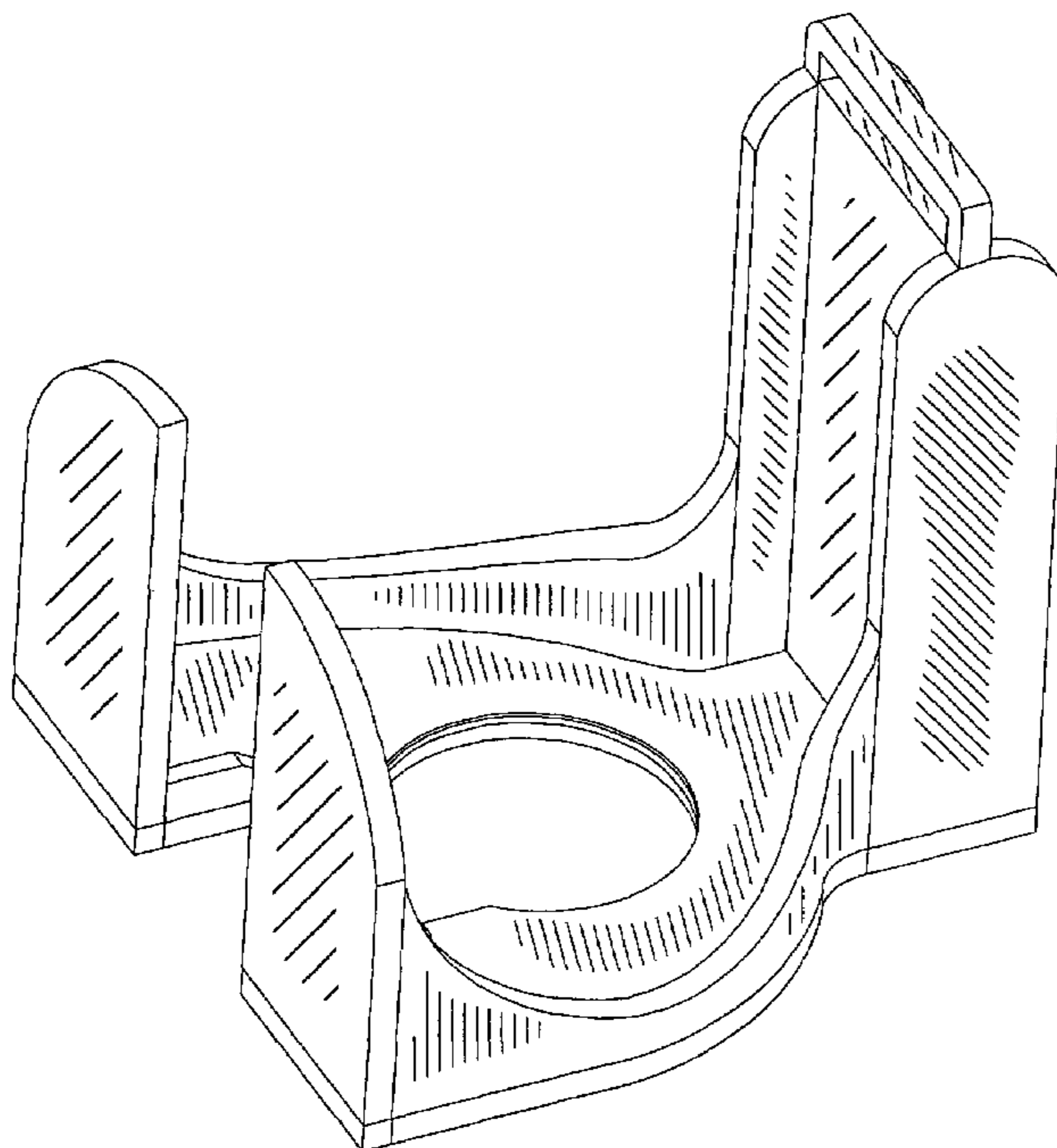
4,049,126	A *	9/1977	Halverson	211/60.1
D275,534	S *	9/1984	Halverson	D6/552
5,626,242	A *	5/1997	Weizer	211/60.1
D404,952	S *	2/1999	Bauer	D6/552
D472,091	S *	3/2003	Bell	D6/552
D475,878	S *	6/2003	Knable, III	D6/552
6,739,462	B1 *	5/2004	Kelly	211/14
D492,871	S *	7/2004	Alves	D6/552
D493,056	S *	7/2004	Shornak	D6/552

* cited by examiner

Primary Examiner—Brian N Vinson

(74) *Attorney, Agent, or Firm*—Clements Walker; Richard
A. Walker

1 Claim, 7 Drawing Sheets



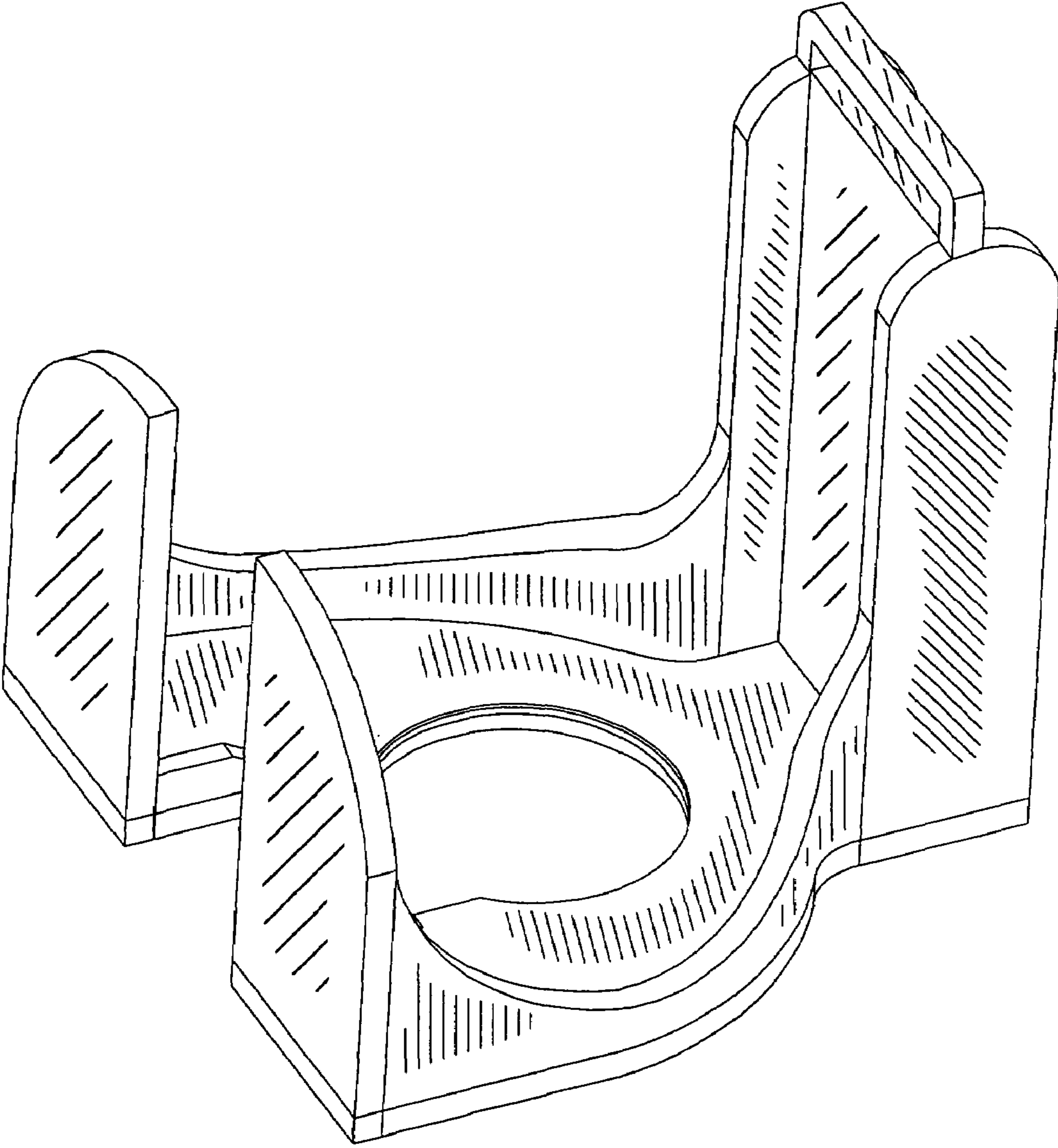


FIG. 1

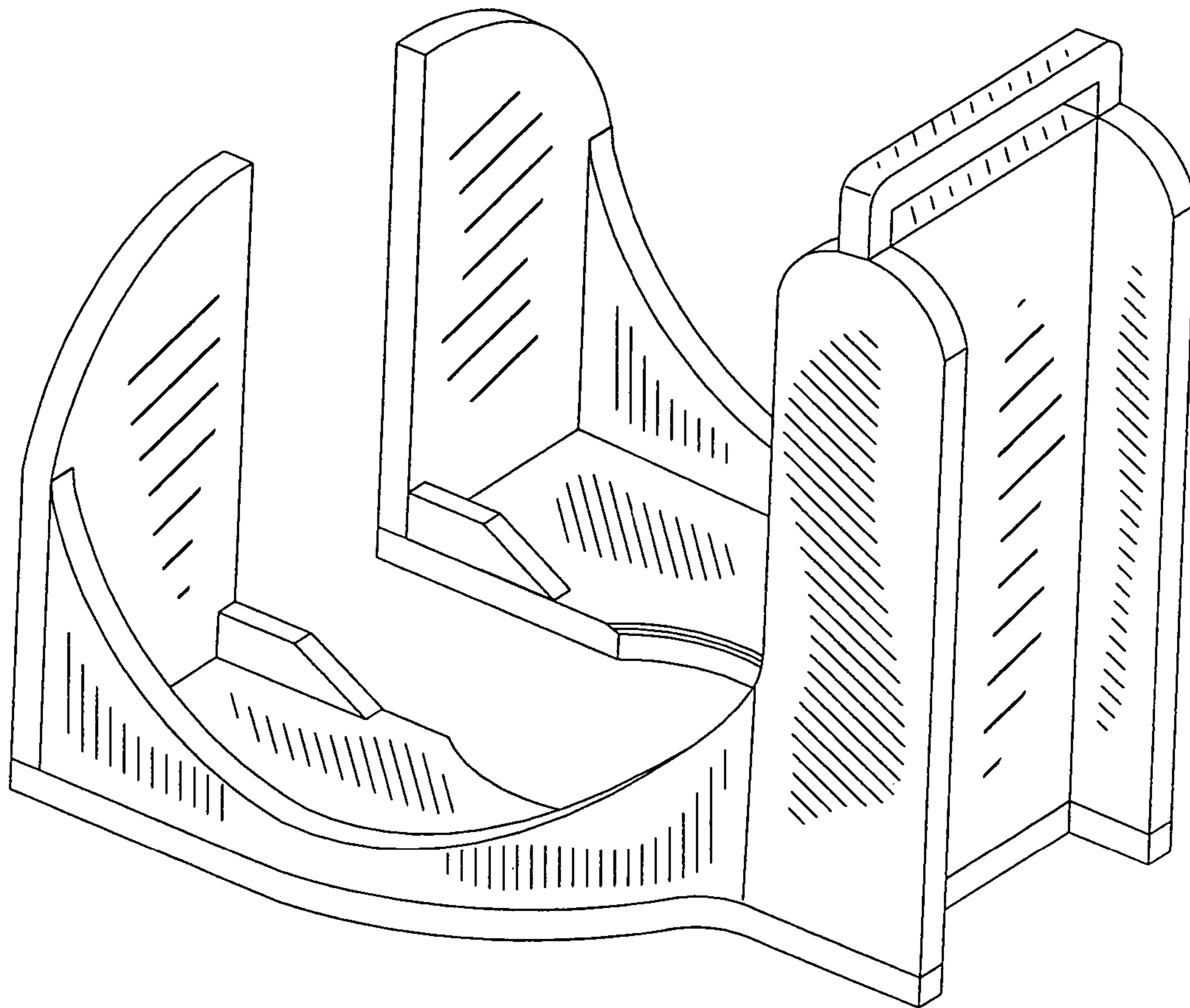


FIG. 2

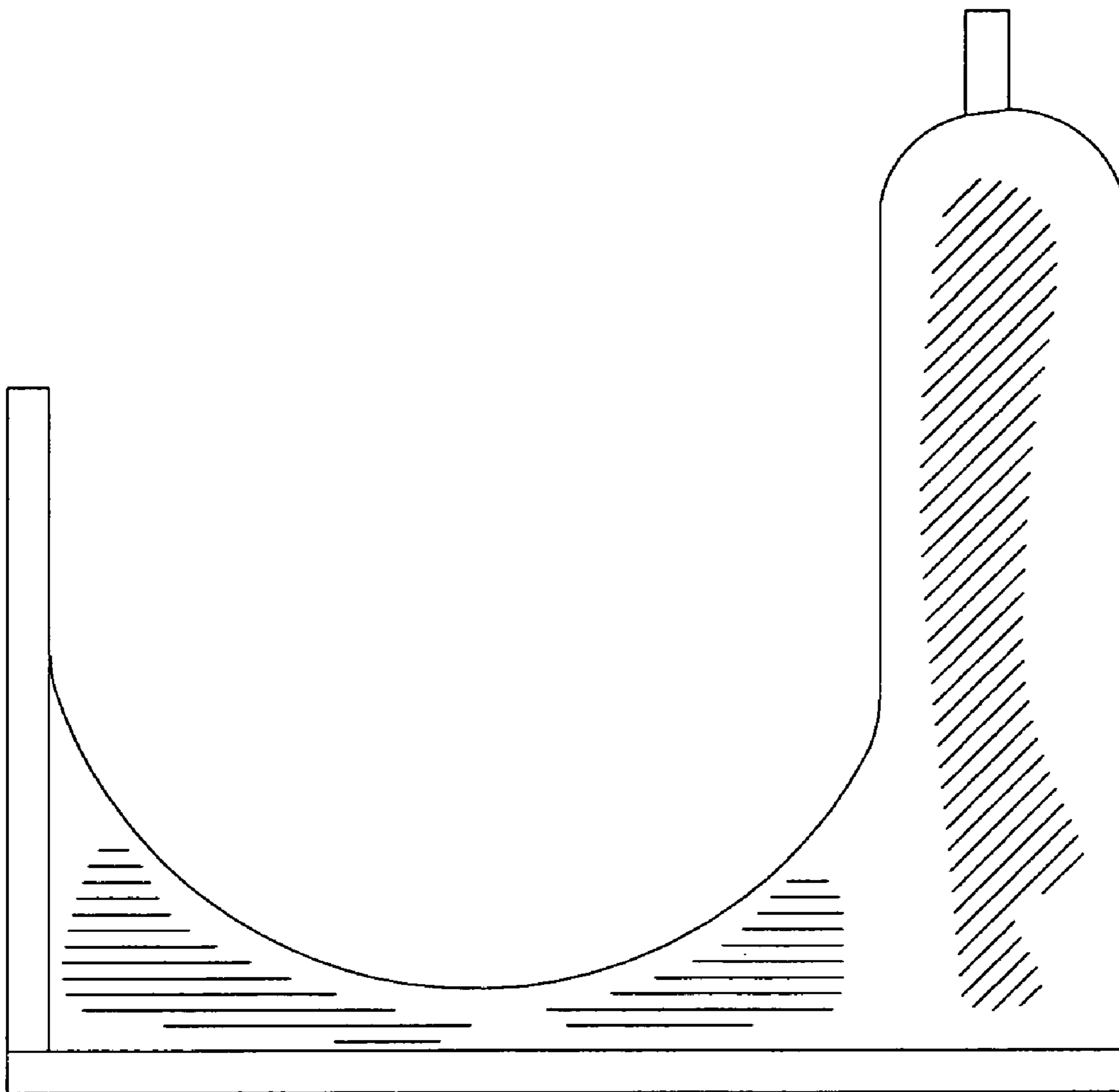


FIG. 3

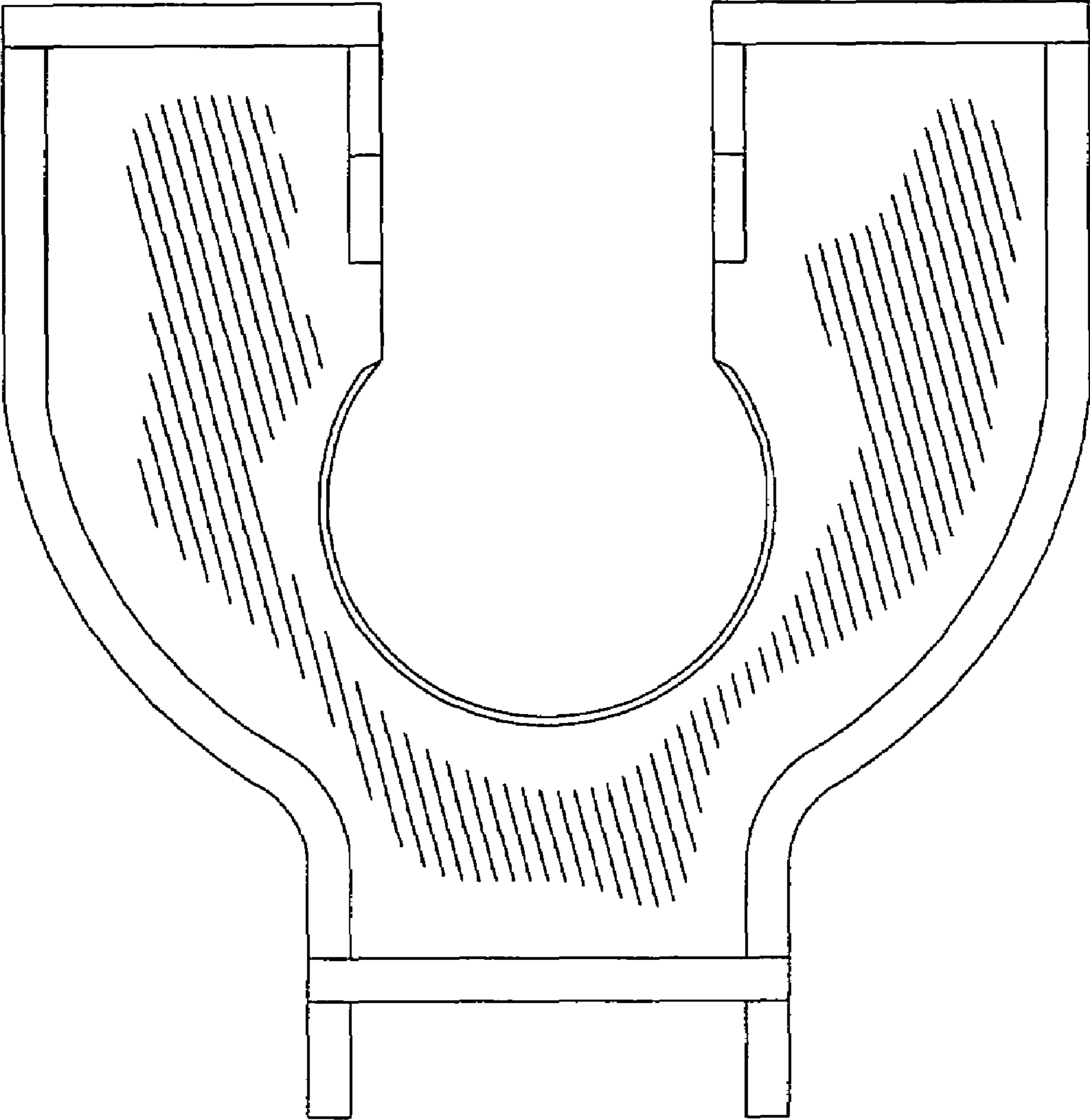


FIG. 4

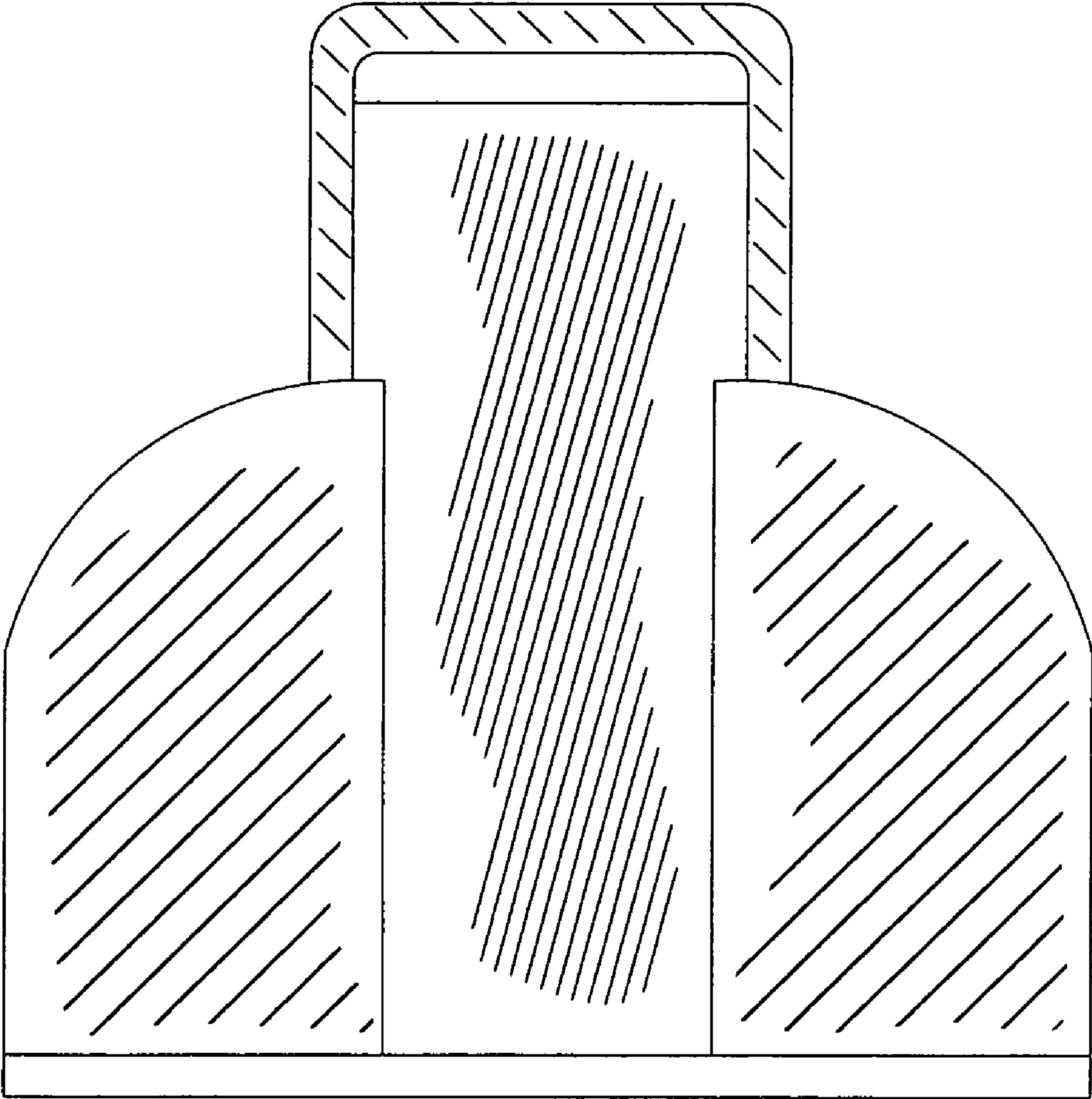


FIG. 5

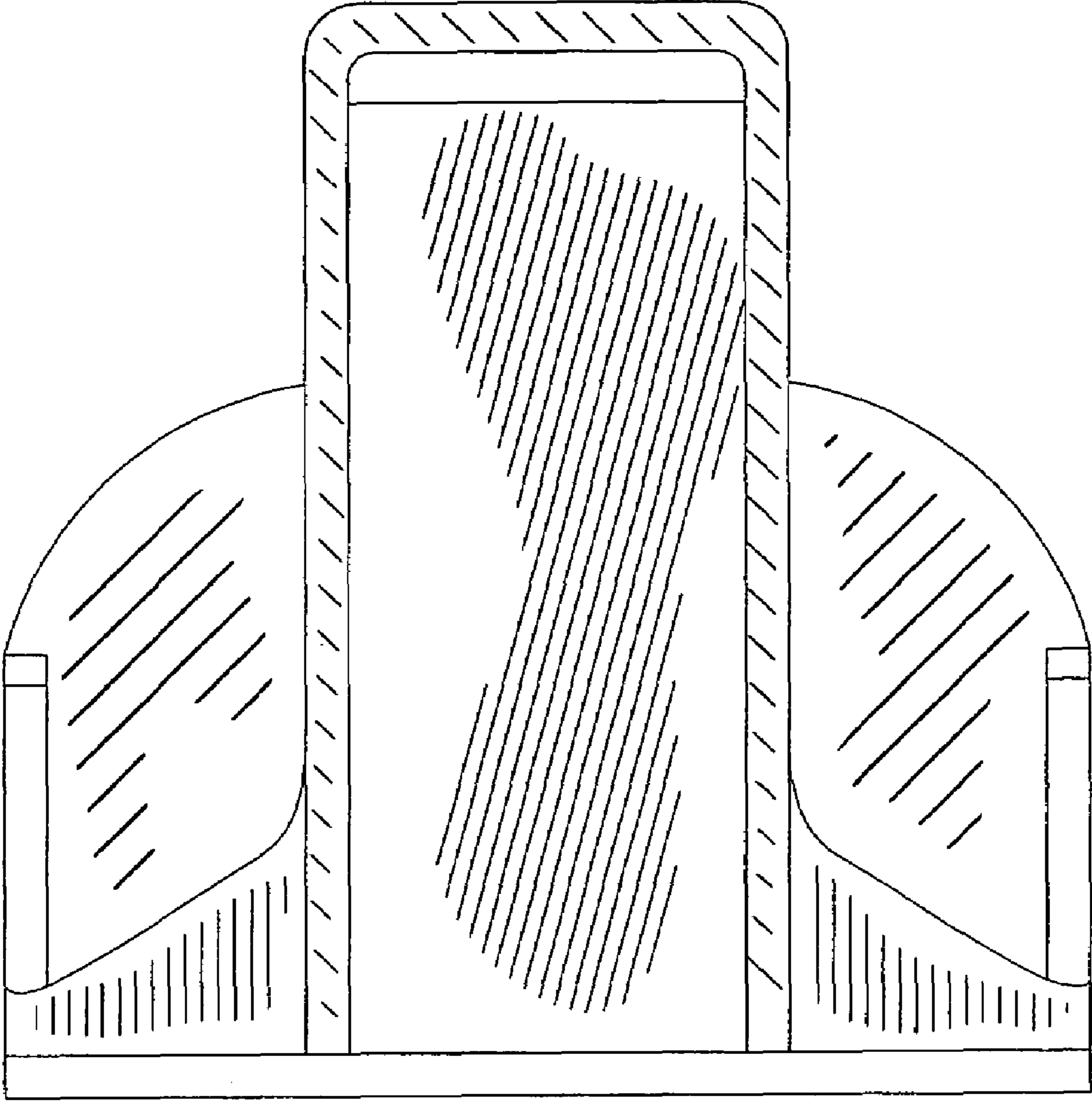


FIG. 6

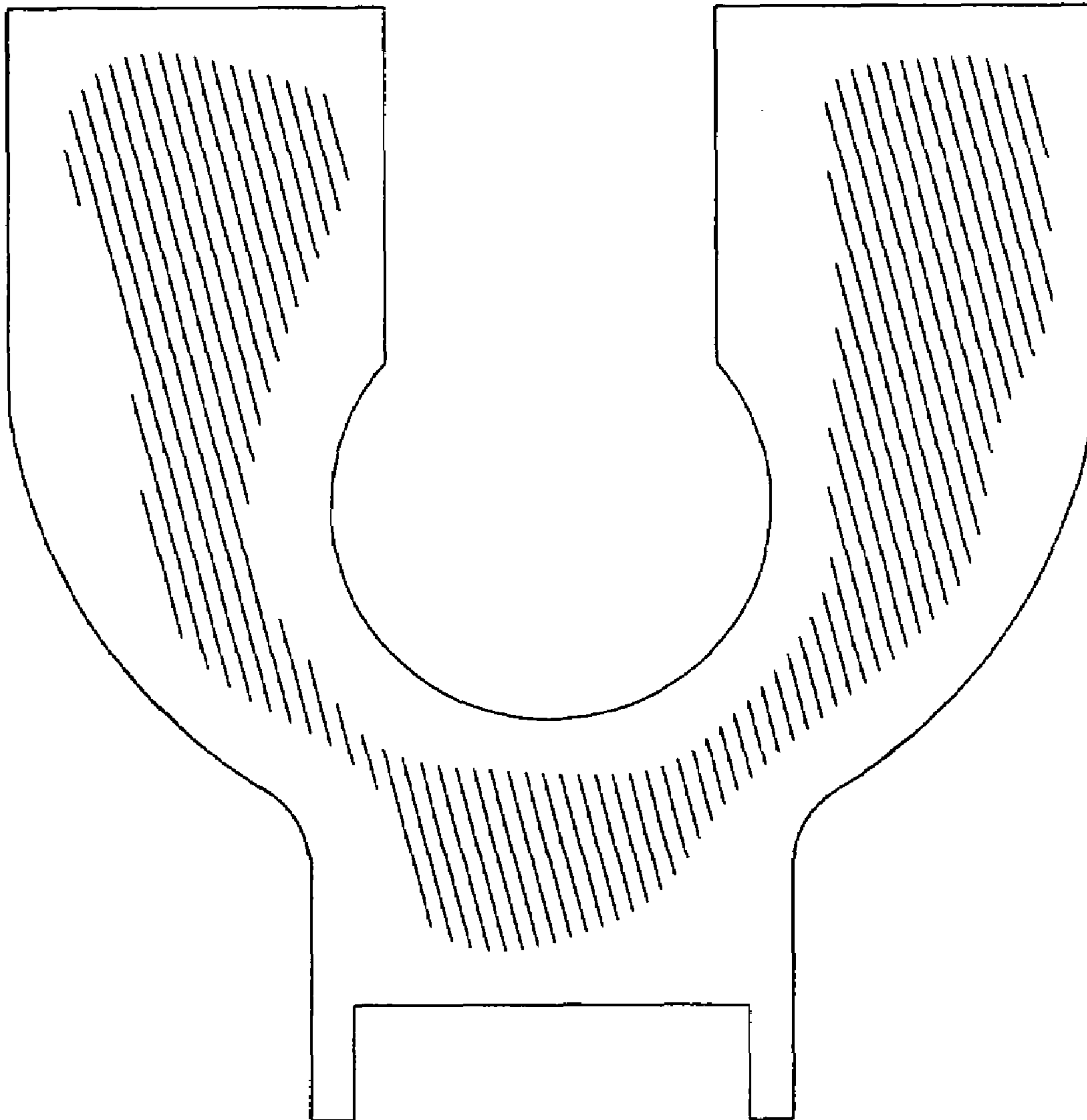


FIG. 7