

US00D560086S

(12) **United States Design Patent**  
**Baek et al.**

(10) **Patent No.:** **US D560,086 S**  
(45) **Date of Patent:** **\*\* Jan. 22, 2008**

(54) **HOLDER FOR SUPPORTING A ROLL FILM**

(75) Inventors: **Yang Hyun Baek**, Jeonrabuk-do (KR);  
**Han Bitt Joo**, Gyeonggi-do (KR)

(73) Assignee: **LG Electronics Inc.**, Seoul (KR)

(\*\*) Term: **14 Years**

(21) Appl. No.: **29/262,359**

(22) Filed: **Jul. 3, 2006**

(30) **Foreign Application Priority Data**

Jan. 10, 2006 (KR) ..... 30-2006-0000974

(51) **LOC (8) Cl.** ..... **20-02**

(52) **U.S. Cl.** ..... **D6/518**

(58) **Field of Classification Search** ..... D6/515-523;  
242/570, 590, 595, 596, 598; 206/308, 389,  
206/413

See application file for complete search history.

(56) **References Cited**

**U.S. PATENT DOCUMENTS**

671,576 A \* 4/1901 Barnett ..... 242/596  
D300,492 S \* 4/1989 Pearce ..... D6/518  
D306,945 S \* 4/1990 Lucchini ..... D6/518  
D327,192 S \* 6/1992 Geuvjehizian ..... D6/518

D356,458 S \* 3/1995 Wobschall ..... D6/518  
5,662,288 A \* 9/1997 Chiang ..... 242/596  
D410,356 S \* 6/1999 Ardito ..... D6/518  
D426,991 S \* 6/2000 Kent, Jr. .... D6/518  
D441,577 S \* 5/2001 Benedetti ..... D6/518

\* cited by examiner

*Primary Examiner*—Brian N Vinson

(74) *Attorney, Agent, or Firm*—Birch, Stewart, Kolasch & Birch, LLP

(57) **CLAIM**

We claim the ornamental design for holder for supporting a roll film, as shown and described.

**DESCRIPTION**

FIG. 1 is a perspective view of holder for supporting a roll film showing the new design:

FIG. 2 is a front elevation view thereof;

FIG. 3 is a rear elevation view thereof;

FIG. 4 is a left-side elevation view thereof;

FIG. 5 is a right-side elevation view thereof;

FIG. 6 is a top plan view thereof; and,

FIG. 7 is a bottom plan view thereof.

**1 Claim, 4 Drawing Sheets**

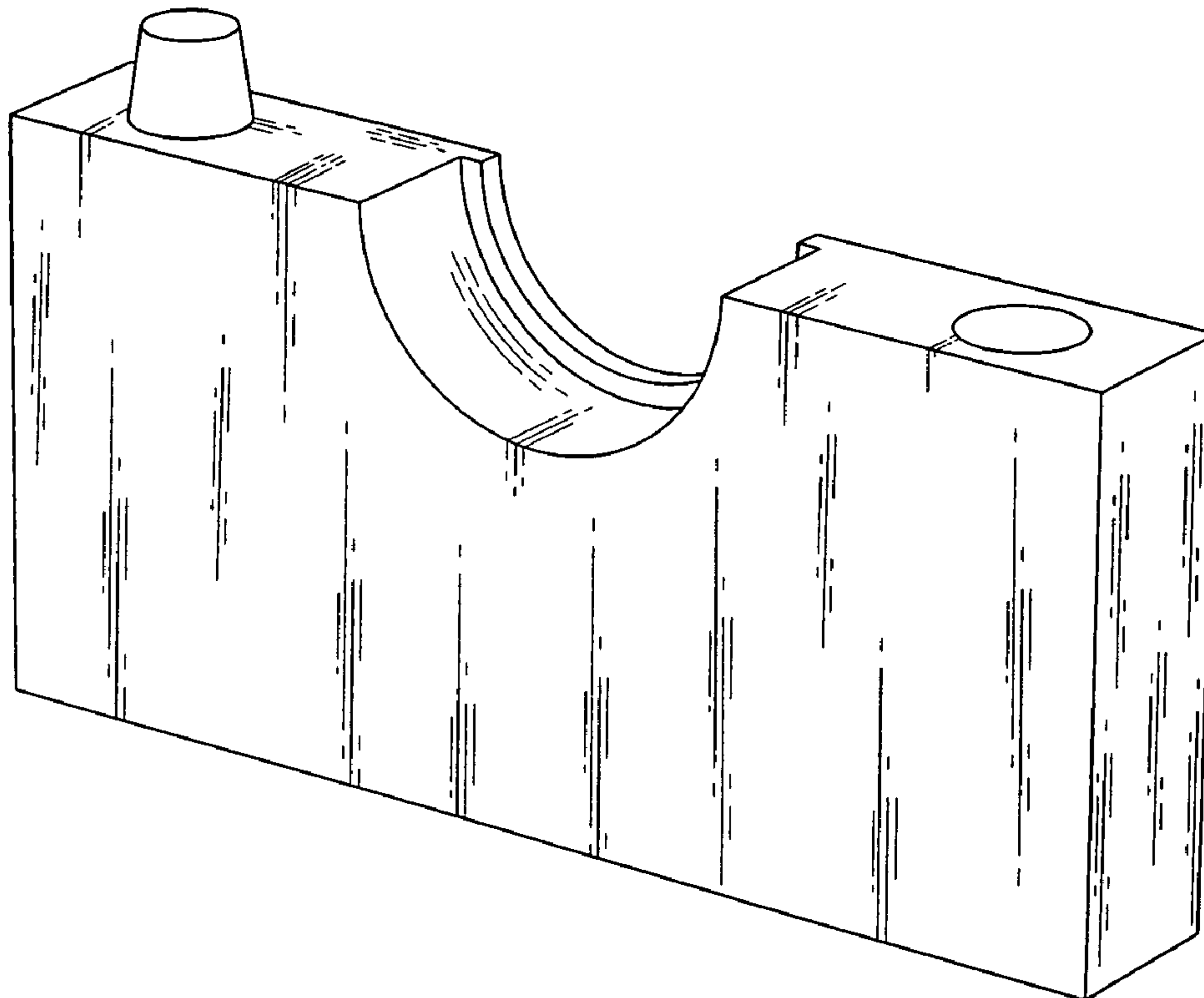


FIG. 1

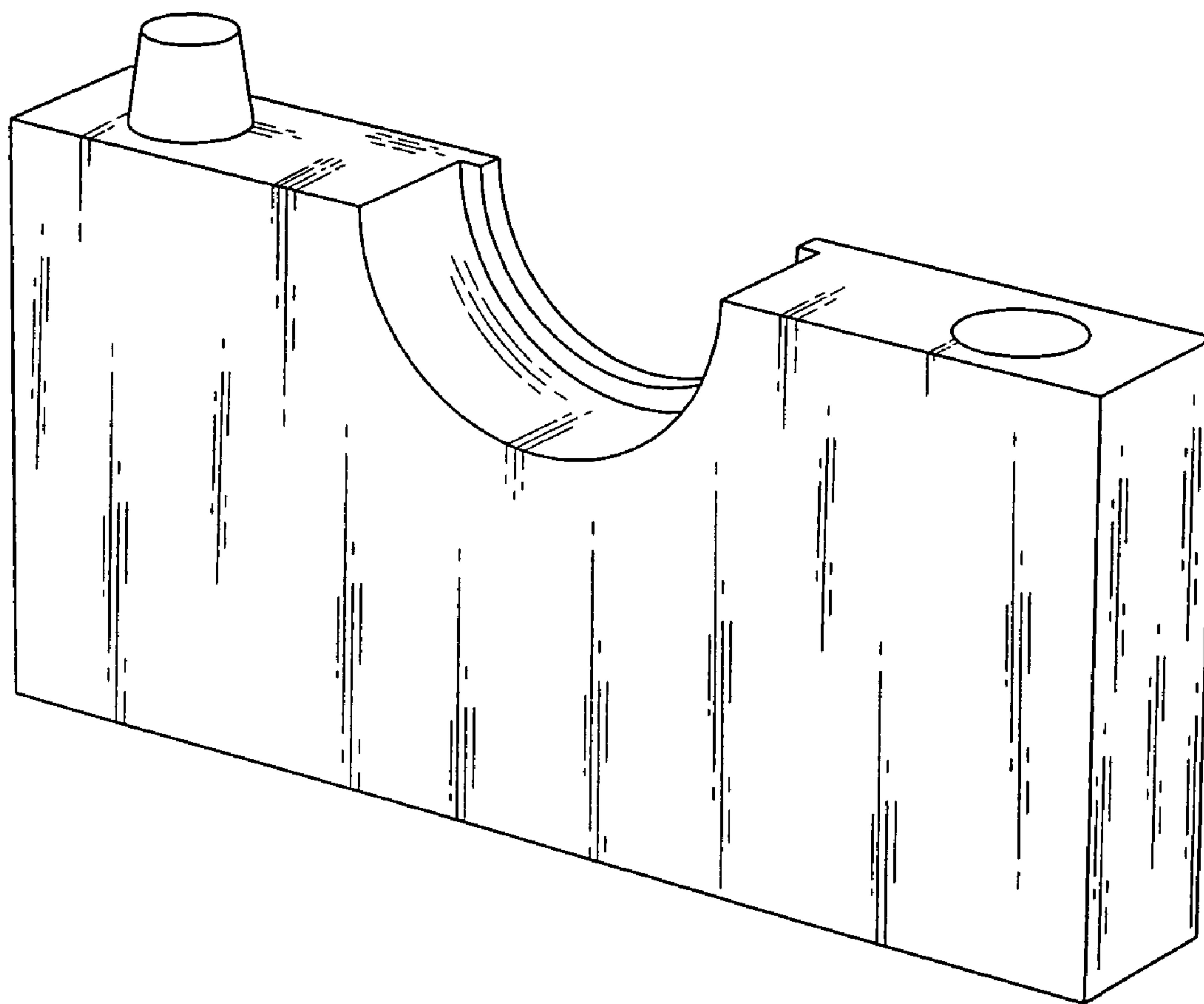


FIG. 2

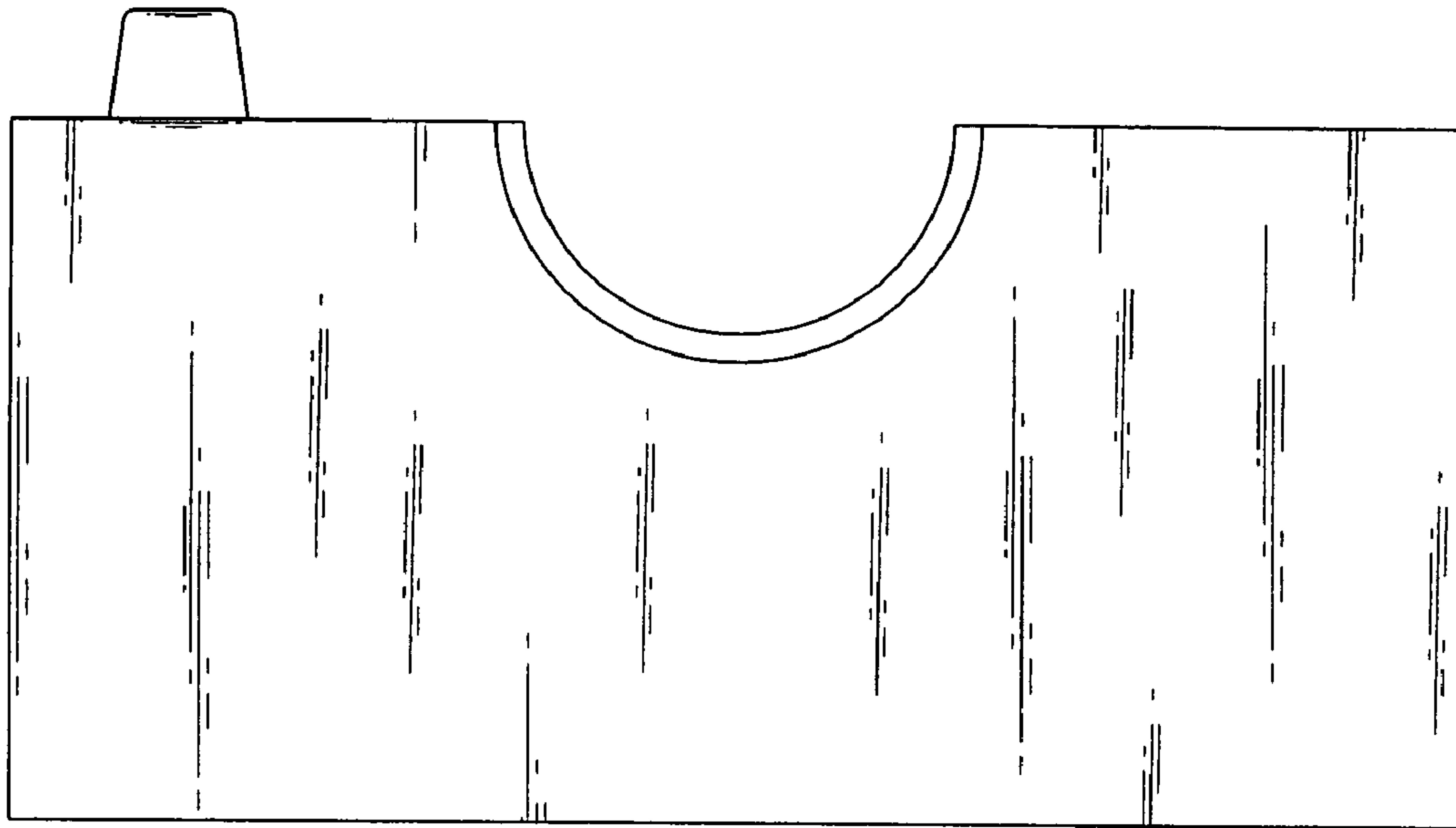


FIG. 3

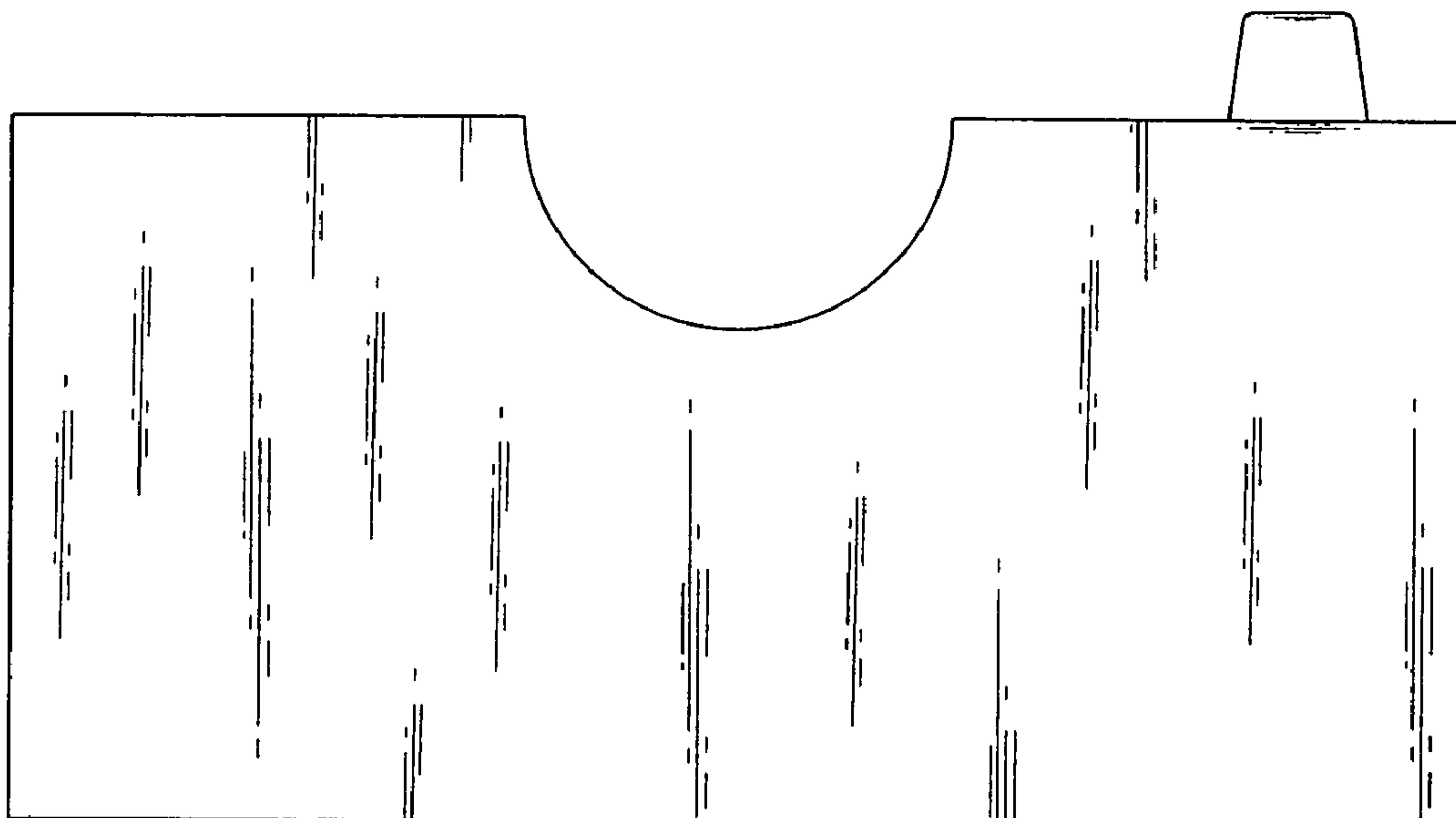


FIG. 4

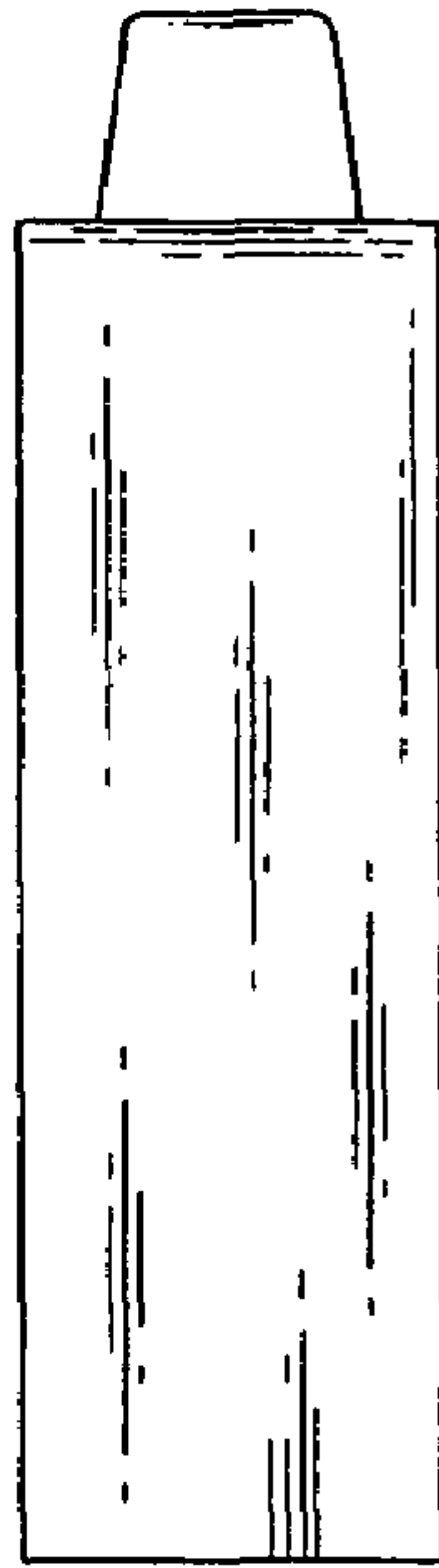


FIG. 5

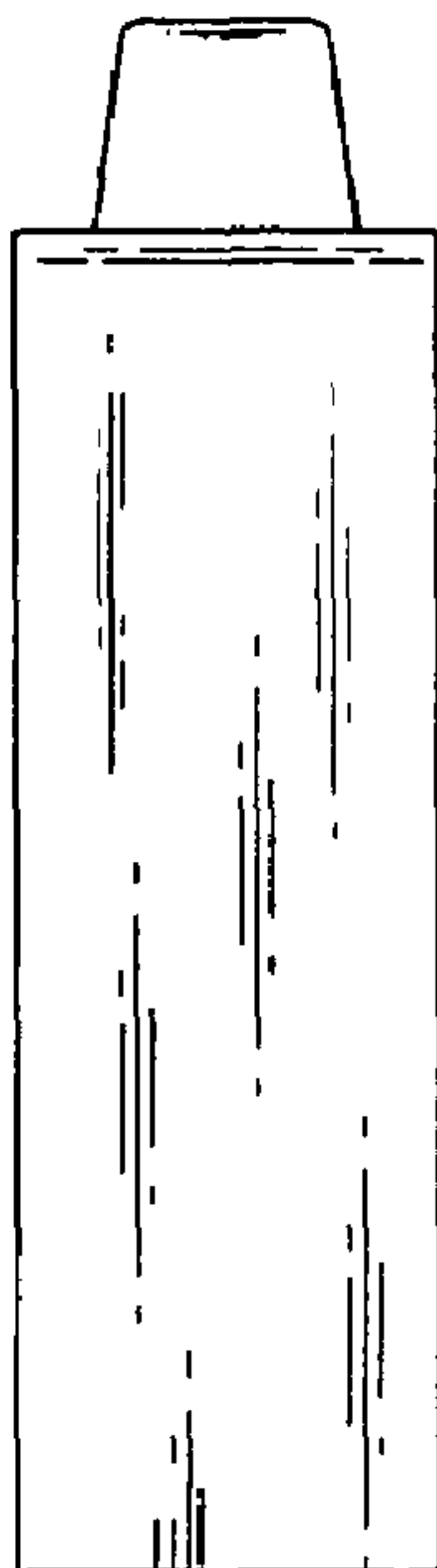


FIG. 6

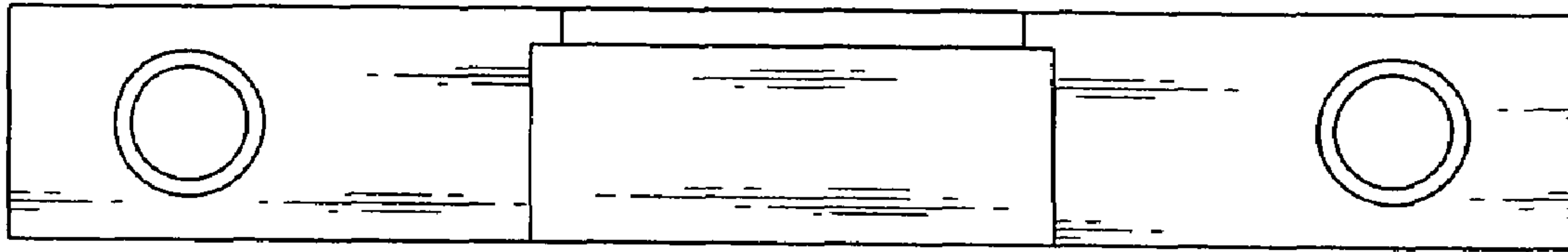


FIG. 7

