



US00D560084S

(12) **United States Design Patent**
Glass et al.

(10) **Patent No.:** **US D560,084 S**

(45) **Date of Patent:** **** *Jan. 22, 2008**

(54) **TABLE**

(75) Inventors: **Peter Glass**, Arroyo Grande, CA (US);
Robert J. Mills, Torrance, CA (US)

(73) Assignee: **Virco Mgmt. Corporation**, Torrance,
CA (US)

(*) Notice: This patent is subject to a terminal dis-
claimer.

(**) Term: **14 Years**

(21) Appl. No.: **29/265,137**

(22) Filed: **Aug. 24, 2006**

(51) **LOC (8) Cl.** **06-06**

(52) **U.S. Cl.** **D6/499**

(58) **Field of Classification Search** D6/480-489,
D6/495-499, 429-431; 108/150, 151, 153.1,
108/161, 155, 156, 157.1, 144.11, 146, 147.19,
108/139, 147.2; 248/188.1, 188, 188.7, 188.8,
248/407

See application file for complete search history.

(56) **References Cited**

U.S. PATENT DOCUMENTS

D99,565 S	5/1936	Talbert	
D113,459 S	2/1939	Haag	
D168,787 S	2/1953	Florian et al.	
D170,004 S	7/1953	Chapman et al.	
D170,006 S	7/1953	Chapman et al.	
D177,297 S	3/1956	Wright	
D177,298 S	3/1956	Wright	
D178,408 S	7/1956	Konkle	
D180,283 S *	5/1957	Hoven	D6/487
D183,442 S	8/1958	Williams	
D216,710 S	3/1970	Lambert et al.	
D257,653 S *	12/1980	Berlic	D6/480
D273,163 S	3/1984	Halme	
D306,105 S	2/1990	Newhouse	
D321,447 S	11/1991	Newhouse	
D335,787 S	5/1993	Hollington	

D386,631 S	11/1997	Meier et al.	
D399,682 S *	10/1998	Lepper et al.	D6/484
D410,806 S *	6/1999	Olson et al.	D6/484
D435,366 S	12/2000	McClintock	
D437,152 S *	2/2001	Brown et al.	D6/495
D452,783 S	1/2002	Hecht	
D456,170 S	4/2002	Chang	
D463,166 S	9/2002	Russell et al.	
D473,068 S	4/2003	Holbrook et al.	
D473,399 S	4/2003	Holbrook et al.	
D473,728 S	4/2003	Chang	

(Continued)

OTHER PUBLICATIONS

Artco-Bell Corporation "Product Catalog", p. 22, model C800,
undated.

KI Intellect Two-Student Table, www.ki.com, Feb. 28, 2006.

(Continued)

Primary Examiner—Janice E. Seeger

(74) *Attorney, Agent, or Firm*—Virco Mgmt. Corporation;
Robert M. Hupe

(57) **CLAIM**

The ornamental design for a "table," as shown and
described.

DESCRIPTION

FIG. 1 is a top perspective view of a table showing my new
design;

FIG. 2 is a front plan view thereof, the back plan view being
a mirror image;

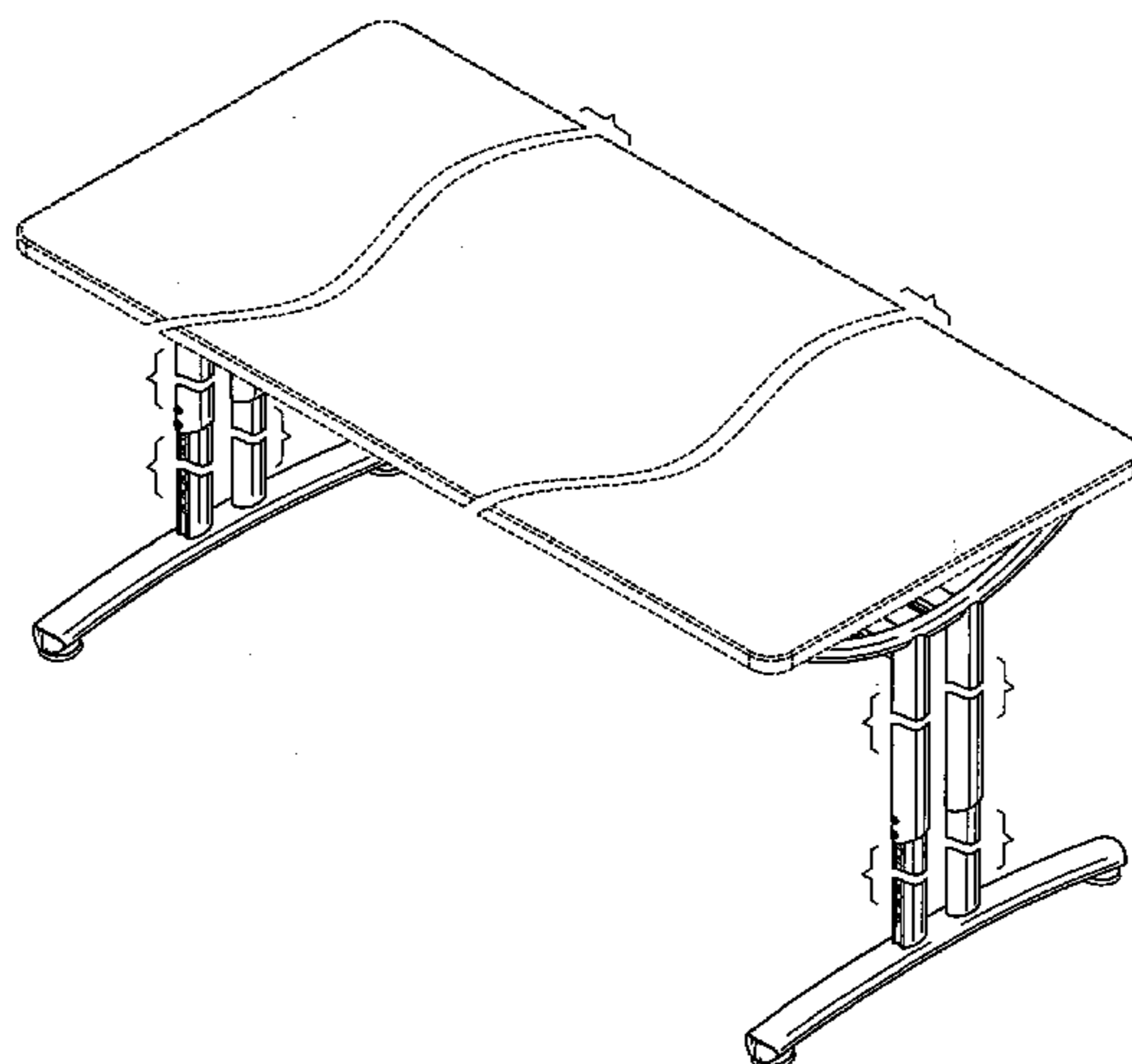
FIG. 3 is a left side view thereof, the opposite side view
being a mirror image thereof;

FIG. 4 is a bottom view thereof; and,

FIG. 5 is a bottom perspective view thereof.

The broken lines are for illustrative purposes only and form
no part of the claimed design.

1 Claim, 5 Drawing Sheets



US D560,084 S

Page 2

U.S. PATENT DOCUMENTS

D474,044 S 5/2003 Holbrook et al.
D474,049 S 5/2003 Wakasugi
D486,679 S * 2/2004 Linder D6/511
D487,854 S 3/2004 Tsai
D488,940 S 4/2004 Tsai
D489,922 S * 5/2004 Choi et al. D6/499
D498,091 S * 11/2004 Winter et al. D6/495
D501,741 S * 2/2005 Risdall D6/480
D507,710 S 7/2005 Fletcher et al.
D510,670 S 10/2005 Glass et al.
D516,344 S 3/2006 Cox

7,036,437 B2 * 5/2006 Choi et al. 108/118
D523,663 S 6/2006 Risdall
2002/0148394 A1 * 10/2002 Strong 108/147.21

OTHER PUBLICATIONS

Royal Seating, Ltd., Total Furniture Solutions, p. 16, models 900D and 905D, and p. 17, model 910D, undated.
Scholar Craft, "School Furniture" catalog, p. 26, model 7950, 2003.
Smith System, "Furniture for Teaching and Technology" catalog, p. 35, models 01380 and 01361, 2004.

* cited by examiner

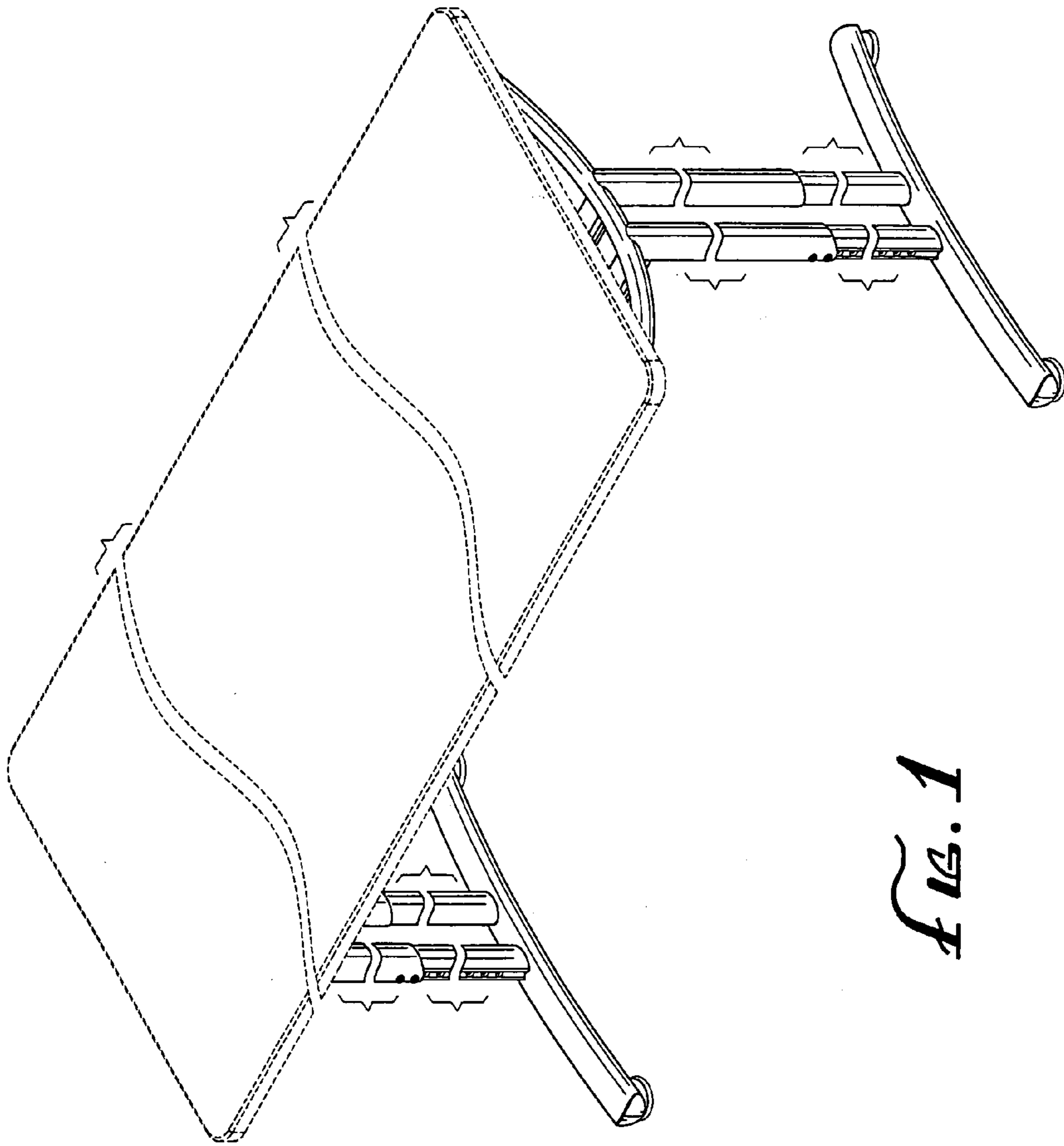


FIG. 1

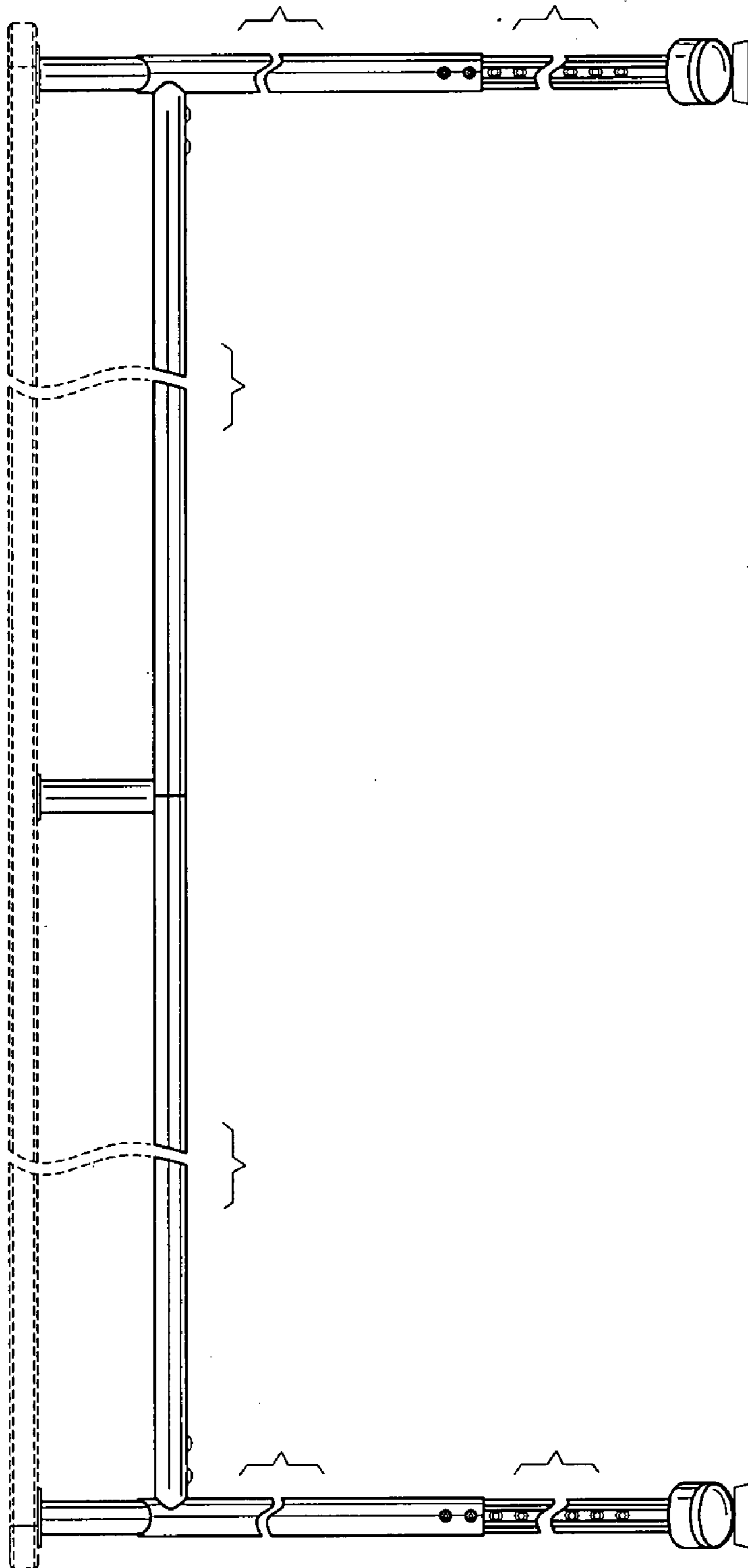


FIG. 2

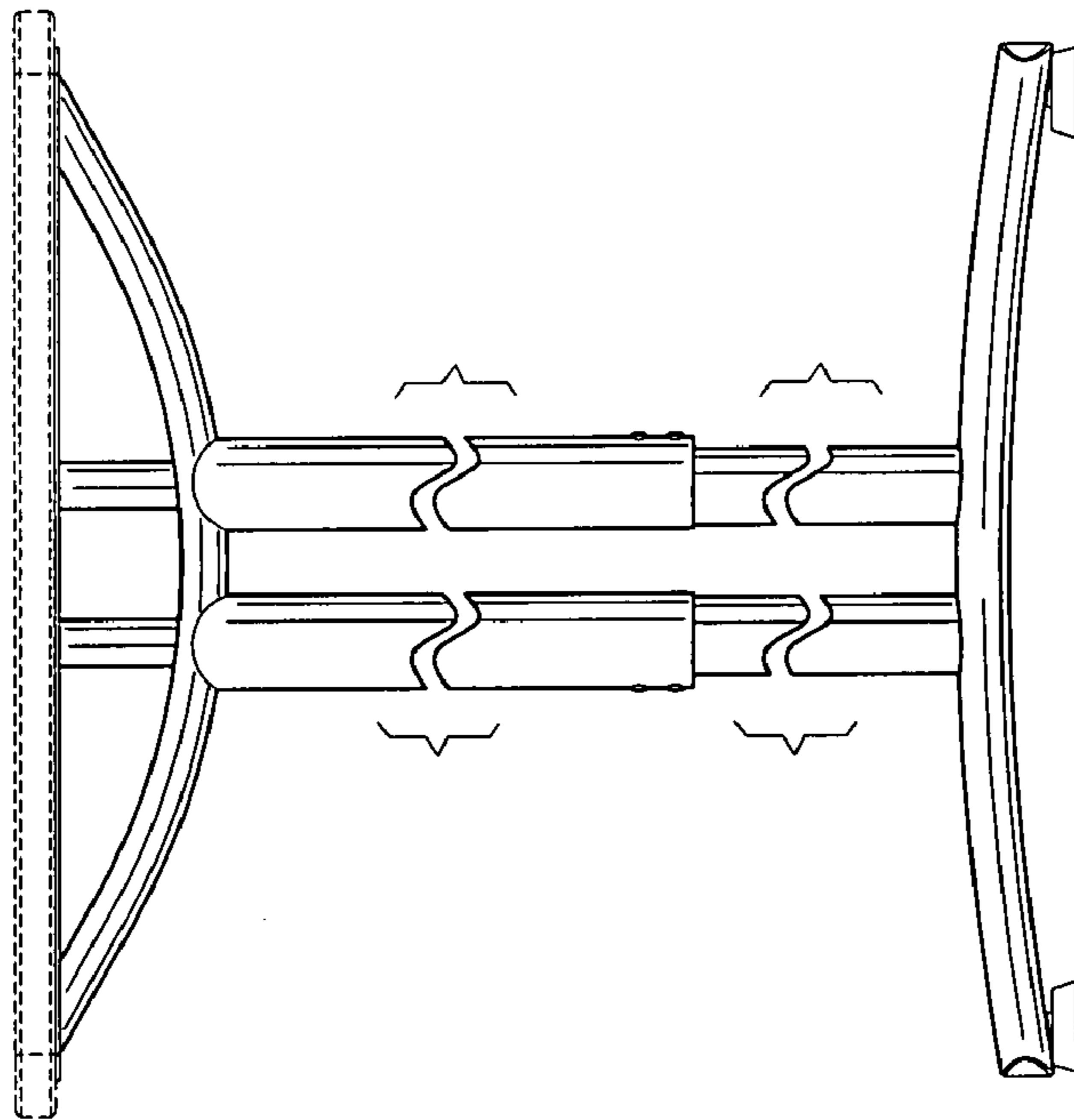


FIG. 3

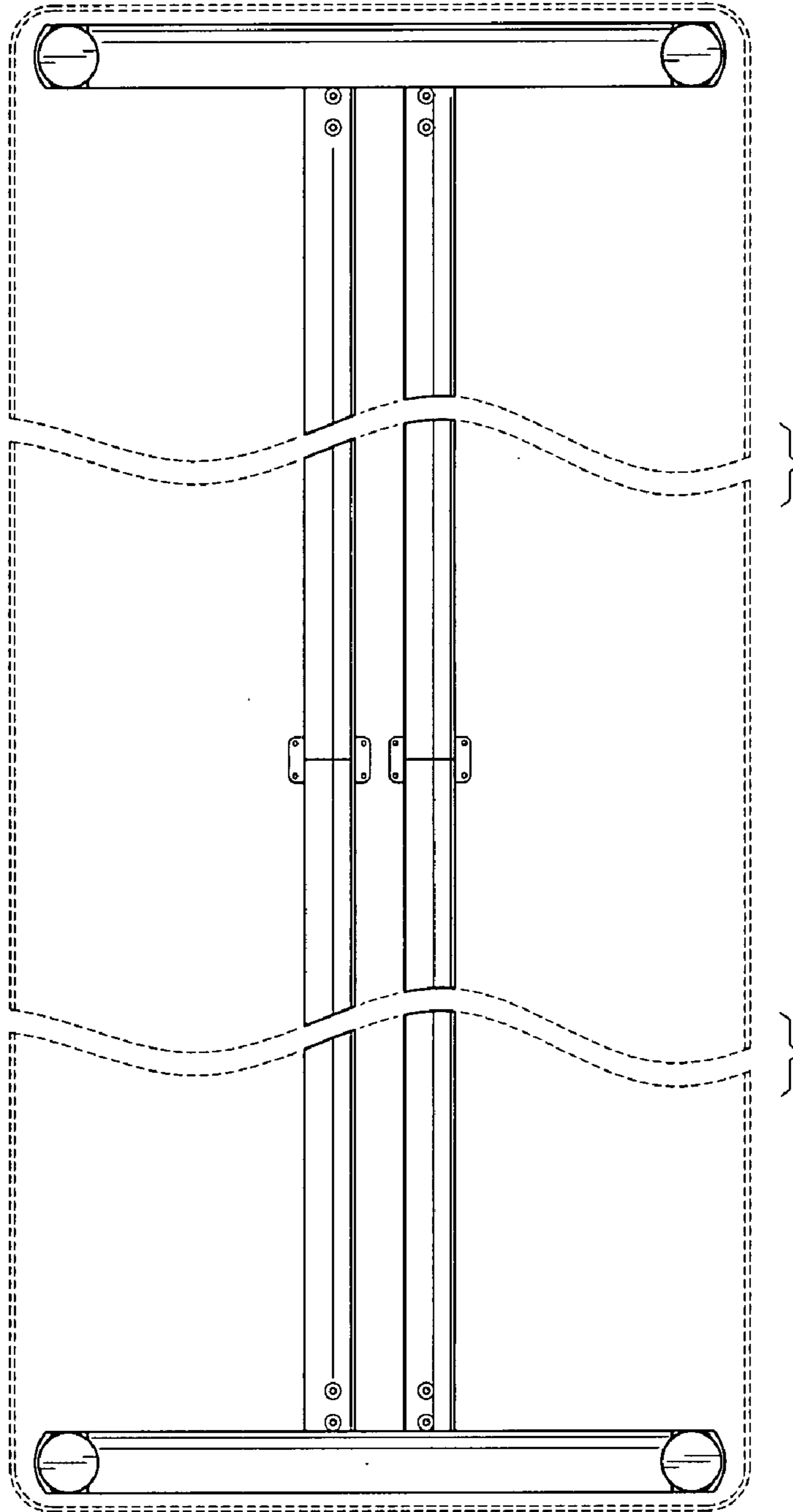


FIG. A

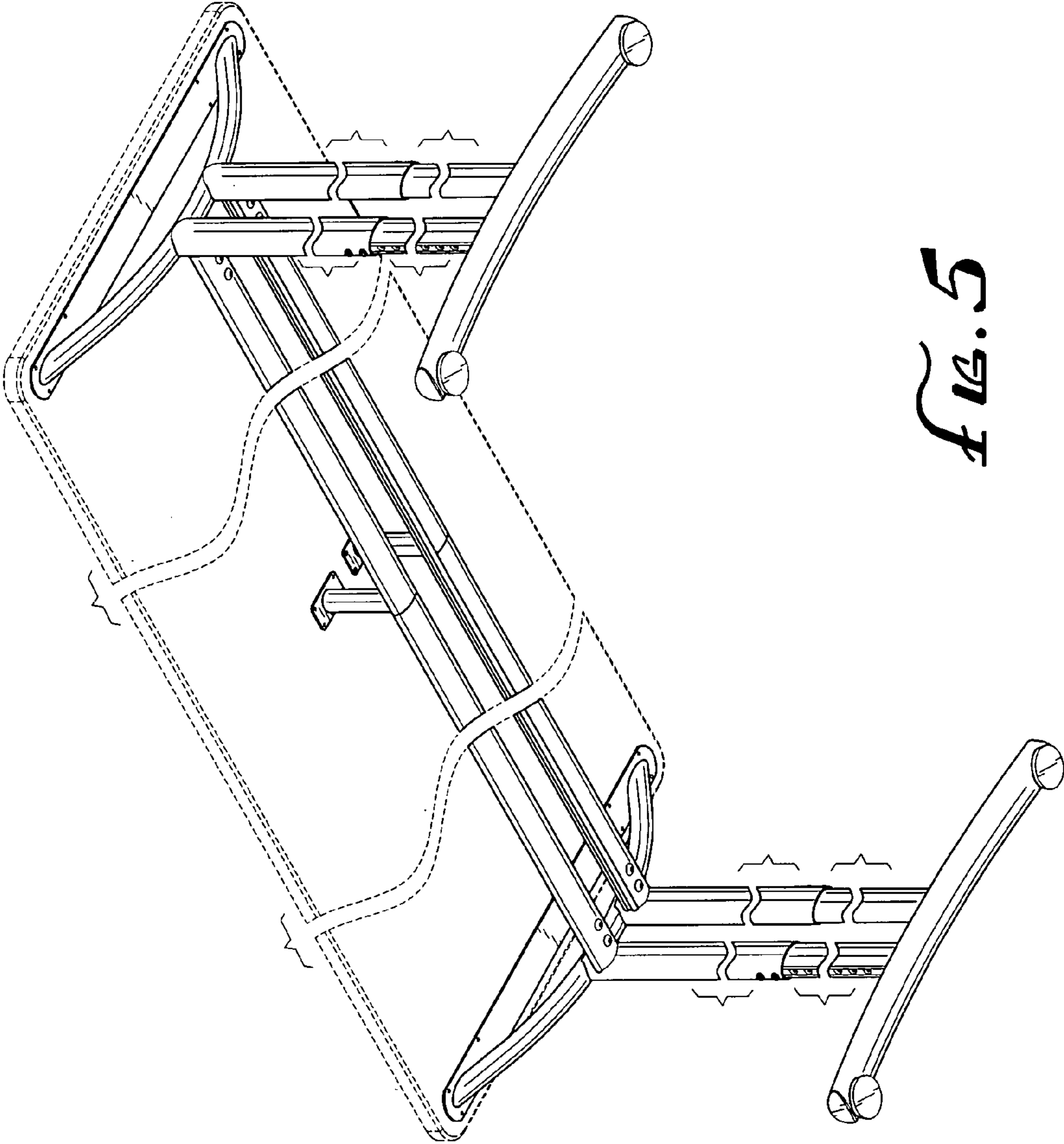


Fig. 5