



US00D560079S

(12) **United States Design Patent**  
**Mehmen**

(10) **Patent No.: US D560,079 S**  
(45) **Date of Patent: \*\* Jan. 22, 2008**

(54) **CABINET**

D532,991 S \* 12/2006 Gozzi et al. .... D6/439

(75) Inventor: **Robert Mehmen**, Shell Rock, IA (US)

\* cited by examiner

(73) Assignee: **Waterloo Industries, Inc.**, Waterloo, IA (US)

*Primary Examiner*—Mimosa De  
(74) *Attorney, Agent, or Firm*—Calfee, Halter & Griswold LLP

(\*\*) Term: **14 Years**

(21) Appl. No.: **29/285,632**

(22) Filed: **Apr. 4, 2007**

(51) **LOC (8) Cl.** ..... **06-04**

(52) **U.S. Cl.** ..... **D6/441**

(58) **Field of Classification Search** ..... D6/432-448;  
312/138.1, 204, 249.8, 237, 257.1, 297; D25/16;  
211/85.8

See application file for complete search history.

(56) **References Cited**

**U.S. PATENT DOCUMENTS**

D361,910 S *	9/1995	Maple et al. ....	D6/445
D364,468 S *	11/1995	Maple .....	D25/16
D365,154 S *	12/1995	Maple .....	D25/16
D375,168 S *	10/1996	Hunt et al. ....	D25/16
D394,562 S *	5/1998	Di Blasi .....	D6/446
D412,626 S *	8/1999	Johnson et al. ....	D6/433
6,039,417 A *	3/2000	Snoke et al. ....	312/257.1
D470,687 S *	2/2003	Binse et al. ....	D6/436
D476,824 S *	7/2003	Cockrell et al. ....	D6/436
D496,540 S *	9/2004	Moon et al. ....	D6/446
D511,632 S *	11/2005	Lown .....	D6/440
D520,264 S *	5/2006	Mehmen et al. ....	D6/441

(57) **CLAIM**

The ornamental design for a cabinet, as shown and described.

**DESCRIPTION**

FIG. 1 is a perspective view of a cabinet of the new design; FIG. 2 is a slightly reduced top plan view of the cabinet of FIG. 1;

FIG. 3 is a slightly reduced front elevational view of the cabinet of FIG. 1;

FIG. 4 is a slightly reduced rear elevational view of the cabinet of FIG. 1;

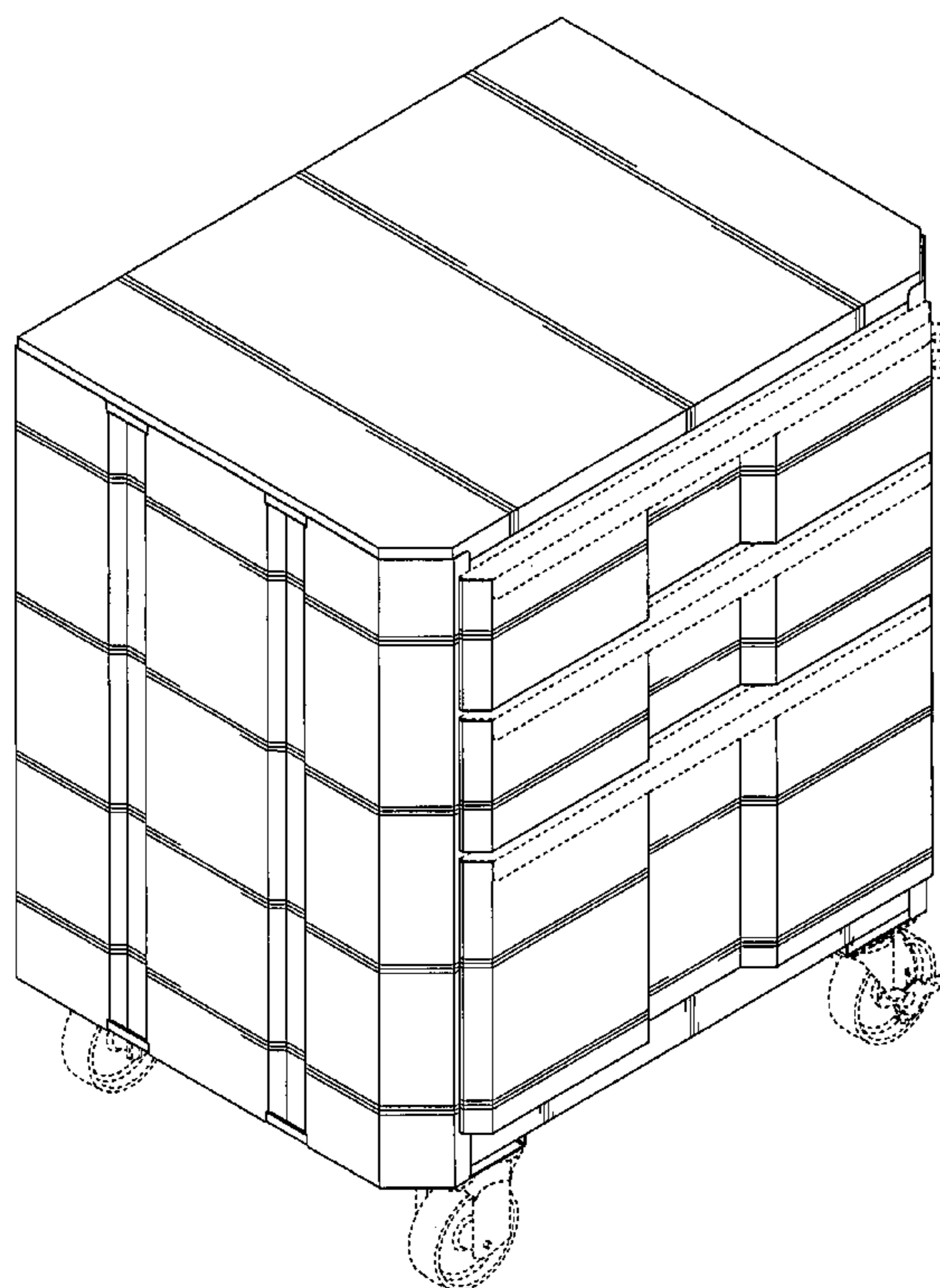
FIG. 5 is a slightly reduced bottom plan view of the cabinet of FIG. 1;

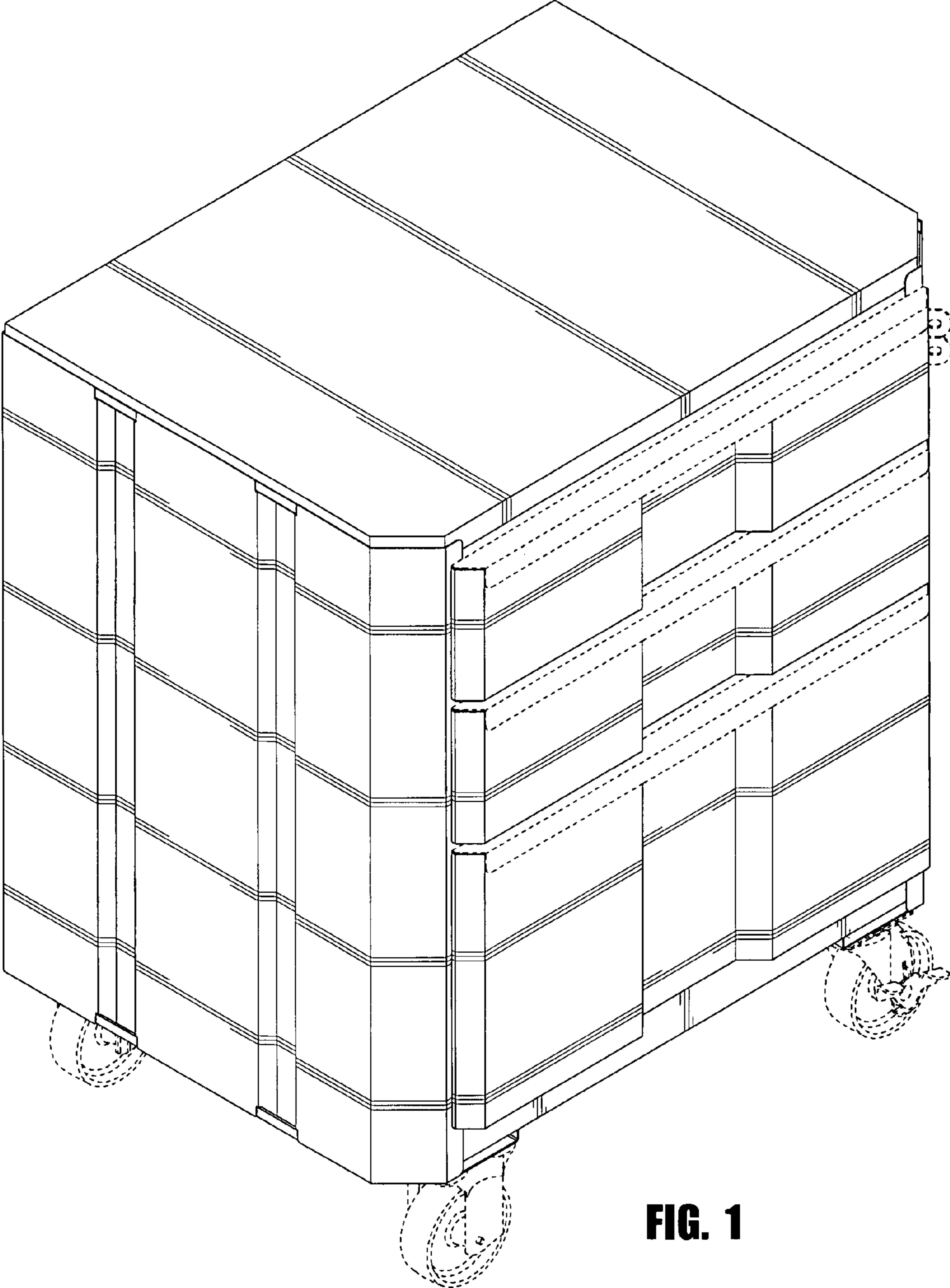
FIG. 6 is a slightly reduced right side elevational view of the cabinet of FIG. 1; and,

FIG. 7 is a slightly reduced left side elevational view of the cabinet of FIG. 1.

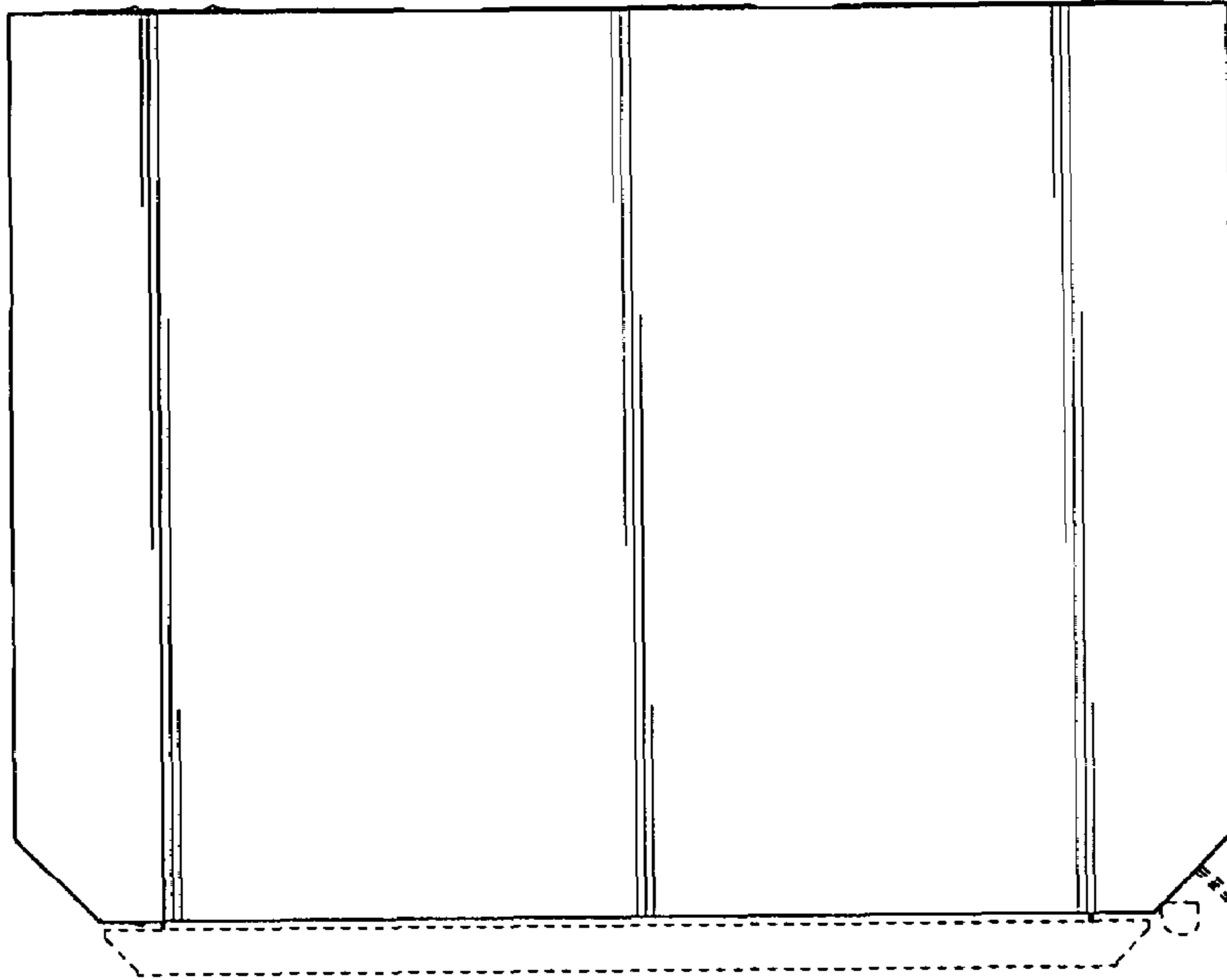
The portions of the Figures shown in broken lines are not part of the claimed design and are for illustration only.

**1 Claim, 4 Drawing Sheets**

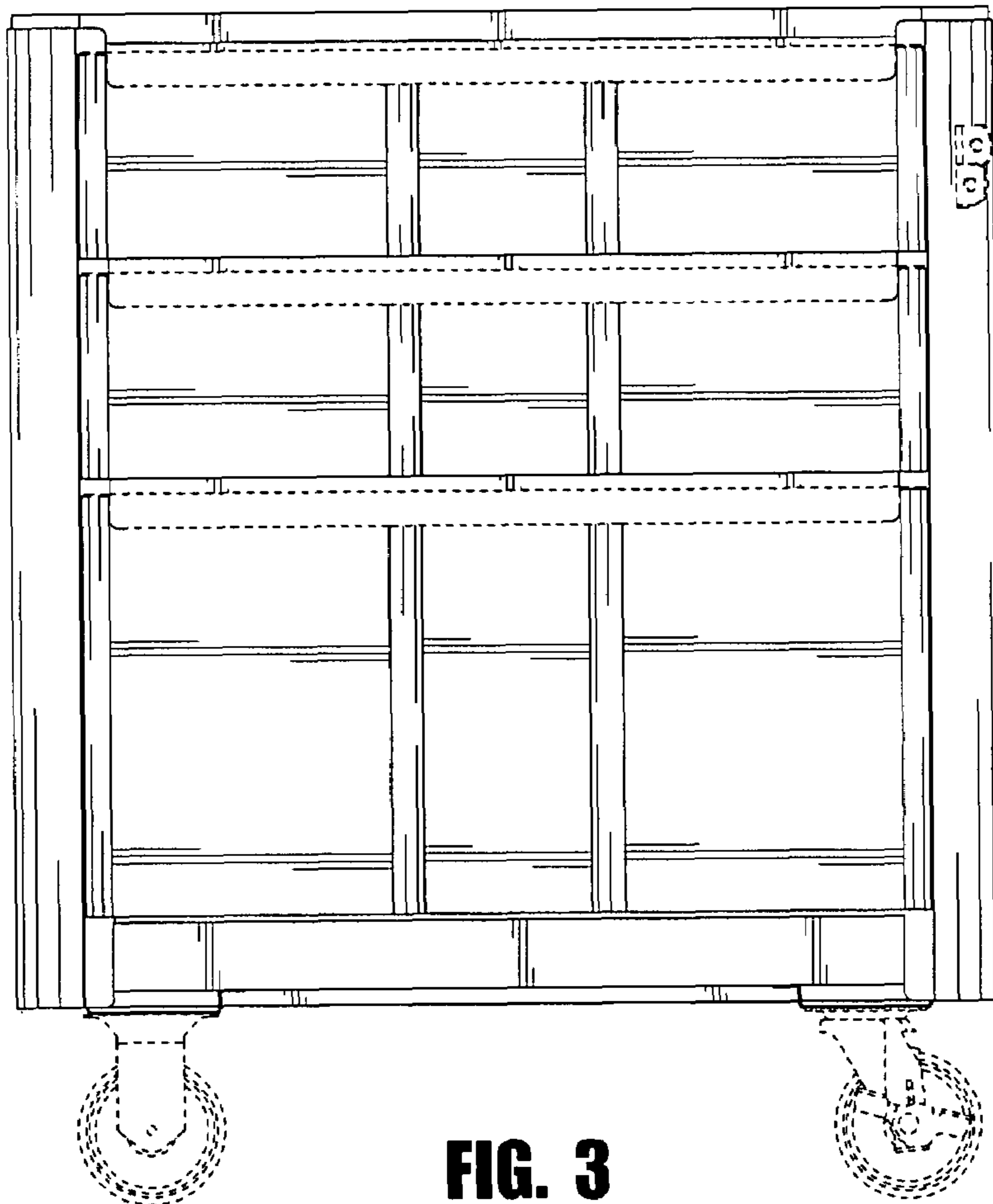




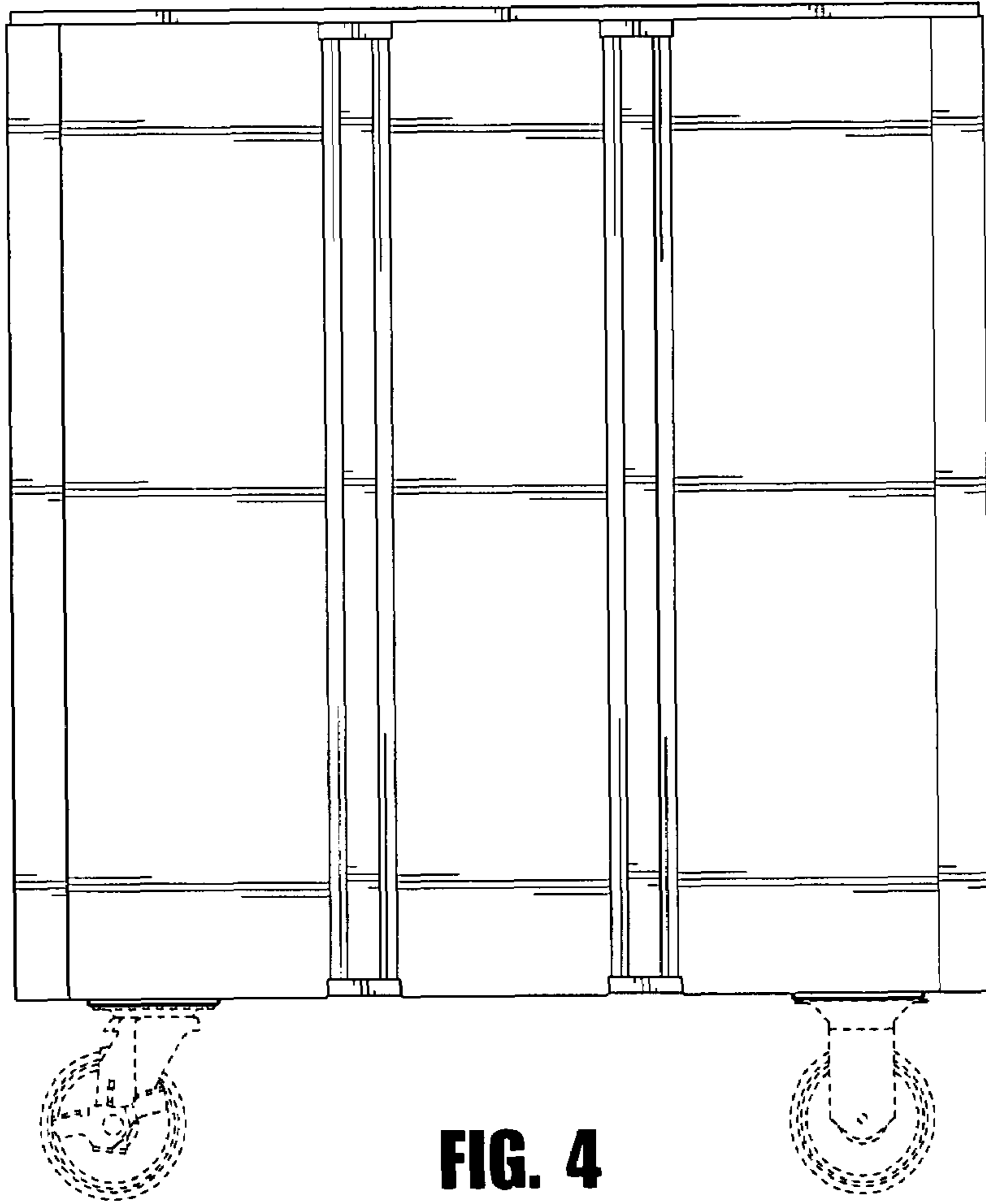
**FIG. 1**



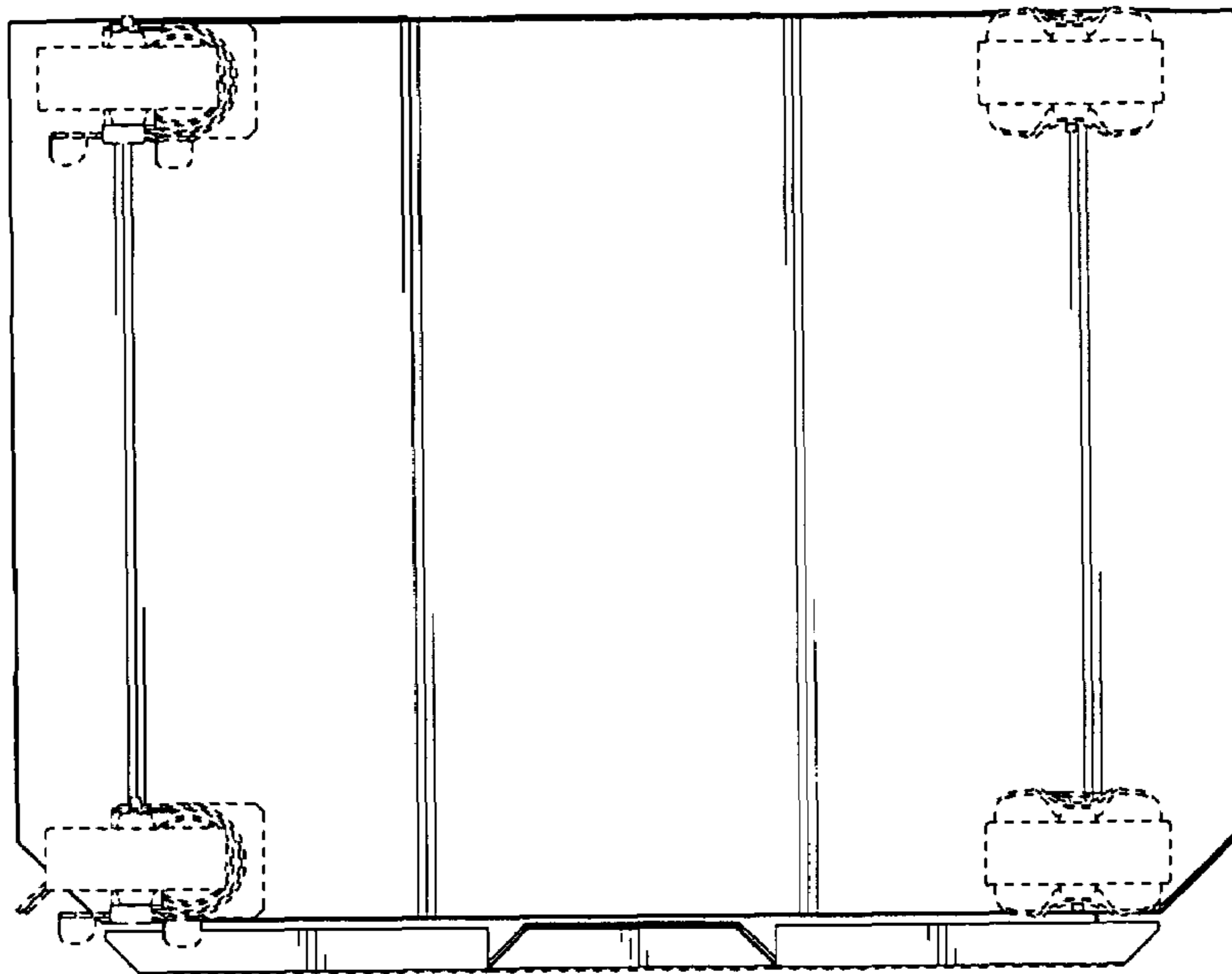
**FIG. 2**



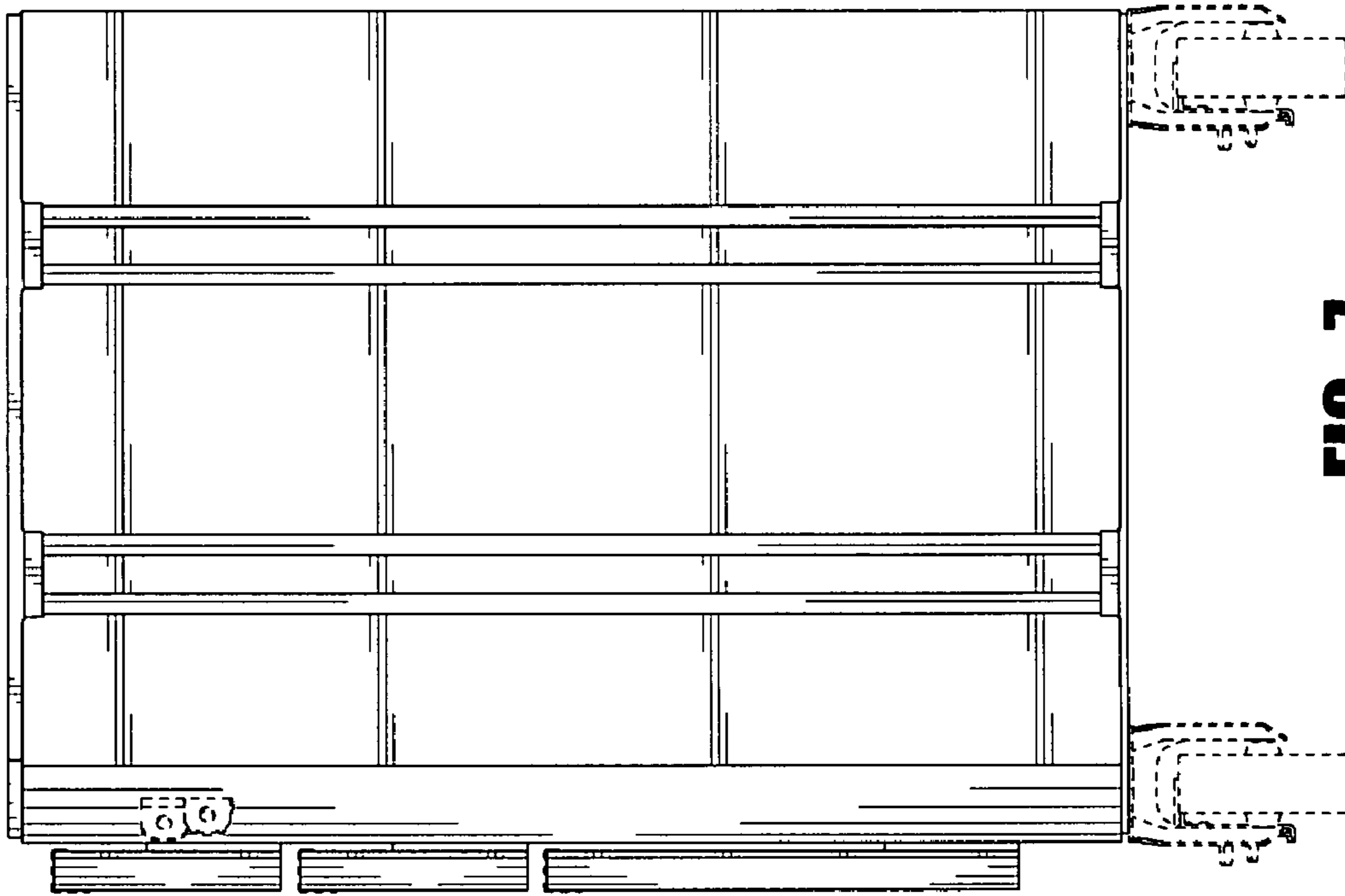
**FIG. 3**



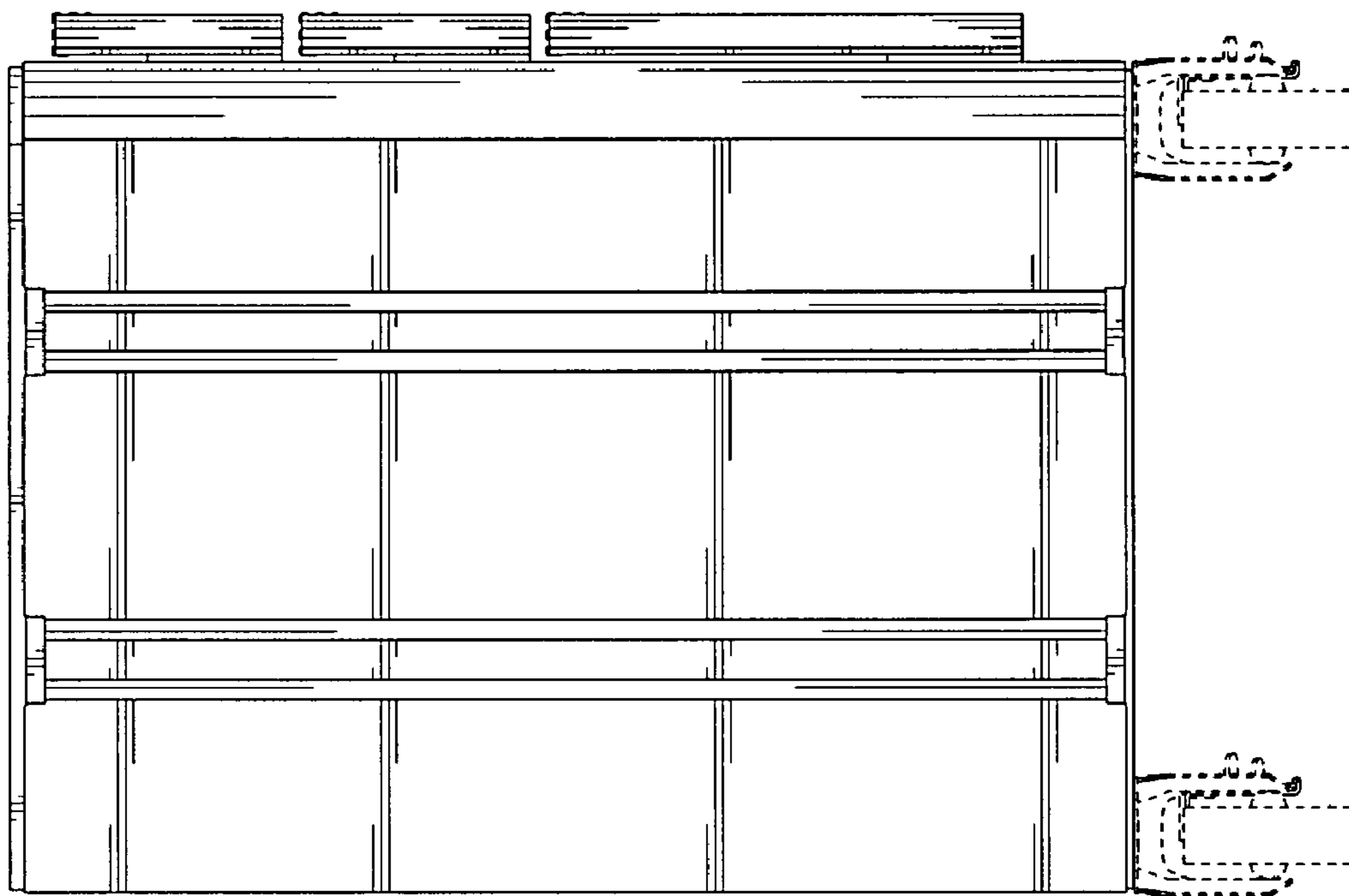
**FIG. 4**



**FIG. 5**



**FIG. 7**



**FIG. 6**