

US00D560074S

(12) **United States Design Patent**
Moser

(10) **Patent No.:** **US D560,074 S**

(45) **Date of Patent:** **** Jan. 22, 2008**

(54) **CHAIR**

(75) Inventor: **Thomas F. Moser**, Auburn, ME (US)

(73) Assignee: **Thos. Moser Cabinetmakers**, Auburn, ME (US)

(**) Term: **14 Years**

(21) Appl. No.: **29/273,573**

(22) Filed: **Mar. 8, 2007**

(51) **LOC (8) Cl.** **06-01**

(52) **U.S. Cl.** **D6/379; D6/380**

(58) **Field of Classification Search** D6/334-336,
D6/358, 372-374, 376, 379, 380, 500-502;
297/411.27, 411.28, 445.1, 446.1

See application file for complete search history.

(56) **References Cited**

U.S. PATENT DOCUMENTS

D331,326 S	*	12/1992	Bennett	D6/379
D355,081 S	*	2/1995	Scheper	D6/380
D470,670 S	*	2/2003	Meyer	D6/374
D474,348 S	*	5/2003	Bosman et al.	D6/372
D517,826 S	*	3/2006	Black	D6/379
D523,255 S	*	6/2006	Dettmann et al.	D6/380

D543,374 S * 5/2007 Huerlimann D6/380
* cited by examiner

Primary Examiner—Mimosa De

(74) *Attorney, Agent, or Firm*—Kilpatrick Stockton LLP

(57) **CLAIM**

The ornamental design for a chair, as shown and described.

DESCRIPTION

FIG. 1 shows a front view of a first embodiment of a chair according to the present invention.

FIG. 2 shows a right side elevation view of the chair of FIG. 1, the left side elevation view being a mirror image of the right side elevation view.

FIG. 3 shows a top view of the chair of FIG. 1.

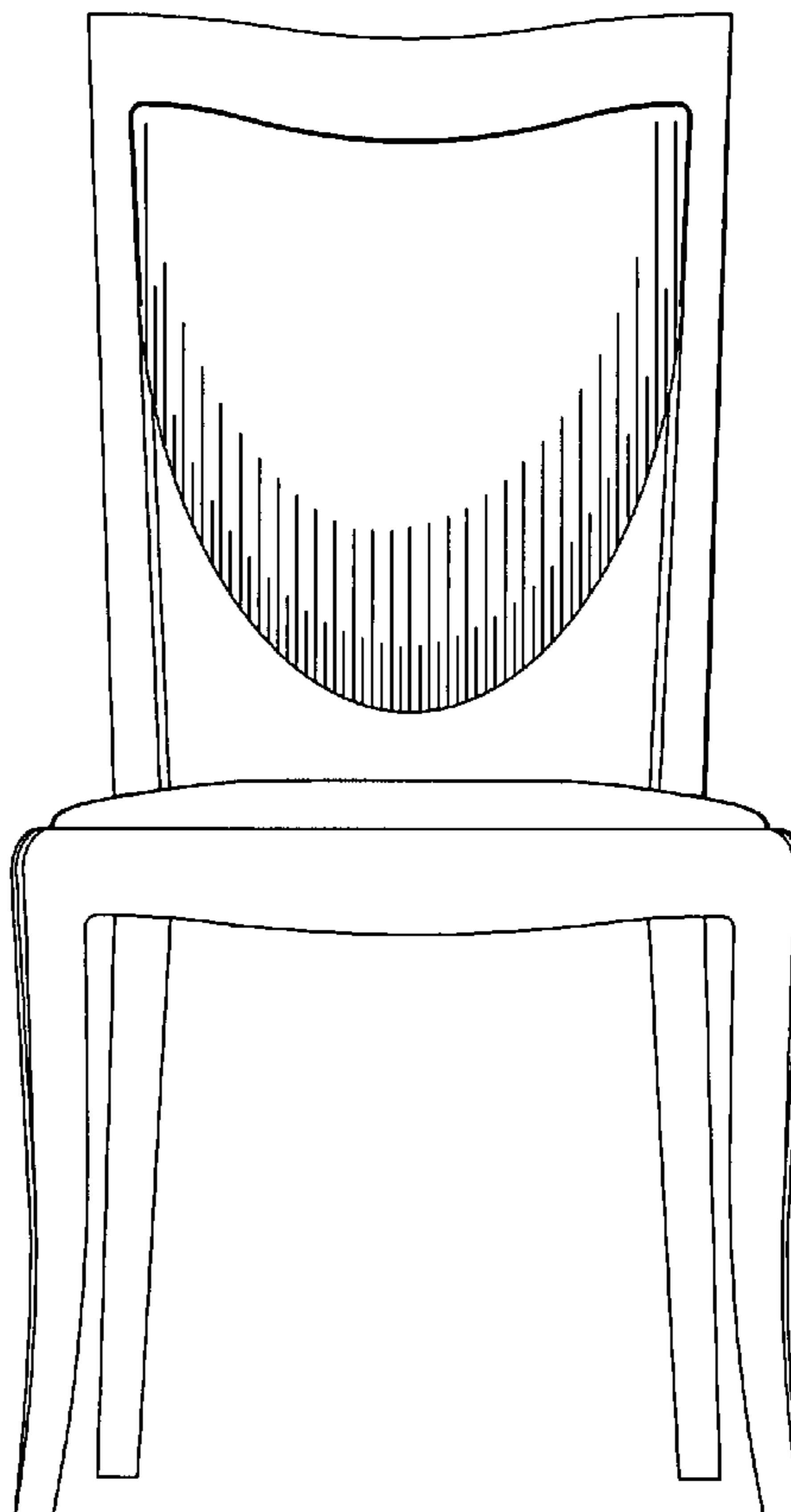
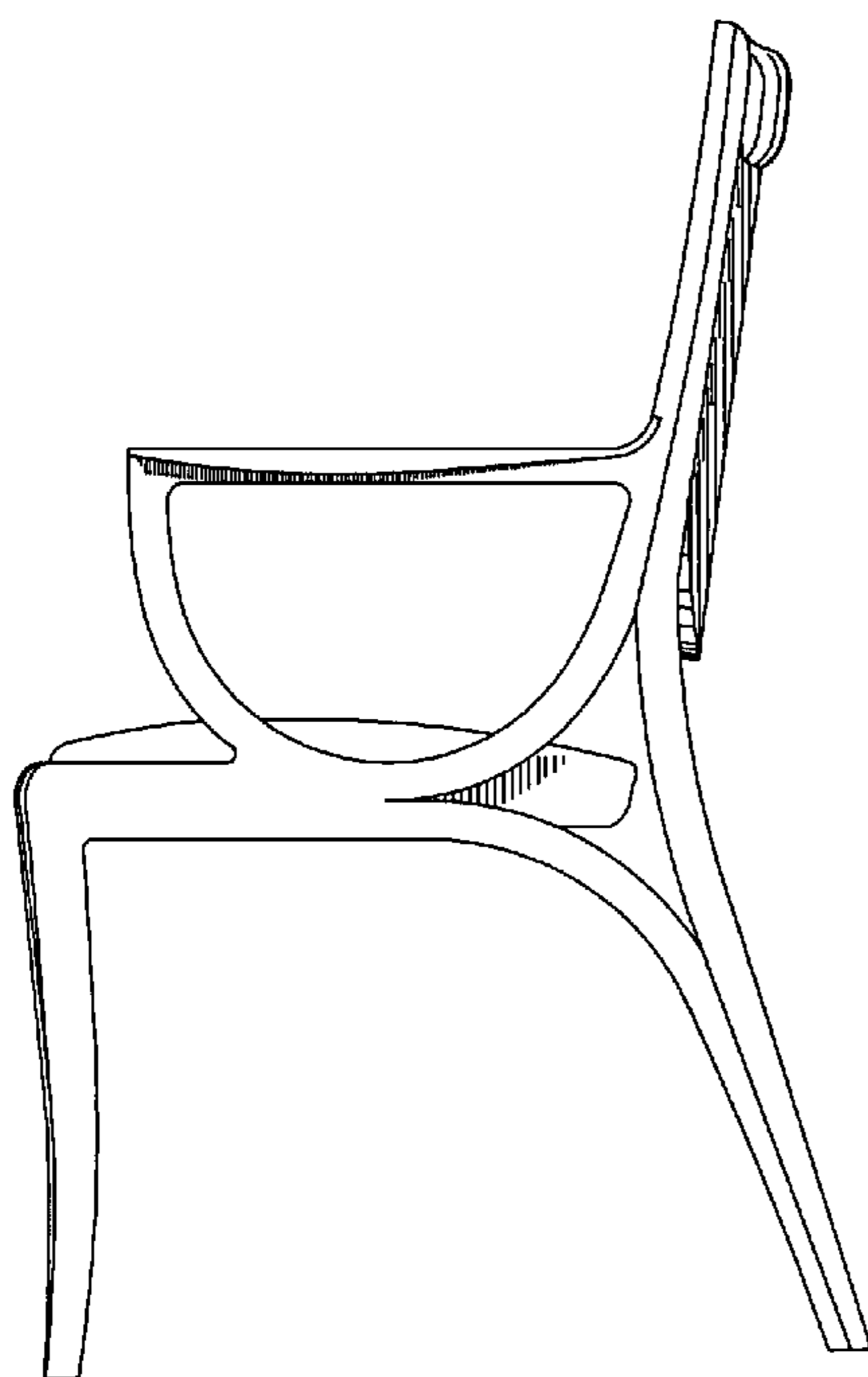
FIG. 4 shows a front view of a second embodiment of a chair according to the present invention.

FIG. 5 shows a right side elevation view of the chair of FIG. 4, the left side elevation view being a mirror image of the right side elevation view; and,

FIG. 6 shows a top view of the chair of FIG. 4.

Portions or features of the chair not shown in the drawings form no part of the claimed design.

1 Claim, 6 Drawing Sheets



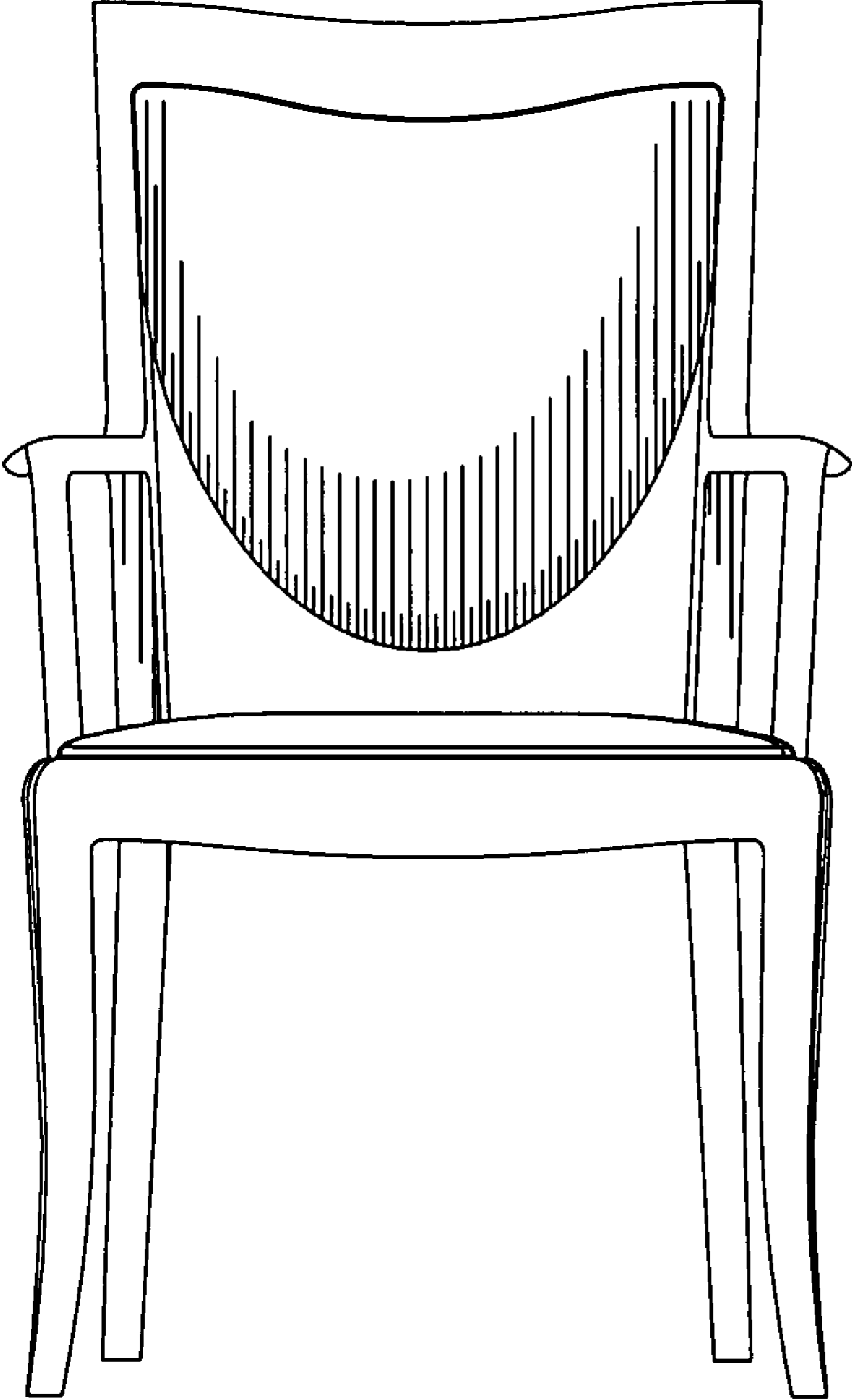


FIG. 1

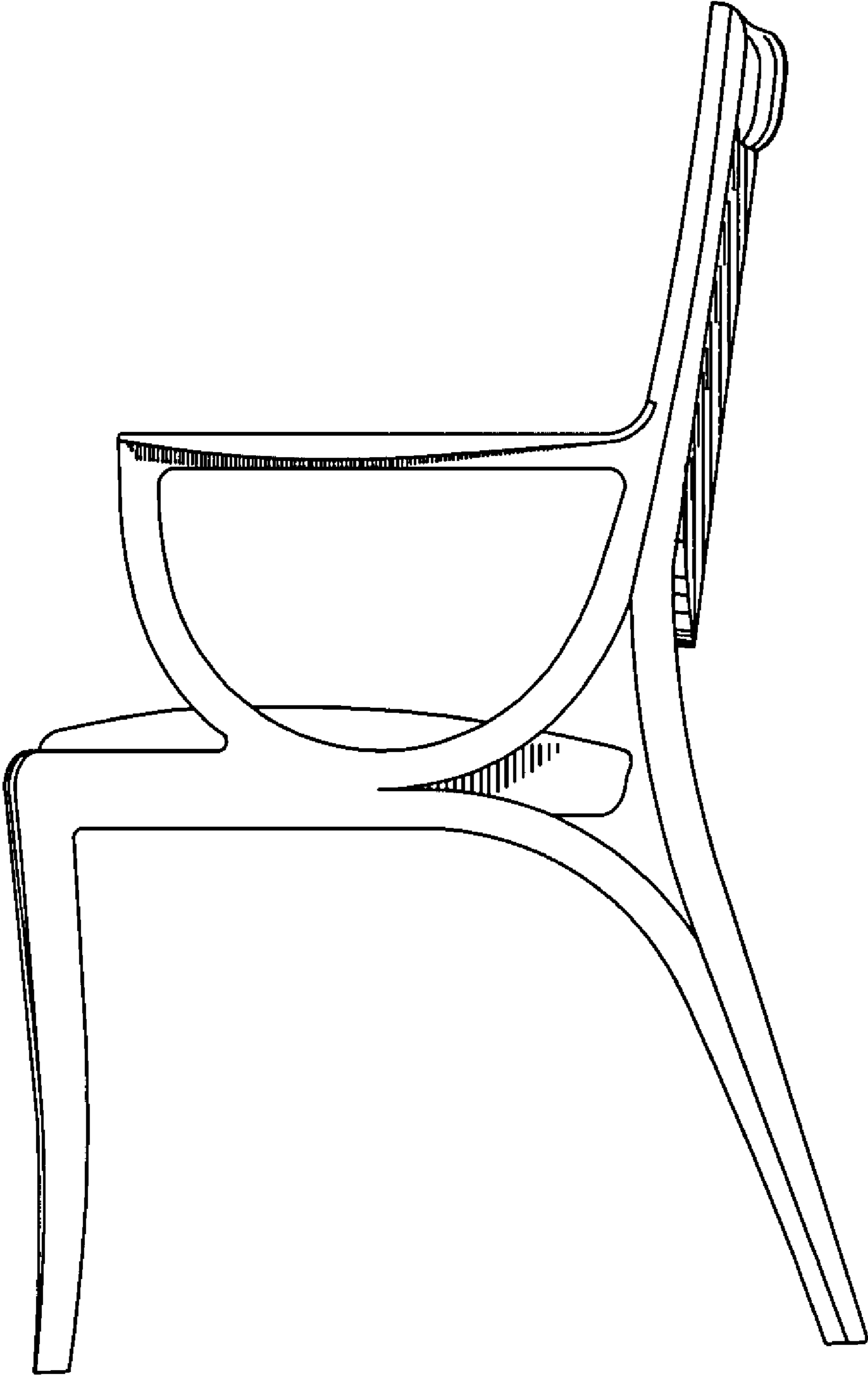


FIG. 2

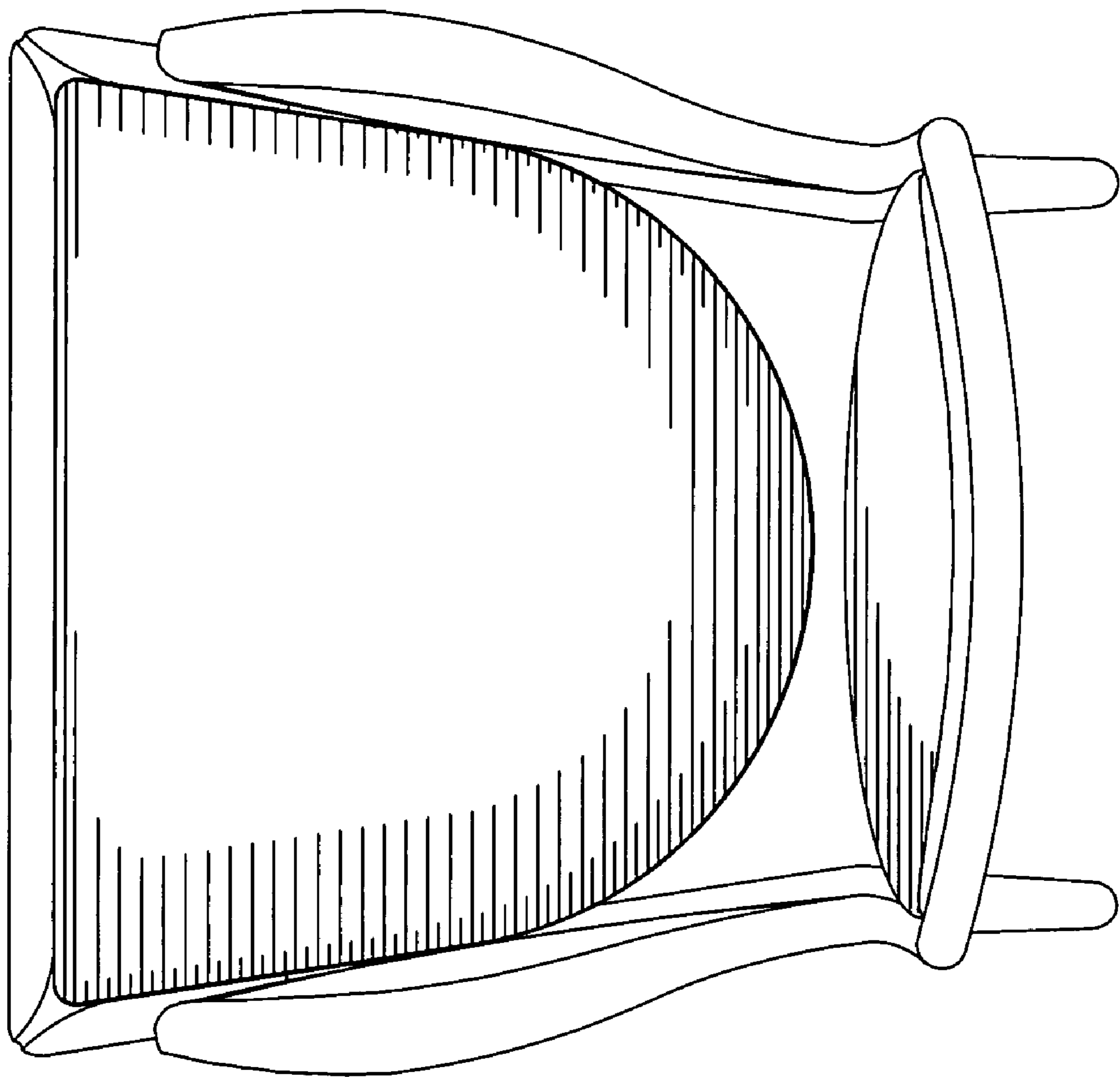


FIG. 3

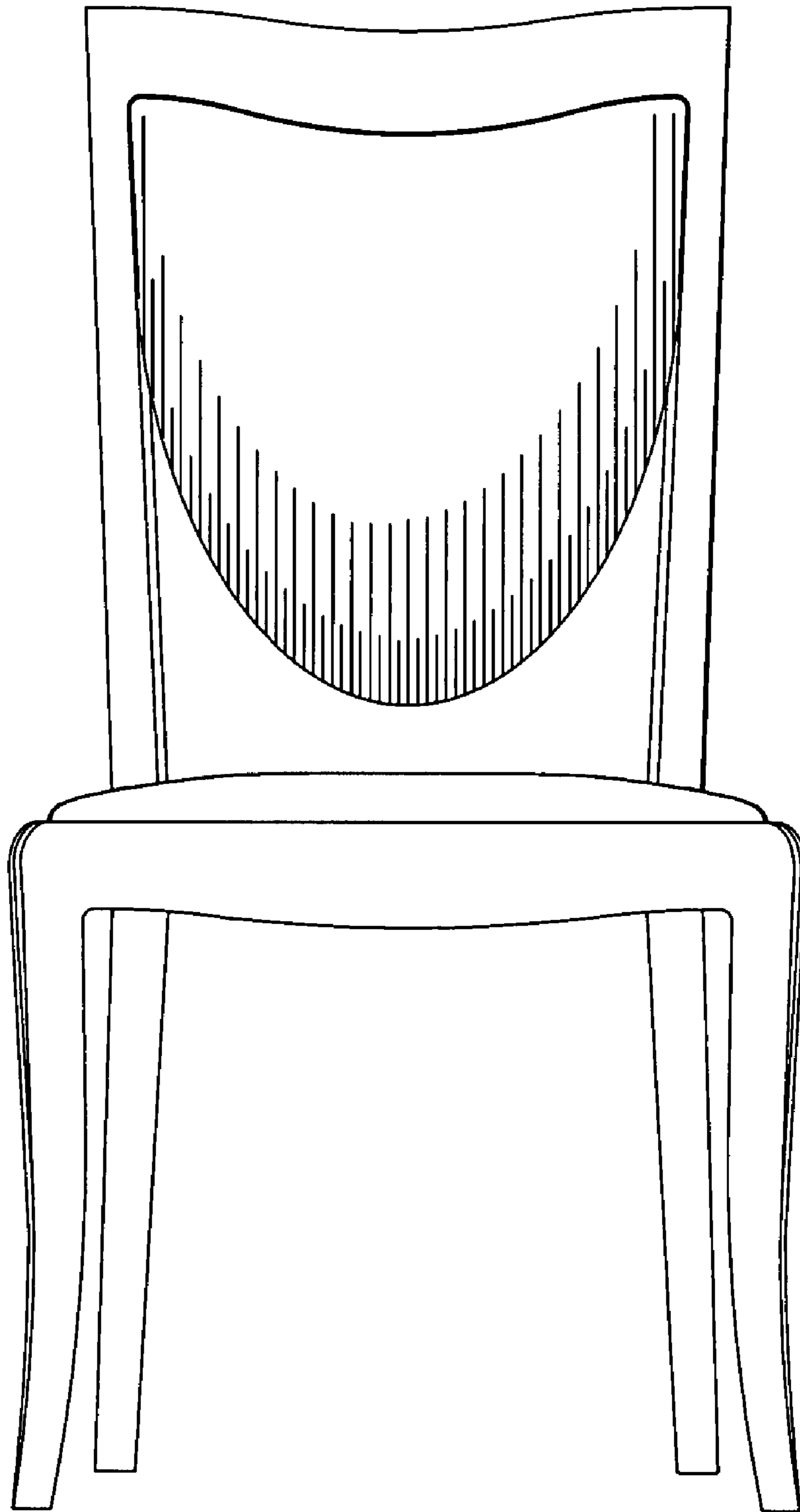


FIG. 4

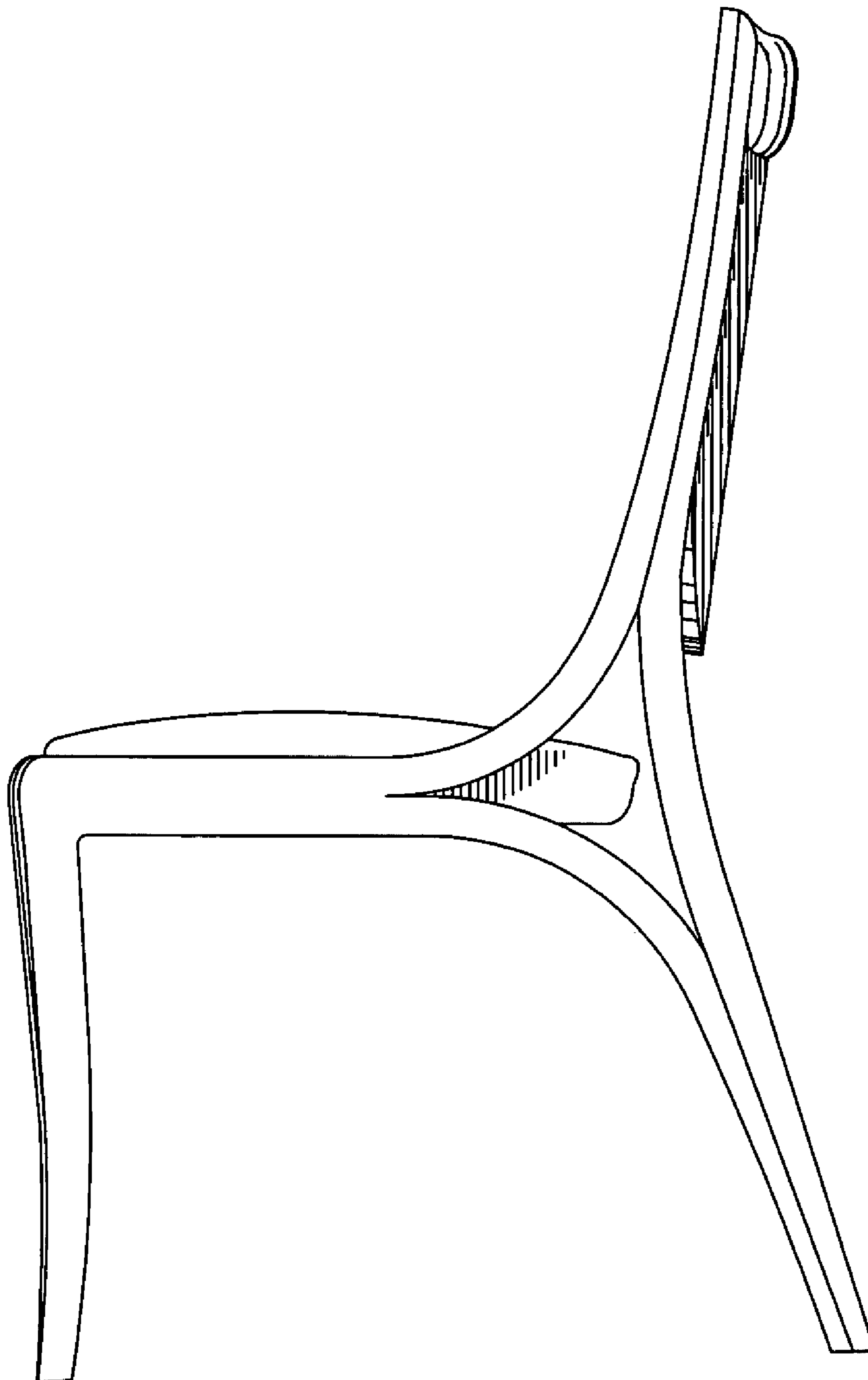


FIG. 5

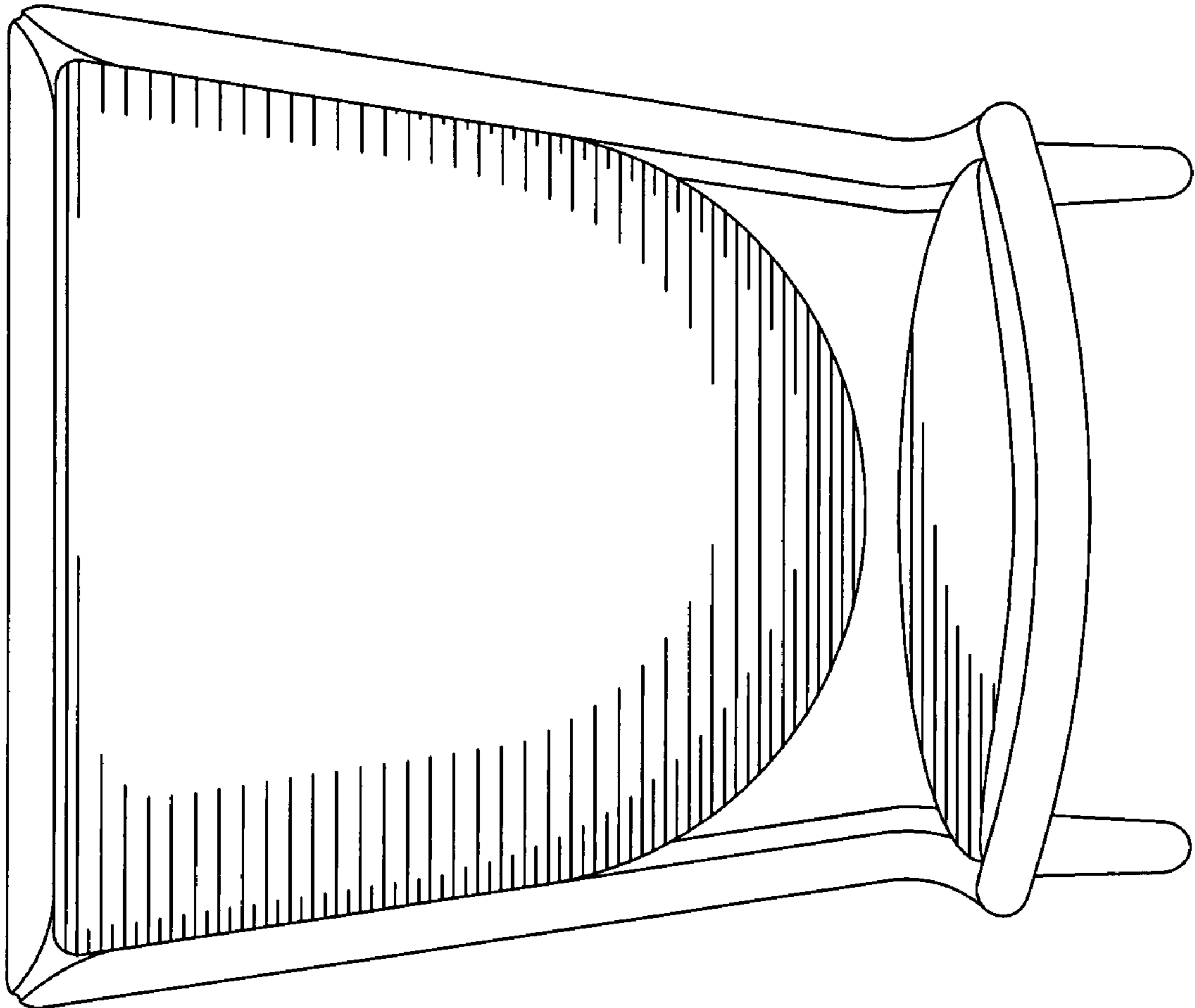


FIG. 6