



US00D560069S

(12) **United States Design Patent**  
**Greiner**

(10) **Patent No.:** **US D560,069 S**

(45) **Date of Patent:** **\*\* Jan. 22, 2008**

(54) **HANDBAG WITH EXTERIOR POUCH**

(76) Inventor: **Lori Greiner**, 1301 Dearborn Pkwy.,  
Suite 402, Chicago, IL (US) 60610

(\*\*) Term: **14 Years**

(21) Appl. No.: **29/248,733**

(22) Filed: **Aug. 30, 2006**

**Related U.S. Application Data**

(63) Continuation-in-part of application No. 11/440,943,  
filed on May 25, 2006.

(51) **LOC (8) Cl.** ..... **03-01**

(52) **U.S. Cl.** ..... **D3/246**

(58) **Field of Classification Search** ..... D3/231,  
D3/232, 233, 234, 237, 238, 243, 244, 245,  
D3/246, 303, 318, 319, 321, 322; 150/100,  
150/107, 110, 111, 112, 114, 115, 117, 118;  
190/100, 108, 109, 111, 112, 113, 114, 115,  
190/119, 902, 903; 383/6, 12, 25, 29, 30,  
383/31, 37, 38, 39, 40, 41, 42, 71, 72, 74,  
383/76, 78, 98, 99, 104, 907

See application file for complete search history.

(56) **References Cited**

**U.S. PATENT DOCUMENTS**

1,485,172	A	2/1924	Dowell	
1,704,040	A	3/1929	Fingerman	
1,841,154	A *	1/1932	Rath	190/109
D101,705	S *	10/1936	Lewis	D3/243
D116,165	S	8/1939	Kaufmann	
D163,726	S *	6/1951	Wiggin	D3/243
2,960,137	A *	11/1960	Lipsitz	150/114
3,292,748	A	12/1966	Rifkin	
3,521,691	A	7/1970	Davis	
3,955,609	A	5/1976	Siegel	
4,022,261	A	5/1977	Russell	
D245,645	S *	8/1977	Casser	D3/243

(Continued)

*Primary Examiner*—Gary D. Watson  
*Assistant Examiner*—Monica A Weingart

(74) *Attorney, Agent, or Firm*—Fredrikson & Byron, P.A.

(57) **CLAIM**

The ornamental design for a handbag with exterior pouch, as shown and described.

**DESCRIPTION**

FIG. 1 is a front perspective view of a handbag with exterior pouch, in the closed position, showing my new design;

FIG. 2 is a front perspective view, in the open position thereof;

FIG. 3 is a front elevational view, in the closed position thereof;

FIG. 4 is a right side elevational view thereof;

FIG. 5 is a left side elevational view thereof;

FIG. 6 is a left side elevational view thereof;

FIG. 7 is a top plan view thereof;

FIG. 8 is a bottom plan view thereof;

FIG. 9 is a front perspective view of a second embodiment thereof;

FIG. 10 is a front perspective view, in the open position thereof;

FIG. 11 is a front elevational view, in the closed position thereof;

FIG. 12 is a left side elevational view thereof;

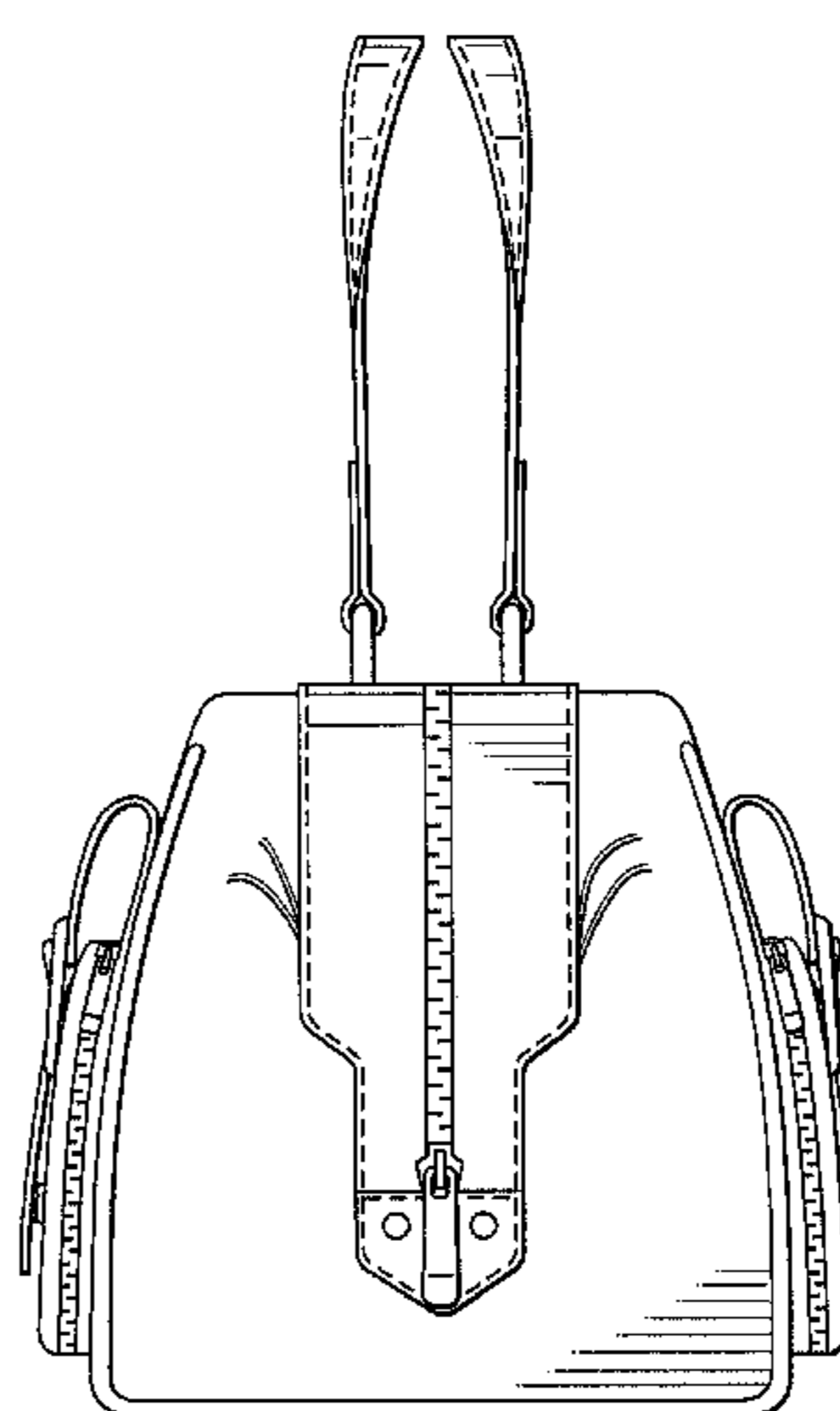
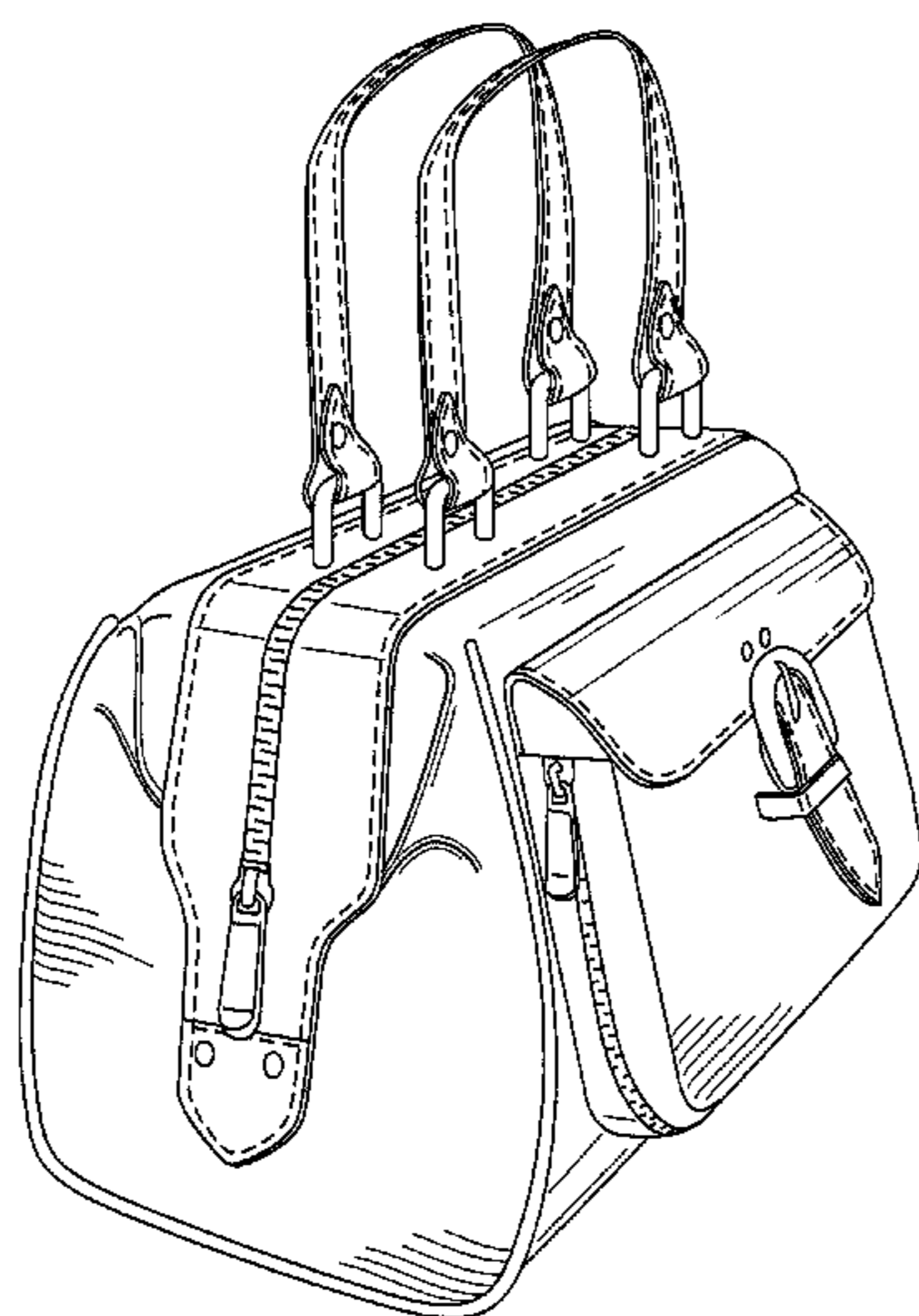
FIG. 13 is a right side elevational view thereof;

FIG. 14 is a top plan view thereof; and,

FIG. 15 is a bottom plan view thereof.

The broken line showing in the views is included for the purpose of illustrating environment and forms no part of the claimed design.

**1 Claim, 13 Drawing Sheets**



# US D560,069 S

Page 2

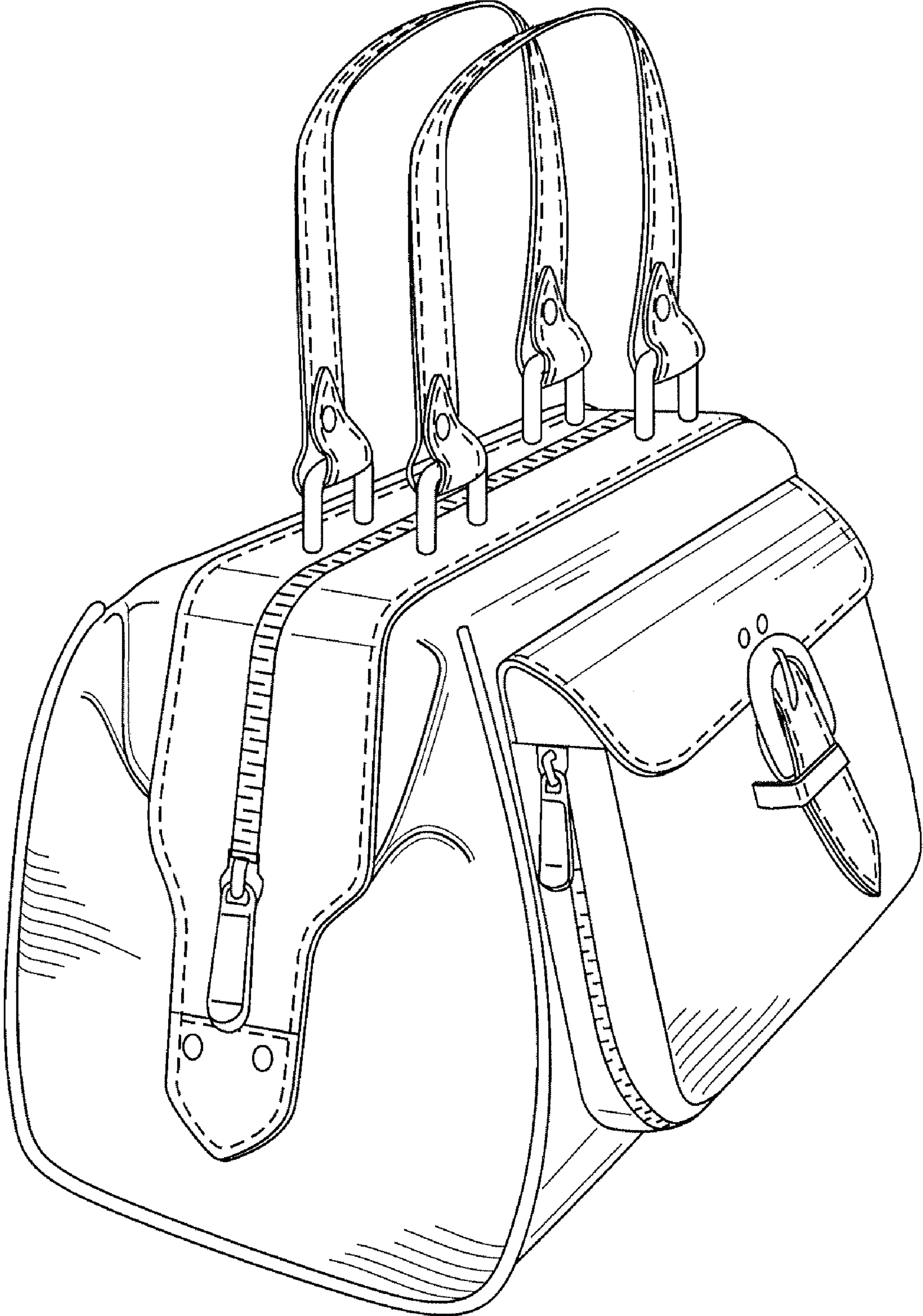
---

## U.S. PATENT DOCUMENTS

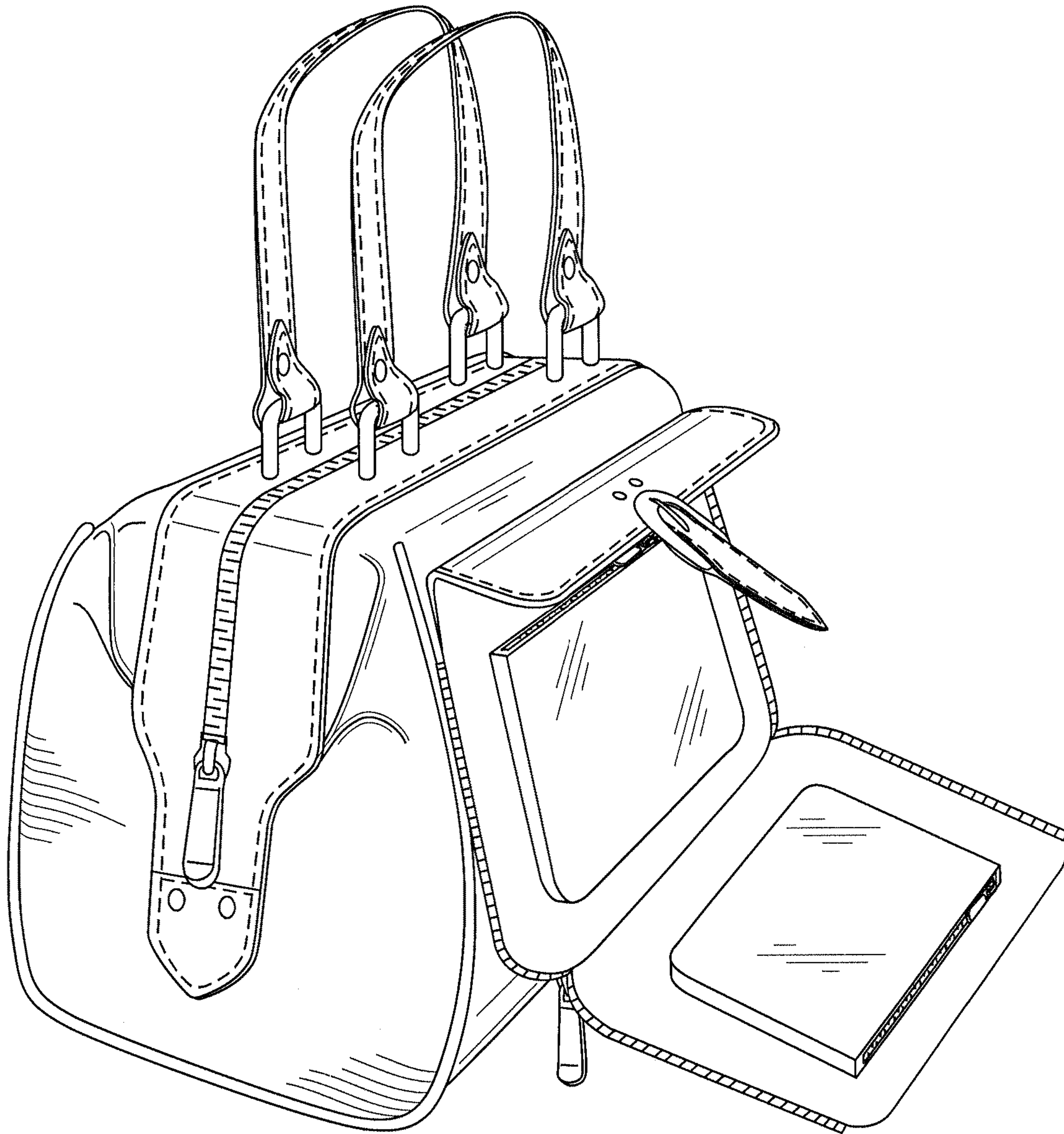
			6,223,870 B1	5/2001	Godshaw	
			6,237,660 B1	5/2001	Giardino	
			6,283,183 B1	9/2001	Cooper	
D247,069 S	1/1978	Siris	6,460,668 B1	10/2002	Godshaw et al.	
D250,614 S	12/1978	Stewart	D466,297 S	12/2002	Raisner et al.	
4,140,164 A	2/1979	Staup	6,637,485 B1	10/2003	Sartena	
5,007,470 A	4/1991	Freeman	6,640,813 B2	11/2003	Raisner et al.	
5,048,582 A	9/1991	Whitfield	6,655,565 B2	12/2003	Godshaw et al.	
D322,168 S	12/1991	King	6,681,936 B2	1/2004	Godshaw et al.	
D330,281 S	10/1992	Siris	6,695,107 B2	2/2004	Godshaw et al.	
5,402,869 A	4/1995	Saltzman et al.	6,789,665 B2	9/2004	Staiano	
5,409,153 A	4/1995	Ristich	D502,314 S *	3/2005	Cassegrain ..... D3/246	
D378,709 S	4/1997	Jacobs et al.	D505,012 S	5/2005	Godshaw et al.	
5,829,502 A	11/1998	Distefano et al.	7,004,295 B2	2/2006	Godshaw et al.	
D406,456 S	3/1999	McDermott	D518,959 S	4/2006	Gonzalez	
5,911,262 A	6/1999	Steinhart	D531,405 S	11/2006	Tortorella	
5,918,711 A	7/1999	Godshaw	2004/0163944 A1	8/2004	Godshaw et al.	
6,047,752 A	4/2000	Southwick	2005/0011715 A1	1/2005	Godshaw	
6,109,442 A	8/2000	Roegner				
6,109,443 A	8/2000	Dercole				
6,135,179 A	10/2000	Joyner				
6,183,133 B1	2/2001	Roegner				

\* cited by examiner

**Fig. 1**



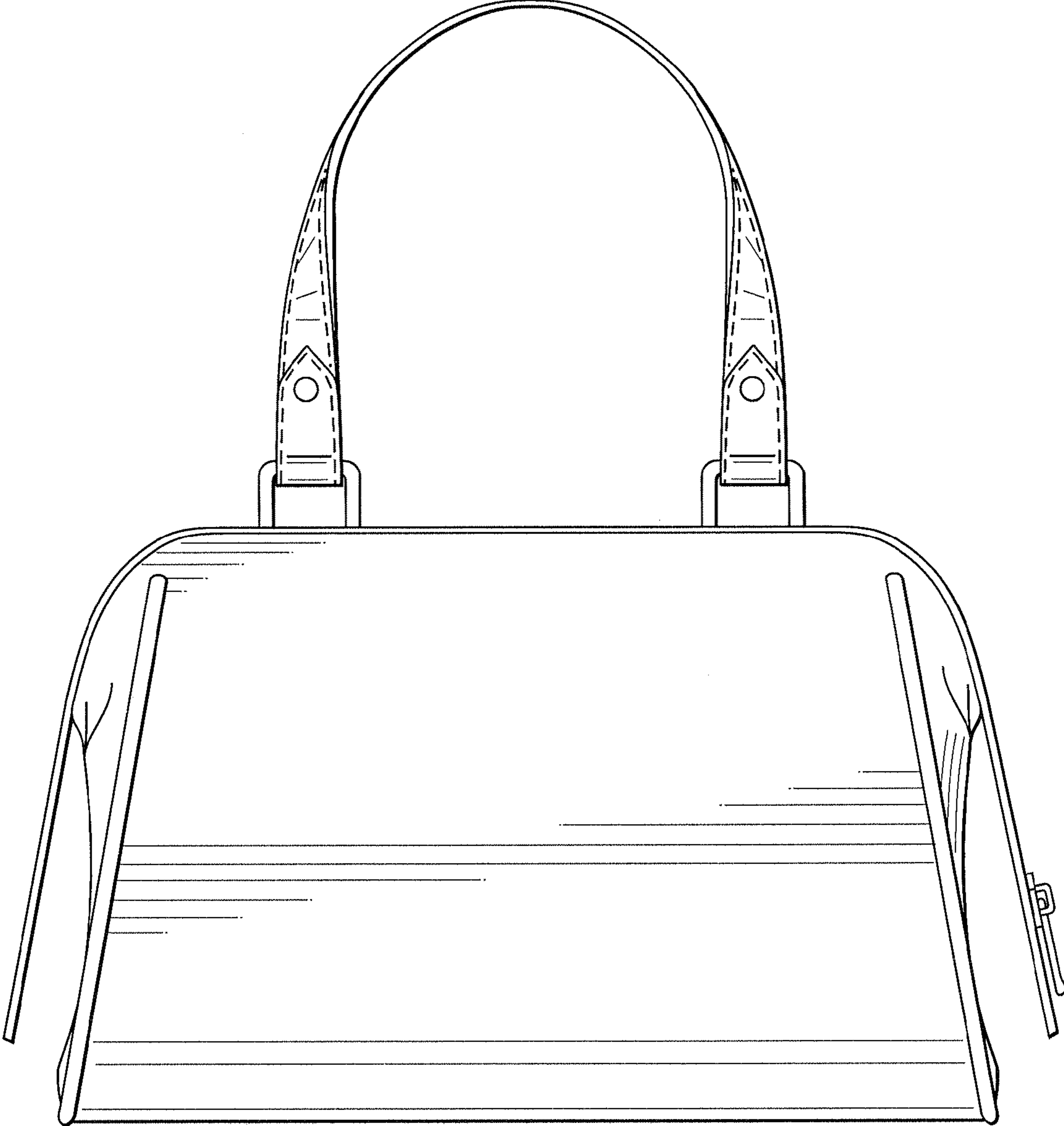
**Fig. 2**



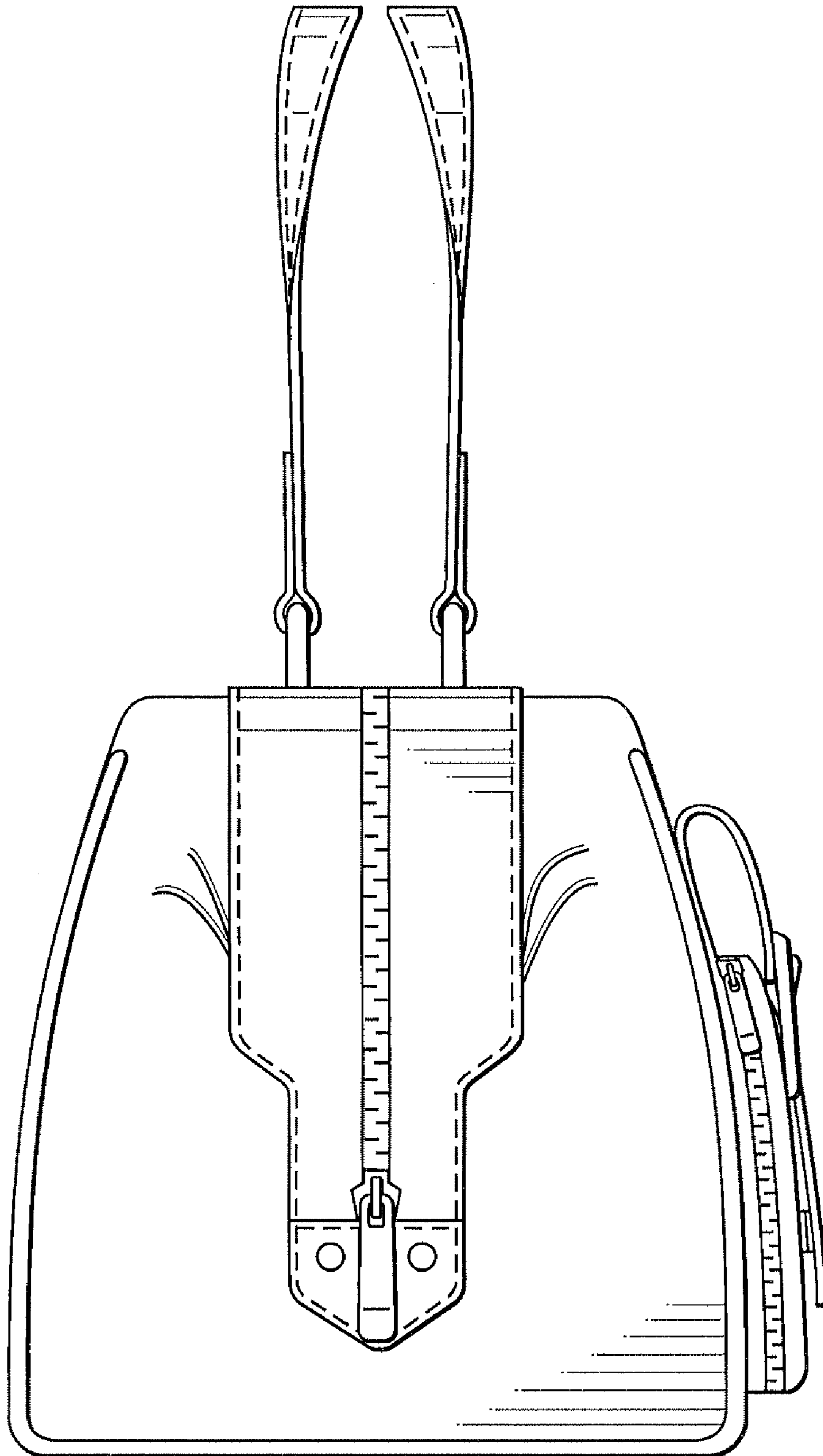
**Fig. 3**



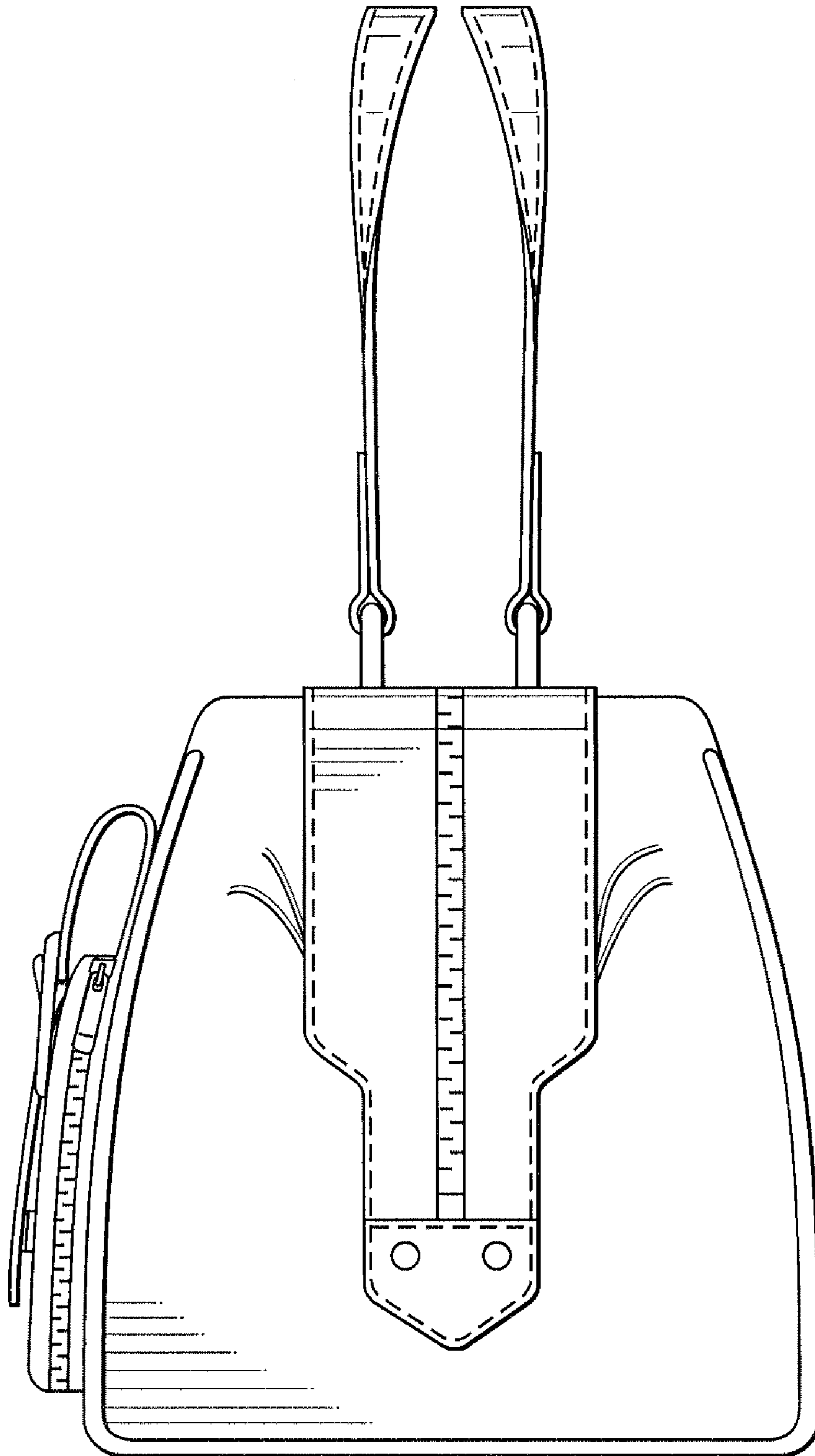
**Fig. 4**



**Fig. 5**

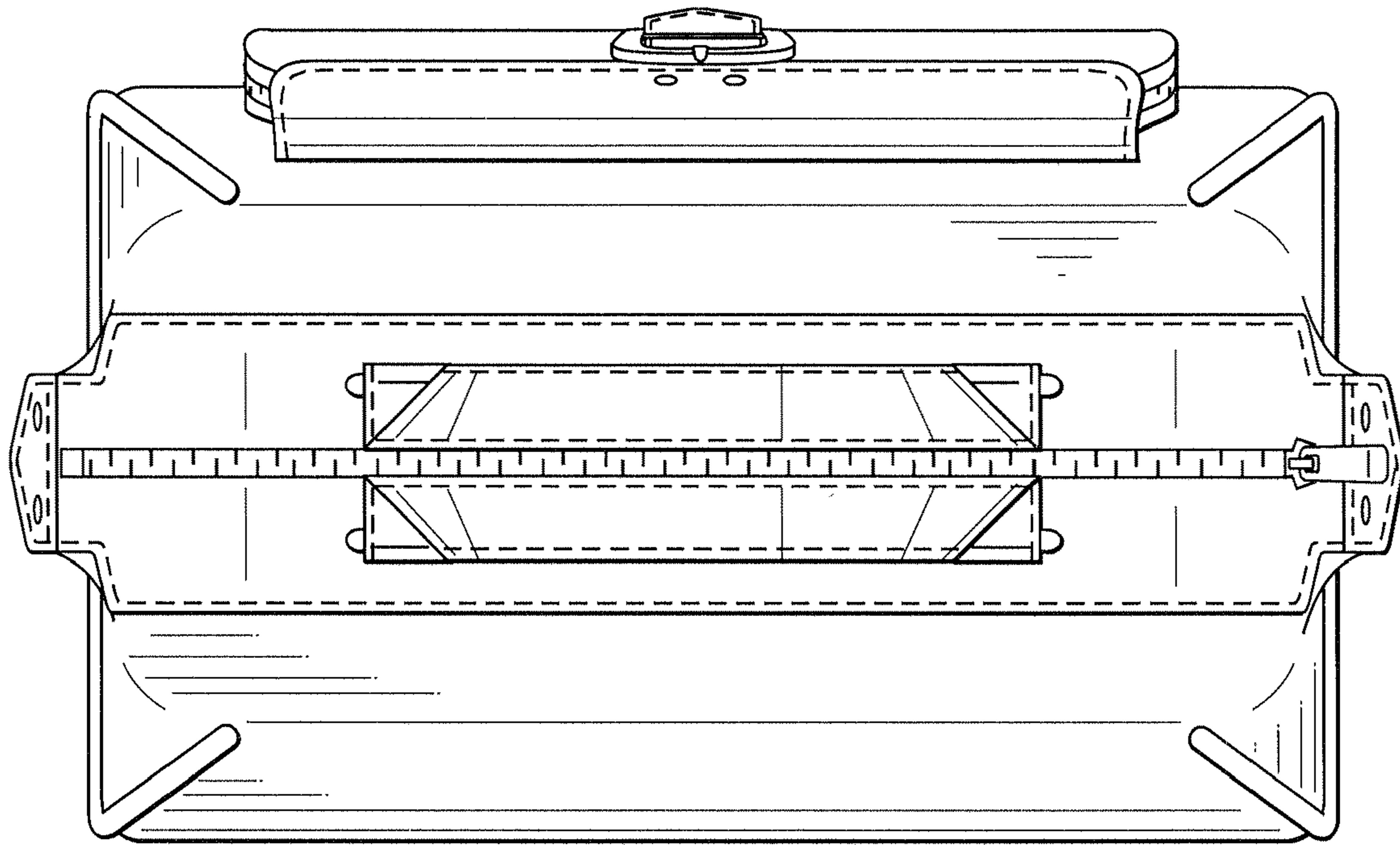


**Fig. 6**

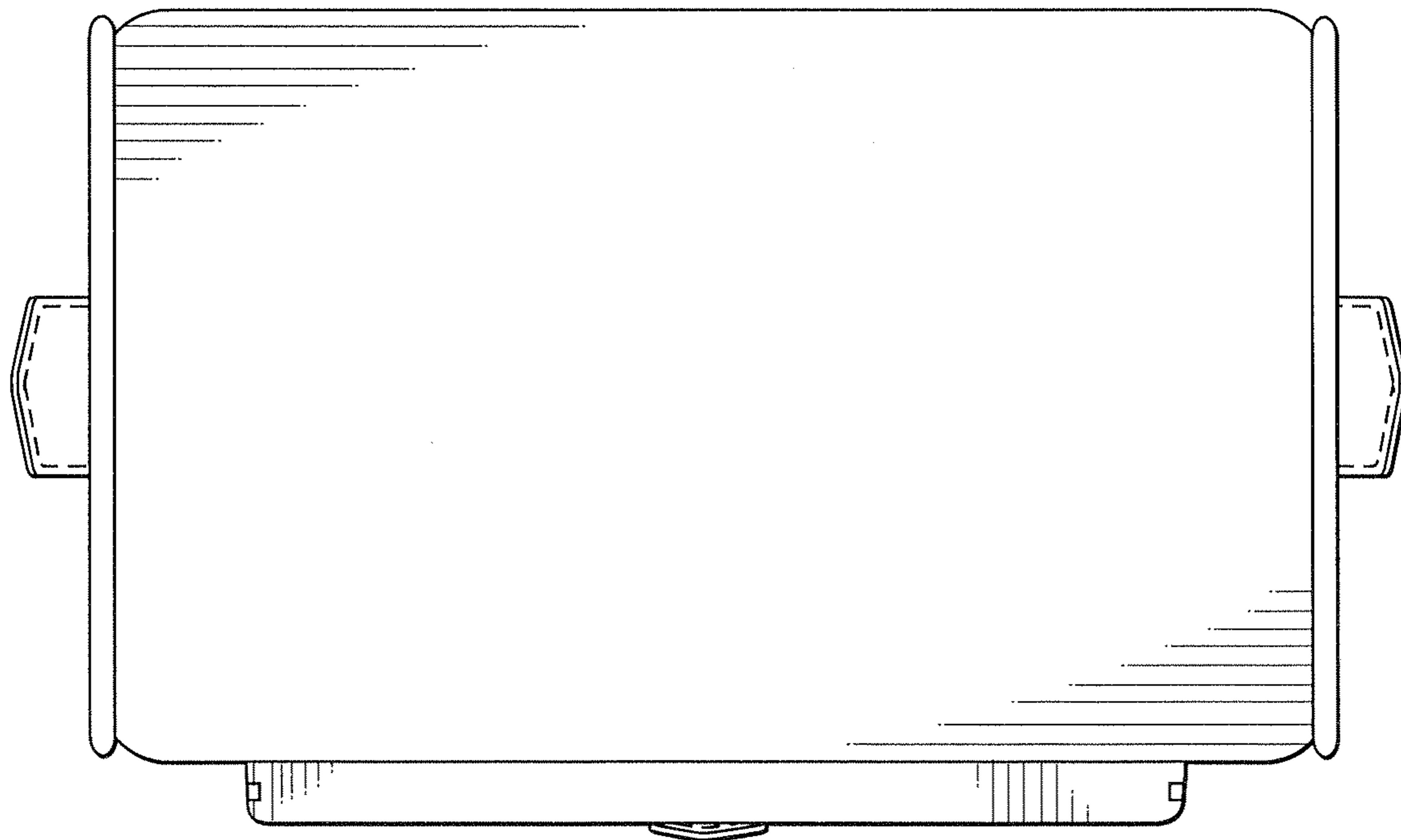




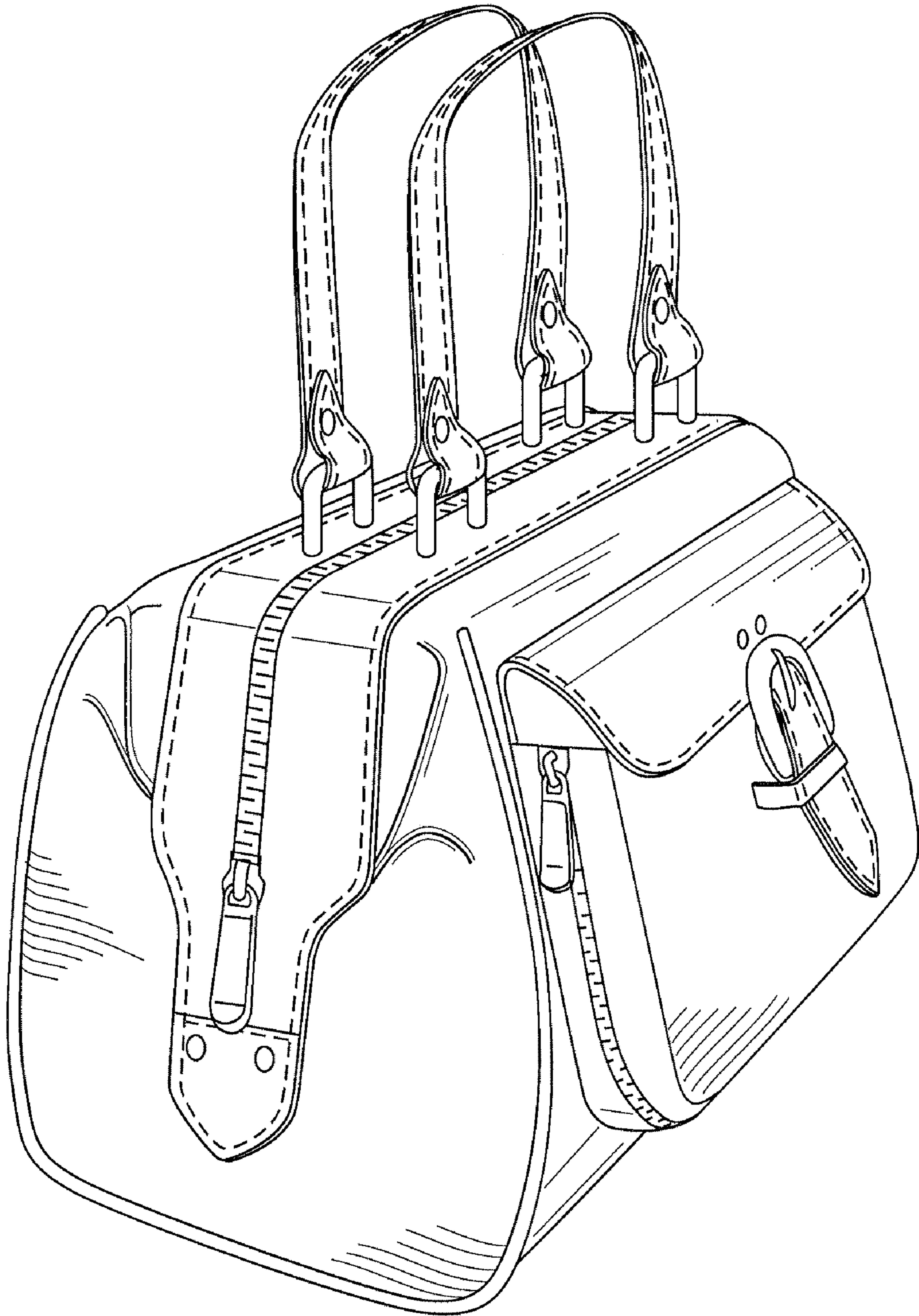
**Fig. 7**



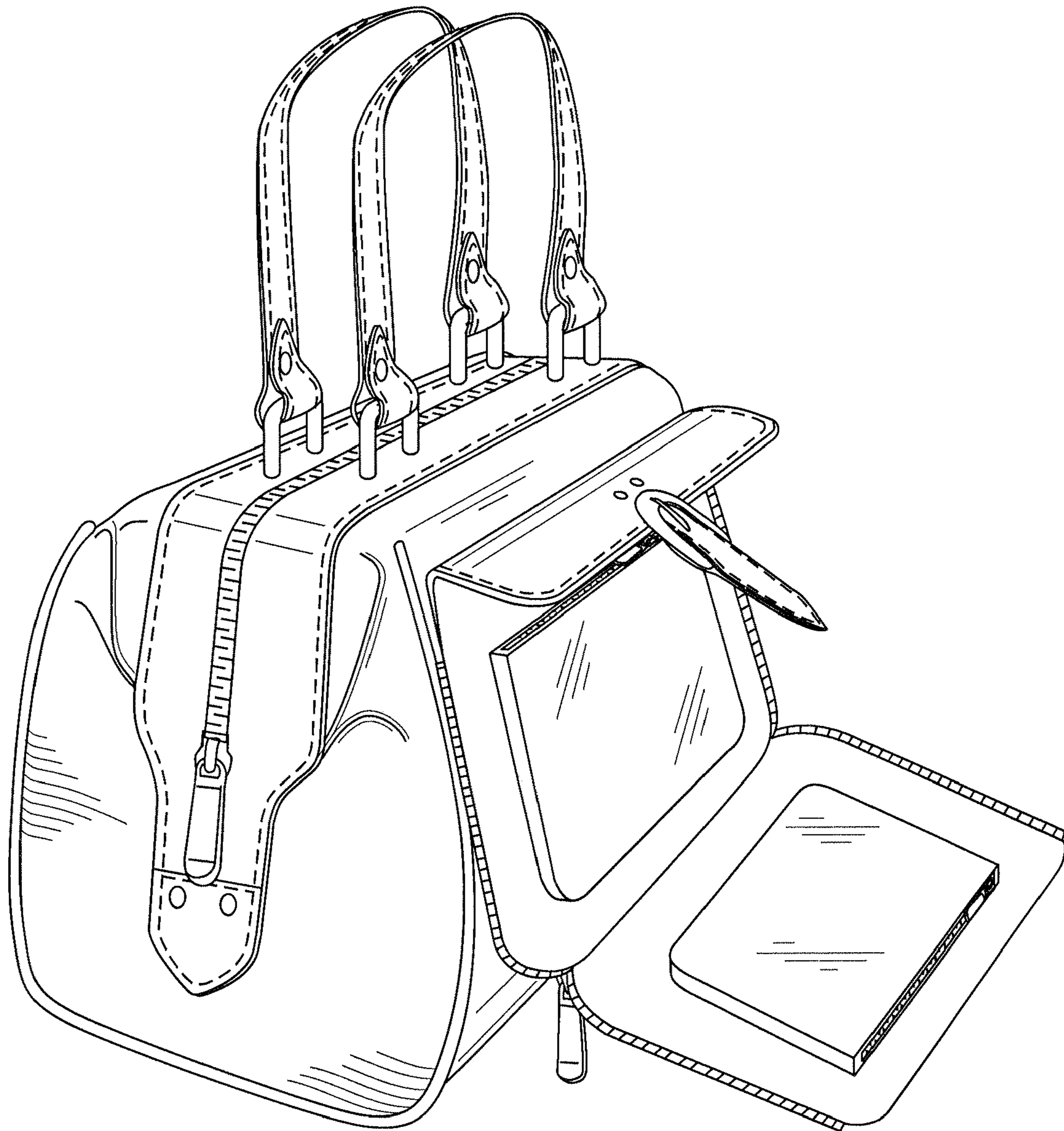
**Fig. 8**



**Fig. 9**



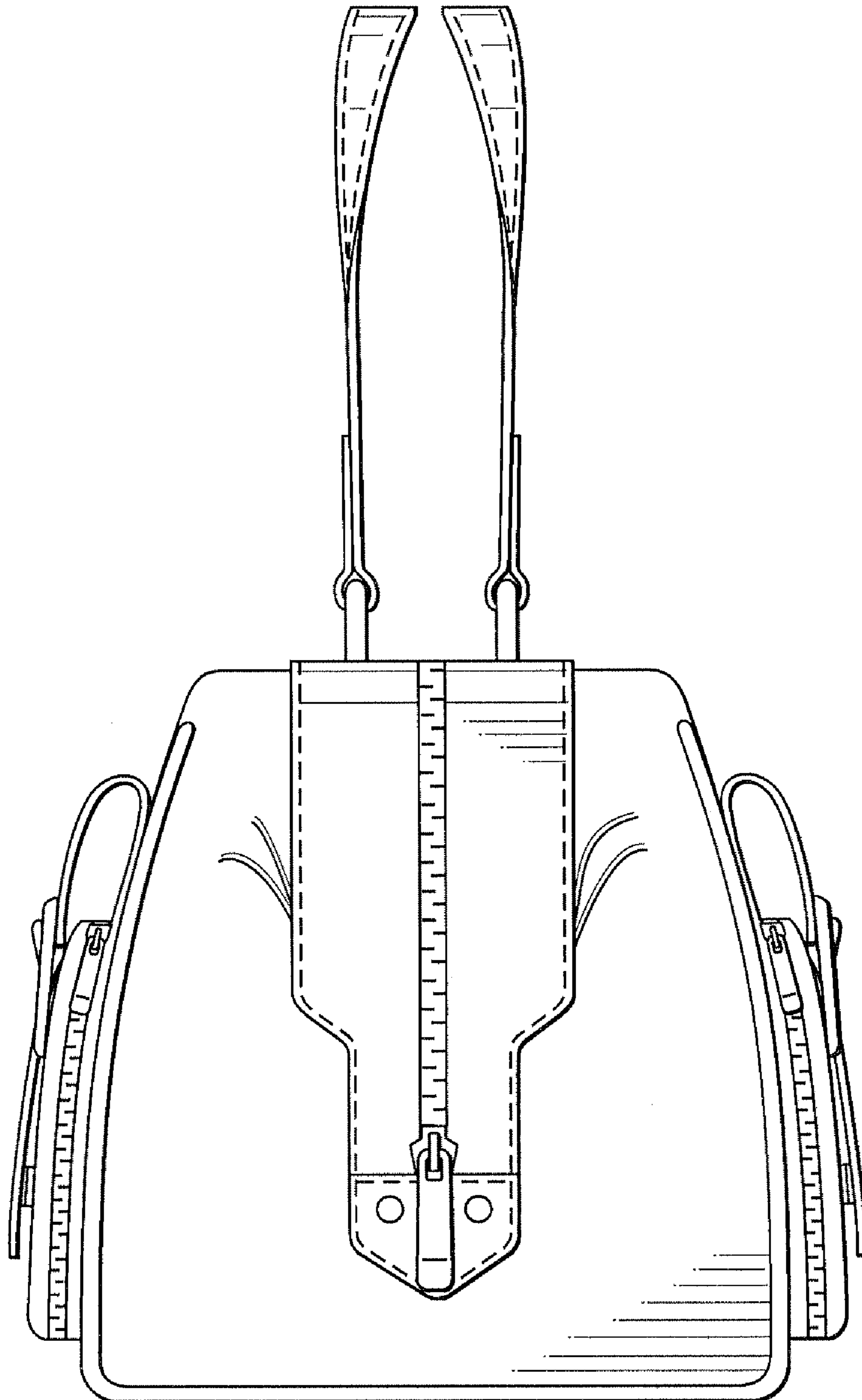
**Fig. 10**



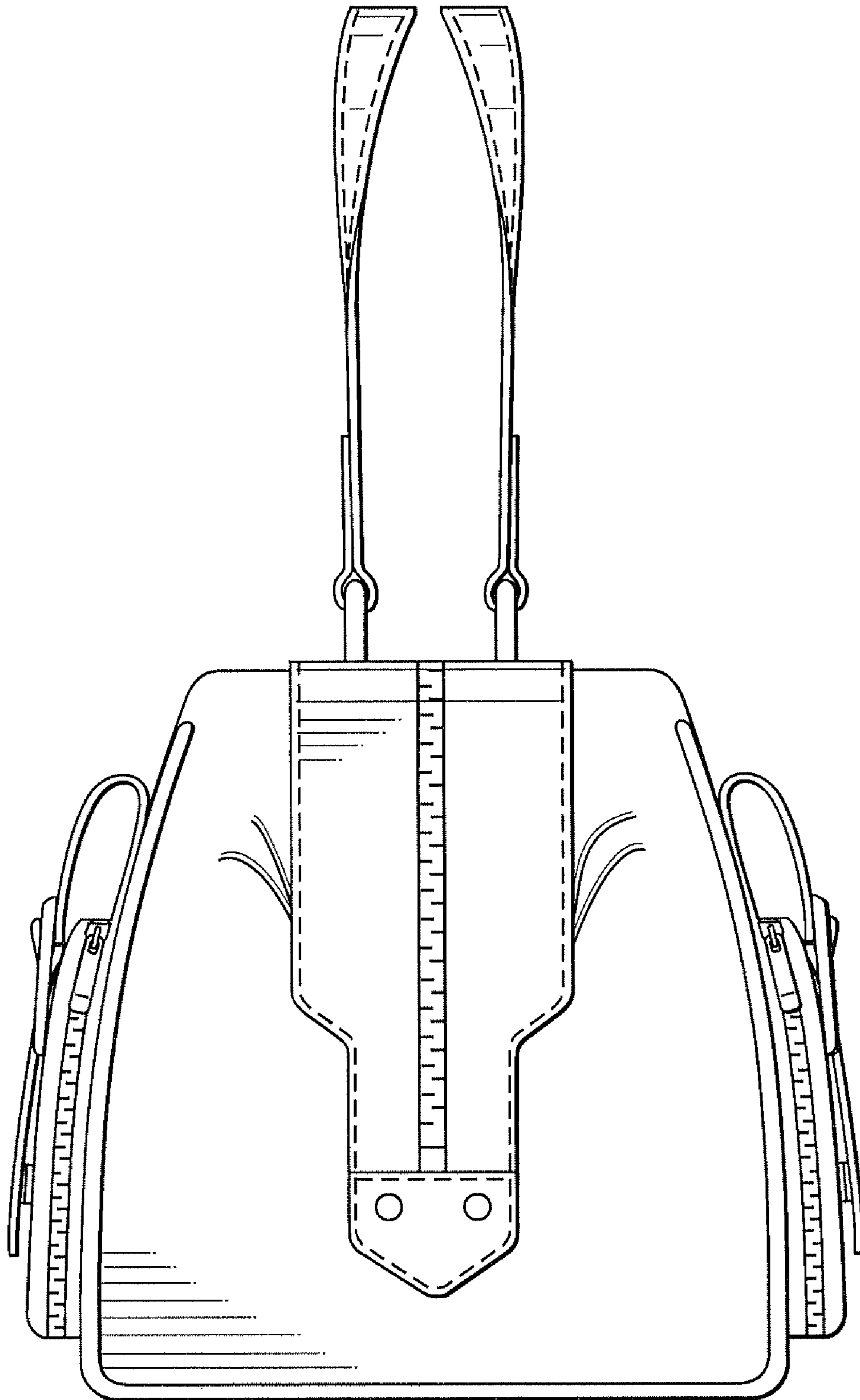
*Fig. 11*



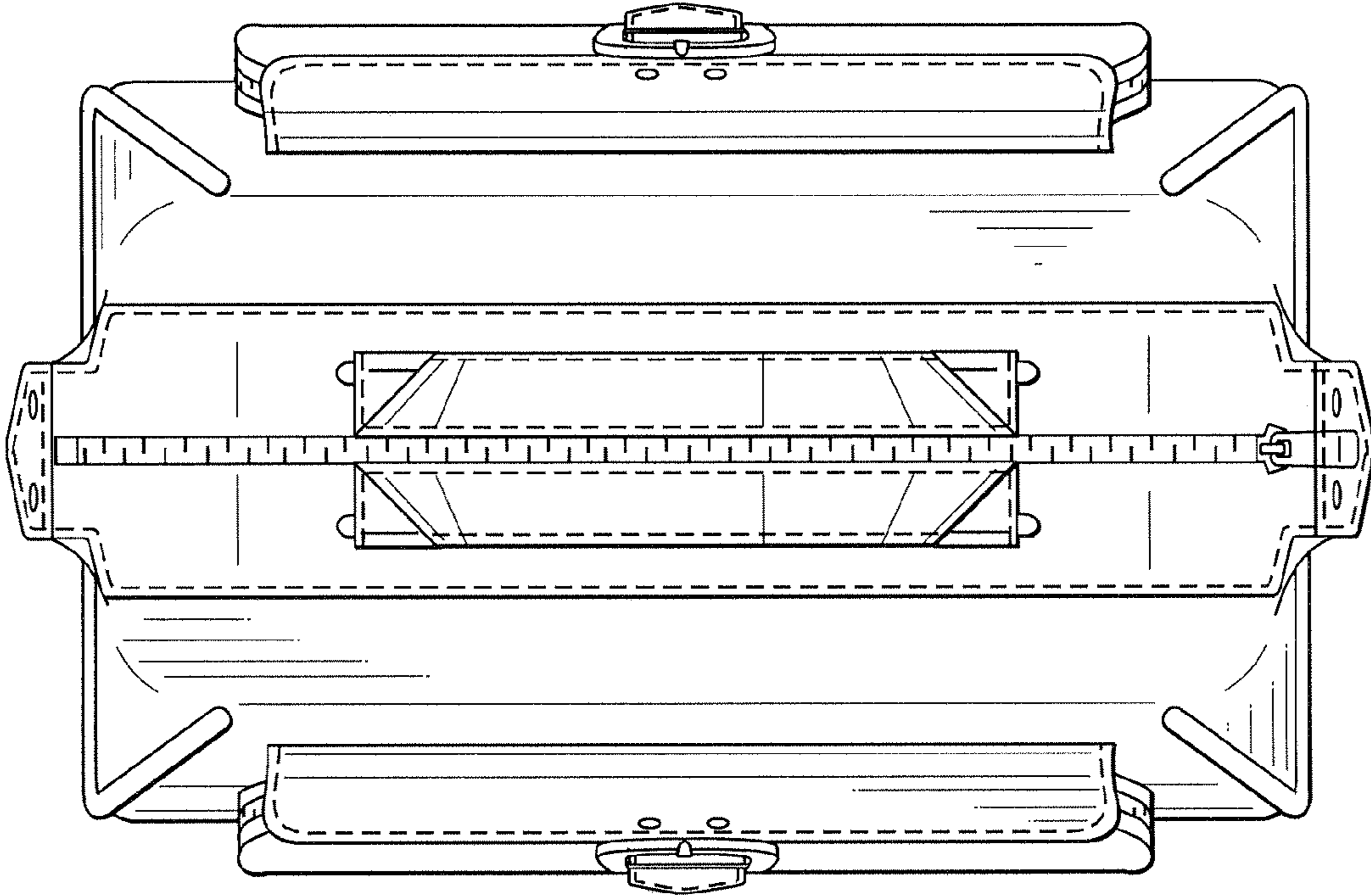
**Fig. 12**



**Fig. 13**



**Fig. 14**



**Fig. 15**

