



US00D560068S

(12) **United States Design Patent**  
**Dixon**

(10) **Patent No.:** **US D560,068 S**  
(45) **Date of Patent:** **\*\* Jan. 22, 2008**

(54) **HOLSTER FOR AN ELECTRONIC DEVICE**  
(75) Inventor: **Steven C. Dixon**, 11 Vivian St., Lincoln Park, NJ (US) 07035  
(73) Assignees: **Harald Richter** (DE); **Steven C. Dixon**, Lincoln Park, NJ (US)  
(\*\*) Term: **14 Years**  
(21) Appl. No.: **29/250,338**  
(22) Filed: **Nov. 10, 2006**

D517,310 S 3/2006 Aron et al.  
7,032,791 B2 4/2006 Stotts  
D529,713 S 10/2006 Guyot et al.  
D532,003 S \* 11/2006 Franck et al. .... D3/218  
D533,994 S \* 12/2006 Hussaini et al. .... D3/218  
D550,953 S \* 9/2007 Yang et al. .... D3/218  
D551,847 S \* 10/2007 Yeap et al. .... D3/218  
D551,855 S \* 10/2007 Yeh et al. .... D3/218  
2003/0162510 A1 8/2003 Kim  
2005/0035164 A1 2/2005 Badillo  
2005/0135603 A1 6/2005 Stanford  
2006/0237494 A1 10/2006 Fichera

(51) **LOC (8) Cl.** ..... **03-01**  
(52) **U.S. Cl.** ..... **D3/218**  
(58) **Field of Classification Search** ..... D3/218,  
D3/215, 224-226, 208, 273-276; D14/248,  
D14/147, 137, 151, 148; 379/449-450; 224/250-251,  
224/930, 682-683, 269-271; 455/575.9,  
455/95

See application file for complete search history.

(56) **References Cited**

**U.S. PATENT DOCUMENTS**

4,419,794 A 12/1983 Horton, Jr. et al.  
5,697,071 A 12/1997 Fan  
5,730,342 A 3/1998 Tien  
5,850,954 A 12/1998 Dong-Joo  
5,988,577 A 11/1999 Phillips et al.  
6,006,969 A 12/1999 Kim  
6,032,337 A 3/2000 Rankin, Jr. et al.  
6,206,257 B1 3/2001 Peele et al.  
6,233,788 B1 5/2001 Choy et al.  
6,283,348 B1 9/2001 Wang  
6,443,340 B1 9/2002 Chung et al.  
6,752,299 B2 6/2004 Shetler et al.  
6,786,372 B2 9/2004 Enkerlin et al.  
D497,049 S 10/2004 Lodato et al.  
D504,564 S 5/2005 Robertson, Jr. et al.  
6,955,279 B1 10/2005 Mudd et al.

**OTHER PUBLICATIONS**

Rivet Mobile Wear by Tek; 1 page, 2006.

\* cited by examiner

*Primary Examiner*—Catherine R. Oliver

(74) *Attorney, Agent, or Firm*—John H. Thomas, PC

(57) **CLAIM**

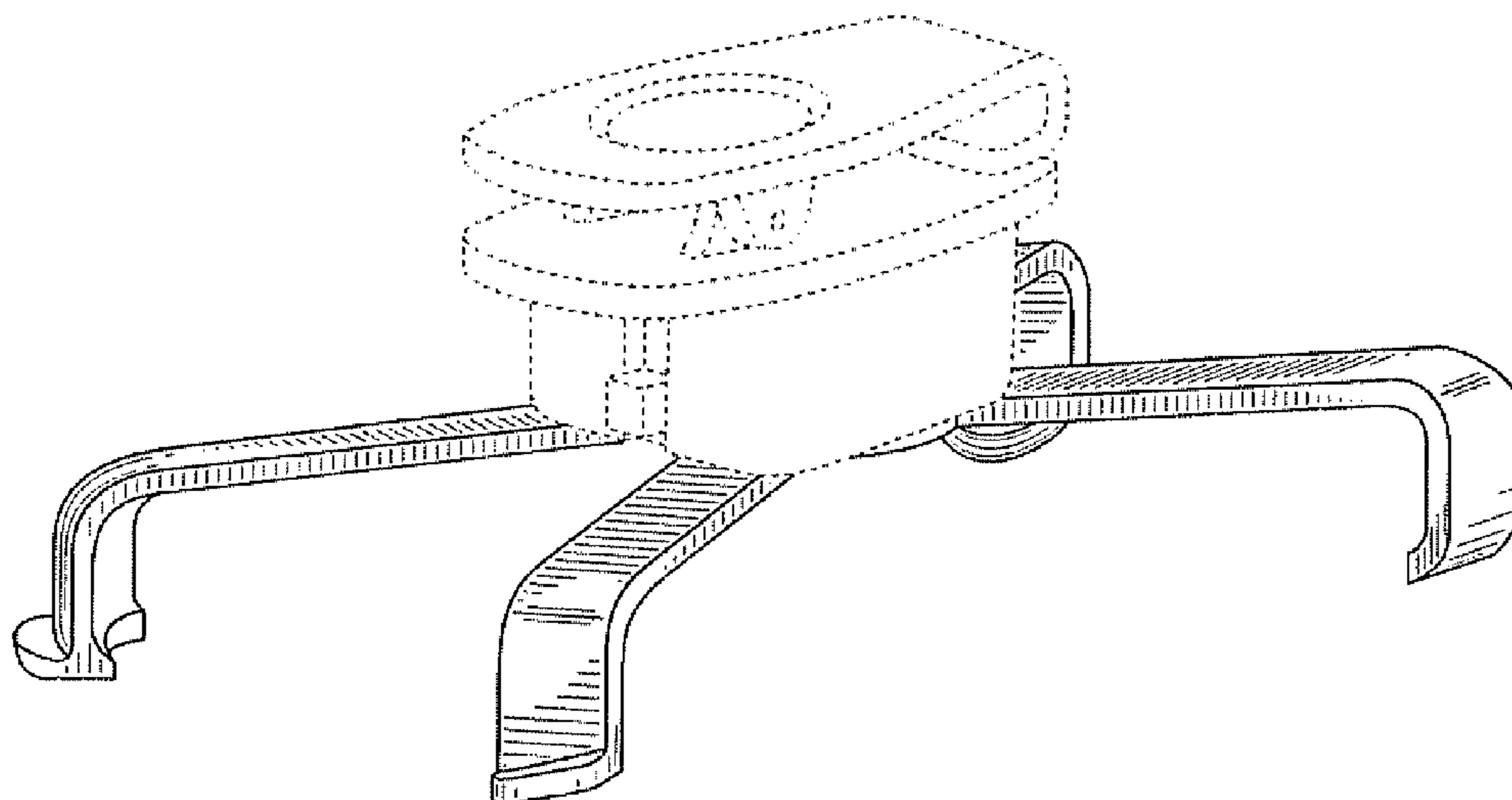
The ornamental design for a holster for an electronic device, as shown and described.

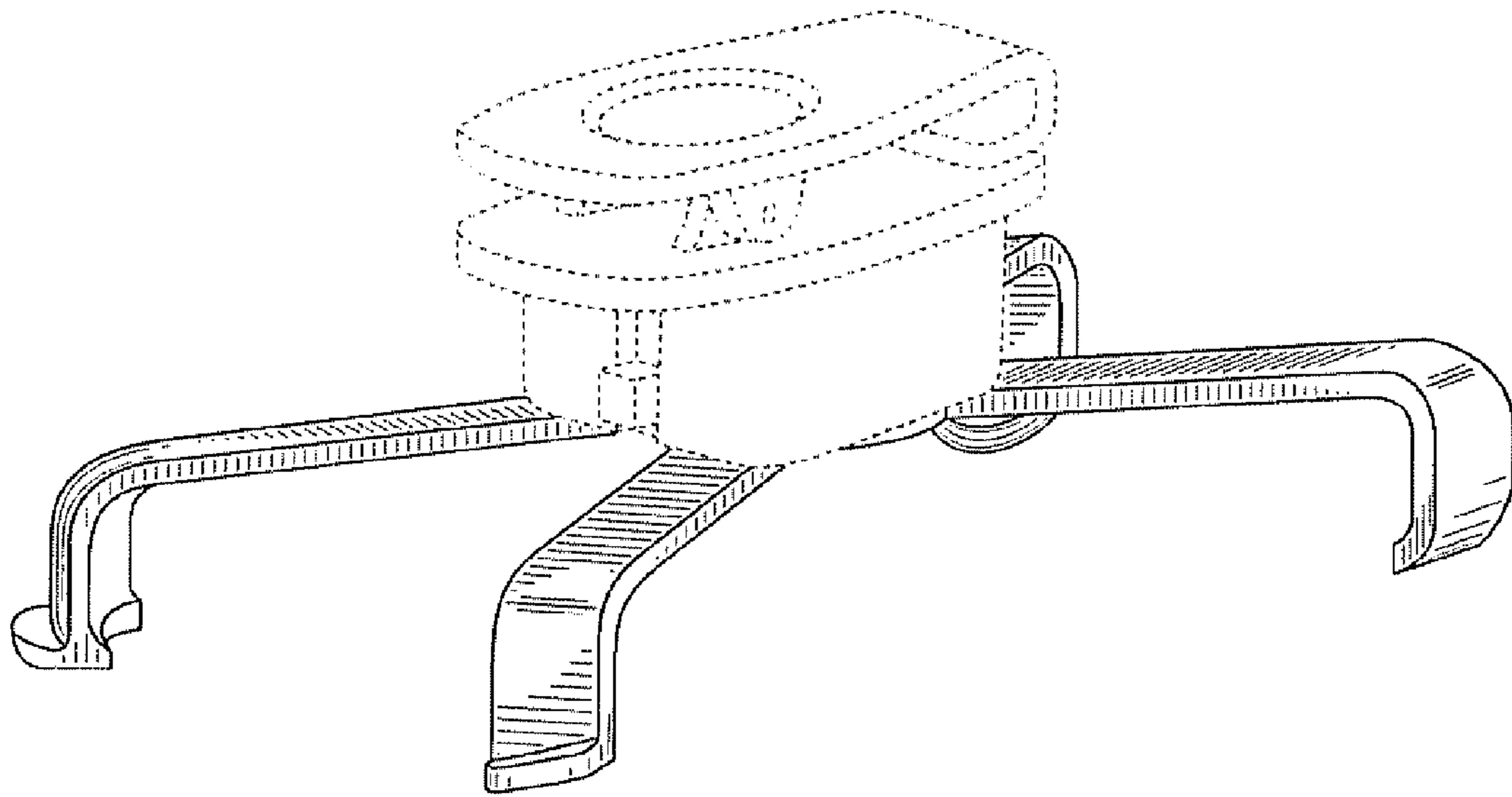
**DESCRIPTION**

FIG. 1 is a rear, left and bottom perspective view of the holster for an electronic device illustrating the new design; FIG. 2 is a rear elevation view thereof; FIG. 3 is a front elevation view thereof; FIG. 4 is a top plan view thereof; FIG. 5 is a bottom plan view thereof; FIG. 6 is a left side view thereof; and, FIG. 7 is a right side view thereof.

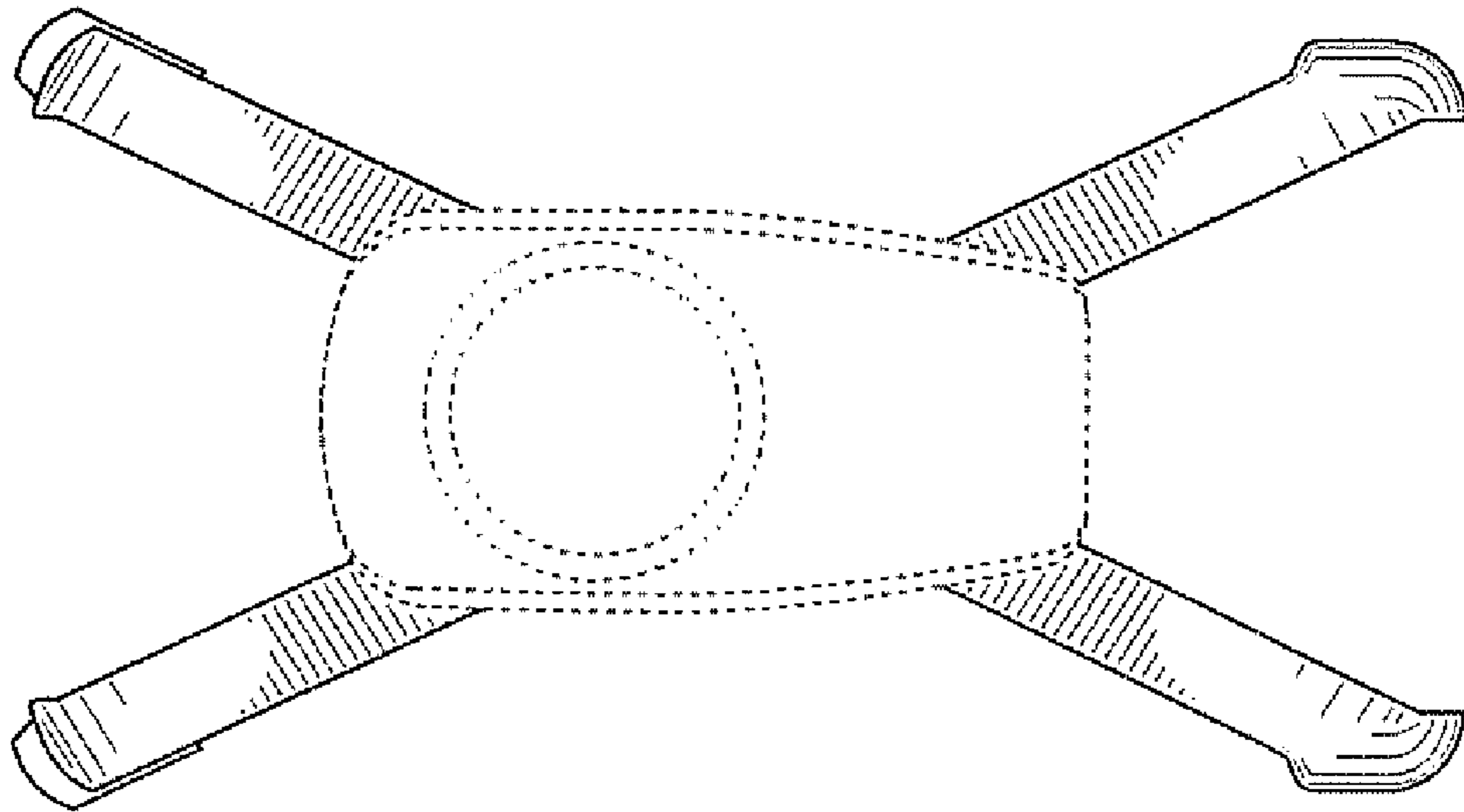
Features shown in broken lines do not form any part of or otherwise limit the claimed design.

**1 Claim, 4 Drawing Sheets**

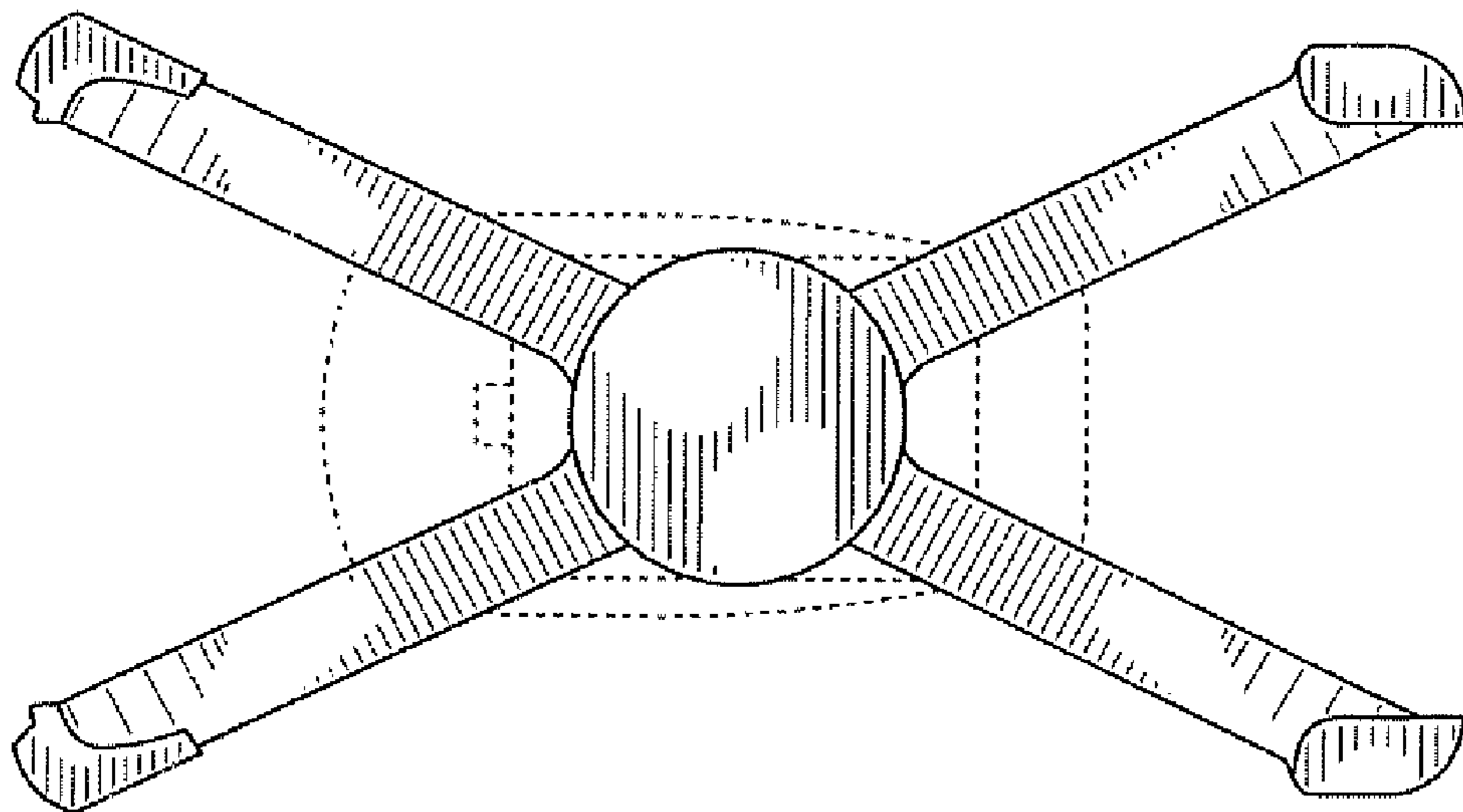




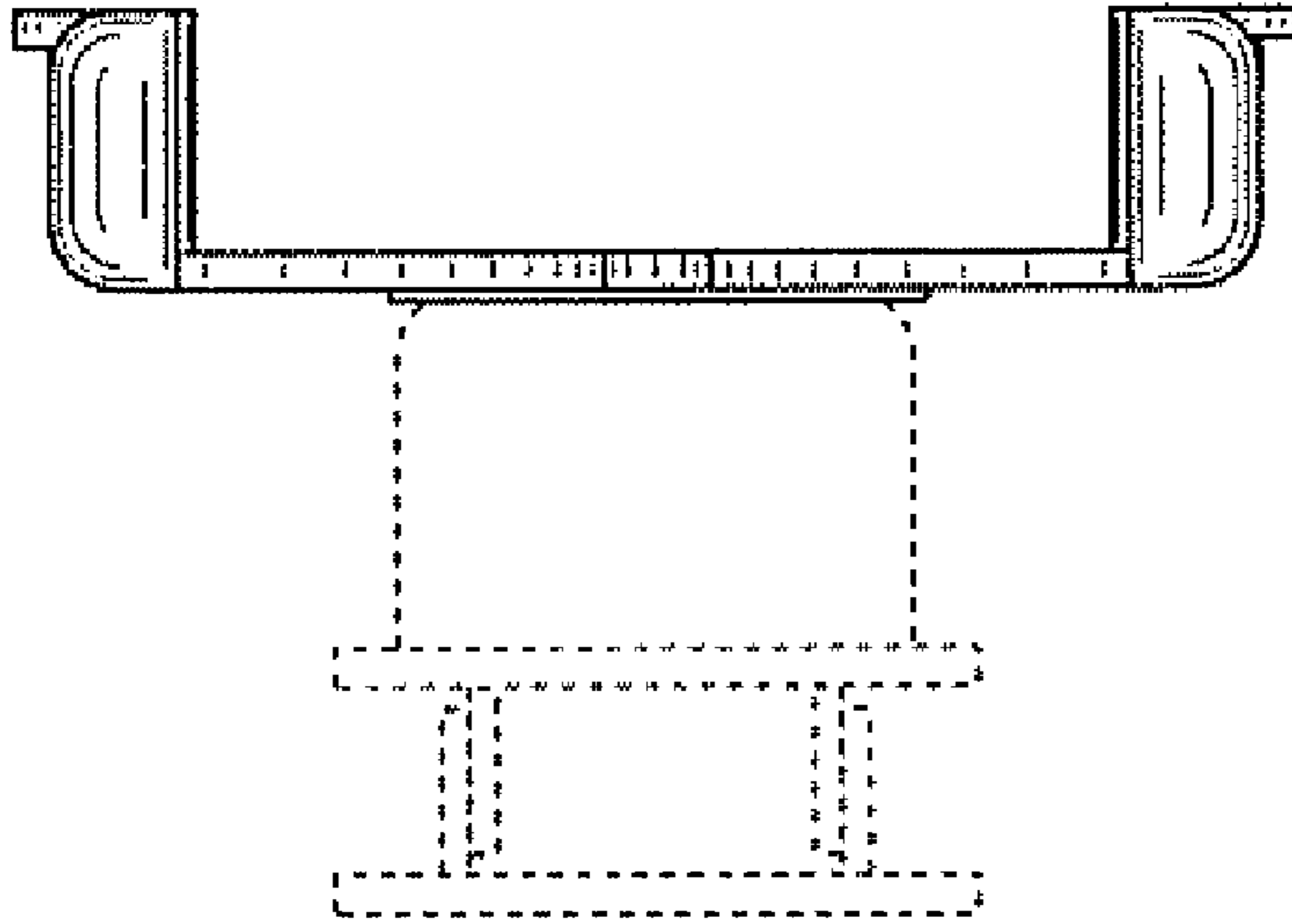
**FIG. 1**



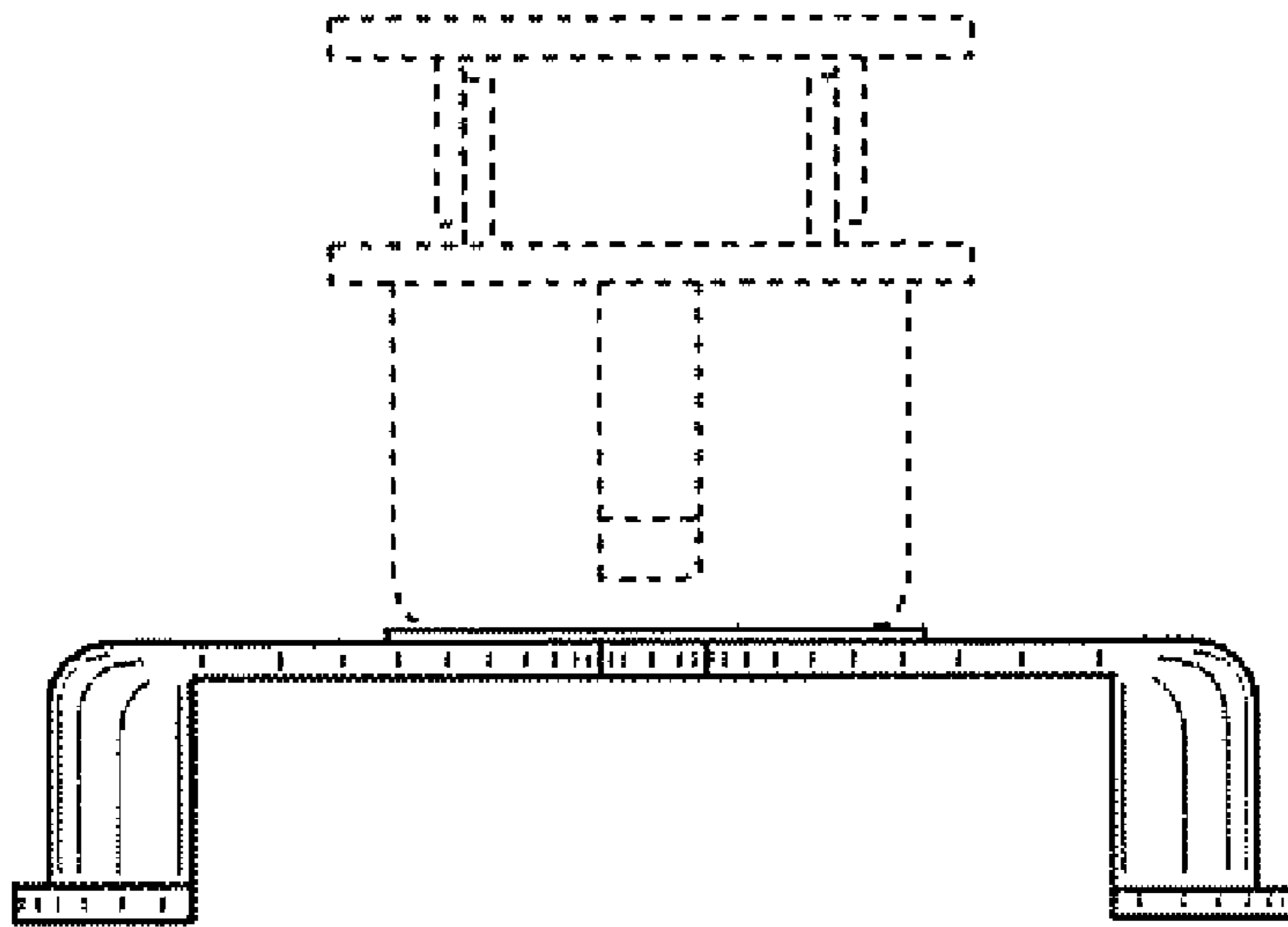
**FIG. 2**



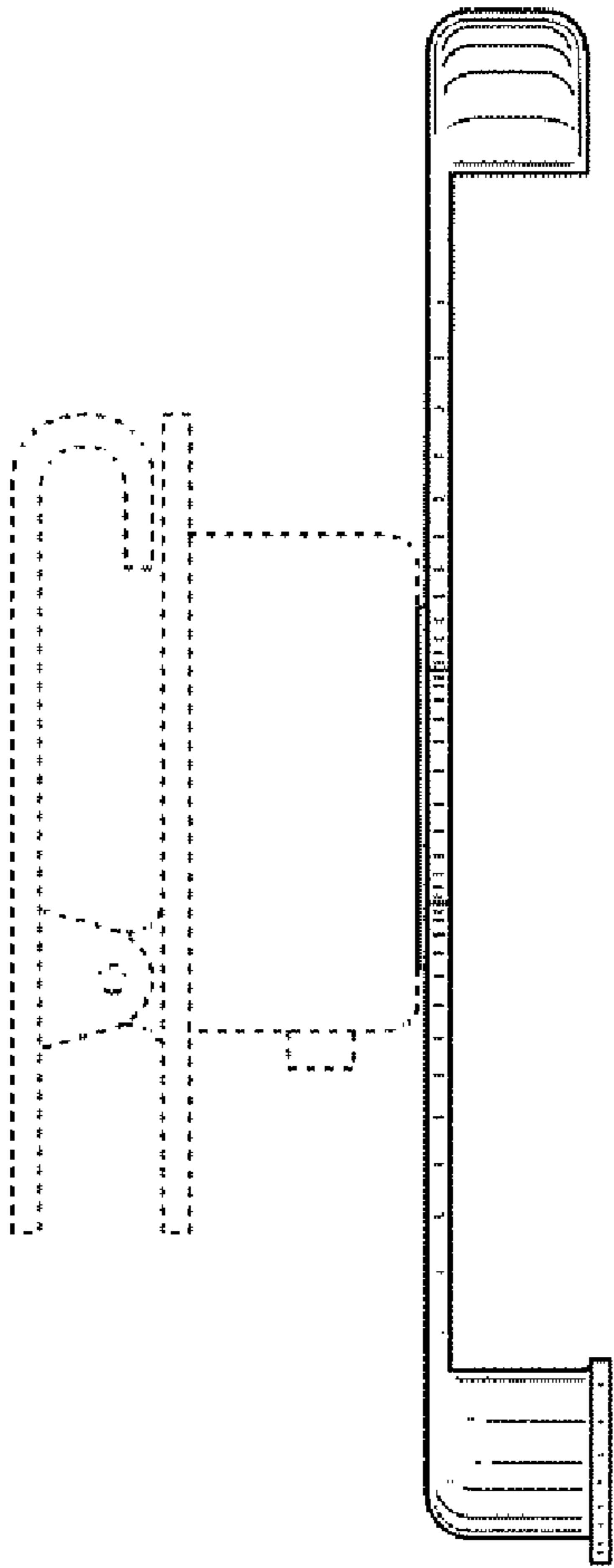
**FIG. 3**



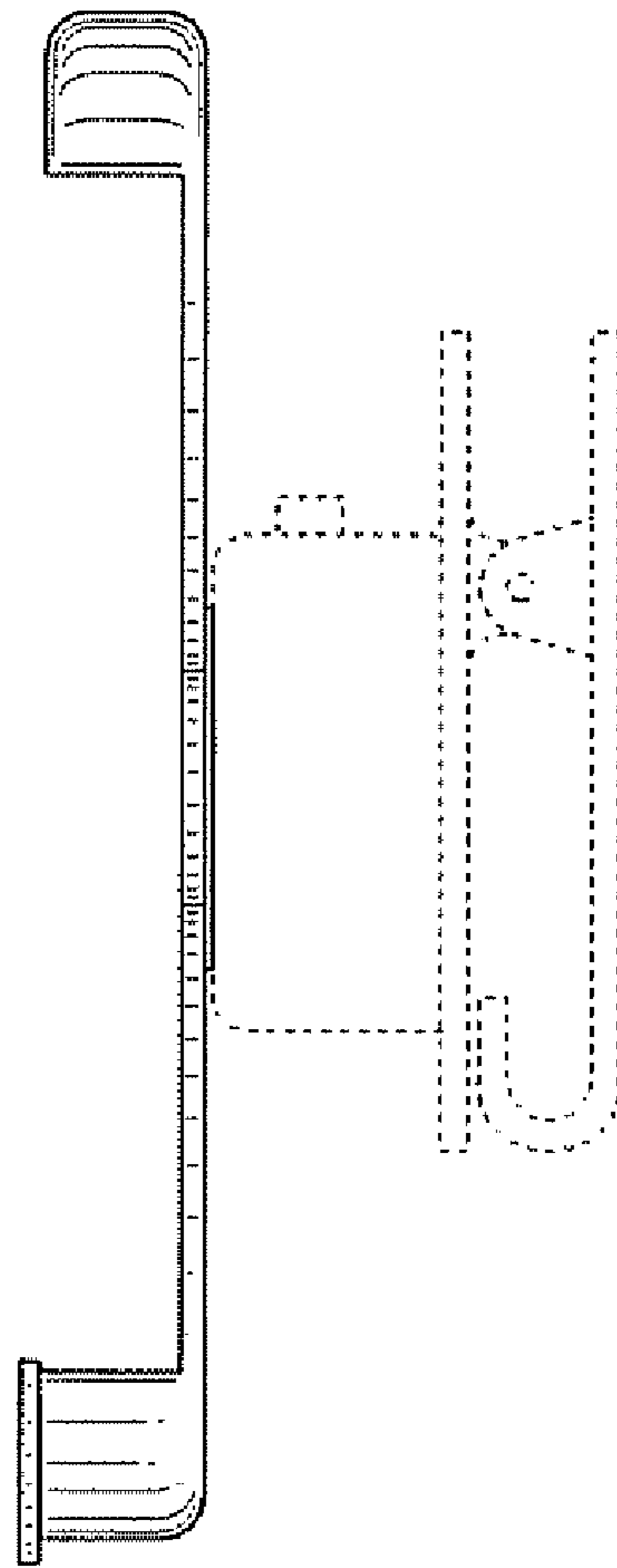
**FIG. 5**



**FIG. 4**



**FIG. 6**



**FIG. 7**