



US00D560061S

(12) **United States Design Patent**  
**Chan**

(10) **Patent No.:** **US D560,061 S**

(45) **Date of Patent:** **\*\* Jan. 22, 2008**

(54) **SHOE SOLE**

(75) Inventor: **Marya L. Chan**, Boston, MA (US)

(73) Assignee: **New Balance Athletic Shoe, Inc.**,  
Boston, MA (US)

(\*\*) Term: **14 Years**

(21) Appl. No.: **29/265,941**

(22) Filed: **Sep. 11, 2006**

**Related U.S. Application Data**

(63) Continuation-in-part of application No. 29/255,603, filed on Mar. 10, 2006, now Pat. No. Des. 532,597, and a continuation-in-part of application No. 29/255,604, filed on Mar. 10, 2006, now Pat. No. Des. 532,598, said application No. 29/255,603 is a continuation of application No. 11/077,327, filed on Mar. 10, 2005, said application No. 29/255,604 is a continuation of application No. 11/077,327.

(51) **LOC (8) Cl.** ..... **02-99**

(52) **U.S. Cl.** ..... **D2/977**

(58) **Field of Classification Search** ..... D2/902,  
D2/906-908, 946, 947-960, 964, 977; 36/26-32 R  
See application file for complete search history.

(56) **References Cited**

**U.S. PATENT DOCUMENTS**

D378,012 S *	2/1997	Le	.....	D2/964
5,797,199 A *	8/1998	Miller et al.	.....	36/28
6,769,202 B1 *	8/2004	Luthi et al.	.....	36/28
D499,247 S *	12/2004	Wahoske et al.	.....	D2/964
D499,541 S *	12/2004	Dolan	.....	D2/977
D500,585 S *	1/2005	Wahoske et al.	.....	D2/964
D511,618 S *	11/2005	McDowell et al.	.....	D2/977
7,017,285 B2 *	3/2006	Lakic	.....	36/29
D522,221 S *	6/2006	Shin	.....	D2/964

(Continued)

*Primary Examiner*—Dominic Simone

(74) *Attorney, Agent, or Firm*—Goodwin Procter LLP

(57) **CLAIM**

The ornamental design for a shoe sole, as shown and described.

**DESCRIPTION**

FIG. 1 is a perspective view of a shoe sole showing the new design;

FIG. 2 is a front elevational plan view of the shoe sole depicted in FIG. 1;

FIG. 3 is a rear elevation plan view of the shoe sole depicted in FIG. 1;

FIG. 4 is a left side elevational plan view of the shoe sole depicted in FIG. 1;

FIG. 5 is a right side elevational plan view of the shoe sole depicted in FIG. 1;

FIG. 6 is a perspective view of another embodiment of the shoe sole of FIG. 1;

FIG. 7 is a front elevational plan view of the shoe sole depicted in FIG. 6;

FIG. 8 is a rear elevation plan view of the shoe sole depicted in FIG. 6;

FIG. 9 is a left side elevational plan view of the shoe sole depicted in FIG. 6;

FIG. 10 is a right side elevational plan view of the shoe sole depicted in FIG. 6;

FIG. 11 is a perspective view of yet another embodiment of the shoe sole of FIG. 1;

FIG. 12 is a front elevational plan view of the shoe sole depicted in FIG. 11;

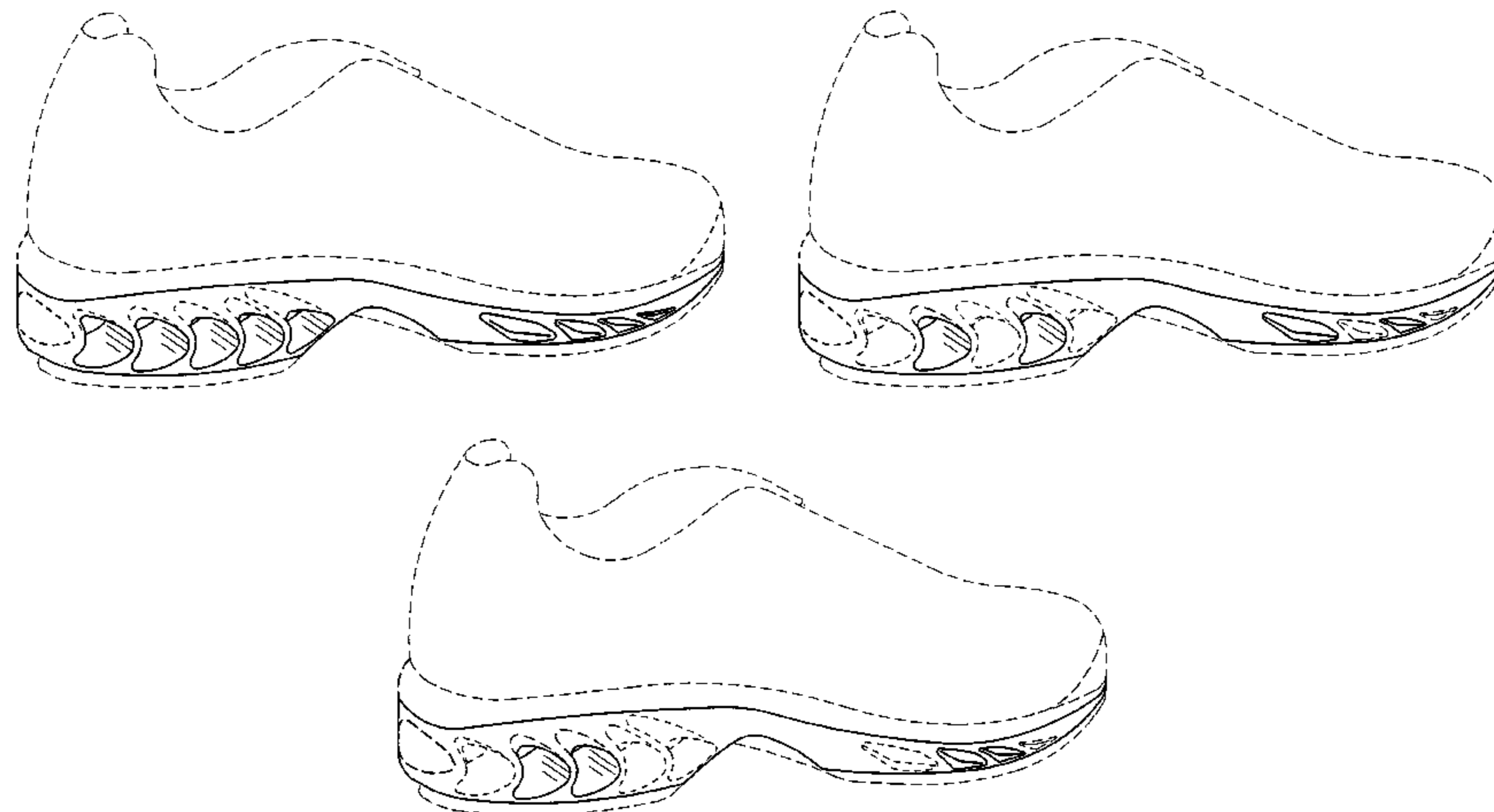
FIG. 13 is a rear elevation plan view of the shoe sole depicted in FIG. 11;

FIG. 14 is a left side elevational plan view of the shoe sole depicted in FIG. 11; and,

FIG. 15 is a right side elevational plan view of the shoe sole depicted in FIG. 11.

The broken lines in the Figures are for illustrative purposes only and form no part of the claimed design.

**1 Claim, 15 Drawing Sheets**



# US D560,061 S

Page 2

---

## U.S. PATENT DOCUMENTS

D522,230 S *	6/2006	Young .....	D2/977	D532,598 S *	11/2006	Chan .....	D2/977
D523,232 S *	6/2006	Shaffer .....	D2/977	D543,689 S *	6/2007	Chan .....	D2/977
D523,628 S *	6/2006	Young .....	D2/977	D549,942 S *	9/2007	Ho .....	D2/964
D524,035 S *	7/2006	Greene et al. ....	D2/977	D549,943 S *	9/2007	Ho .....	D2/964
D524,535 S *	7/2006	Cass .....	D2/977	D549,944 S *	9/2007	Ho .....	D2/964
D527,879 S *	9/2006	Cessor .....	D2/964	D549,945 S *	9/2007	Ho .....	D2/964
D529,267 S *	10/2006	Portzline .....	D2/964	D549,946 S *	9/2007	Ho .....	D2/964
D532,597 S *	11/2006	Chan .....	D2/977	D553,338 S *	10/2007	Holmes .....	D2/964

\* cited by examiner

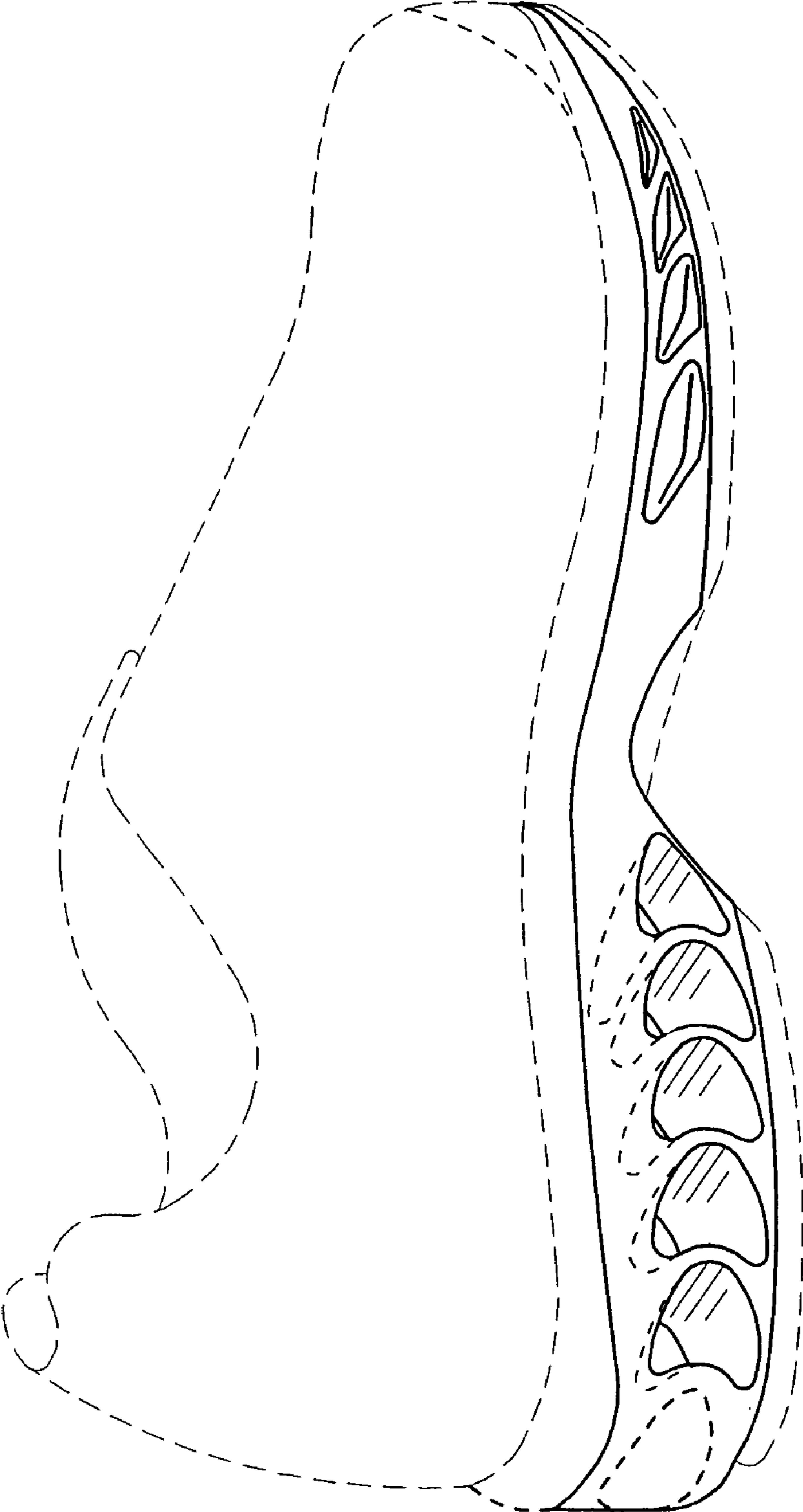


FIG. 1

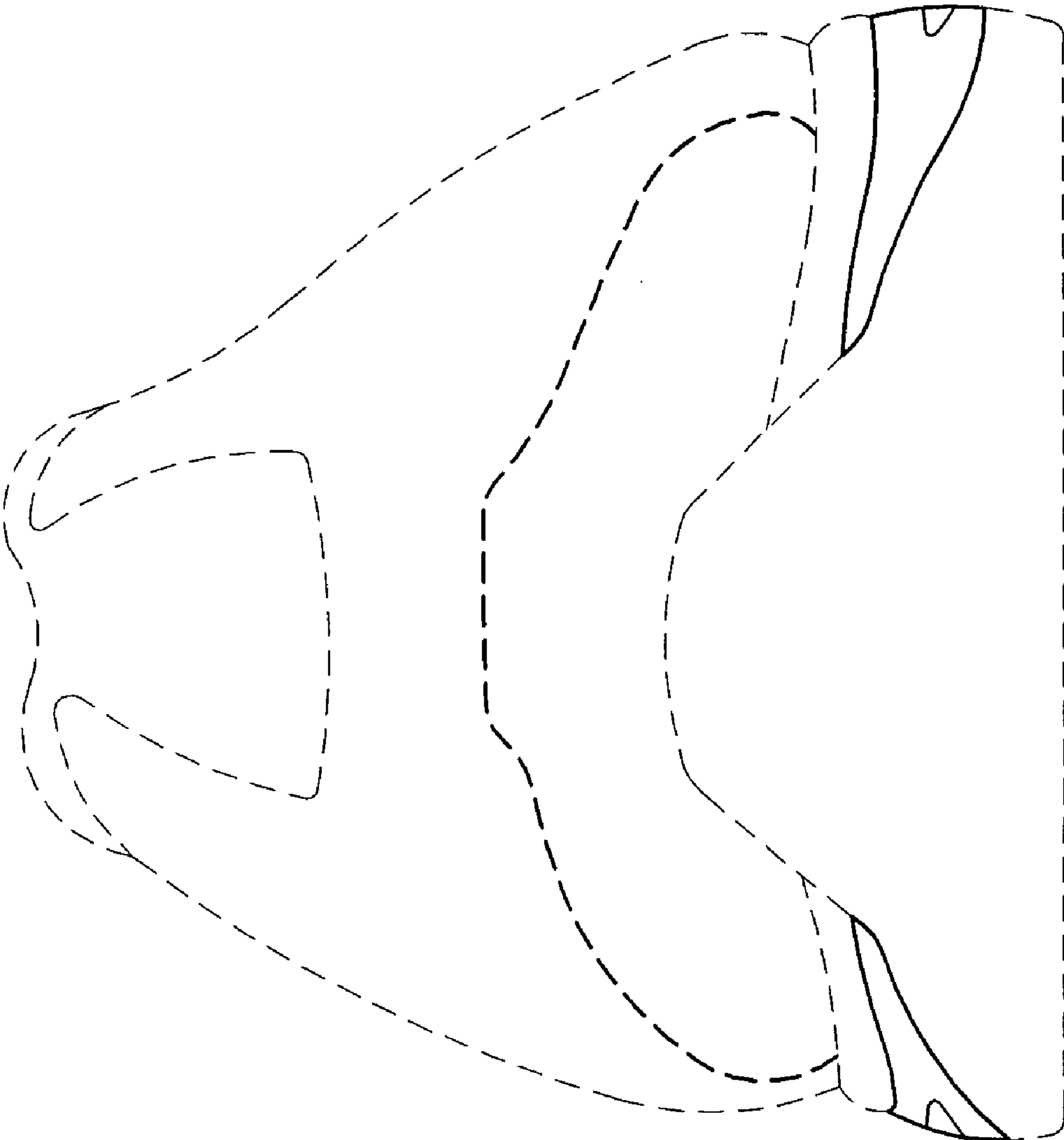


FIG. 2

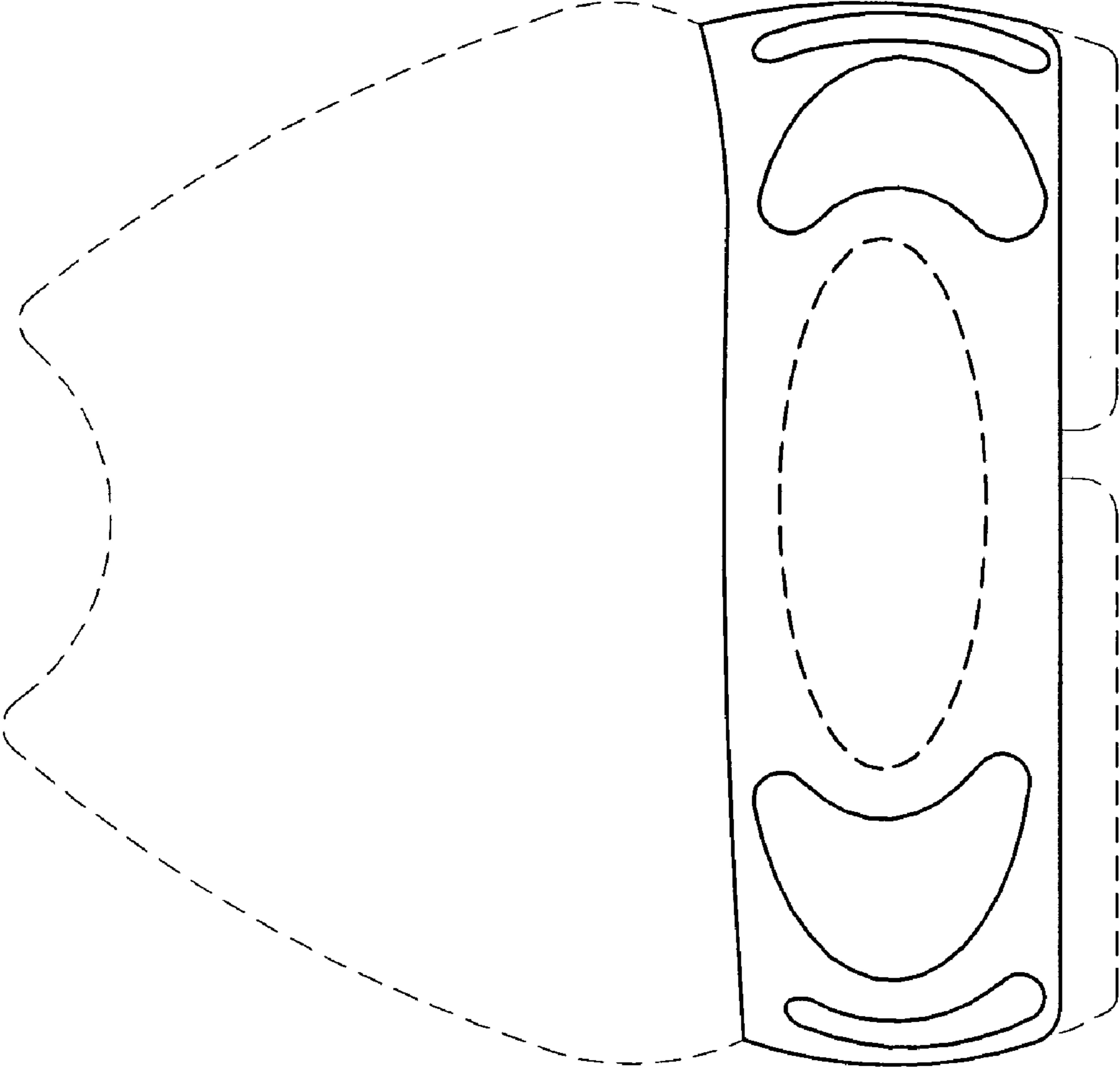


FIG. 3

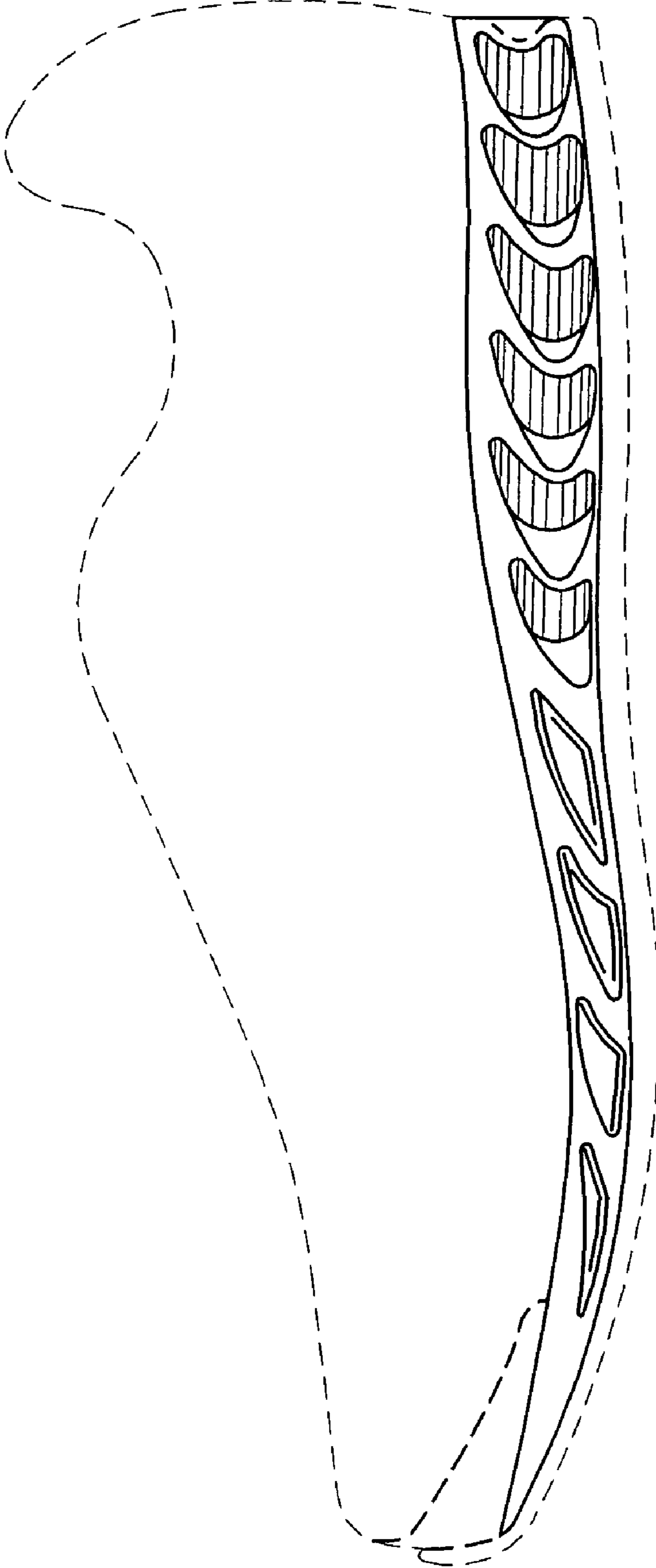
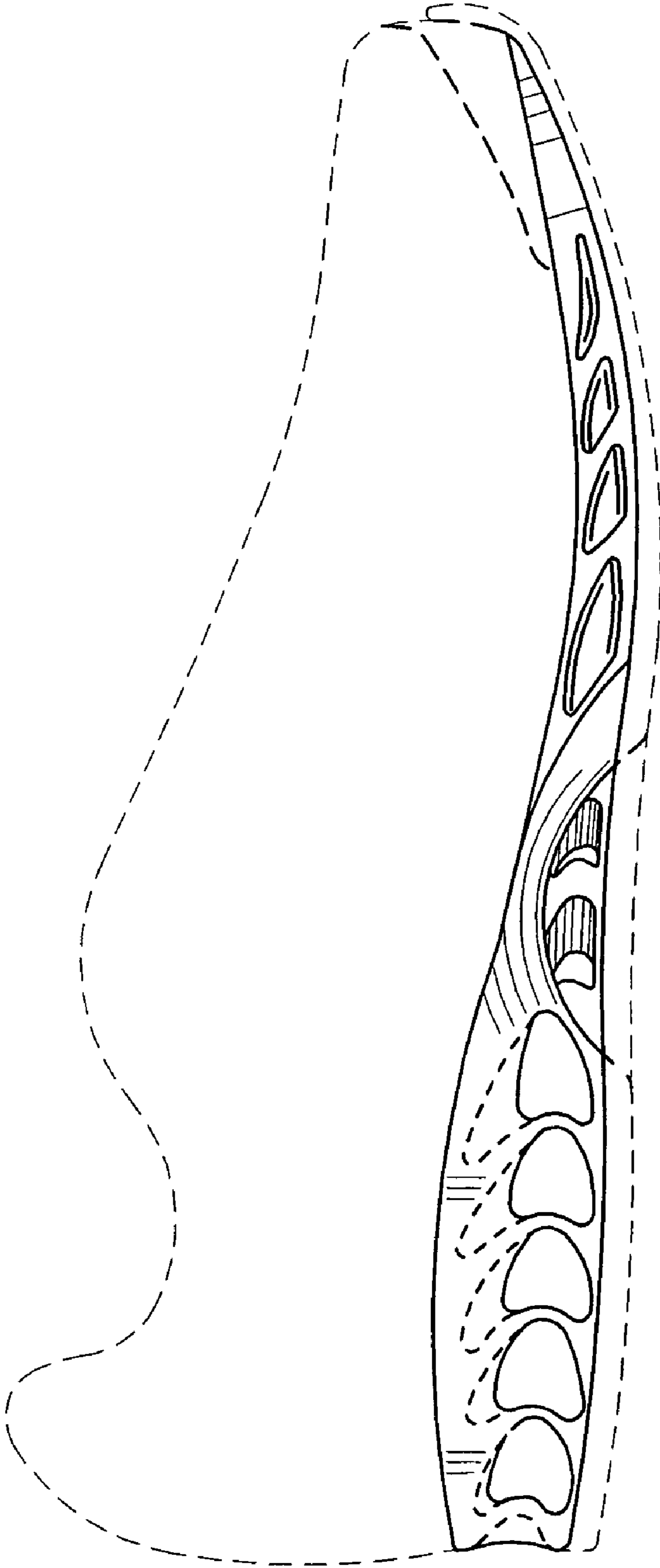


FIG. 4

FIG. 5





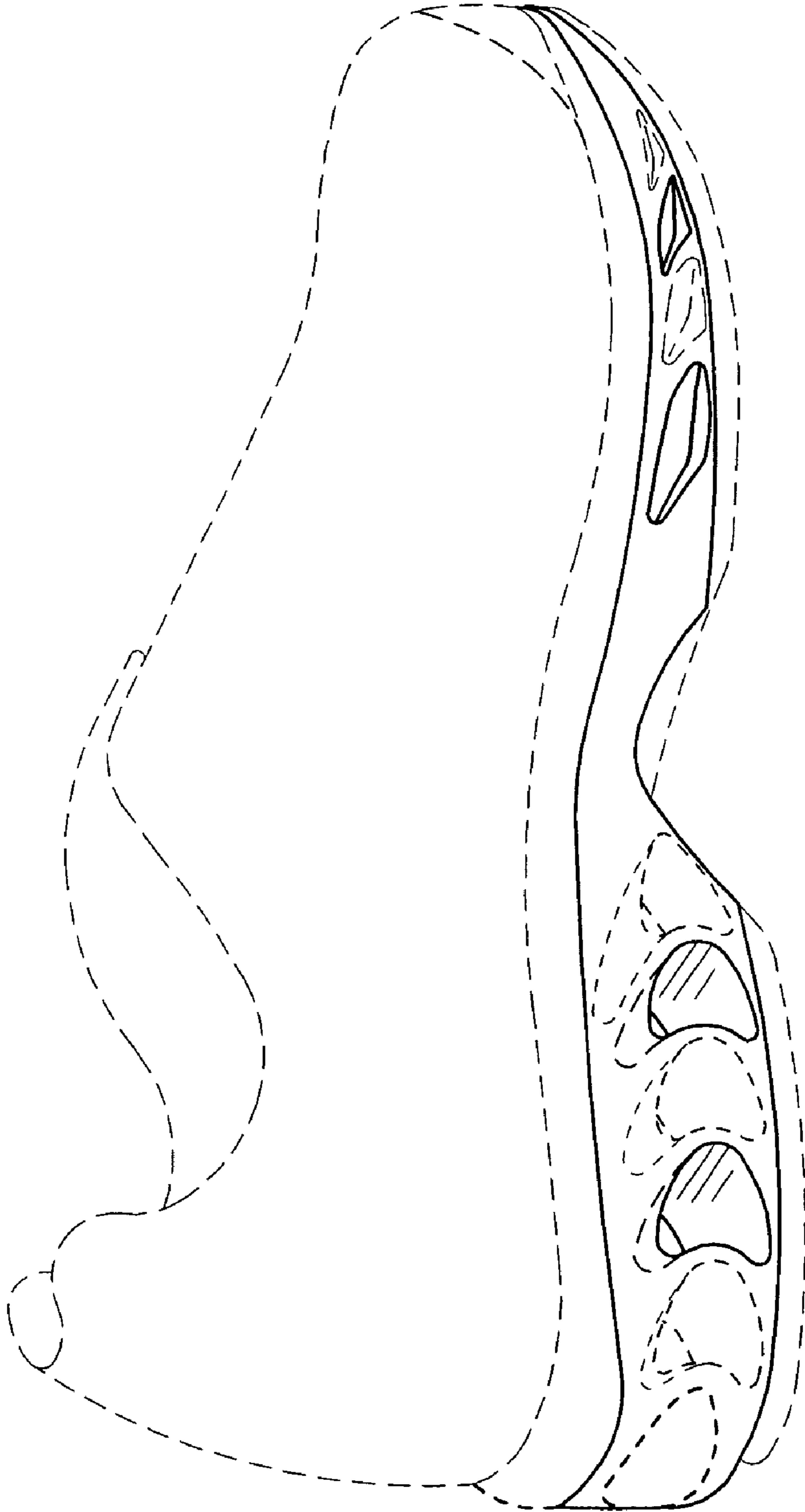


FIG. 6



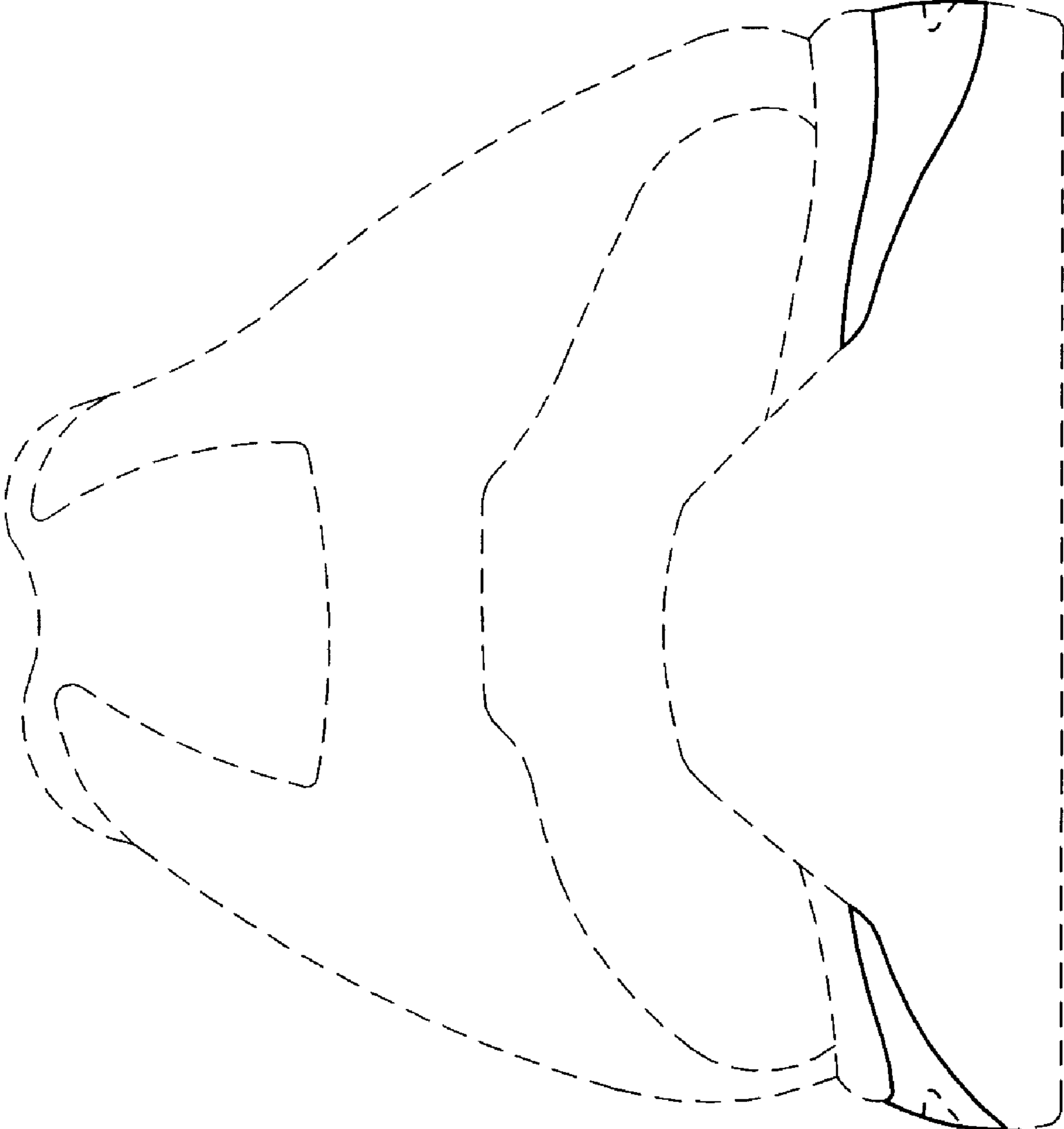


FIG. 7

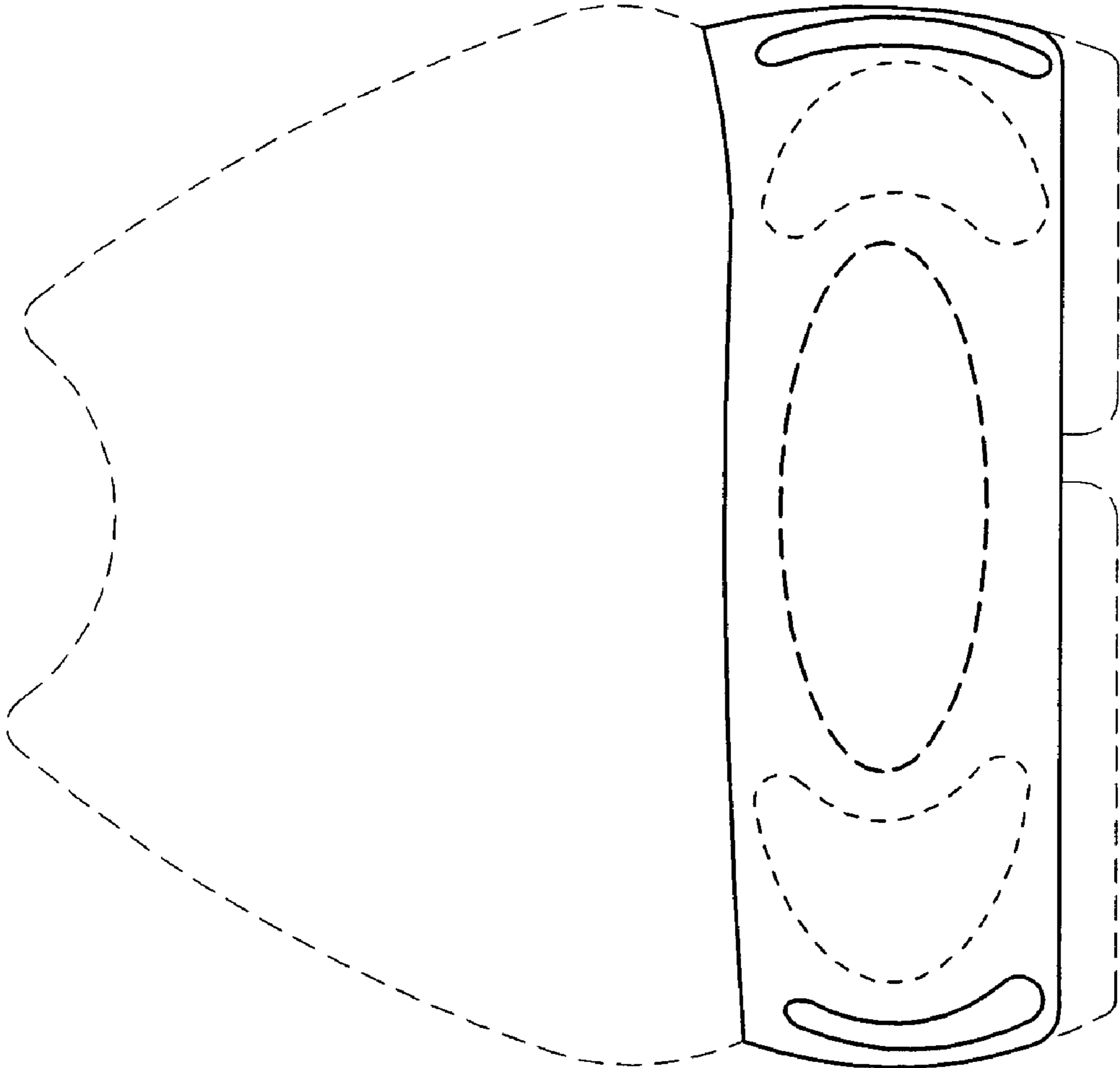


FIG. 8

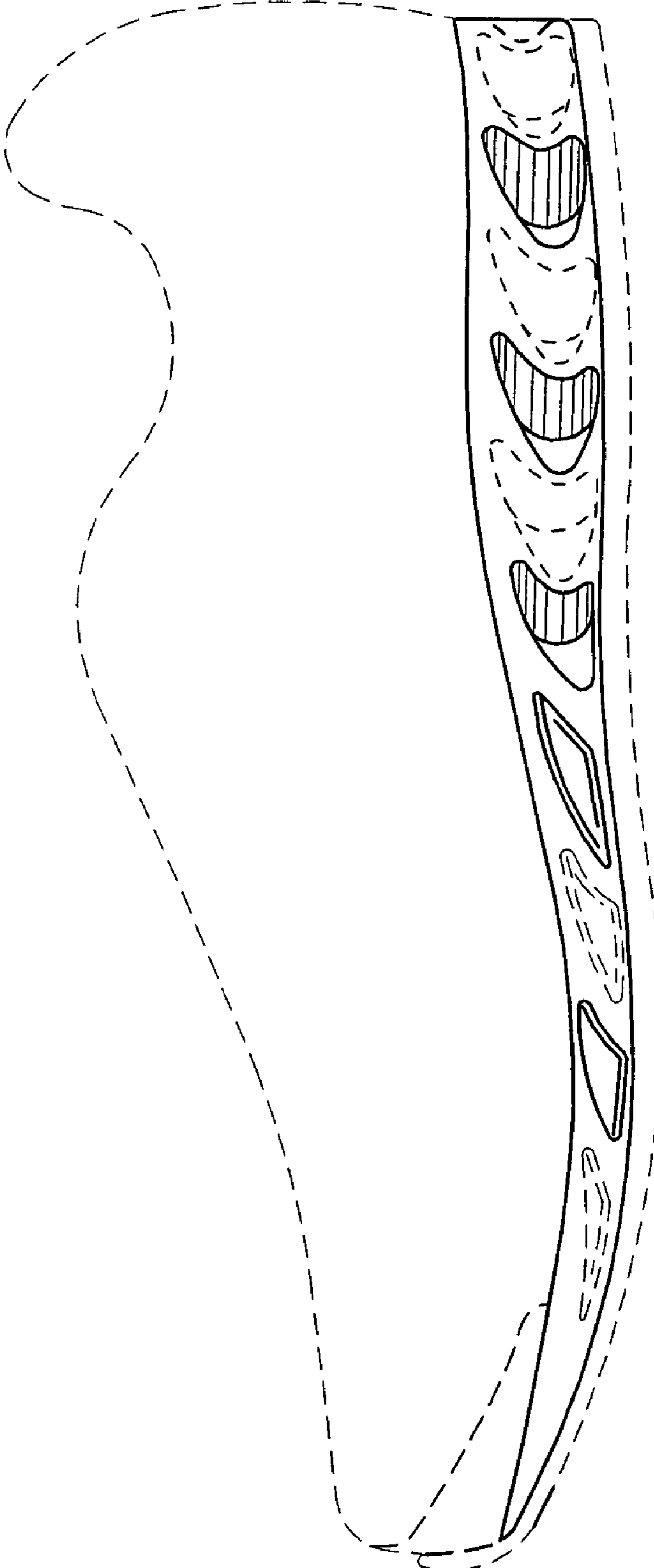


FIG. 9

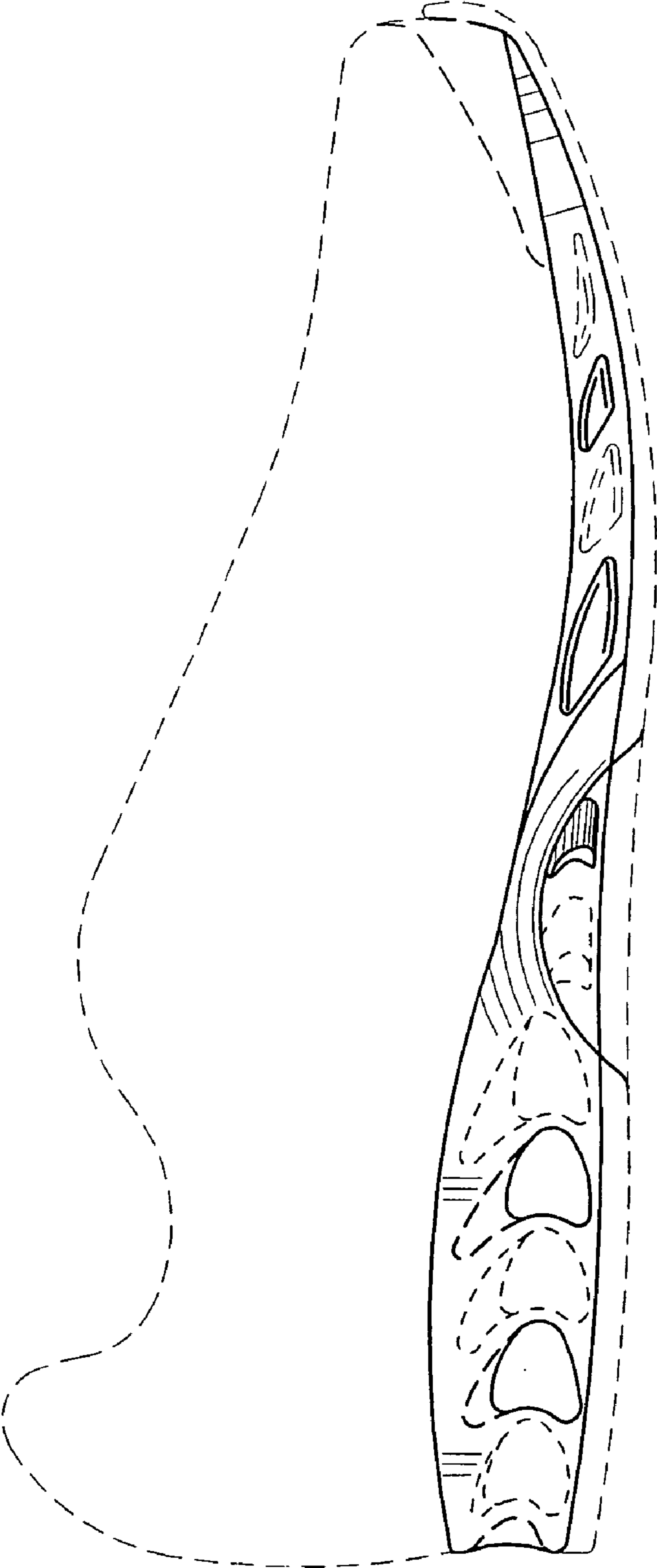


FIG. 10

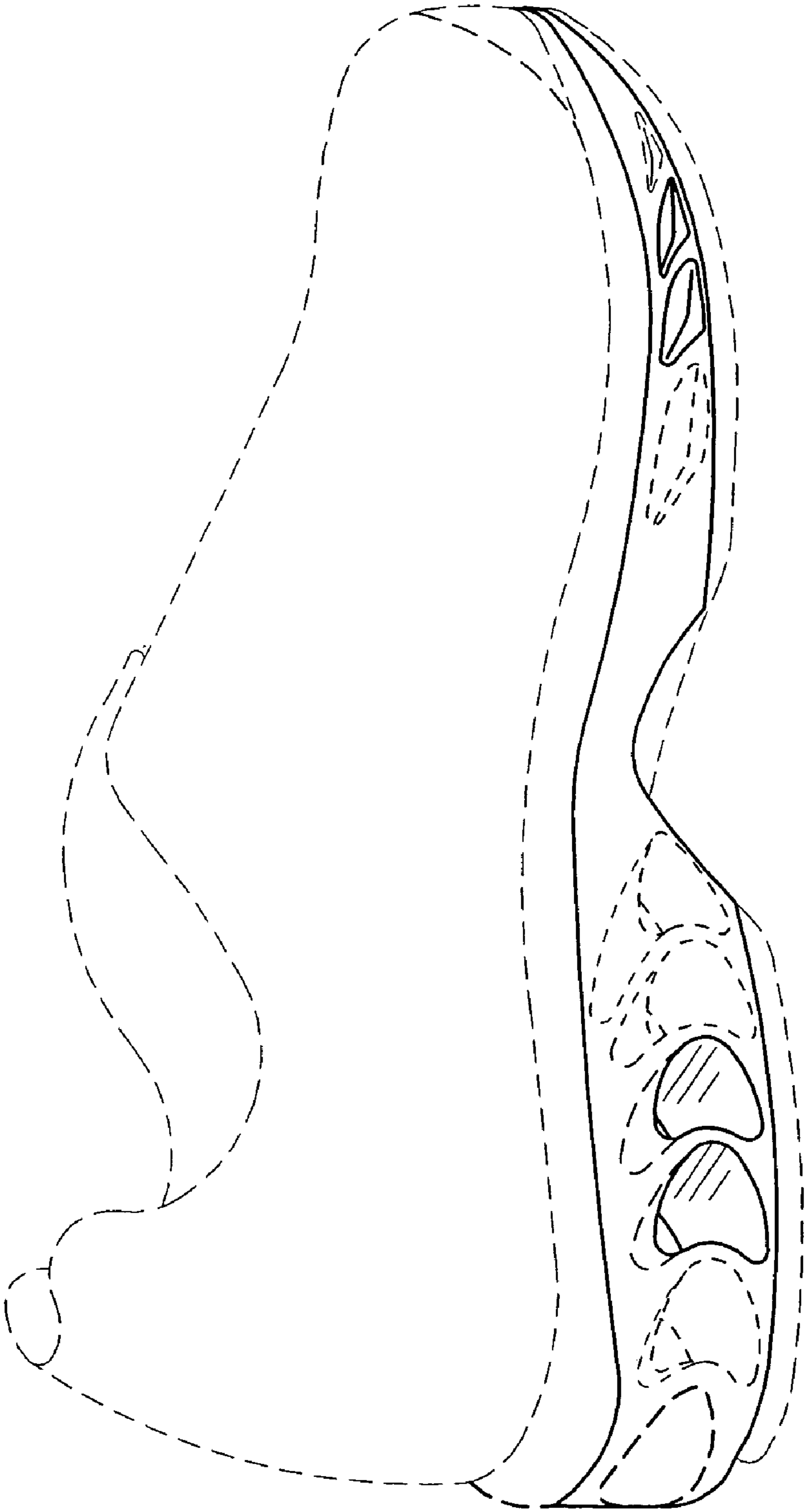


FIG. 11

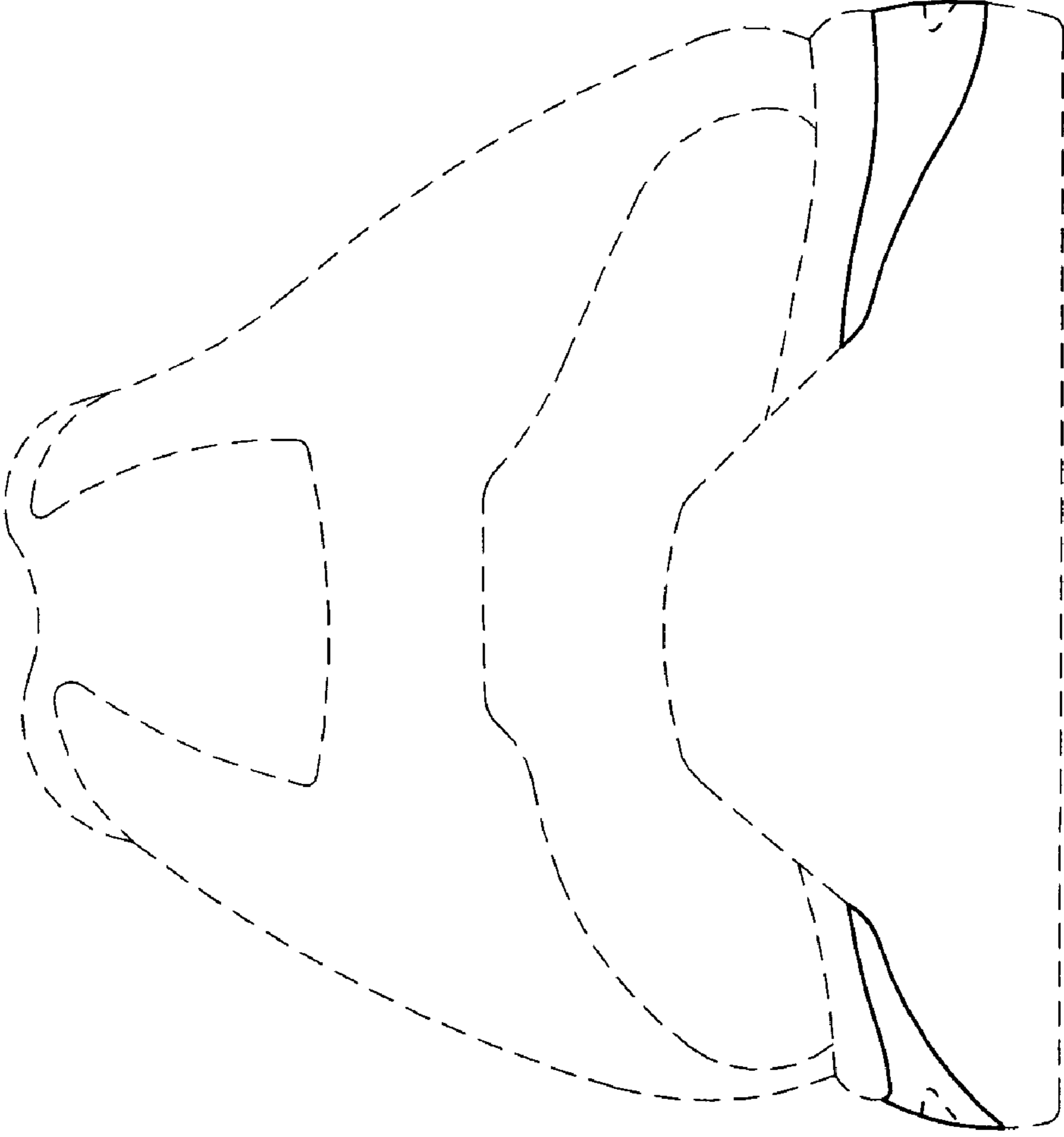


FIG. 12

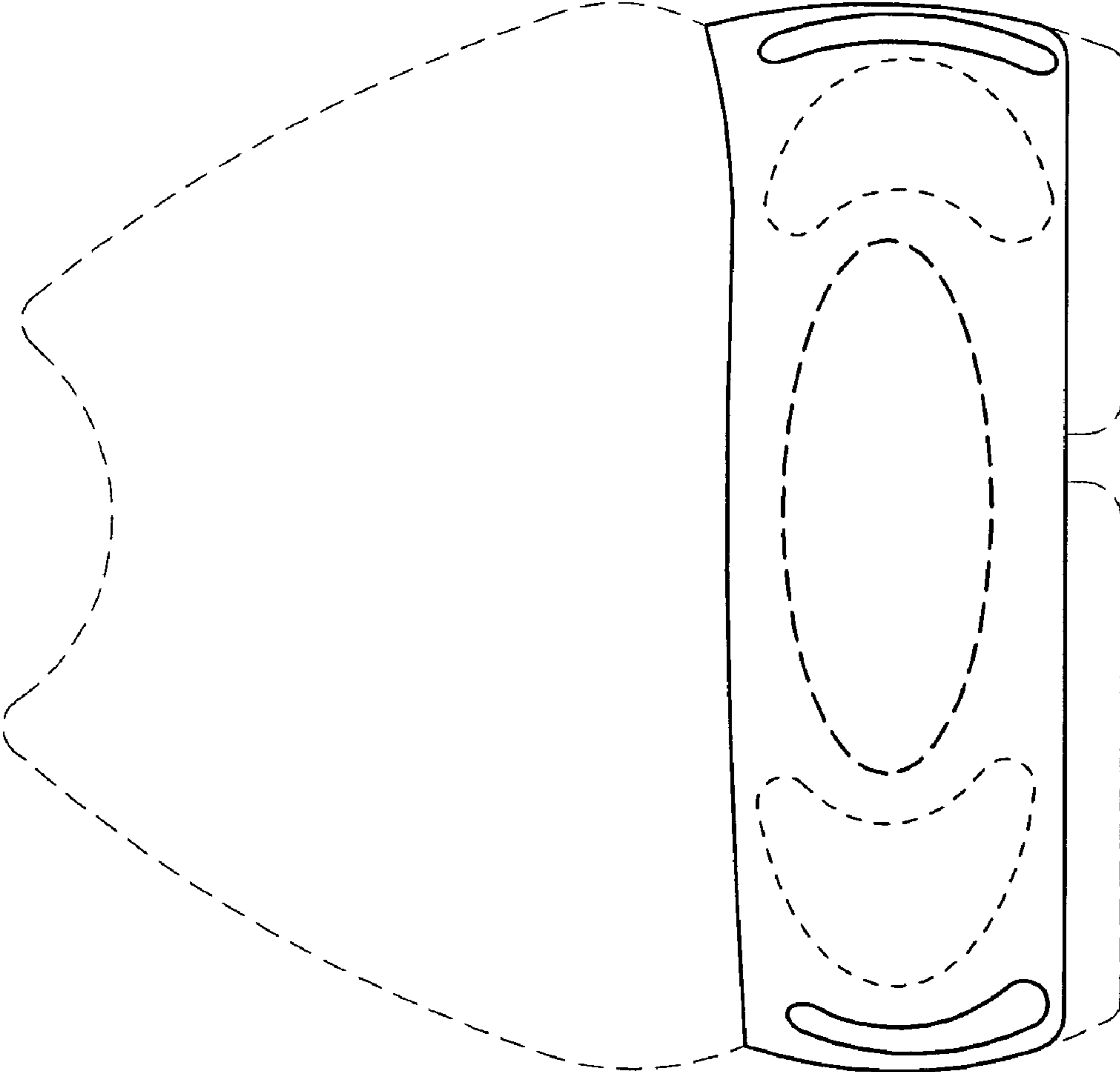


FIG. 13



FIG. 14

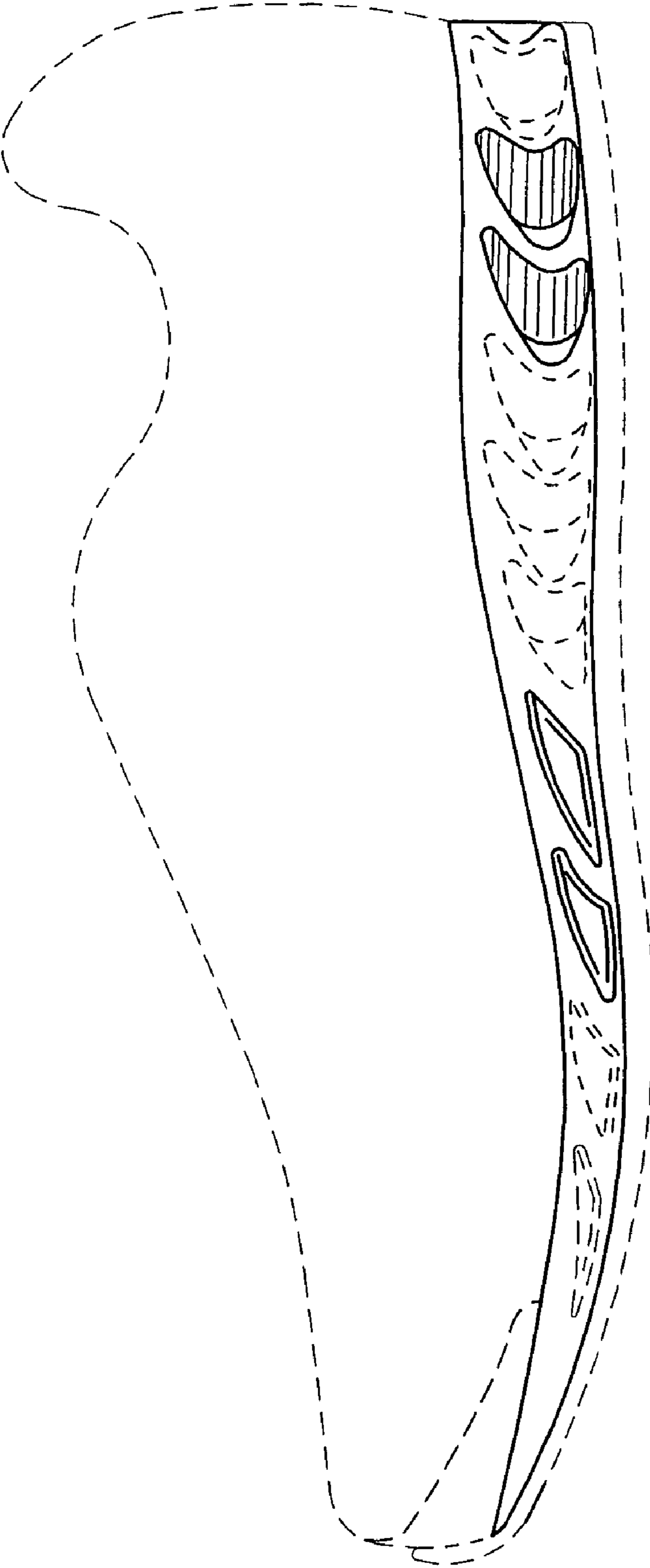


FIG. 15

