



US00D560051S

(12) **United States Design Patent**  
**Robinson**

(10) **Patent No.:** **US D560,051 S**  
(45) **Date of Patent:** **\*\* Jan. 22, 2008**

(54) **CROWN CAP**

(57) **CLAIM**

(76) Inventor: **Rhasaiah Jerome Robinson**, 103 Aljoy Ct. Apt. 5, Cincinnati, OH (US) 45215

The ornamental design for a crown cap, as shown and described.

(\*\*) Term: **14 Years**

**DESCRIPTION**

(21) Appl. No.: **29/279,028**

FIG. 1 is a front perspective view of a first embodiment of a crown cap, showing my new invention;

(22) Filed: **Apr. 18, 2007**

FIG. 2 is a front elevation view thereof;

(51) **LOC (8) Cl.** ..... **02-03**

FIG. 3 is a rear elevation view thereof;

(52) **U.S. Cl.** ..... **D2/882**

FIG. 4 is a left side elevational view thereof;

(58) **Field of Classification Search** ..... D2/865,

FIG. 5 is a right side elevational view thereof;

D2/866, 869, 871, 872, 873, 874, 875, 876,

FIG. 6 is a top plan view thereof;

D2/877, 879, 881, 882, 884, 885, 886, 891,

FIG. 7 is a bottom plan view thereof;

D2/892, 893; 2/10, 171, 171.1, 171.4, 171.6,

FIG. 8 is a perspective view of a second embodiment of the crown cap as shown in FIG. 1;

2/171.8, 181.4, 183, 184, 175.1, 175.2, 175.3,

FIG. 9 is a front elevational view of the embodiment shown in FIG. 8;

2/175.9, 195.1, 195.2, 200.3, 209.11, 209.12,

FIG. 10 is a rear plan view thereof;

2/209.13, 209.3, 209.5, 209, 410, 184.5

FIG. 11 is a left side elevational view thereof;

See application file for complete search history.

FIG. 12 is a right side elevational view thereof;

(56) **References Cited**

**U.S. PATENT DOCUMENTS**

29,724 A 8/1860 Smith

FIG. 13 is a top plan view thereof;

FIG. 14 is a bottom plan view thereof;

(Continued)

**FOREIGN PATENT DOCUMENTS**

JP 2003147621 A 5/2003

FIG. 15 is a perspective view of a third embodiment of the crown cap as shown in FIG. 1;

FIG. 16 is a front elevational view of the embodiment shown in FIG. 15;

FIG. 17 is a rear plan view thereof;

FIG. 18 is a left side elevational view thereof;

FIG. 19 is a right side elevational view thereof;

**OTHER PUBLICATIONS**

New Birthday Boy Hat Crown, Babys 1st, Store4More, <http://cgi.ebay.com>, 4 pages.

FIG. 20 is a top plan view thereof; and,

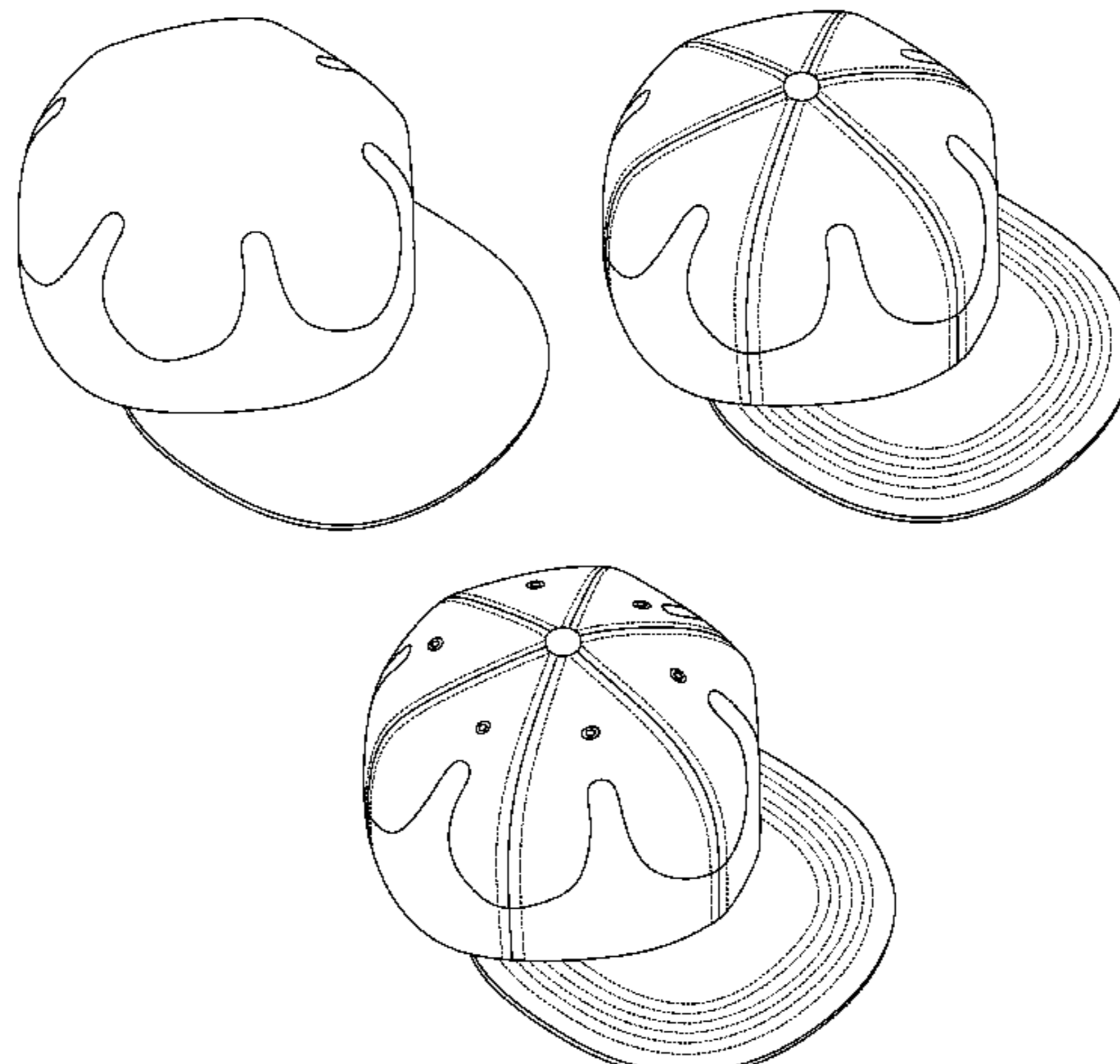
FIG. 21 is a bottom plan view thereof.

The broken lines shown alongside either side of the gore seams and on the top of the visor represent stitching and are part of the claimed design. The broken lines in FIGS. 7, 14, and 21 define the bounds of the claimed design and form no part thereof.

(Continued)

*Primary Examiner*—Caron D. Veynar  
*Assistant Examiner*—Karen E Eldridge Powers  
(74) *Attorney, Agent, or Firm*—Steven J. Rosen

**1 Claim, 12 Drawing Sheets**



# US D560,051 S

Page 2

## U.S. PATENT DOCUMENTS

191,061 A \* 5/1877 Kuhlman ..... 2/272  
296,557 A \* 4/1884 Haegen ..... 2/175.1  
D25,987 S \* 9/1896 Plumley ..... D2/882  
D40,028 S \* 6/1909 Volat ..... D2/885  
D49,618 S \* 9/1916 O'Leary ..... D2/873  
D49,678 S 9/1916 Spotswood  
1,198,170 A \* 9/1916 Vokes ..... 2/181.2  
D66,331 S \* 12/1924 Pegg ..... D2/877  
1,624,727 A 4/1927 Goldberg  
1,704,576 A \* 3/1929 Pellegrino ..... 2/195.7  
1,782,206 A \* 11/1930 Kornsweet ..... 2/12  
1,808,681 A \* 6/1931 Rayburn ..... 132/274  
D93,898 S \* 11/1934 Uriwal ..... D29/104  
1,997,708 A \* 4/1935 Uriwal ..... 2/195.1  
D96,420 S \* 7/1935 Shore ..... D2/867  
2,121,296 A \* 6/1938 Jones ..... 2/416  
D145,560 S \* 9/1946 Bonn ..... D2/869  
2,483,101 A \* 9/1949 Nelms ..... 2/181  
D156,442 S \* 12/1949 Levine ..... D2/869  
2,632,173 A \* 3/1953 Lyon ..... 2/181.2  
2,682,668 A 7/1954 Hoefflich  
D187,519 S \* 3/1960 Lasting ..... D2/865  
D189,921 S 3/1961 Hyman  
D232,984 S \* 10/1974 Hurwitz ..... D2/869  
D289,340 S 4/1987 Scheurer et al.  
4,719,651 A 1/1988 Tereshinski  
4,739,991 A \* 4/1988 Flinn, Jr. .... 473/210  
D340,570 S 10/1993 Gray  
5,577,520 A \* 11/1996 Sluder ..... 132/214  
D384,793 S \* 10/1997 Brown ..... D2/879

D385,389 S \* 10/1997 Bell ..... D2/886  
D386,889 S \* 12/1997 Bell ..... D2/884  
D400,692 S \* 11/1998 Bell ..... D2/882  
D404,892 S \* 2/1999 O'Brien ..... D2/872  
D406,440 S \* 3/1999 Wulle ..... D2/879  
D425,688 S \* 5/2000 Richlin ..... D2/865  
D429,404 S \* 8/2000 DeChambeau ..... D2/866  
D441,810 S 5/2001 Pate  
6,243,876 B1 \* 6/2001 Provenzano et al. .... 2/172  
D444,618 S \* 7/2001 Wilson ..... D2/882  
D458,737 S \* 6/2002 Fuerst ..... D2/892  
D465,641 S \* 11/2002 Provenzano et al. .... D2/882  
D488,293 S \* 4/2004 Norway, Jr. .... D2/882  
6,845,520 B2 \* 1/2005 Kim ..... 2/181  
7,020,900 B2 \* 4/2006 Ngan ..... 2/181  
2003/0070207 A1 \* 4/2003 Lee ..... 2/195.1  
2004/0244093 A1 \* 12/2004 Kim ..... 2/171  
2006/0257197 A1 \* 11/2006 Papa et al. .... 401/118

## OTHER PUBLICATIONS

Birthday Crown, Baby Ultimate Home, <http://www.babyultimate.com>, 1 page.  
Royal Birthday Crown, Celebrate Express, <http://www.celebrateexpress.com>, 1 page.  
Baby Clothes and Costumes, Baby Clothes, Costumes, Boutique Infant & Toddler Clothing, Clothes For Kids, <http://www.babyultimate.com>, 1 page.

\* cited by examiner

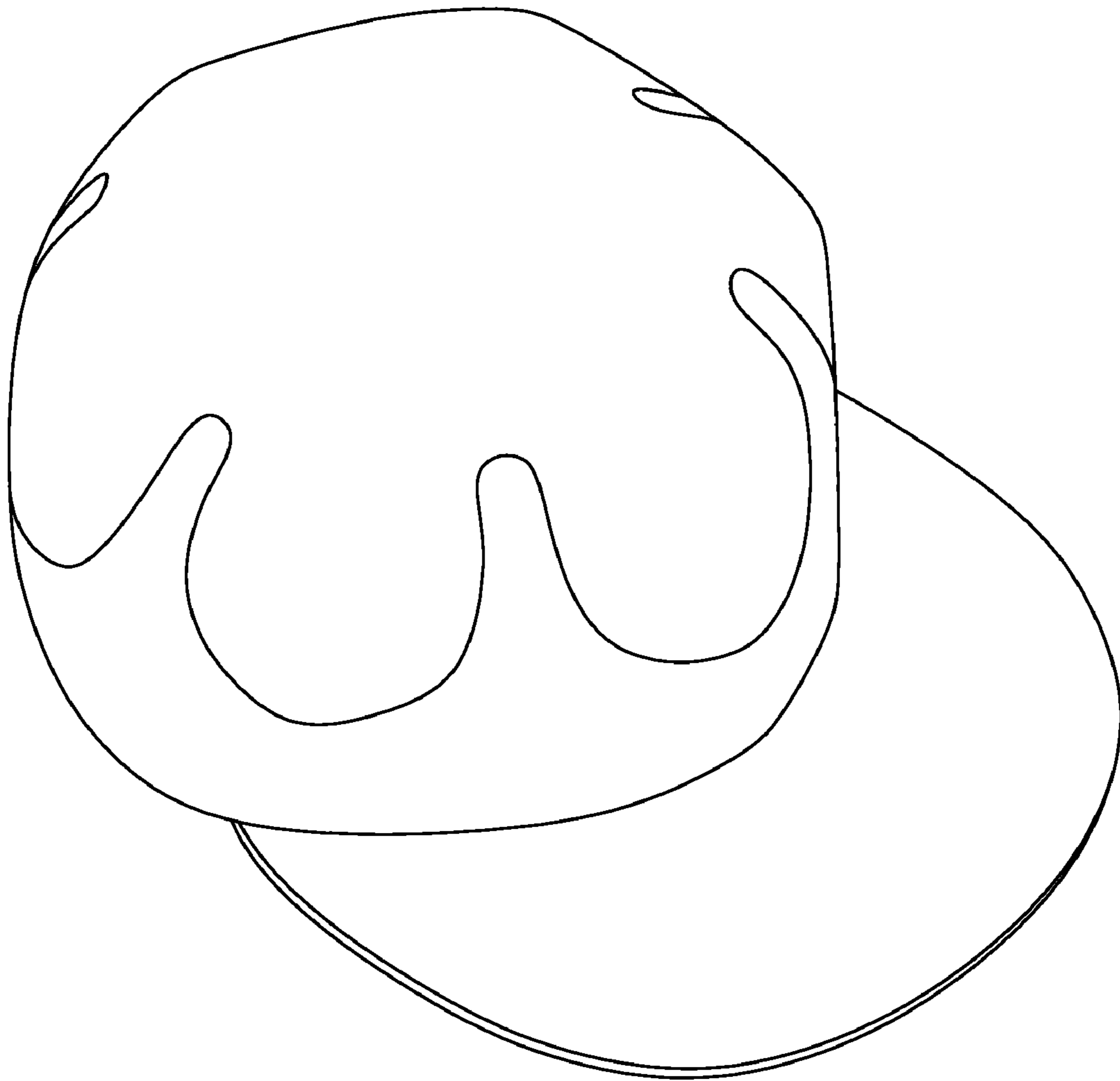


FIG. 1

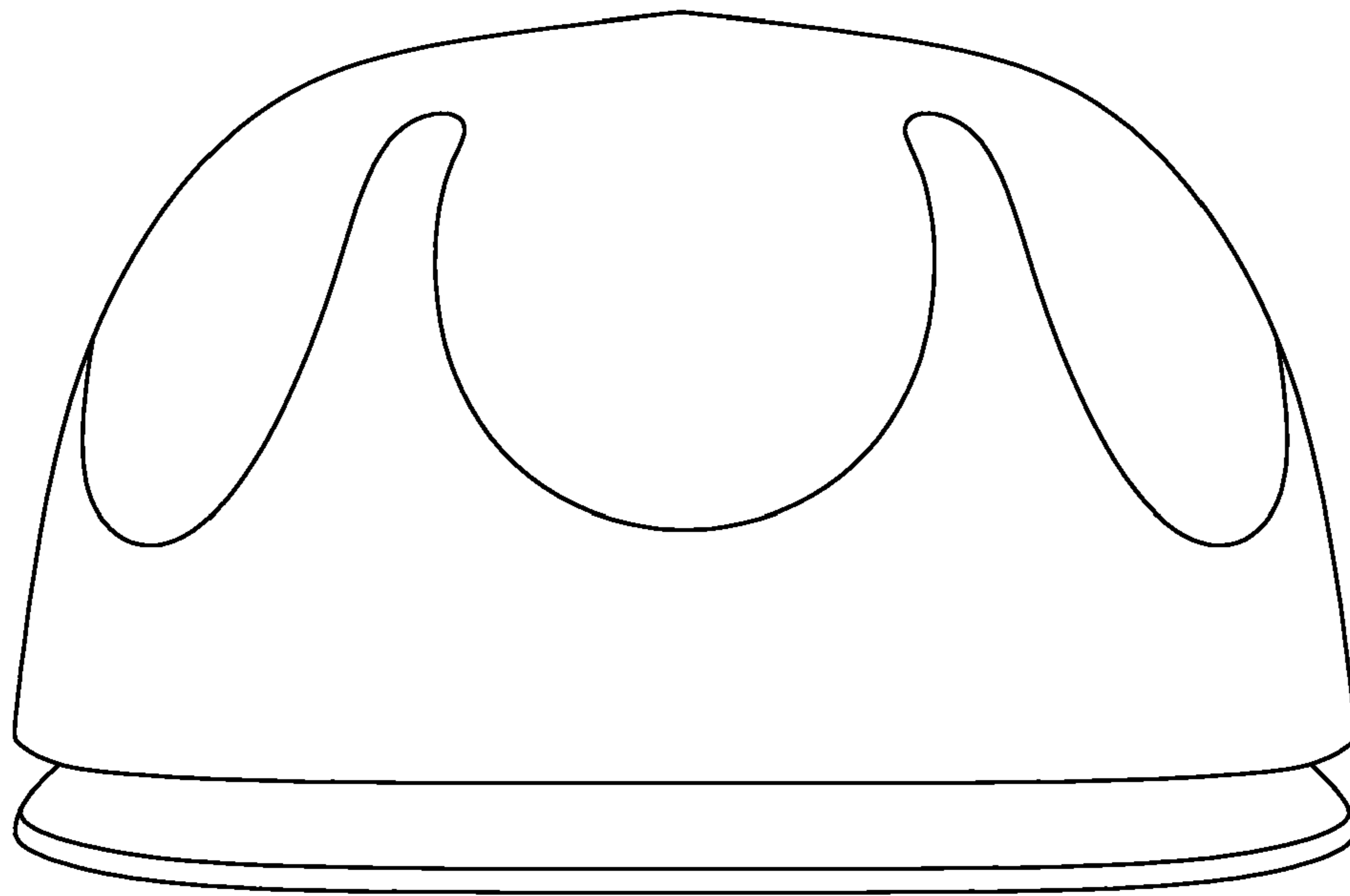


FIG. 2

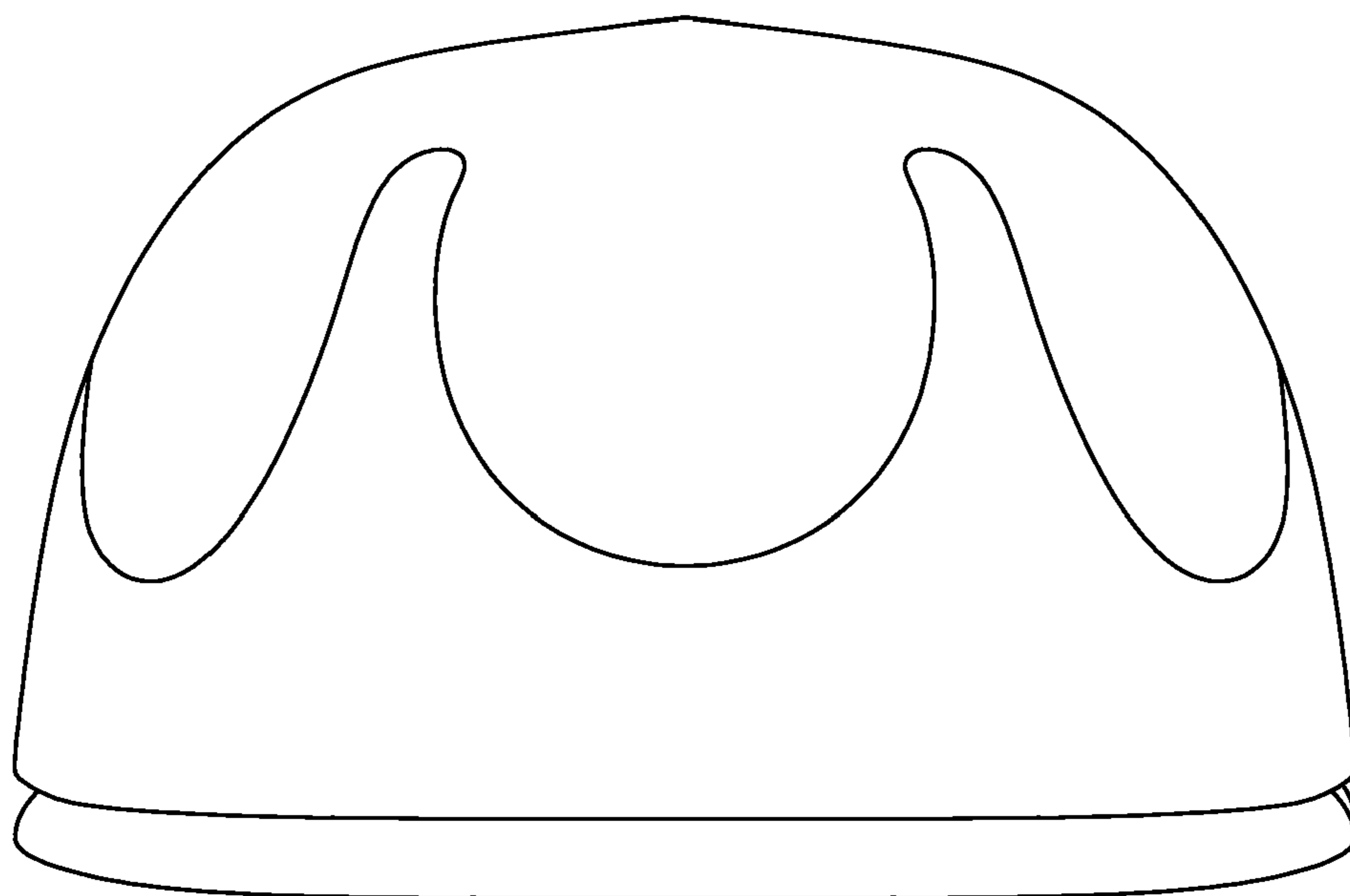


FIG. 3

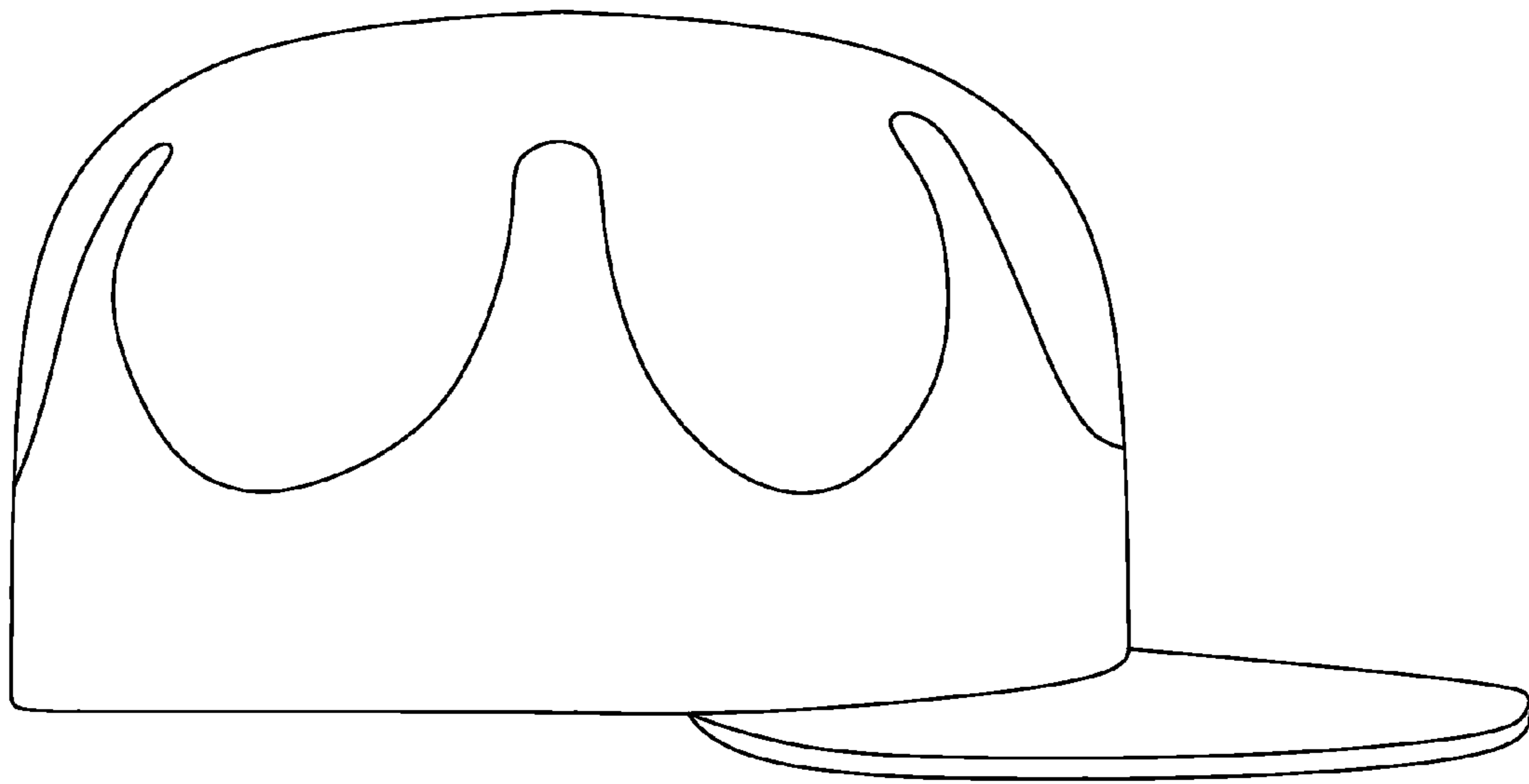


FIG. 4

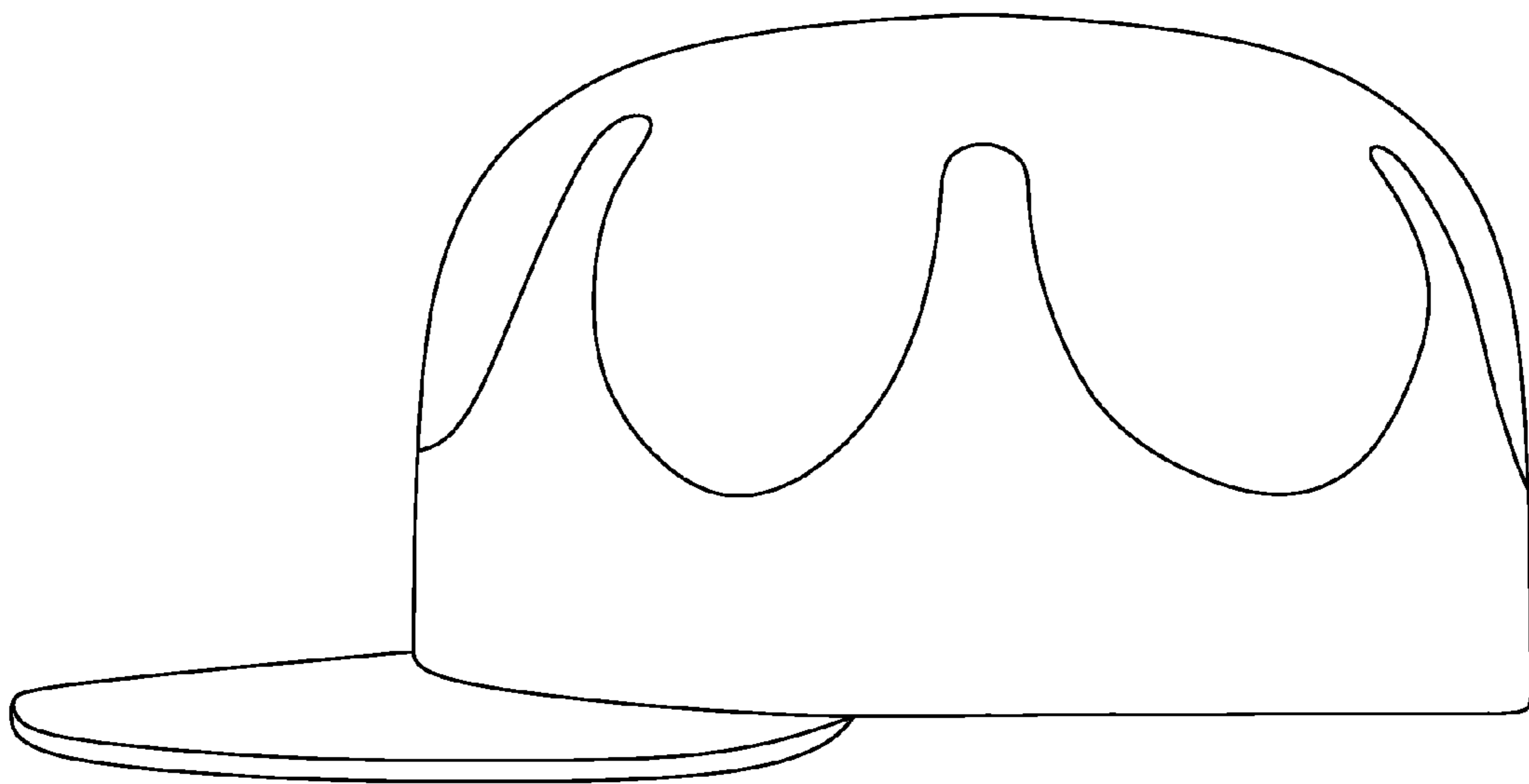


FIG. 5

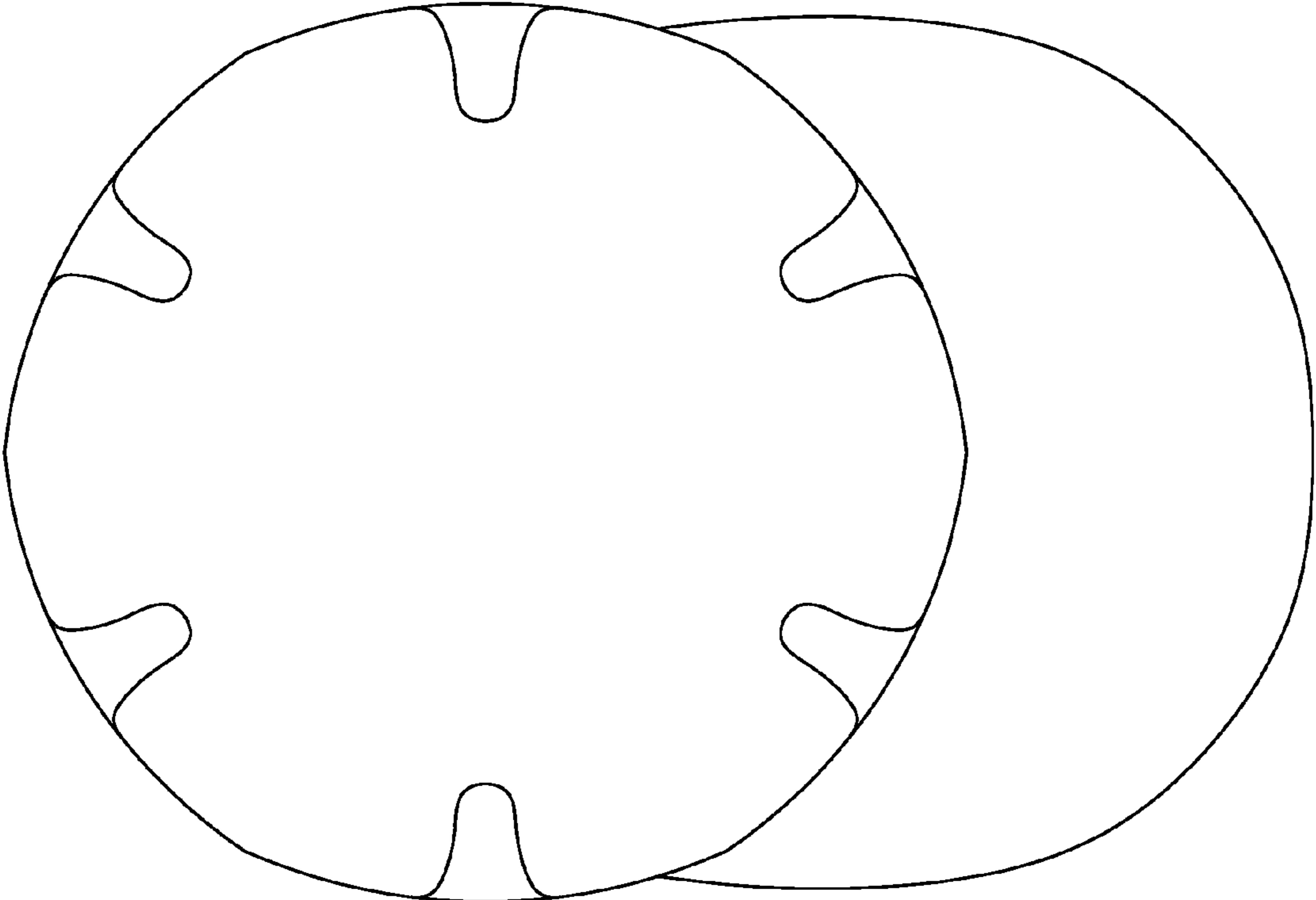


FIG. 6

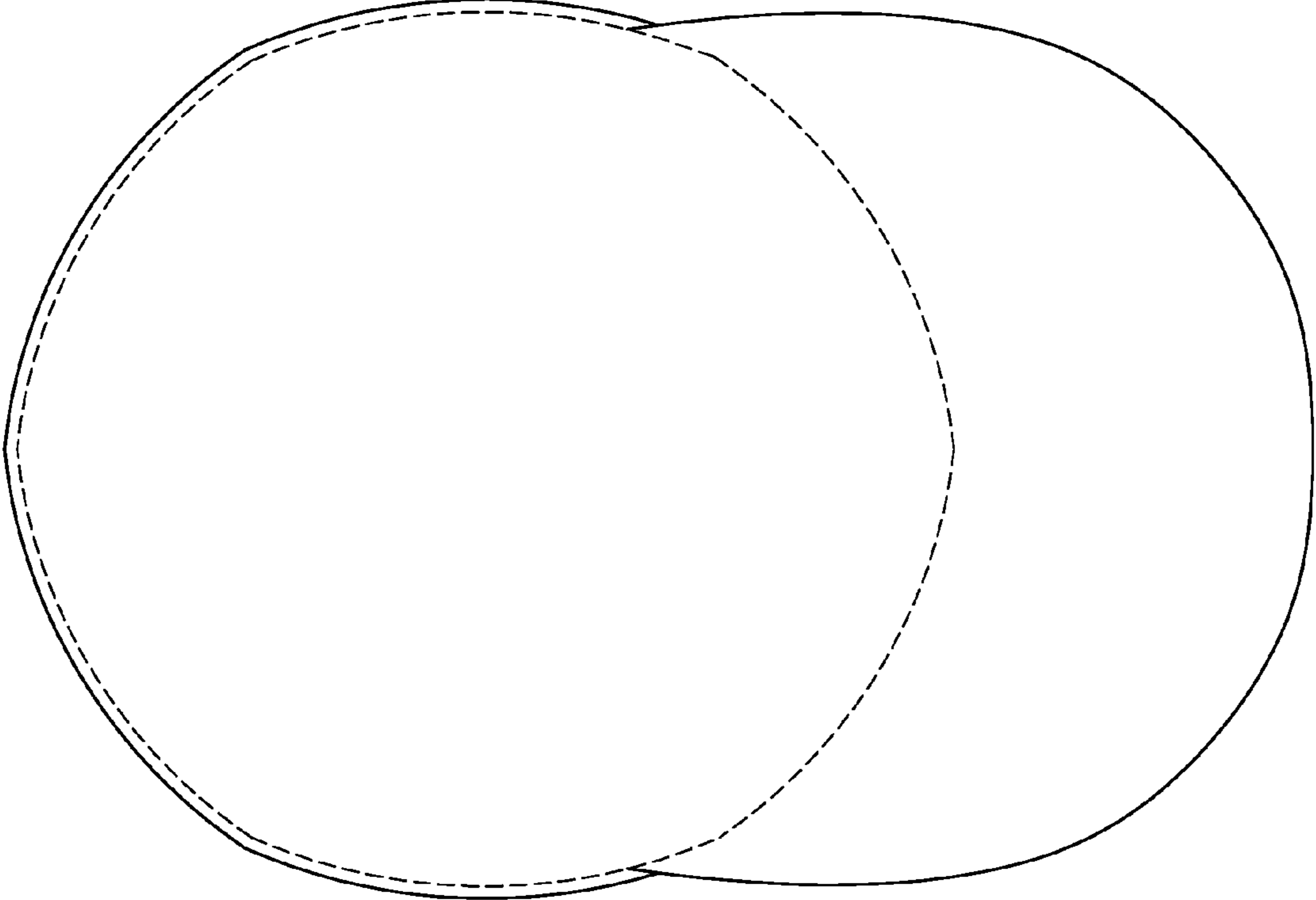


FIG. 7

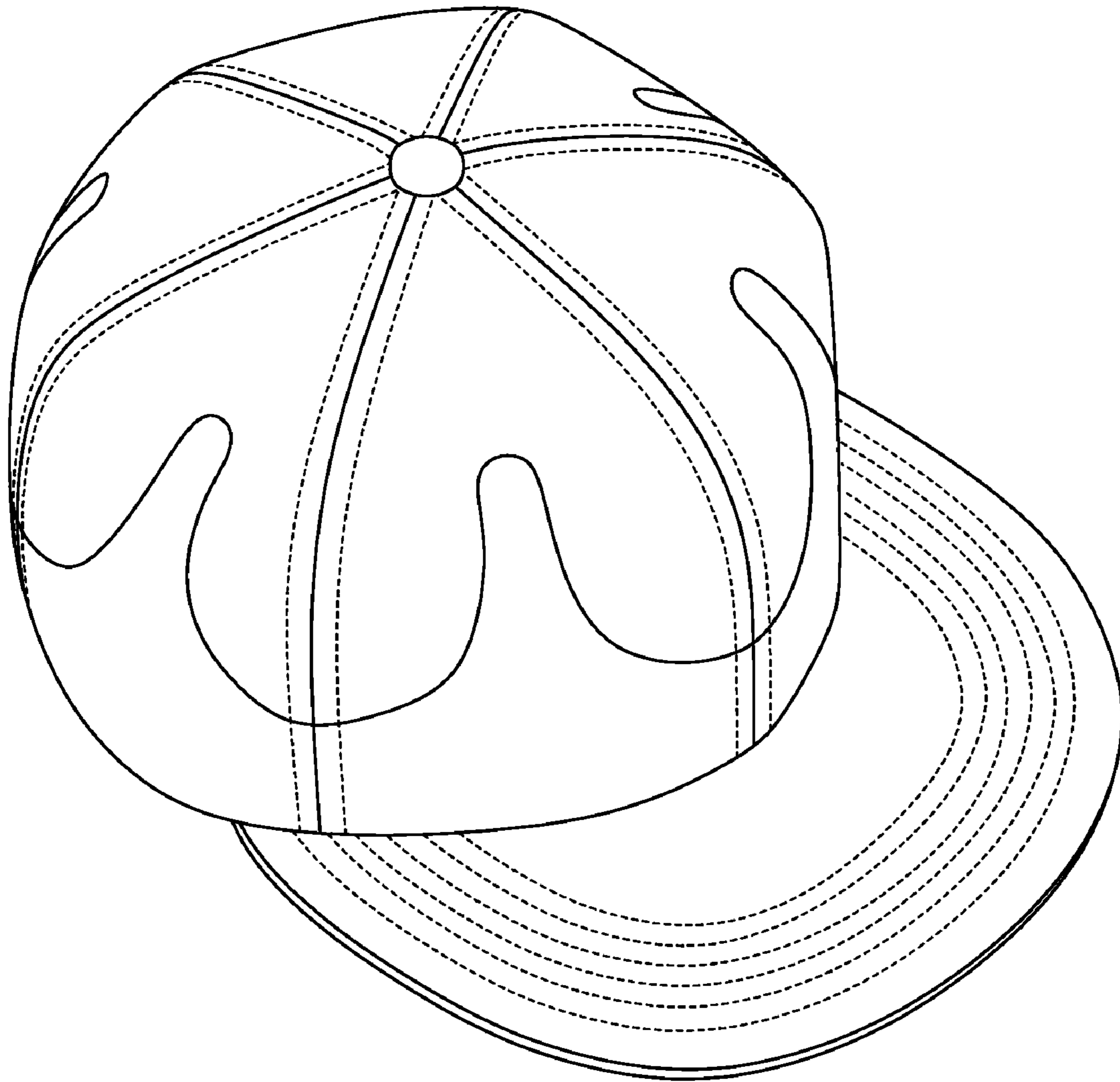


FIG. 8

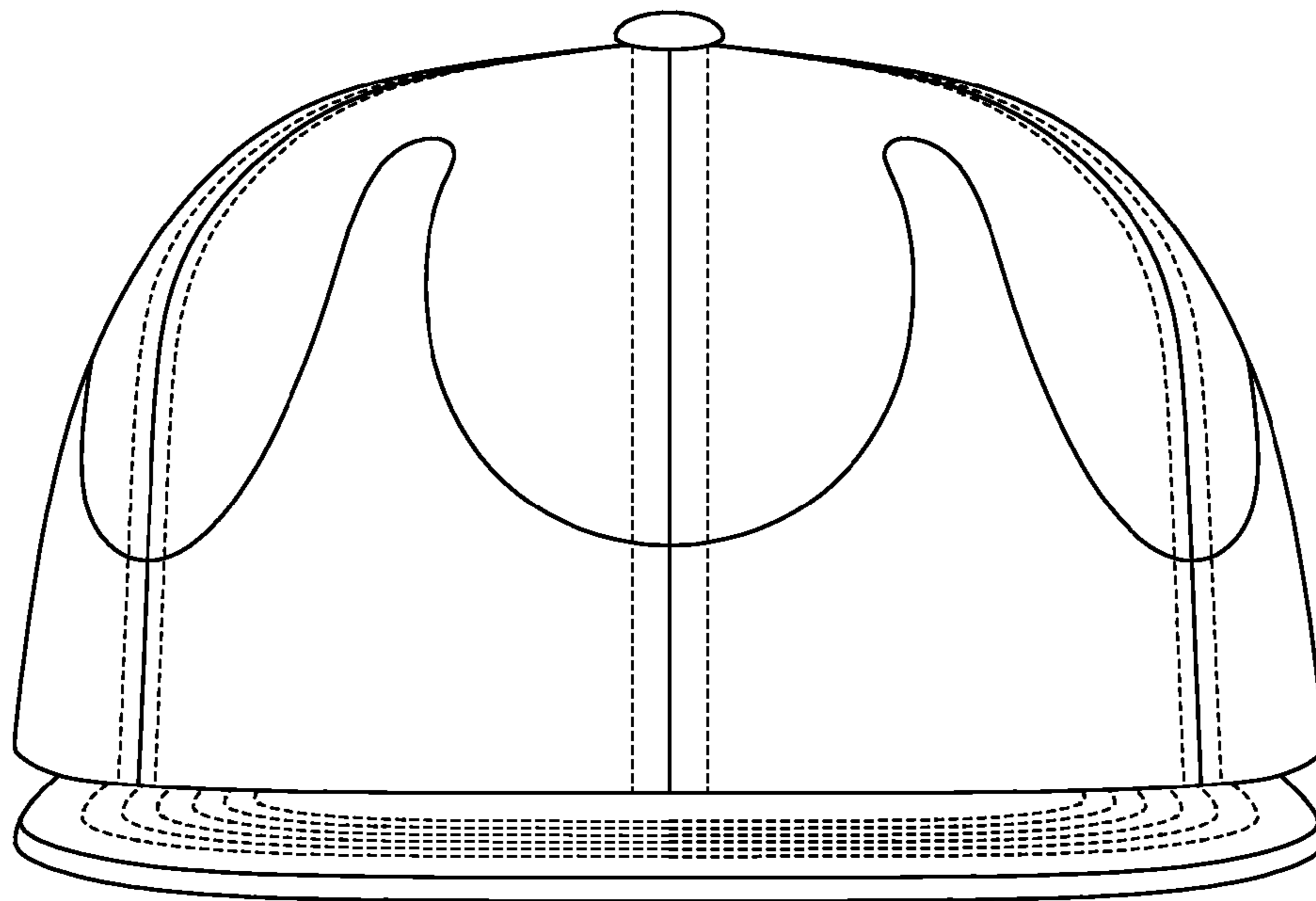


FIG. 9

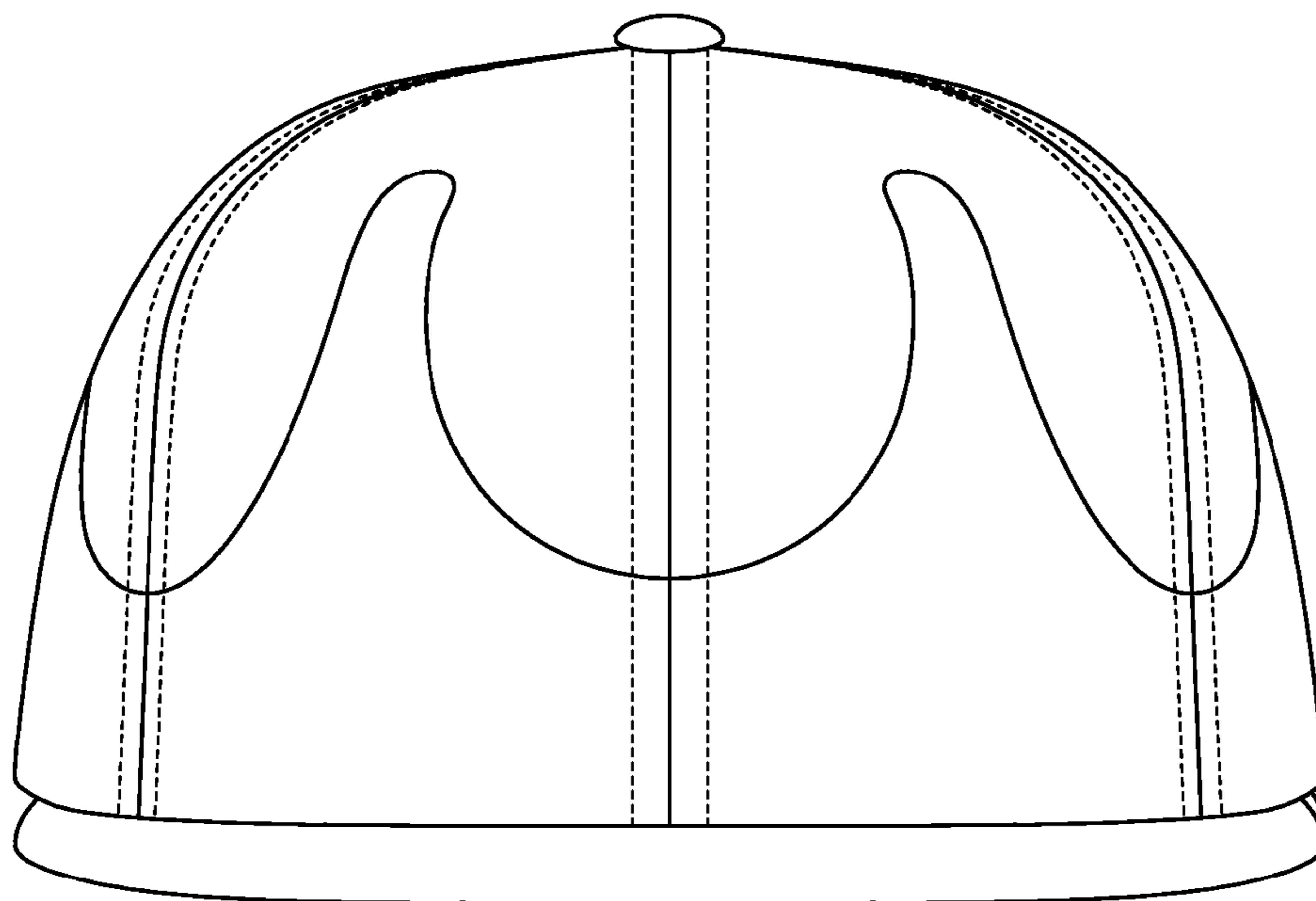


FIG. 10



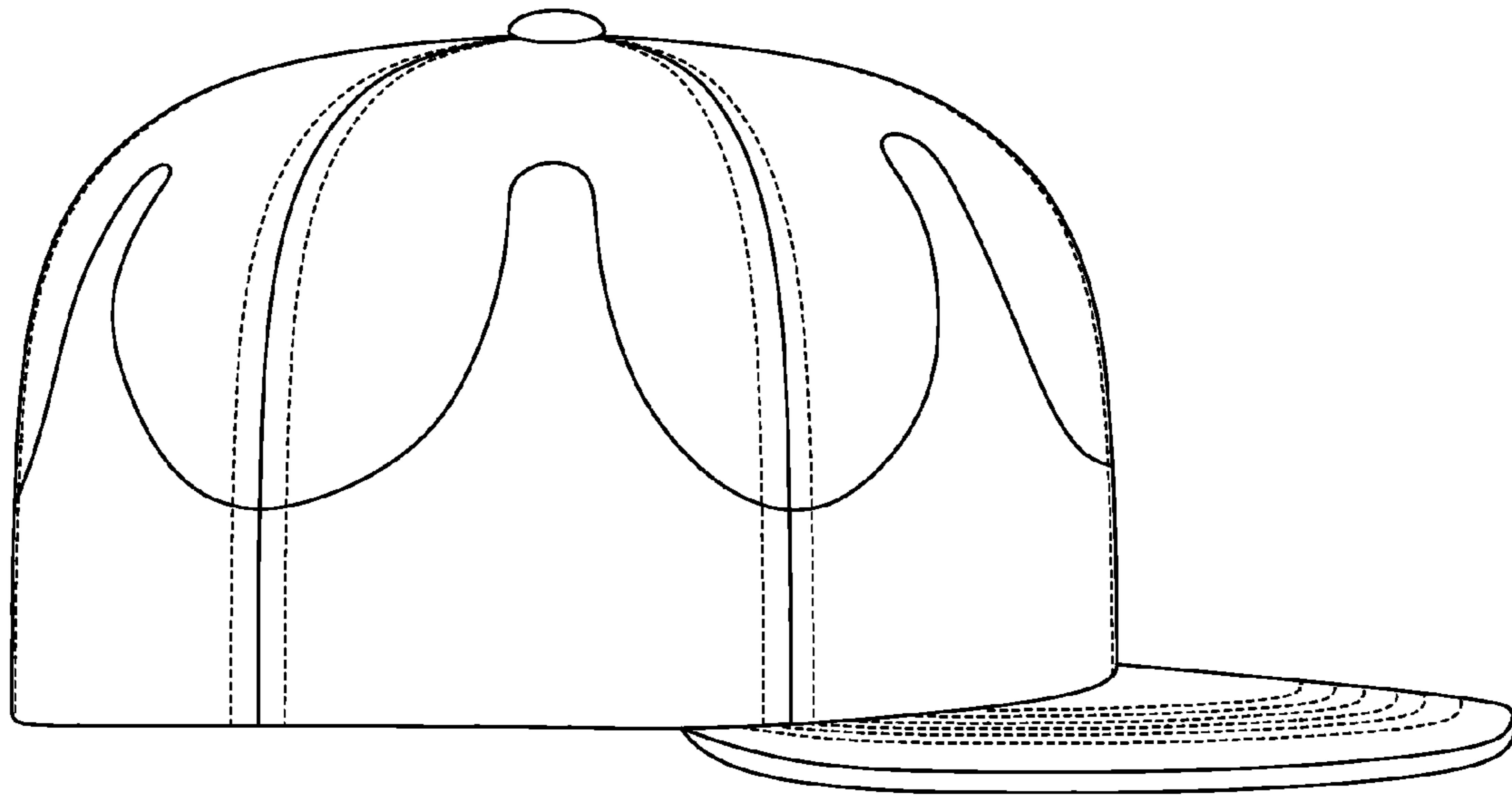


FIG. 11

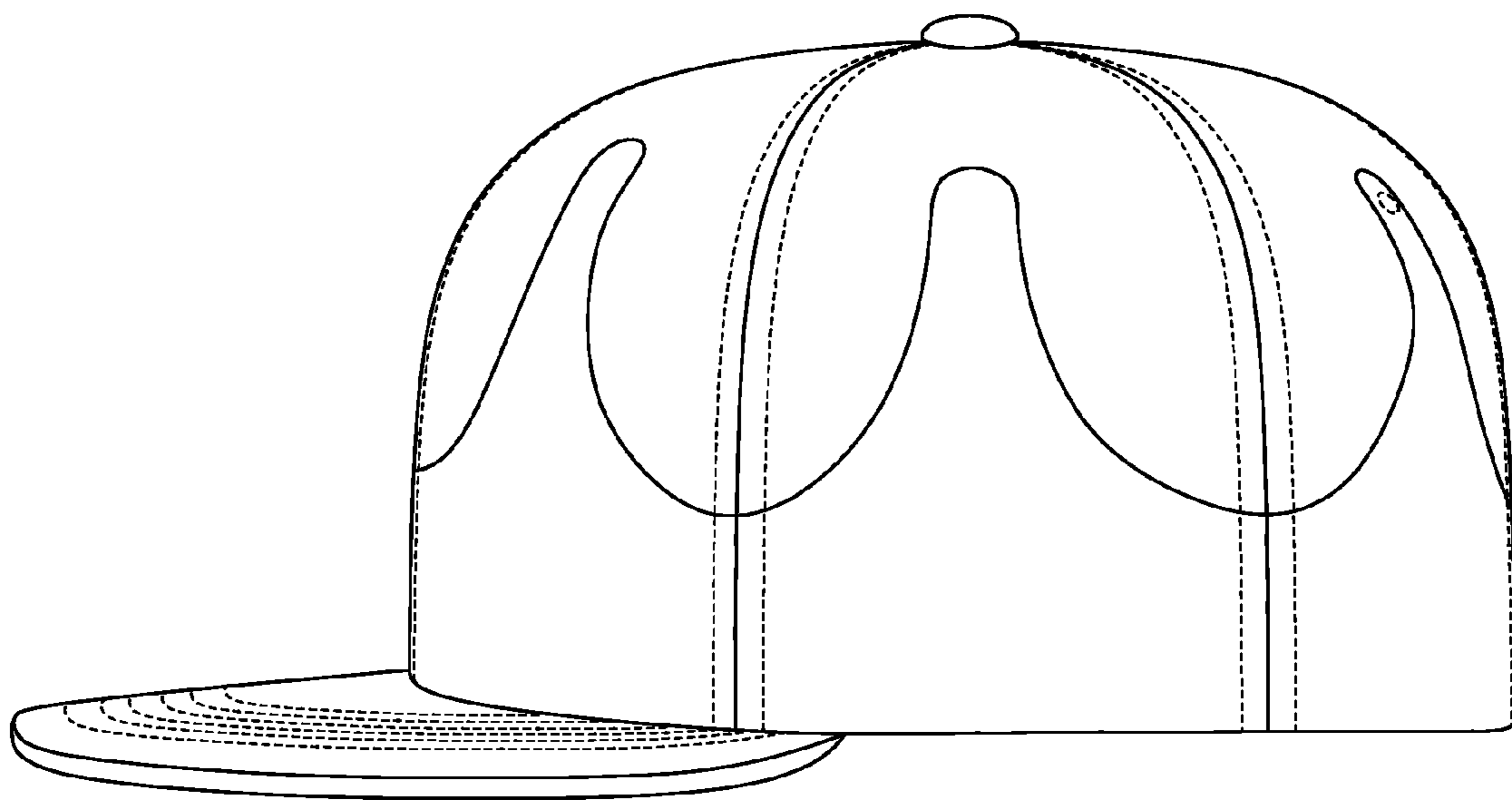


FIG. 12

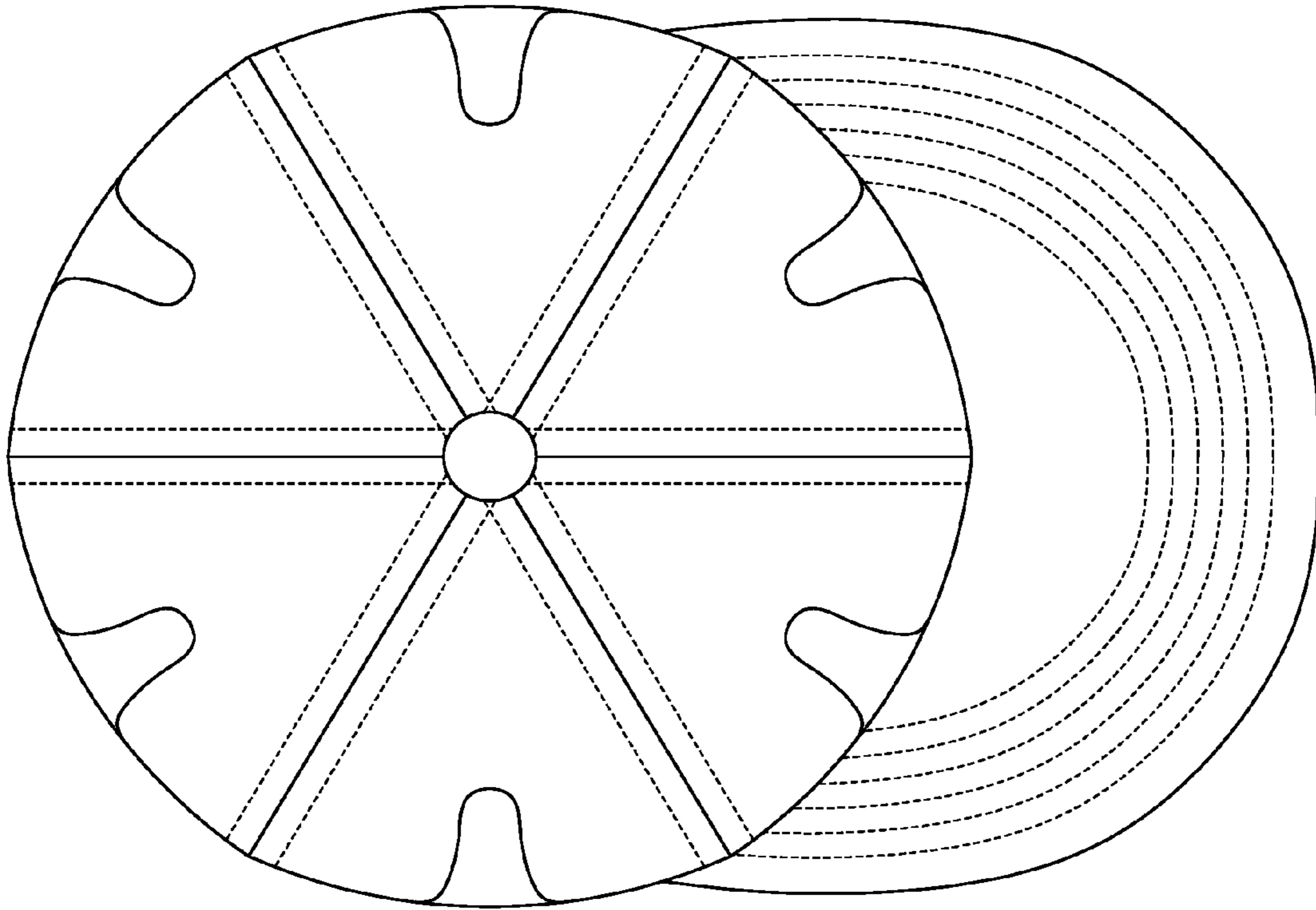


FIG. 13

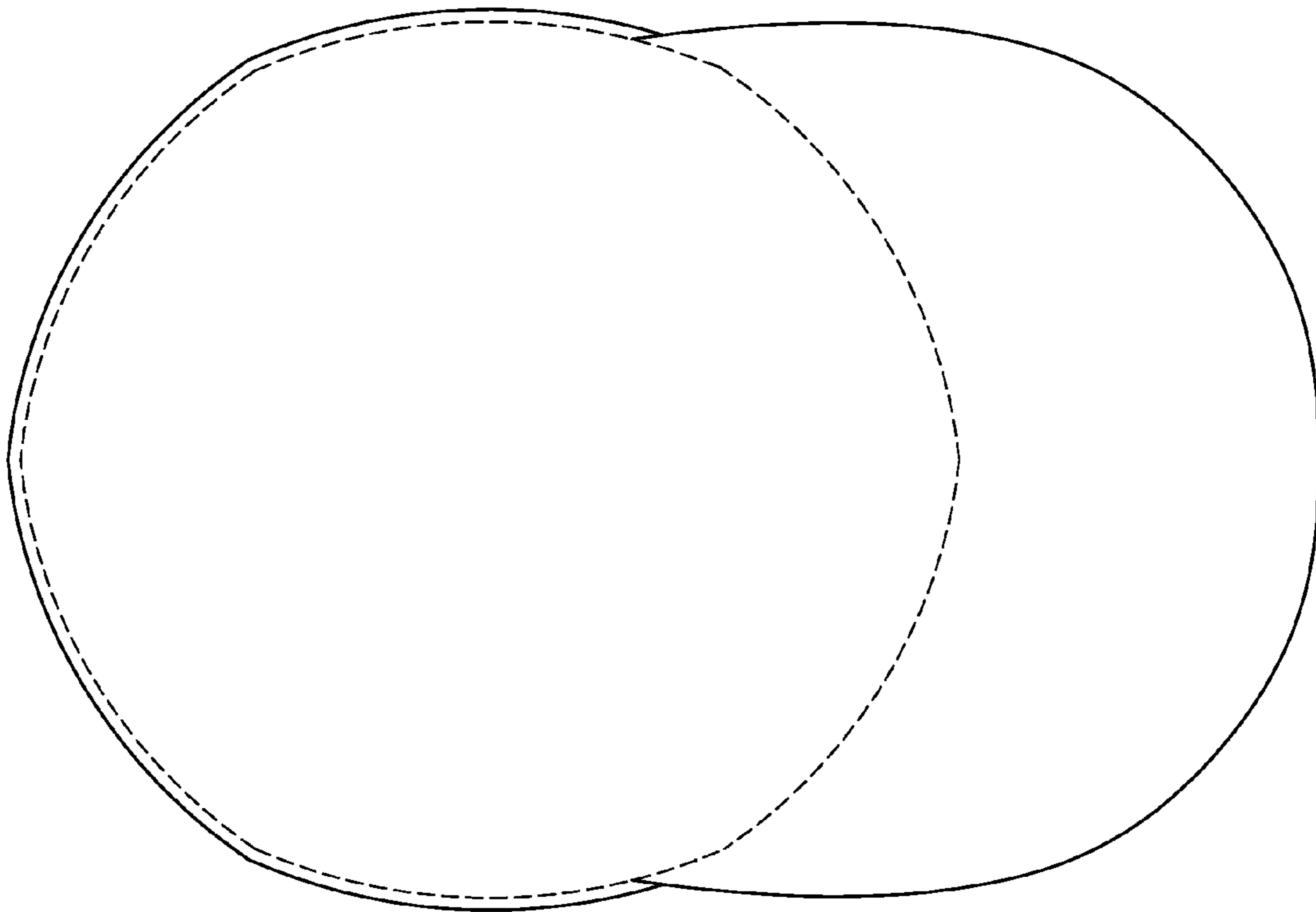


FIG. 14

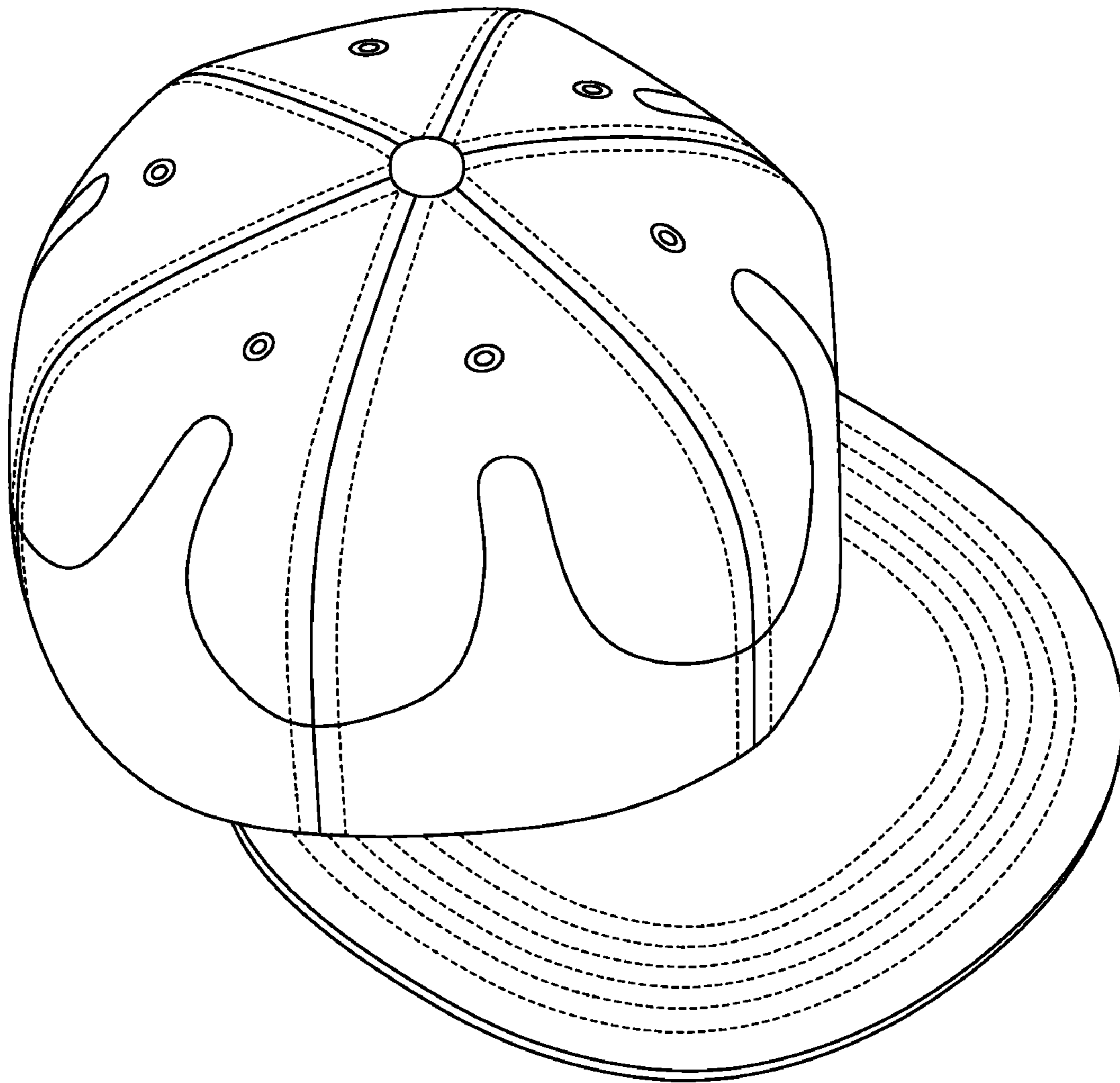


FIG. 15

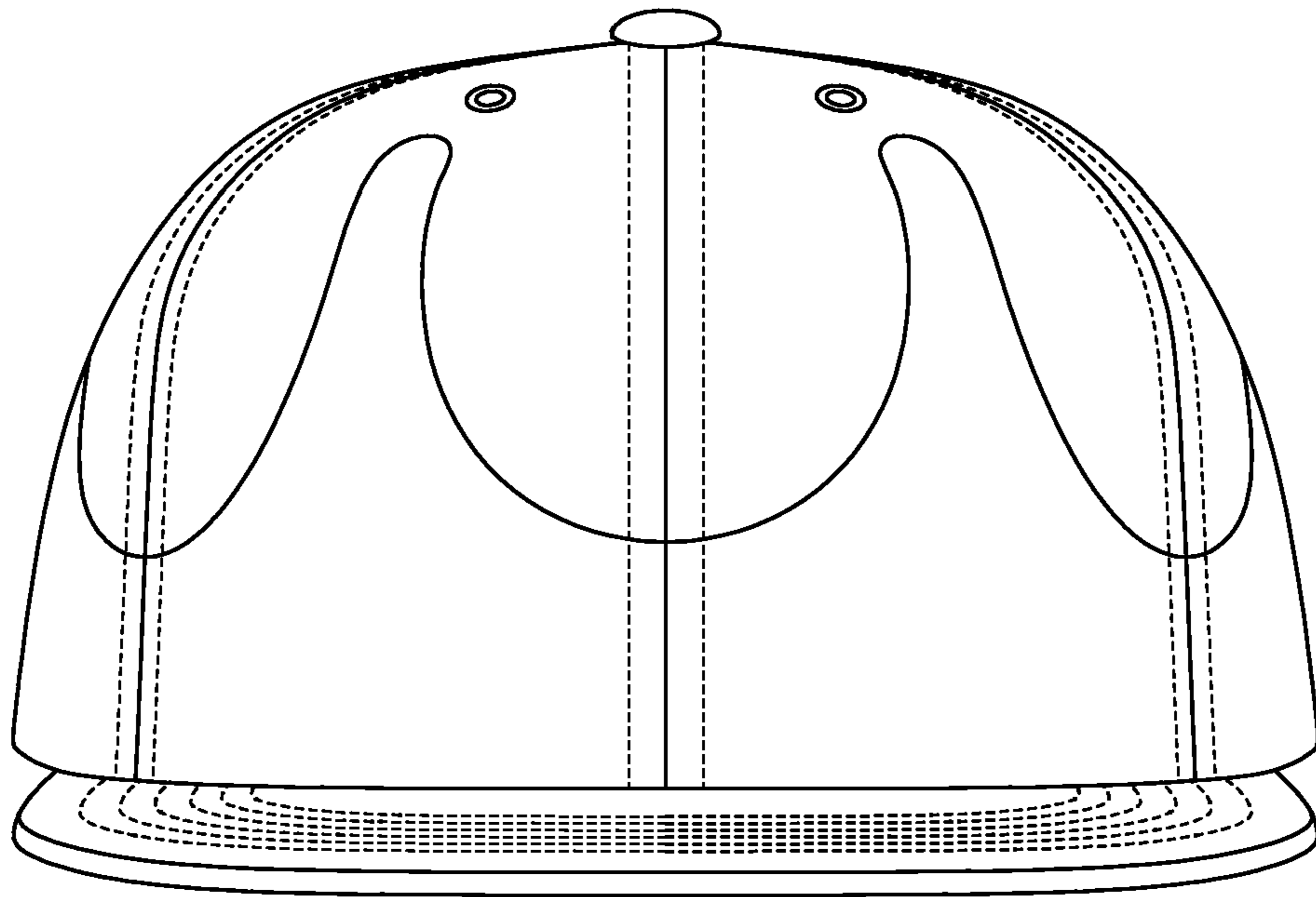


FIG. 16

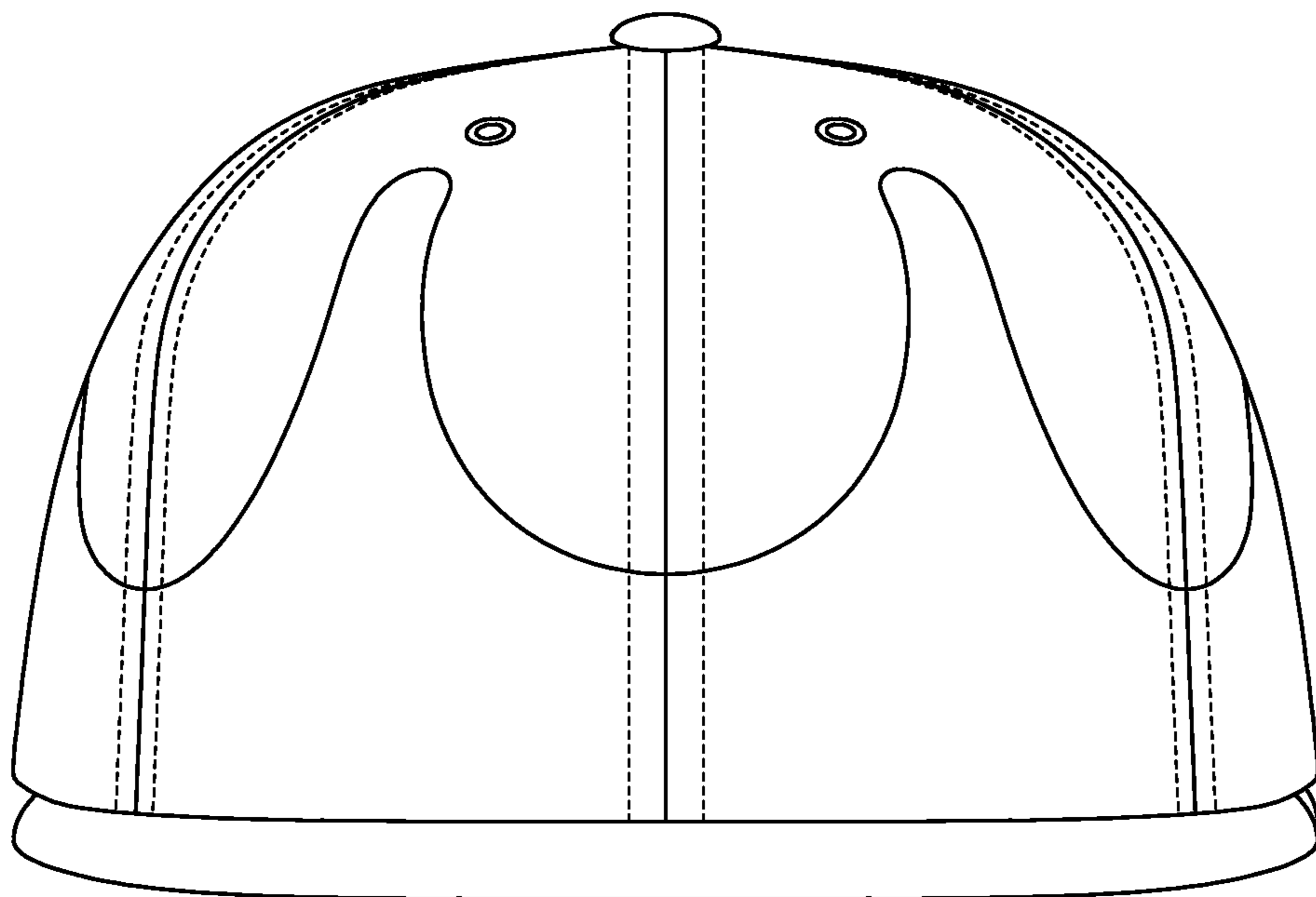


FIG. 17

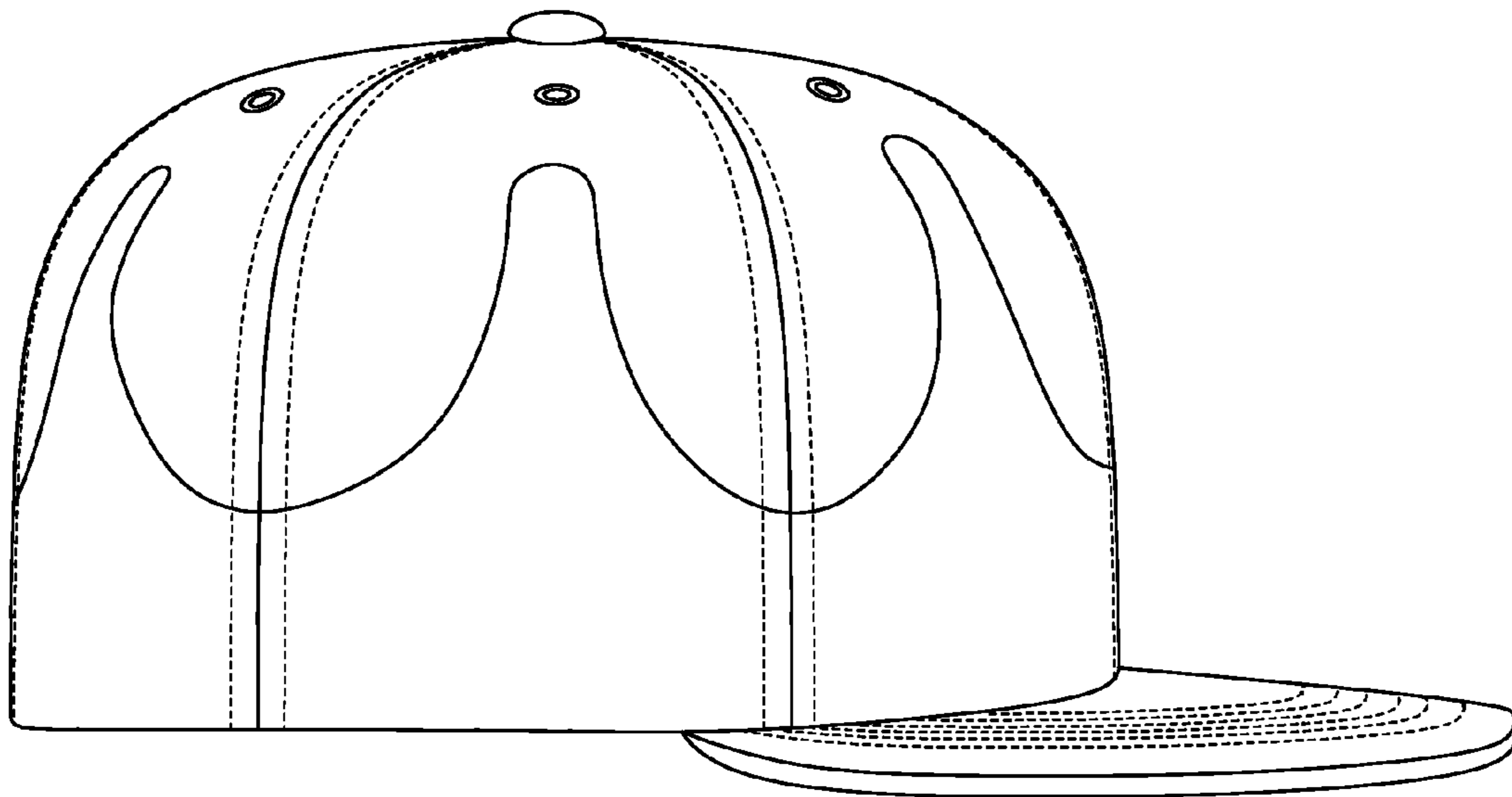


FIG. 18

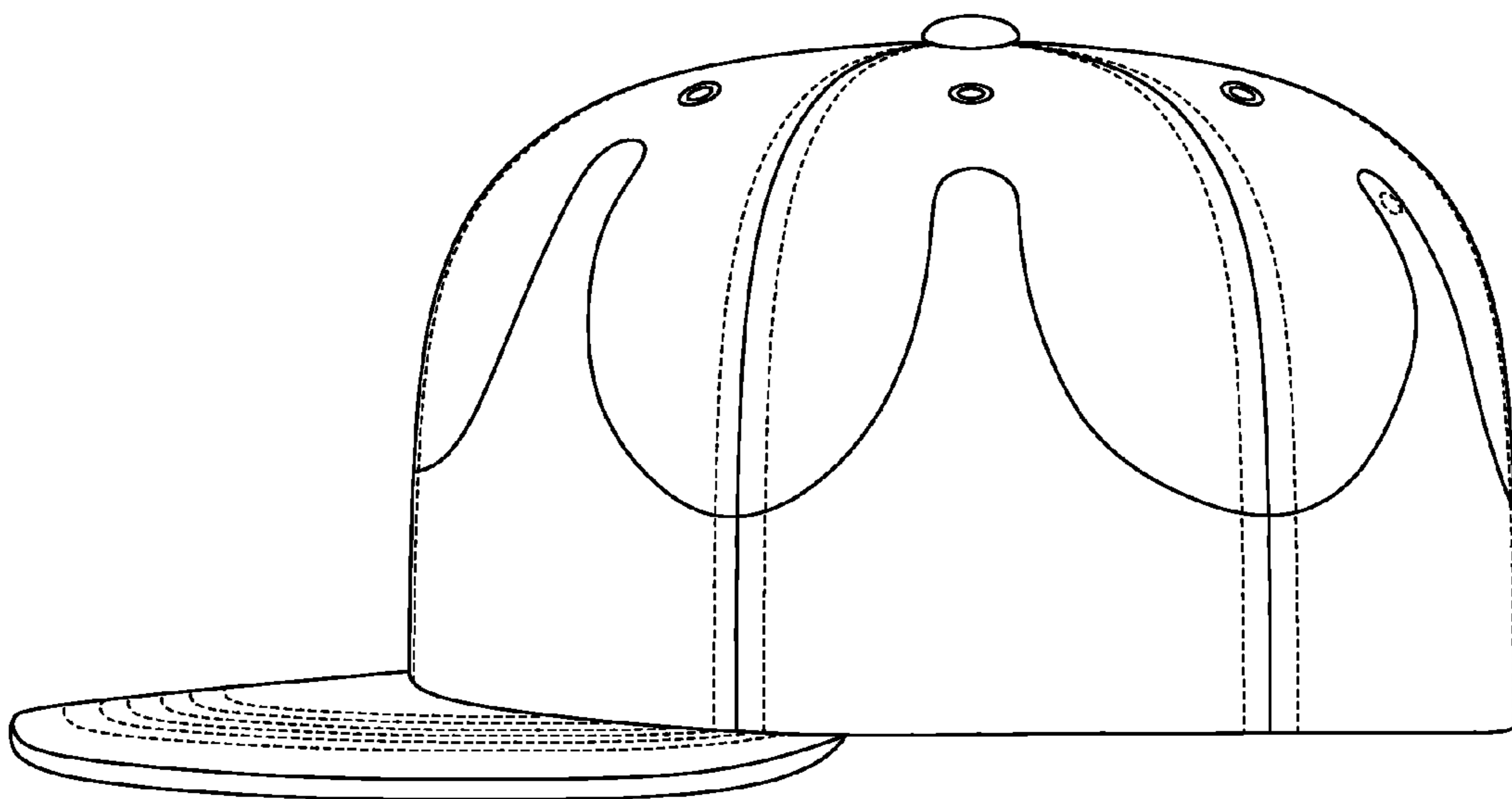


FIG. 19

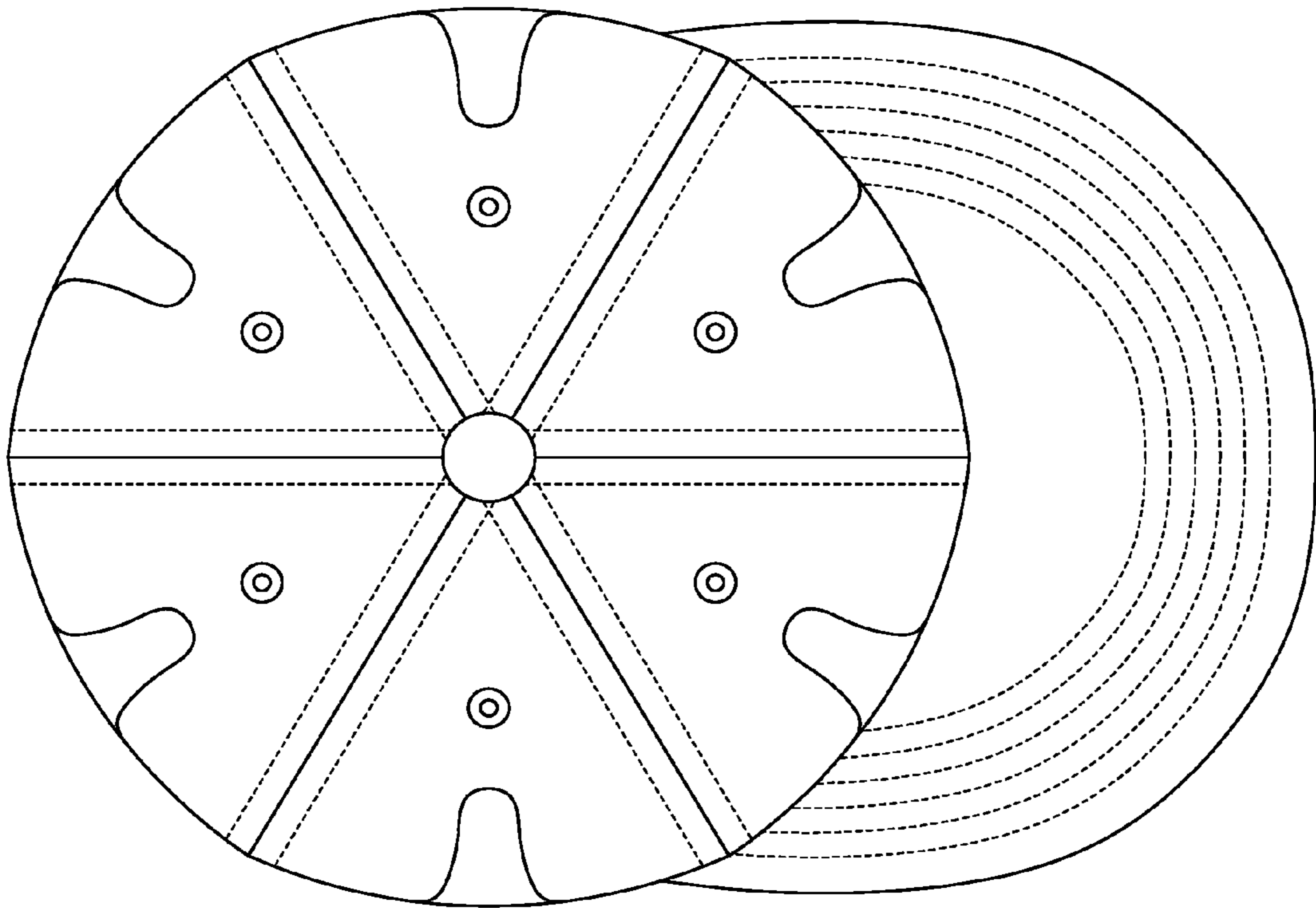


FIG. 20

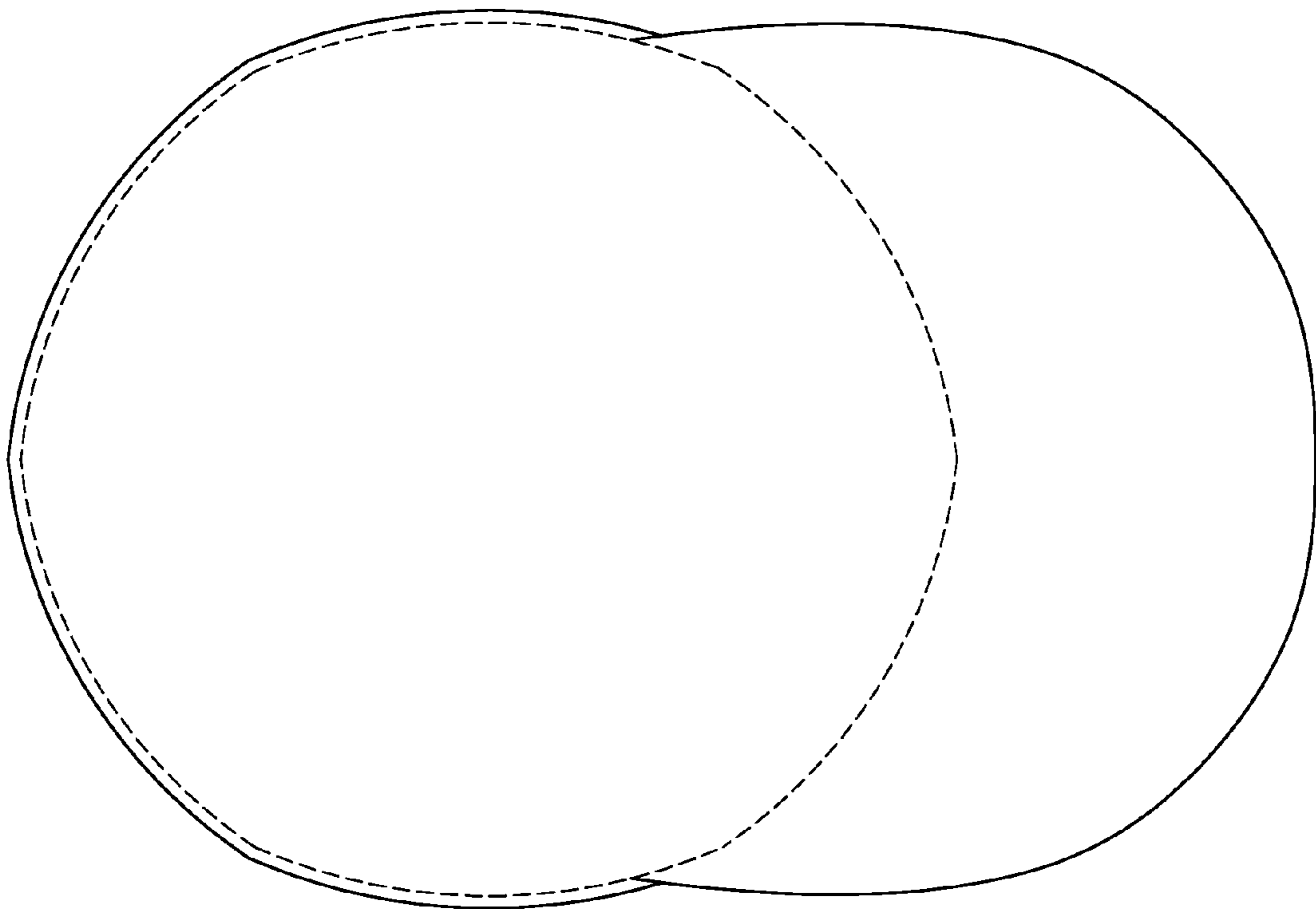


FIG. 21