

US00D560050S

(12) **United States Design Patent**
Tokach et al.

(10) **Patent No.:** **US D560,050 S**
(45) **Date of Patent:** **** Jan. 15, 2008**

(54) **REAR COVER FOR A UTILITY VEHICLE**

(75) Inventors: **Thomas J. Tokach**, Mandan, ND (US);
Jeffrey A. Dahl, Bismarck, ND (US)

(73) Assignee: **Clark Equipment Company**,
Montvale, NJ (US)

(**) Term: **14 Years**

(21) Appl. No.: **29/248,297**

(22) Filed: **Aug. 8, 2006**

(51) **LOC (8) Cl.** **12-05**

(52) **U.S. Cl.** **D34/35; D15/31**

(58) **Field of Classification Search** D34/33-35,
D34/37; D15/30, 31, 33, 17; 293/102; 414/785,
414/592; 180/89.14, 89.17, 89.18, 89.19;
187/222

See application file for complete search history.

(56) **References Cited**

U.S. PATENT DOCUMENTS

D175,804 S	*	10/1955	Squier	D34/37
D178,343 S	*	7/1956	Dorkins	D34/37
D242,337 S	*	11/1976	Priester et al.	D34/37
D271,720 S	*	12/1983	Brown et al.	D34/37
D272,956 S	*	3/1984	Kirby et al.	D34/37
D284,577 S	*	7/1986	DuBose	D15/28
D353,704 S	*	12/1994	Bhambra	D34/37
D361,645 S	*	8/1995	Heiler	D34/34
D369,010 S	*	4/1996	Soederberg	D34/34
D412,712 S	*	8/1999	Miller et al.	D15/31
D471,340 S	*	3/2003	Shibata et al.	D34/34

D471,689 S	*	3/2003	Shibata et al.	D34/34
D490,444 S	*	5/2004	Kuwae	D15/33
D500,056 S	*	12/2004	DeYoung et al.	D15/33
D506,211 S	*	6/2005	Kuwae et al.	D15/33
D508,499 S	*	8/2005	Kurtz, Jr.	D15/31

* cited by examiner

Primary Examiner—Stella M. Reid

Assistant Examiner—Mark Goodwin

(74) *Attorney, Agent, or Firm*—Michael Best & Friedrich LLP

(57) **CLAIM**

The ornamental design for a rear cover for a utility vehicle, as shown and described.

DESCRIPTION

FIG. 1 is a perspective view of a rear cover for a utility vehicle showing our new design;

FIG. 2 is a left side view thereof;

FIG. 3 is a right side view thereof;

FIG. 4 is a front elevational view thereof;

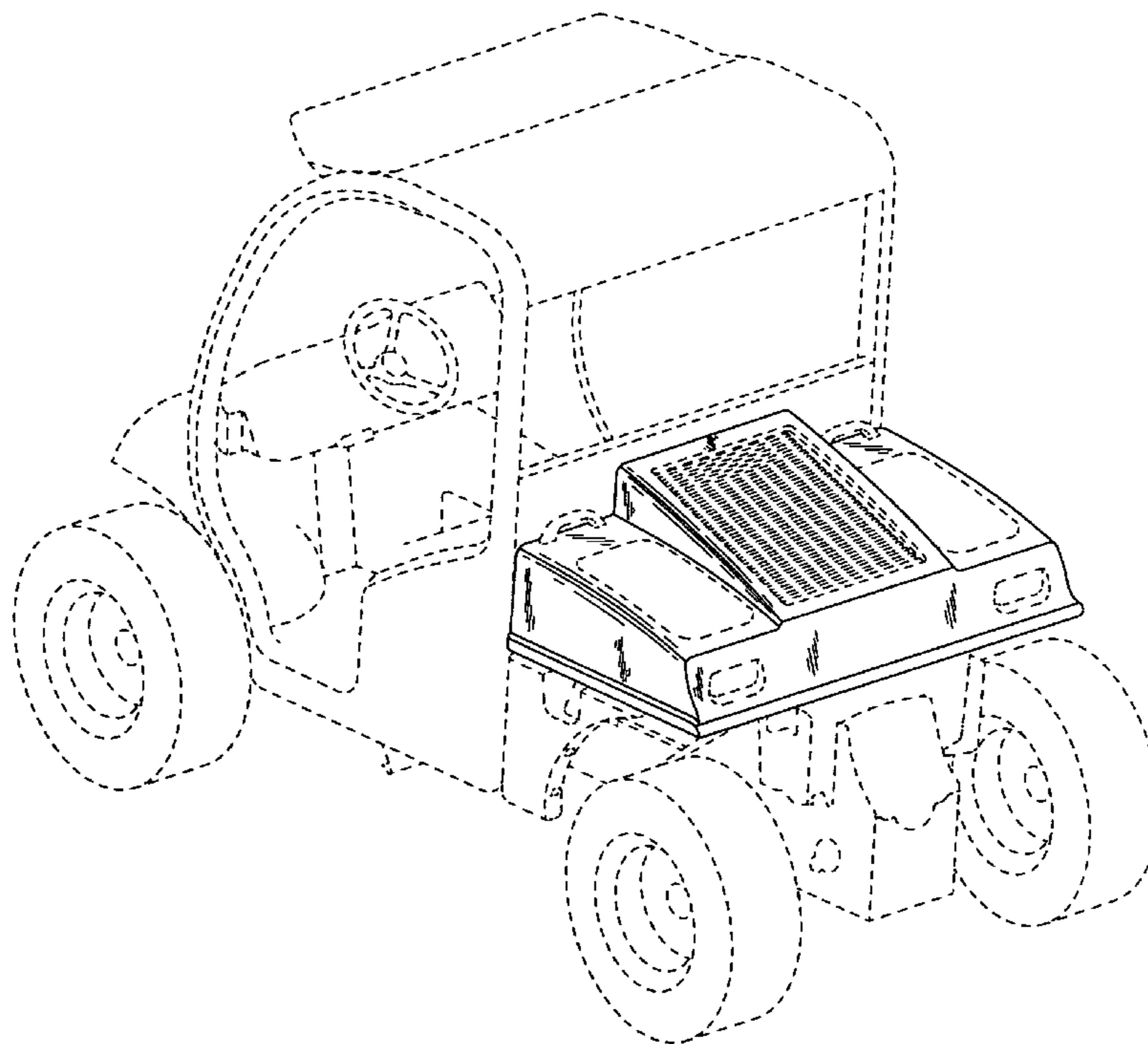
FIG. 5 is a rear elevational view thereof;

FIG. 6 is a top plan view thereof; and,

FIG. 7 is a bottom plan view thereof.

The broken line showing of the utility vehicle in FIG. 1 and portions of the rear cover for a utility vehicle in FIGS. 1-7 is included for the purpose of illustrating environmental structure and forms no part of the claimed design.

1 Claim, 7 Drawing Sheets



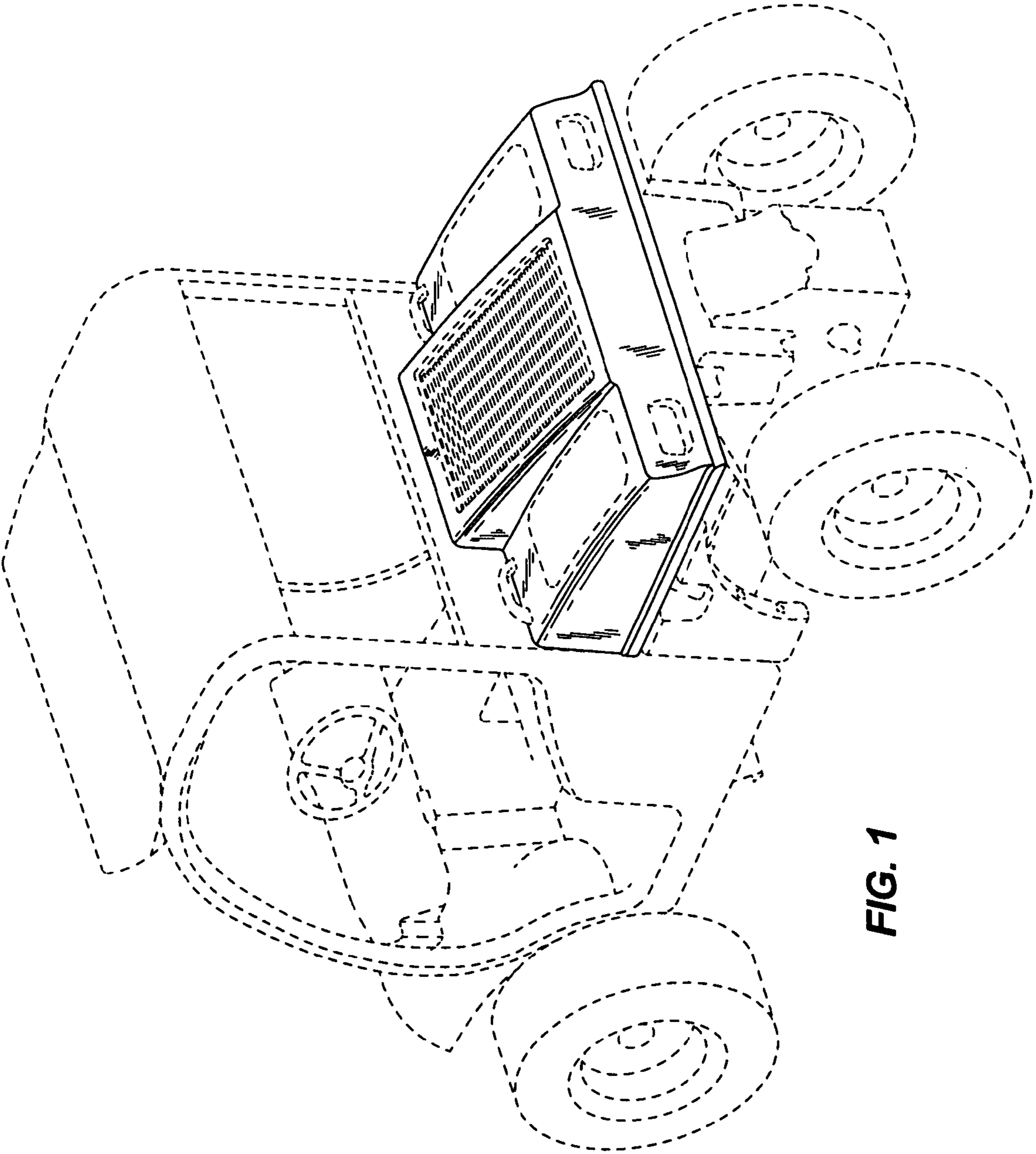


FIG. 1

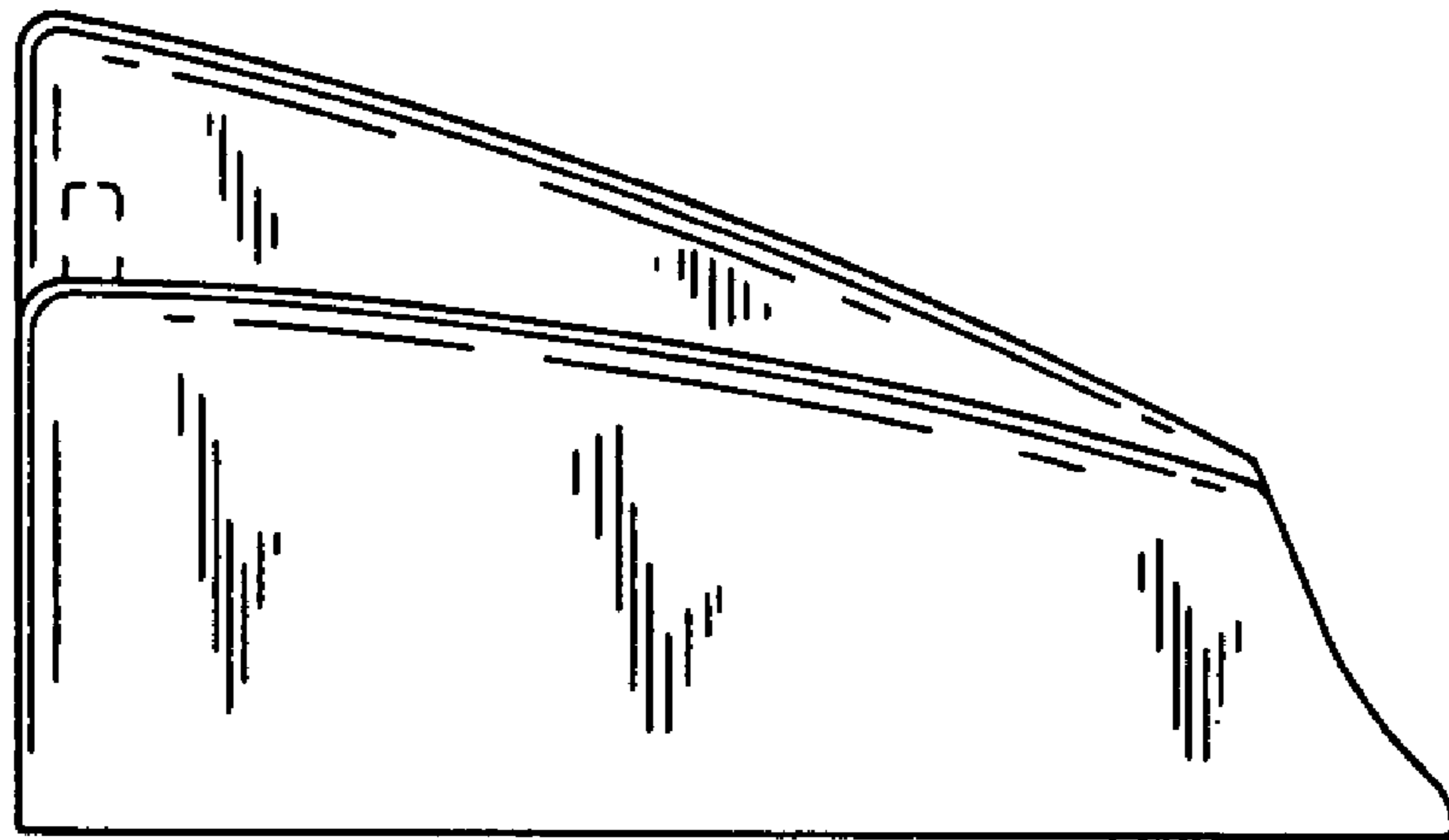


FIG. 2

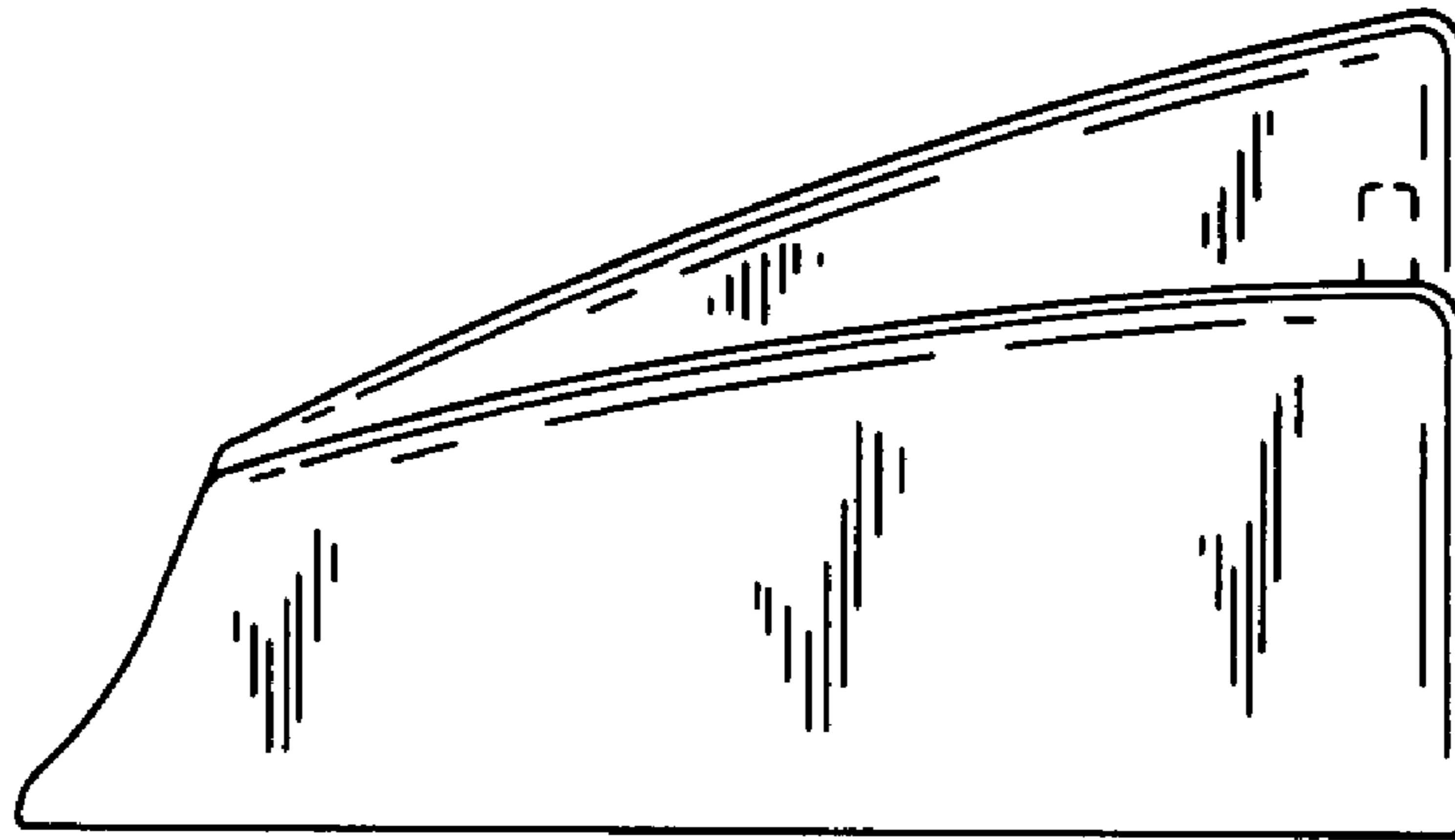


FIG. 3

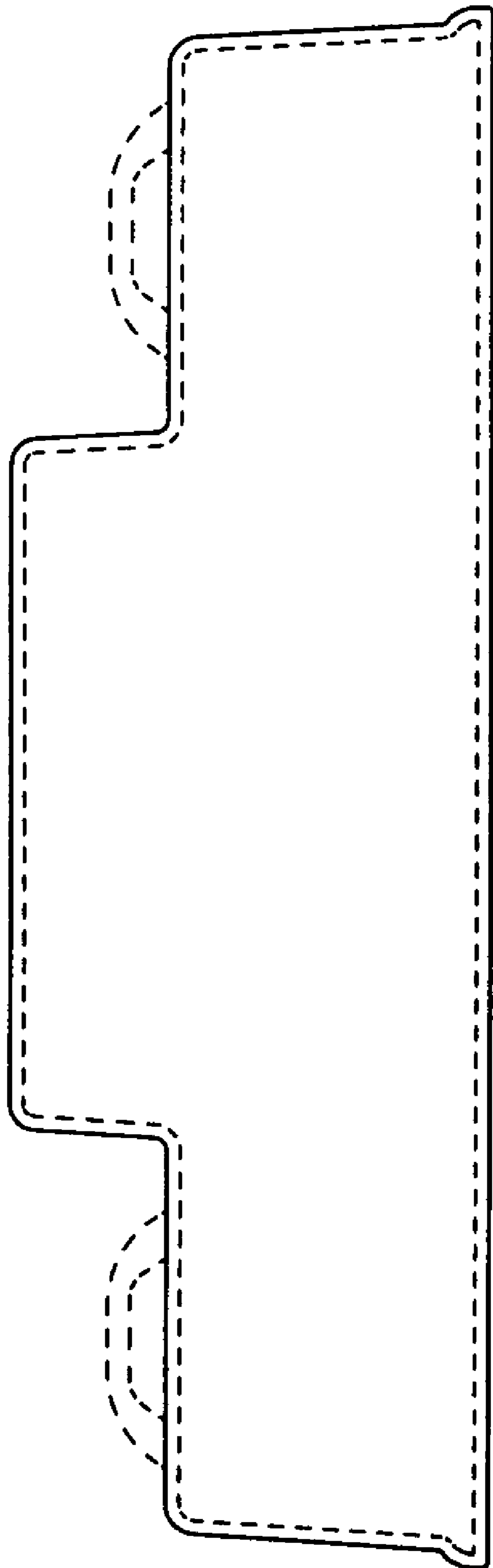


FIG. 4

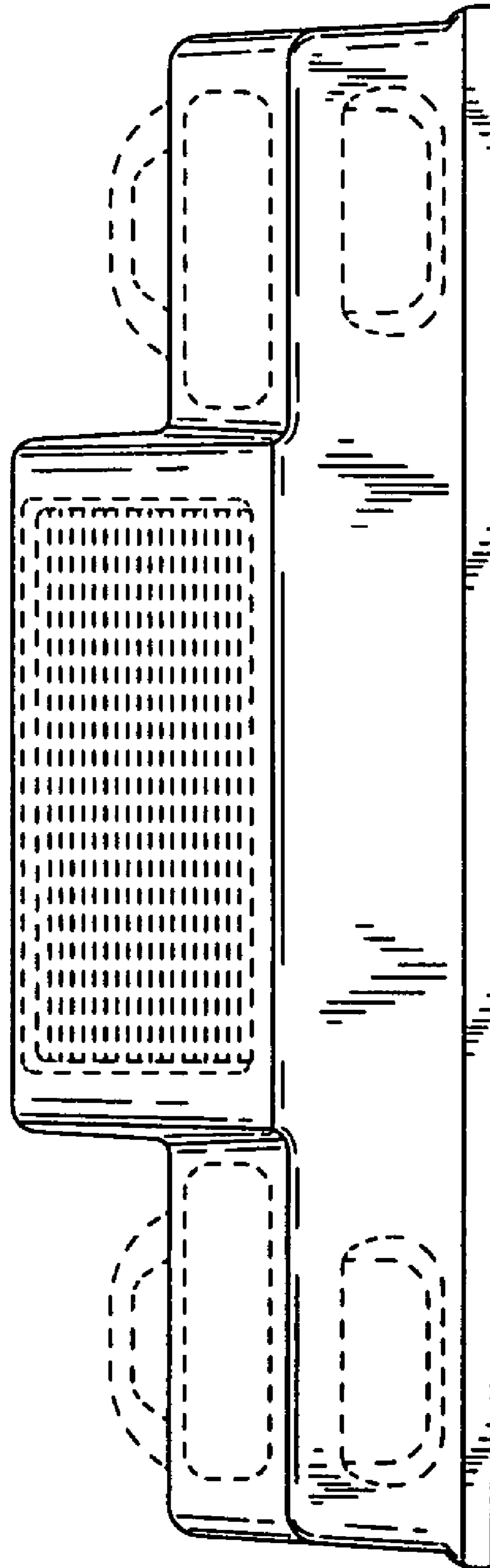


FIG. 5

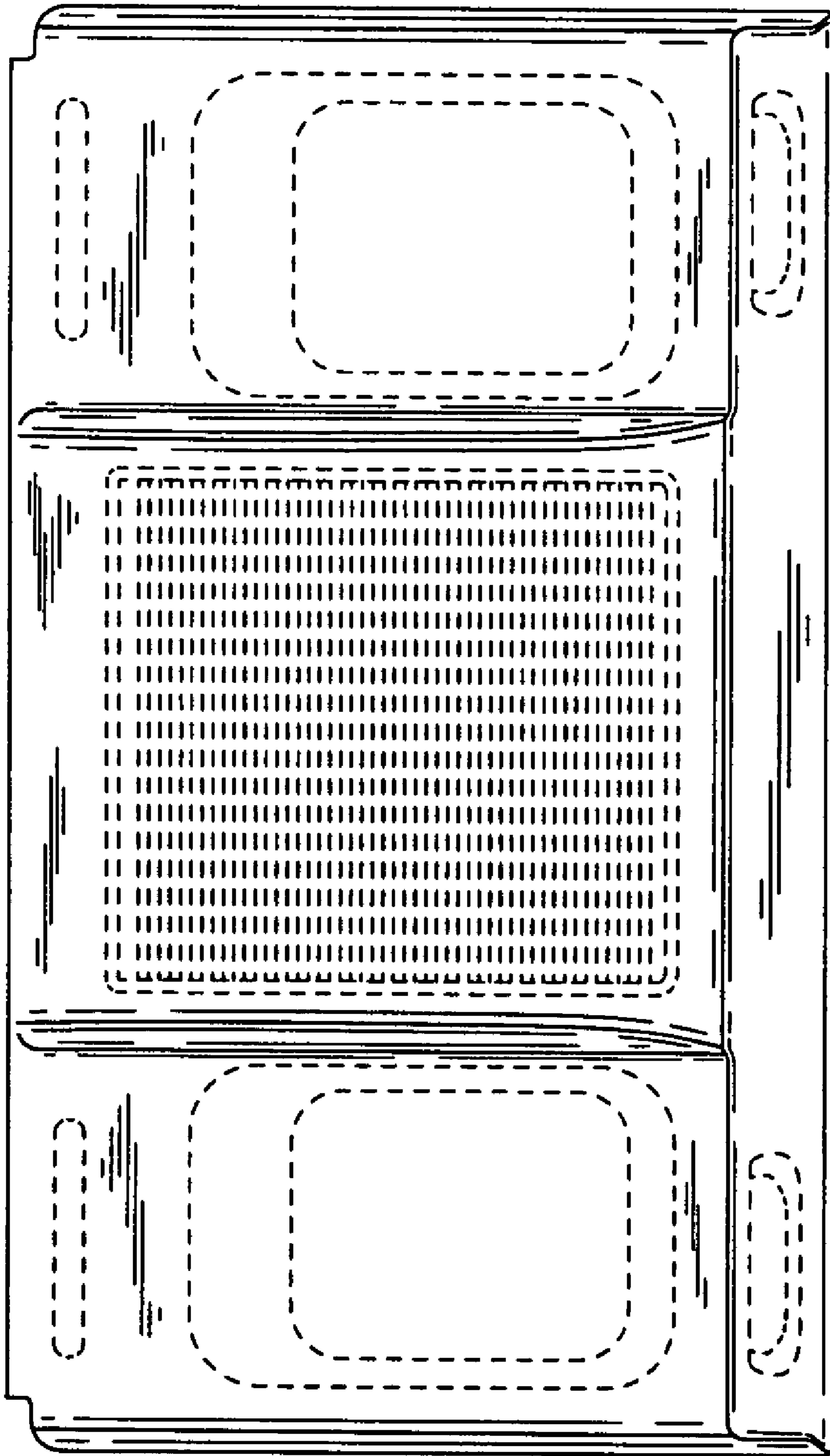


FIG. 6

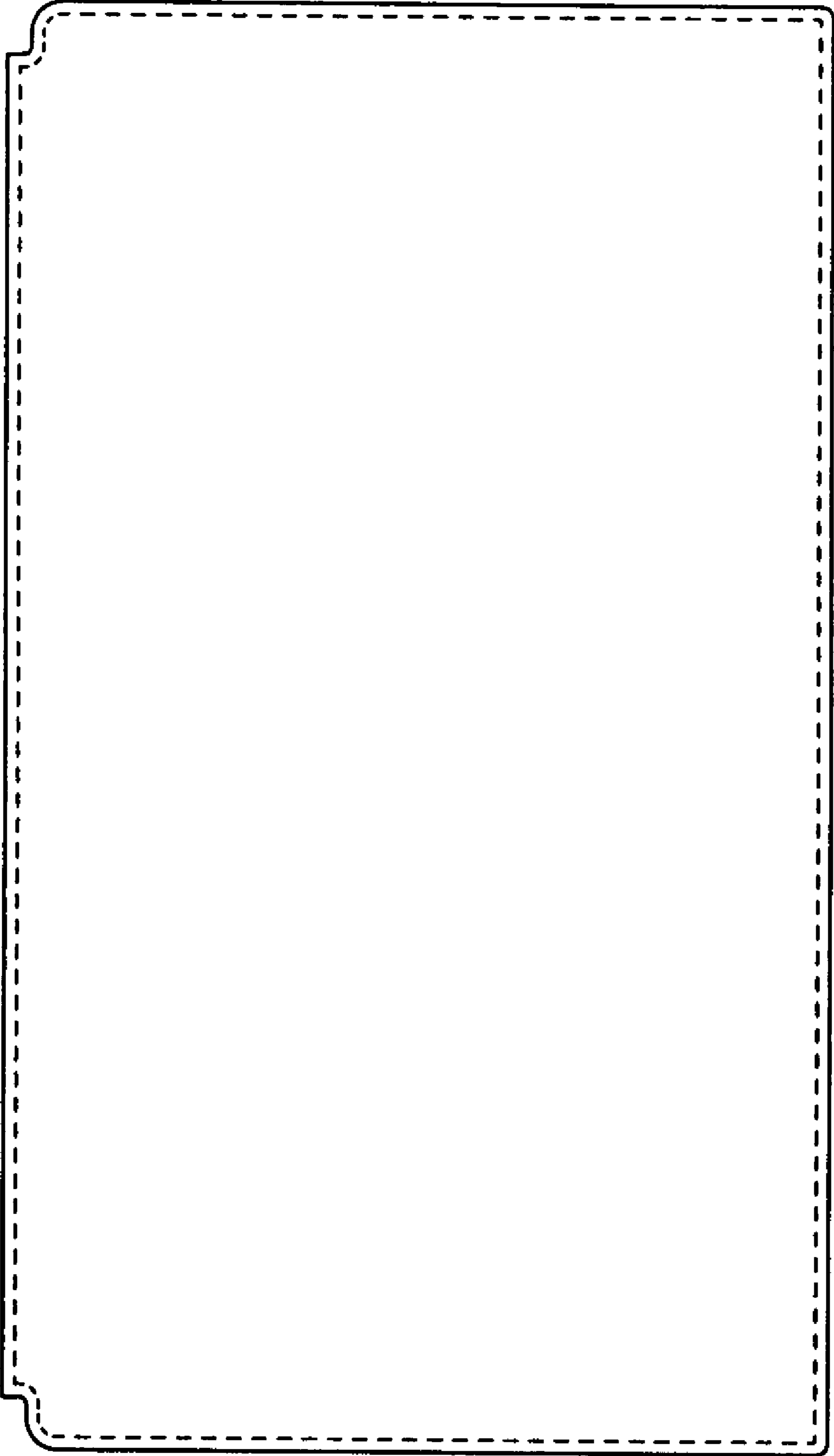


FIG. 7