



US00D560047S

(12) **United States Design Patent**
Kershaw

(10) **Patent No.:** **US D560,047 S**
(45) **Date of Patent:** **** Jan. 15, 2008**

(54) **BUCKET BASE**

(76) **Inventor:** **Thomas Kershaw**, 5626 Riverside Dr.,
Cape Coral, FL (US) 33904

(**) **Term:** **14 Years**

(21) **Appl. No.:** **29/255,210**

(22) **Filed:** **Mar. 6, 2006**

(51) **LOC (8) Cl.** **07-07**

(52) **U.S. Cl.** **D32/54**

(58) **Field of Classification Search** D32/53,
D32/53.1, 54; 280/47.11, 79.5, 47.34, 79.1 R,
280/79.2-79.3, 79.1 A; 248/129; 15/264-265,
15/257.05, 257.06; 220/694-507
See application file for complete search history.

(56) **References Cited**

U.S. PATENT DOCUMENTS

2,060,468	A *	11/1936	Mitchell	220/676
D189,700	S *	1/1961	Bliss	D32/53
D209,870	S *	1/1968	Valpa, Jr.	D32/53
D269,216	S	5/1983	Greenheck		
D276,948	S	12/1984	Wacek et al.		
D309,811	S	8/1990	Terrizzi		
5,472,220	A	12/1995	Stephan		

D373,865	S *	9/1996	Wells	D32/54
D383,271	S	9/1997	Eshelman		
D383,275	S *	9/1997	Hebert	D32/54
6,053,516	A *	4/2000	Ottaway	280/79.5
6,135,467	A	10/2000	Tagariello		
6,209,891	B1 *	4/2001	Herrmann	280/32.6
6,419,246	B1	7/2002	Neal		
6,488,293	B1	12/2002	Mitchell et al.		
6,729,631	B2 *	5/2004	Trine et al.	280/79.5
6,893,032	B2	5/2005	Kershaw		

* cited by examiner

Primary Examiner—Pamela J. Burgess

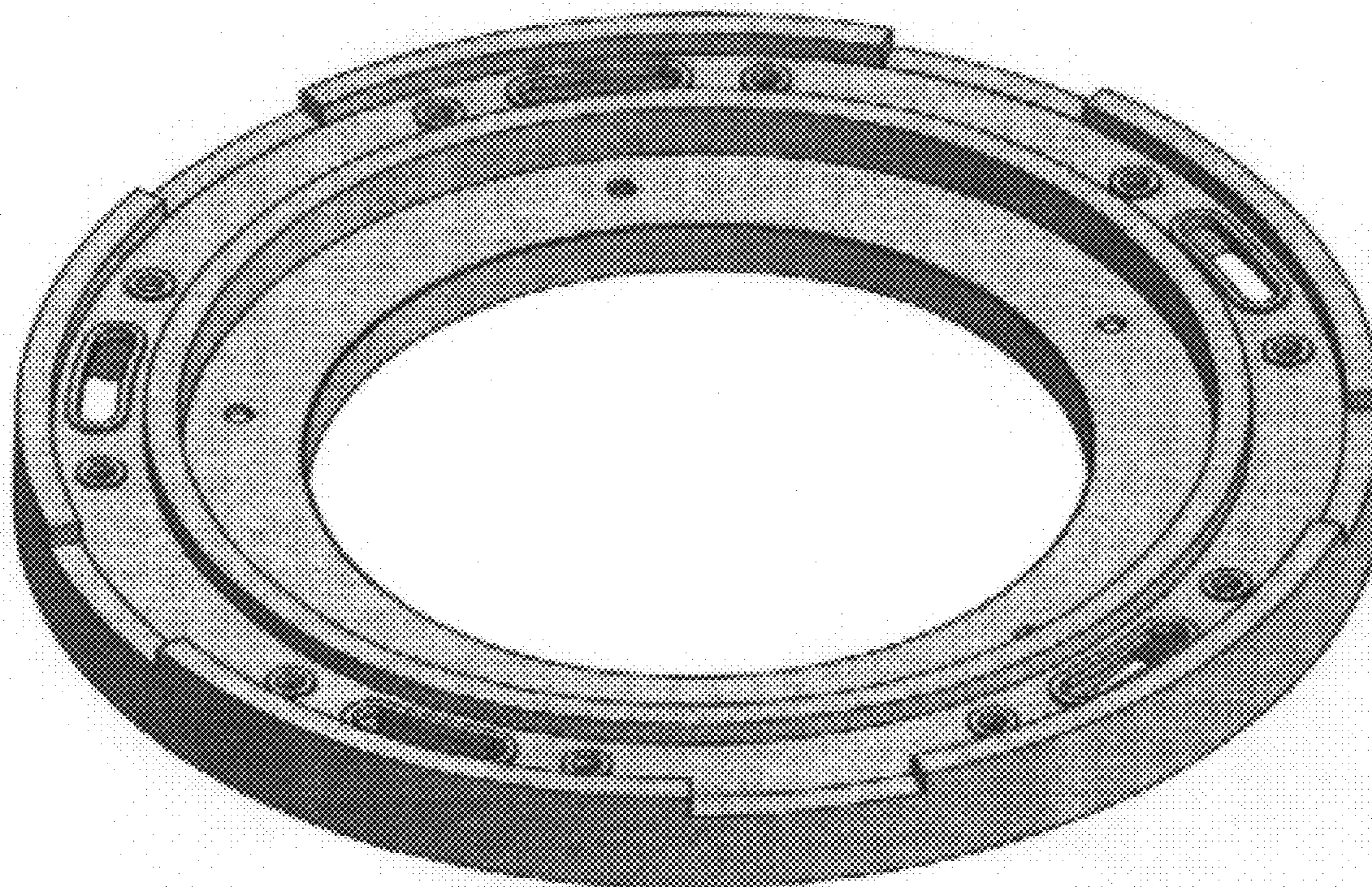
(57) **CLAIM**

The ornamental design for a bucket base, as shown and described.

DESCRIPTION

FIG. 1 is a perspective view from above a bucket base;
FIG. 2 is a perspective view from below a bucket base;
FIG. 3 is a top view of a bucket base;
FIG. 4 is a side elevation view thereof; and,
FIG. 5 is a bottom view thereof.

1 Claim, 2 Drawing Sheets



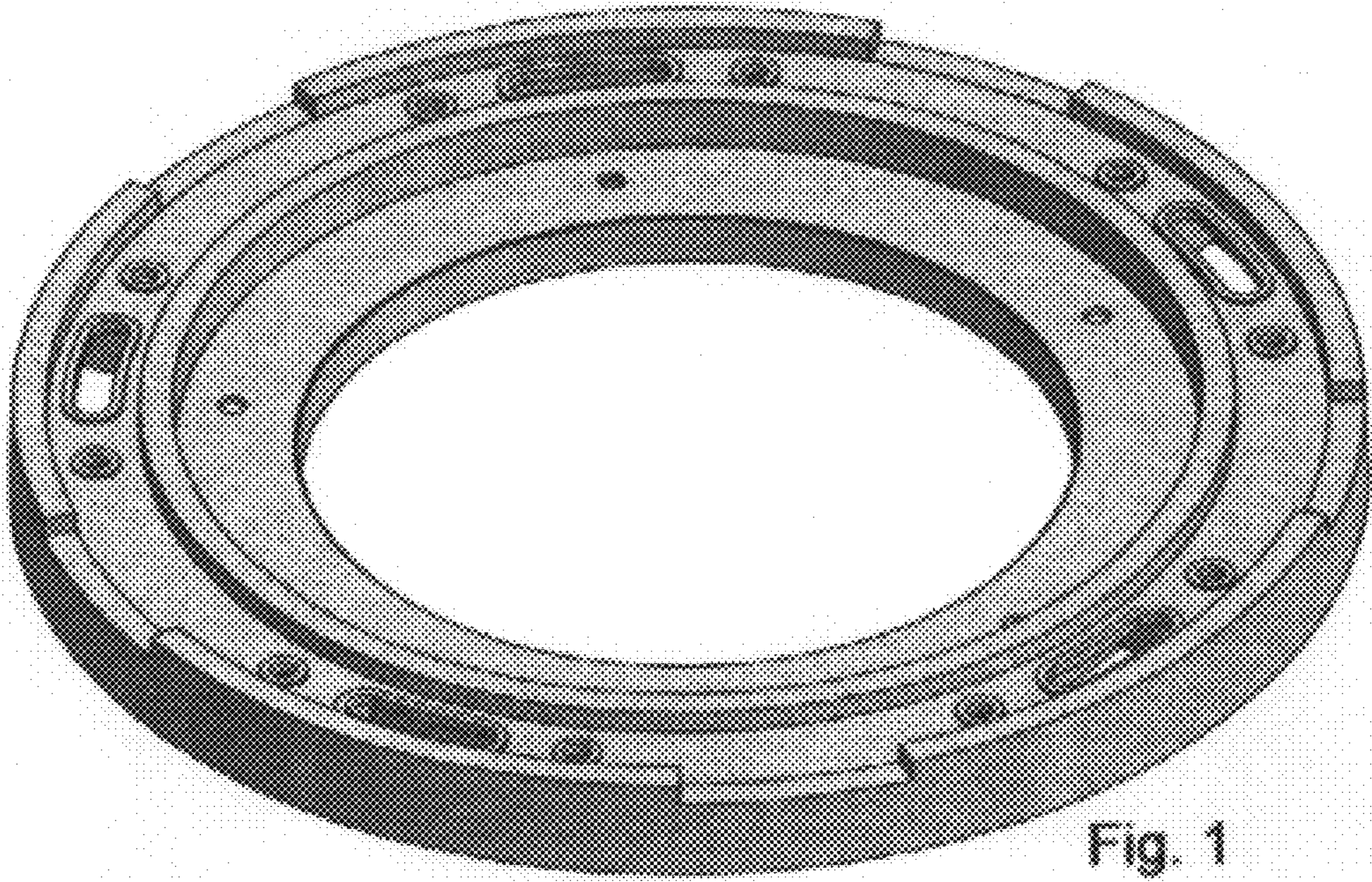


Fig. 1

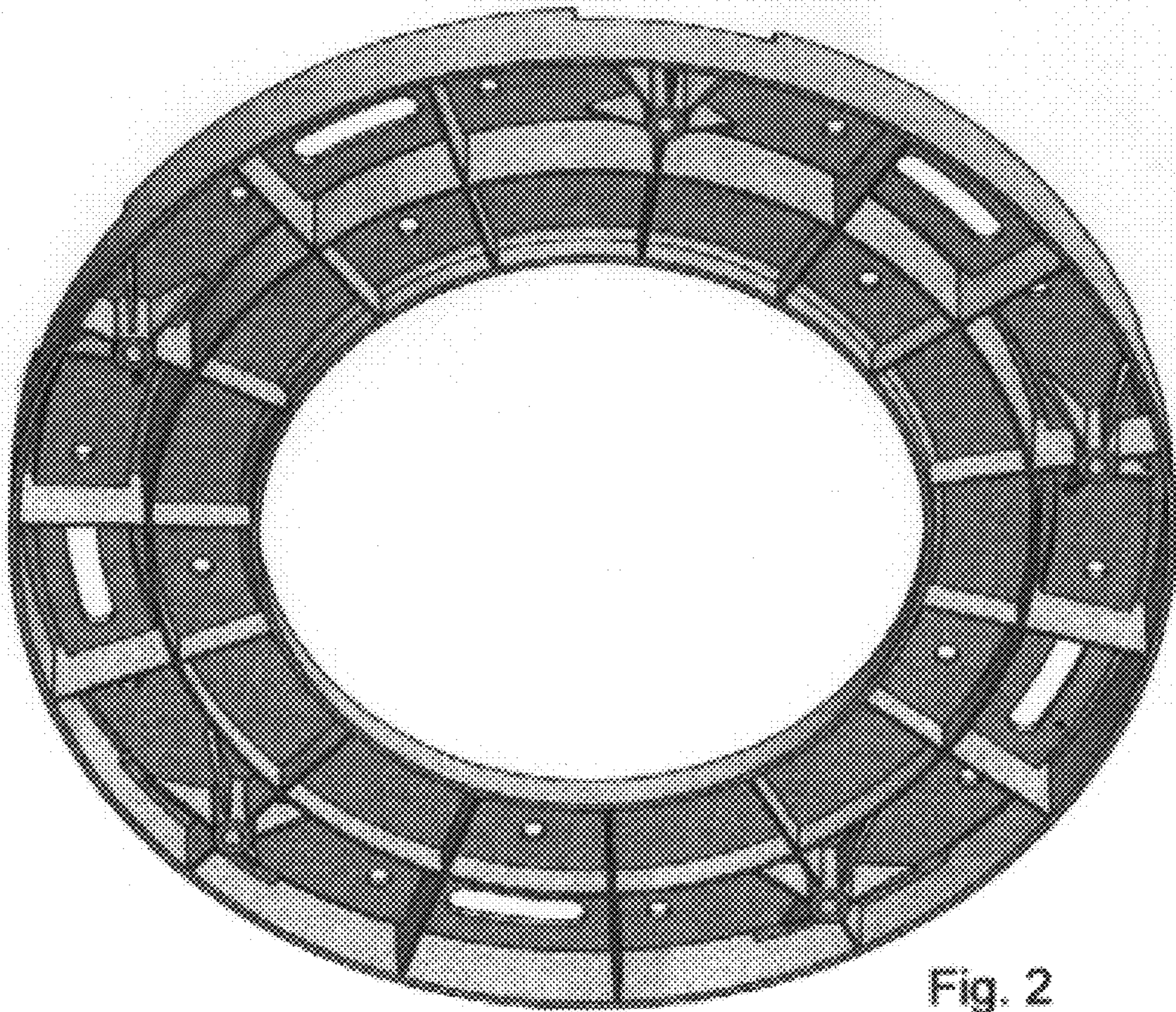


Fig. 2

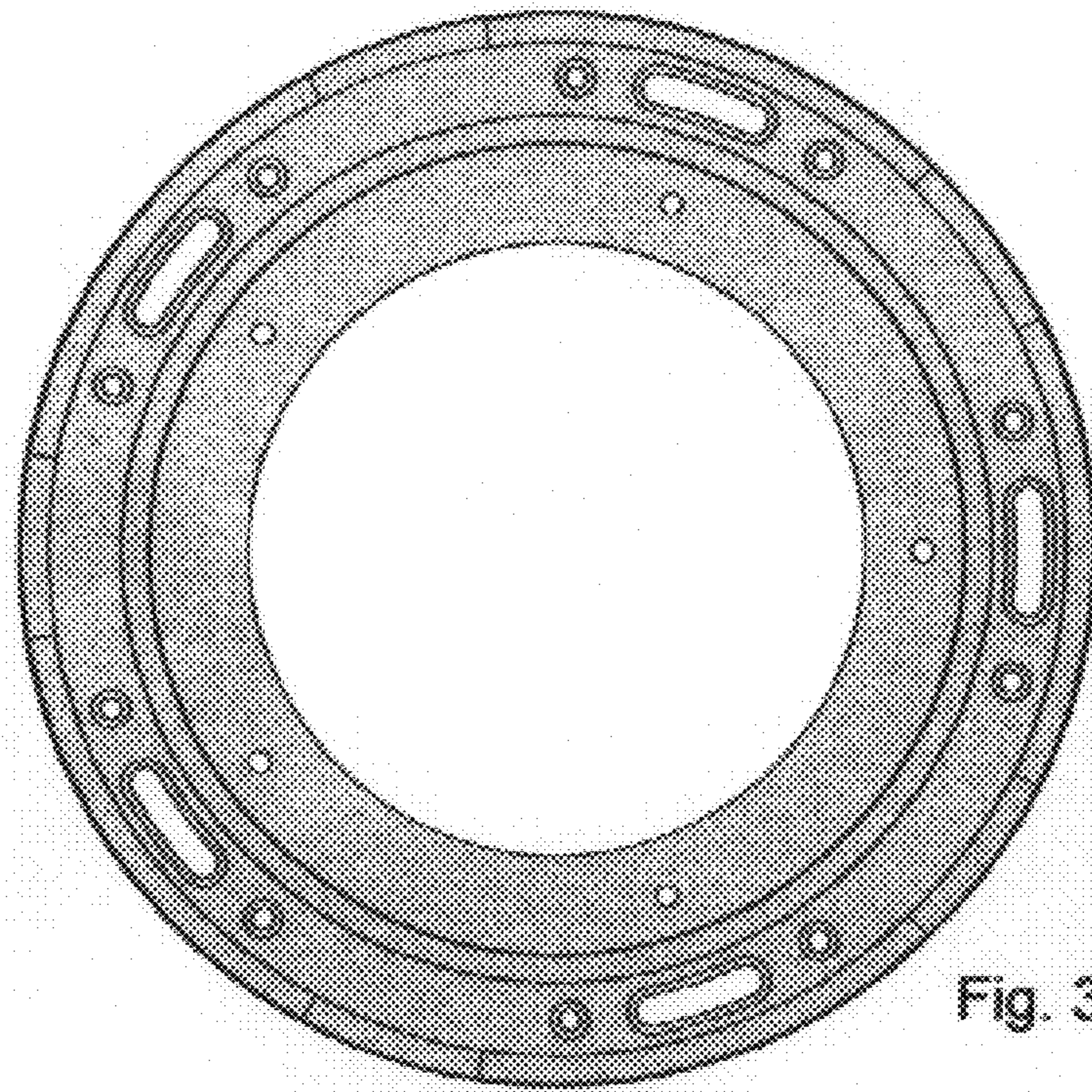


Fig. 3

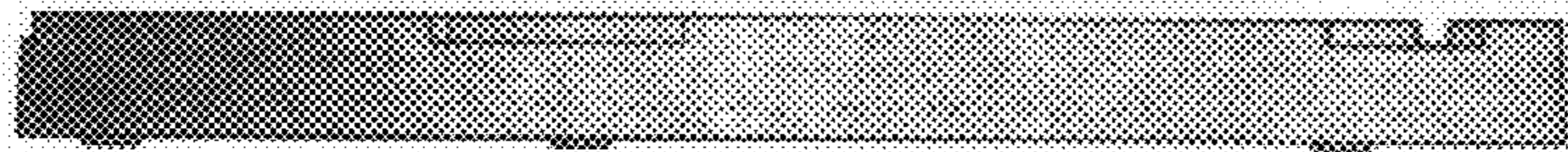


Fig. 4

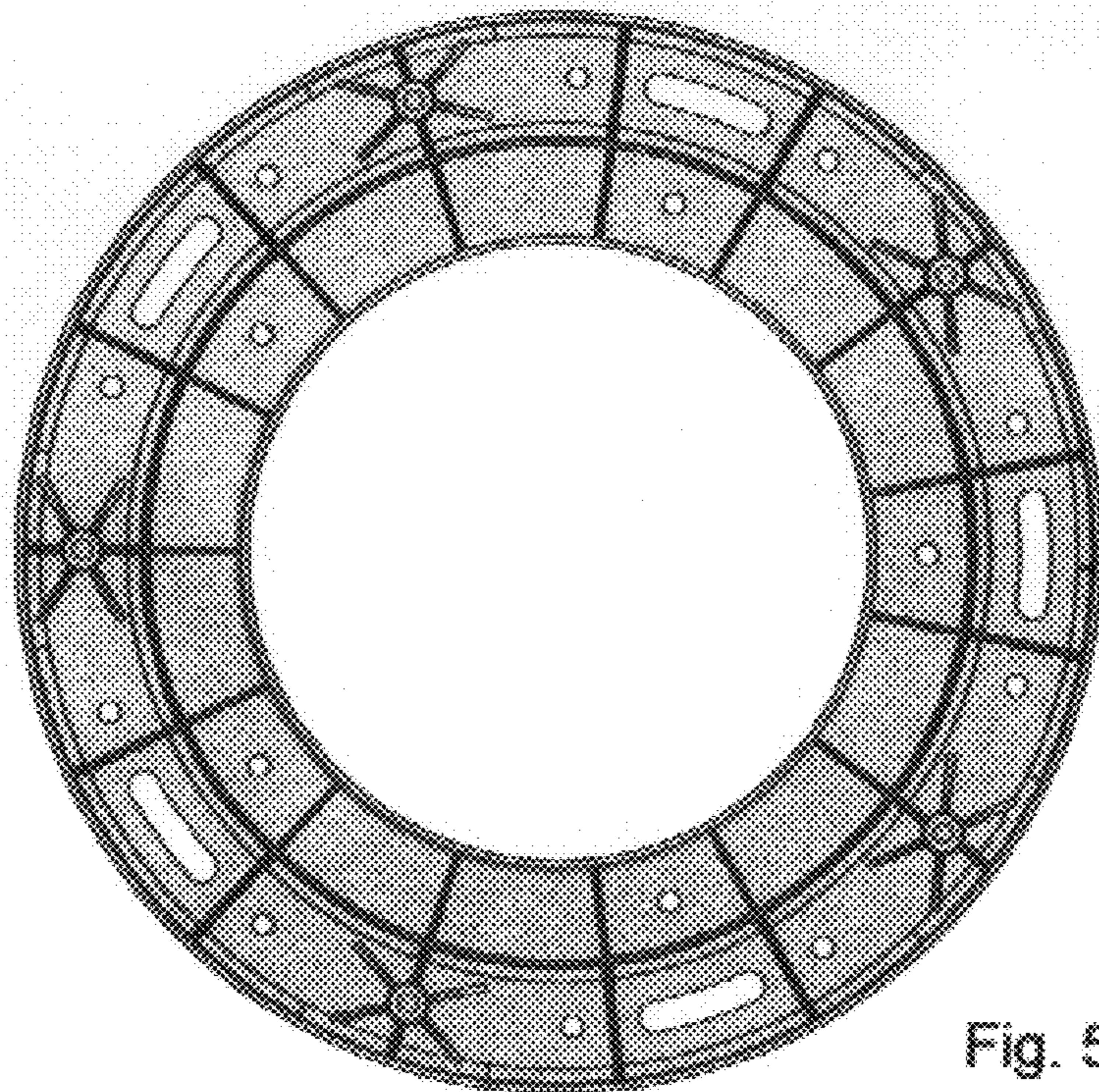


Fig. 5