

US00D560045S

(12) **United States Design Patent**
Graham et al.

(10) **Patent No.:** **US D560,045 S**
(45) **Date of Patent:** **** Jan. 15, 2008**

(54) **BRUSH AND ROLLER CLEANER**

FOREIGN PATENT DOCUMENTS

(75) Inventors: **Romeo Graham**, Chelsea (CA);
Robert D. Watters, Ottawa (CA);
Michael G. Sirois, Ottawa (CA);
Tracine Andrus, Baltimore, MD (US)

EP 0879553 A2 11/1998
GB 2266682 11/1993

Primary Examiner—Stella M. Reid
Assistant Examiner—Kathleen Sims
(74) *Attorney, Agent, or Firm*—Kramer & Amado, P.C.

(73) Assignee: **Black & Decker**, Towson, MD (US)

(**) Term: **14 Years**

(57) **CLAIM**

(21) Appl. No.: **29/256,512**

The ornamental design for a brush and roller cleaner, as shown and described.

(22) Filed: **Mar. 22, 2006**

DESCRIPTION

(51) **LOC (8) Cl.** **15-05**

FIG. 1 is a perspective view of the brush and roller cleaner of the present invention;

(52) **U.S. Cl.** **D32/1**

FIG. 2 is a rear perspective view of the brush and roller cleaner of FIG. 1;

(58) **Field of Classification Search** D32/1,
D32/25, 35, 29, 17, 21–23, 13, 30, 53, 53.1,
D32/54; 15/1, 104.92, 310, 302; 134/135,
134/199–201, 138, 149, 900; D23/213
See application file for complete search history.

FIG. 3 is a bottom perspective view of the brush and roller cleaner of FIG. 1;

(56) **References Cited**

FIG. 4 is a top plan view of the brush and roller cleaner retainer of FIG. 1;

U.S. PATENT DOCUMENTS

FIG. 5 is a front plan view of the brush and roller cleaner of FIG. 1;

2,239,741 A	4/1941	Schroder	
2,341,488 A *	2/1944	Taylor	123/195 S
2,794,265 A	6/1957	Kruger	
2,826,826 A	3/1958	Boehm	
2,902,773 A	9/1959	Dudek	
2,965,111 A	12/1960	Feigelman	
3,075,534 A *	1/1963	Habostad	134/138
3,428,060 A *	2/1969	Spivey	134/141
3,587,599 A *	6/1971	Bywater	134/138
3,696,457 A	10/1972	Hand	
3,886,960 A *	6/1975	Krueger	134/138
3,927,539 A	12/1975	Harkison	
4,003,835 A	1/1977	Johnson	
4,446,590 A	5/1984	Kirchner, Jr. et al.	
4,501,314 A	2/1985	Wakabayashi et al.	
4,641,673 A	2/1987	Conley et al.	

FIG. 6 is a rear plan view of the brush and roller cleaner of FIG. 1;

FIG. 7 is a left plan view of the brush and roller cleaner of FIG. 1;

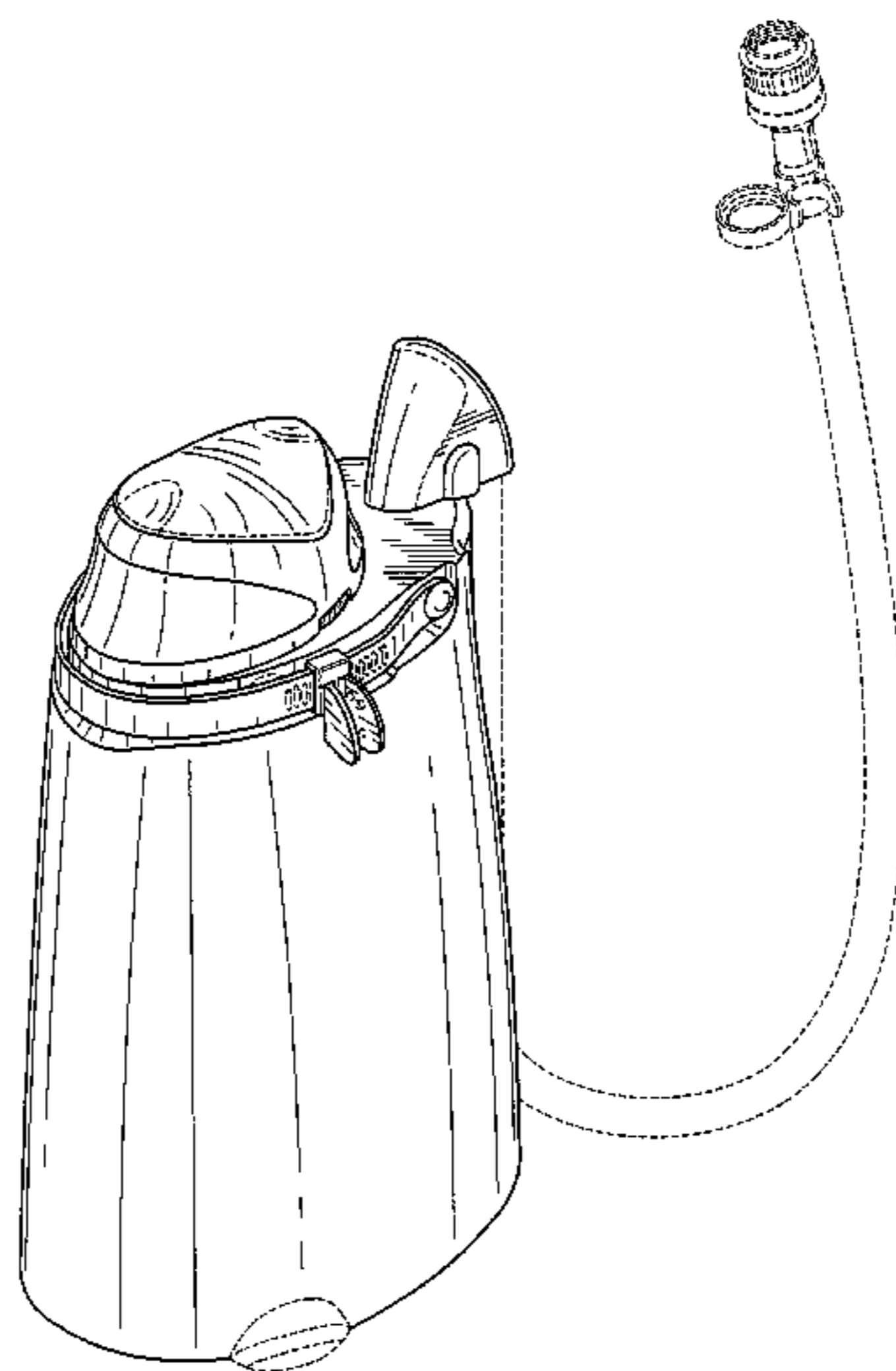
FIG. 8 is a right plan view of the brush and roller cleaner of FIG. 1: and,

FIG. 9 is a bottom plan view of the brush and roller cleaner of FIG. 1.

The broken line showing of a hose, hose attachment, appliance feet, interior portions, and exterior features shown in FIGS. 1–8 is included for the purpose of illustrating portions of the brush and roller cleaner and forms no part of the claimed design.

(Continued)

1 Claim, 9 Drawing Sheets



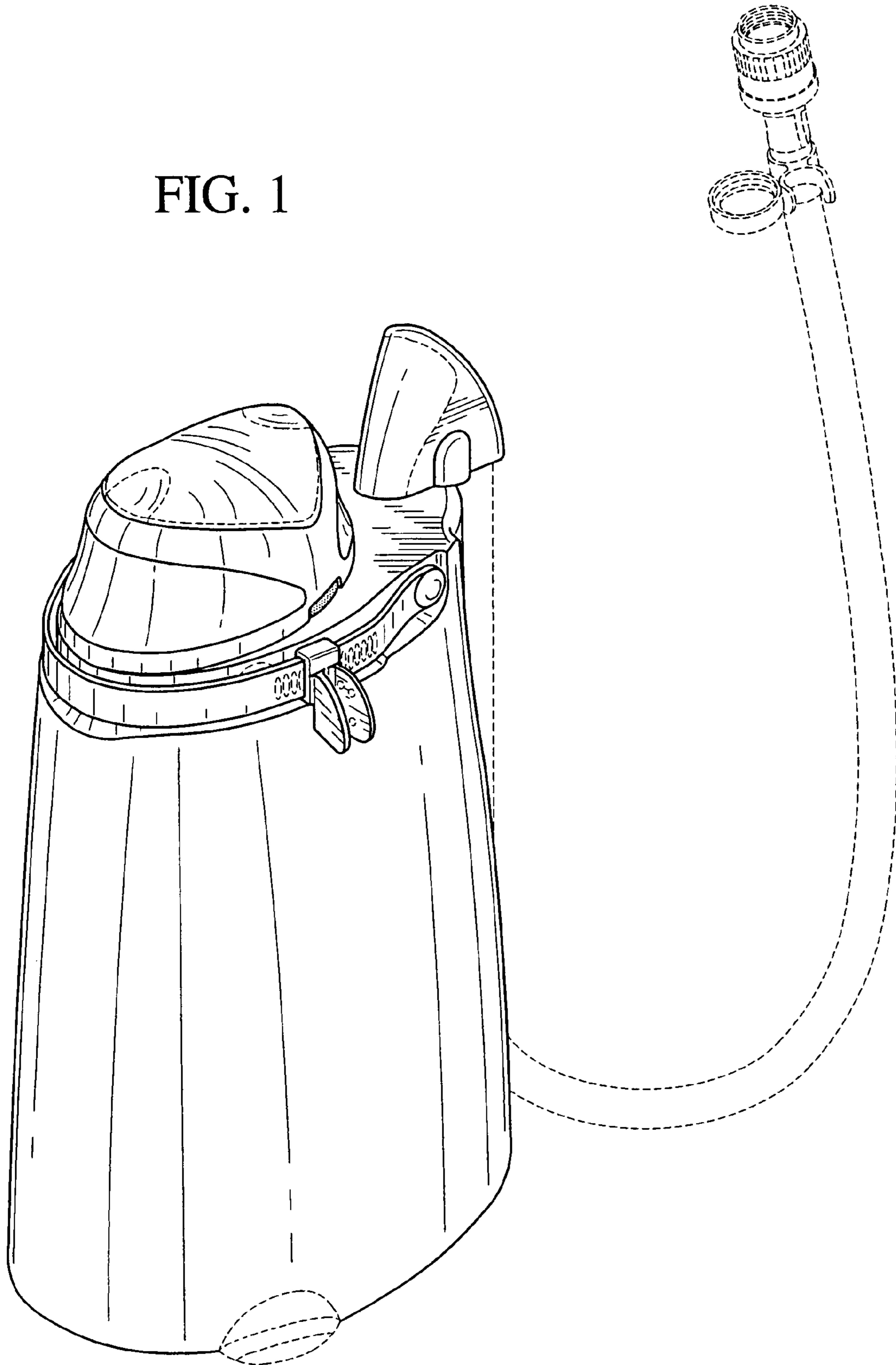
US D560,045 S

Page 2

U.S. PATENT DOCUMENTS						
				5,499,767 A	3/1996	Morand
				5,785,590 A	7/1998	Tsuchida
4,711,258 A *	12/1987	Rossborough et al.	134/138	5,829,653 A	11/1998	Kaiser
4,976,031 A	12/1990	Miller		6,019,111 A	2/2000	Gillies
5,095,928 A	3/1992	Phipps		6,802,464 B2	10/2004	Marconnet
5,184,637 A	2/1993	Kowis		D516,257 S *	2/2006	Brackett et al. D32/1
5,184,775 A	2/1993	Kerber		2002/0190404 A1	12/2002	Baarda
5,221,297 A	6/1993	Childress et al.				
D340,327 S *	10/1993	Alderete	D32/35			

* cited by examiner

FIG. 1



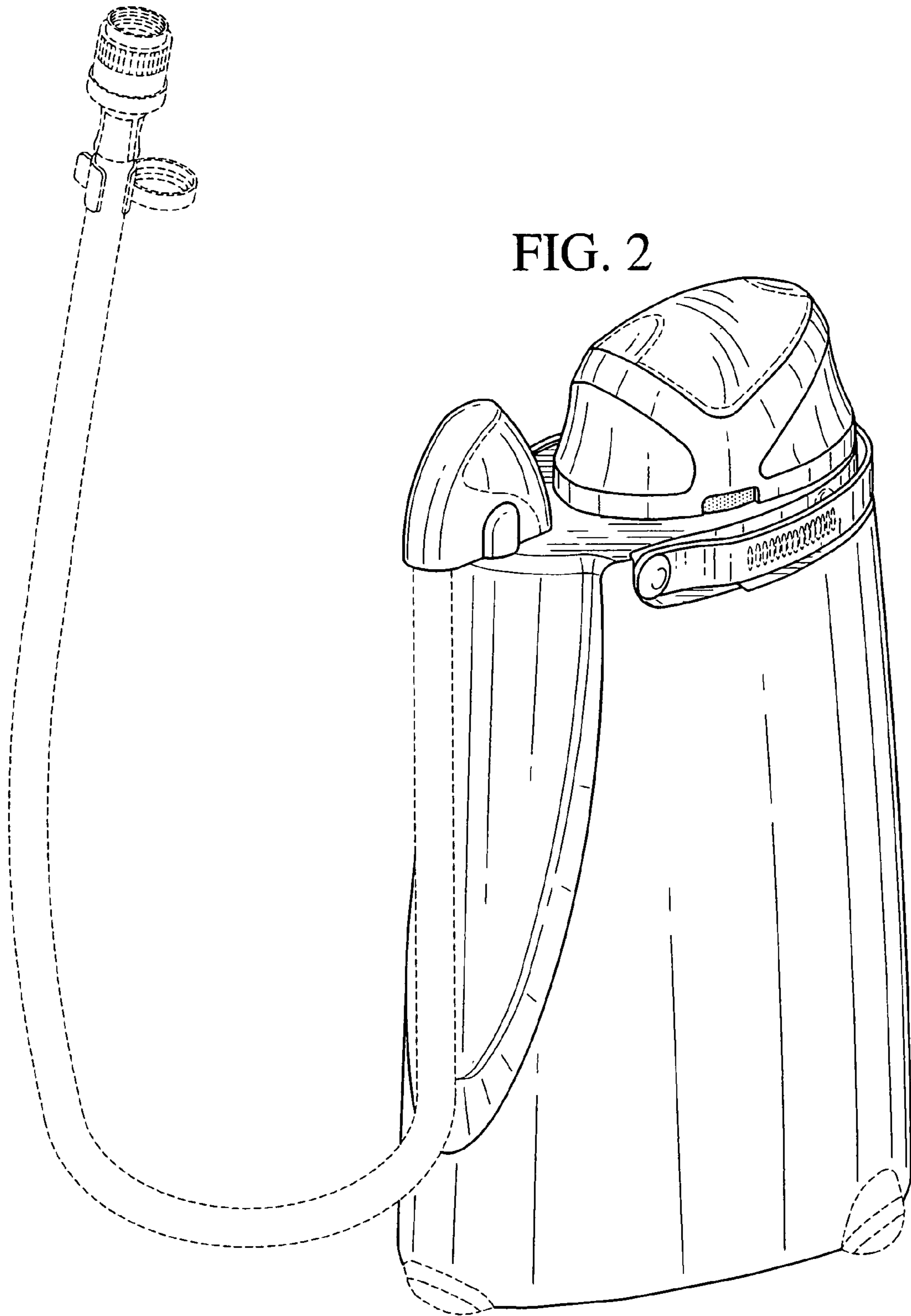
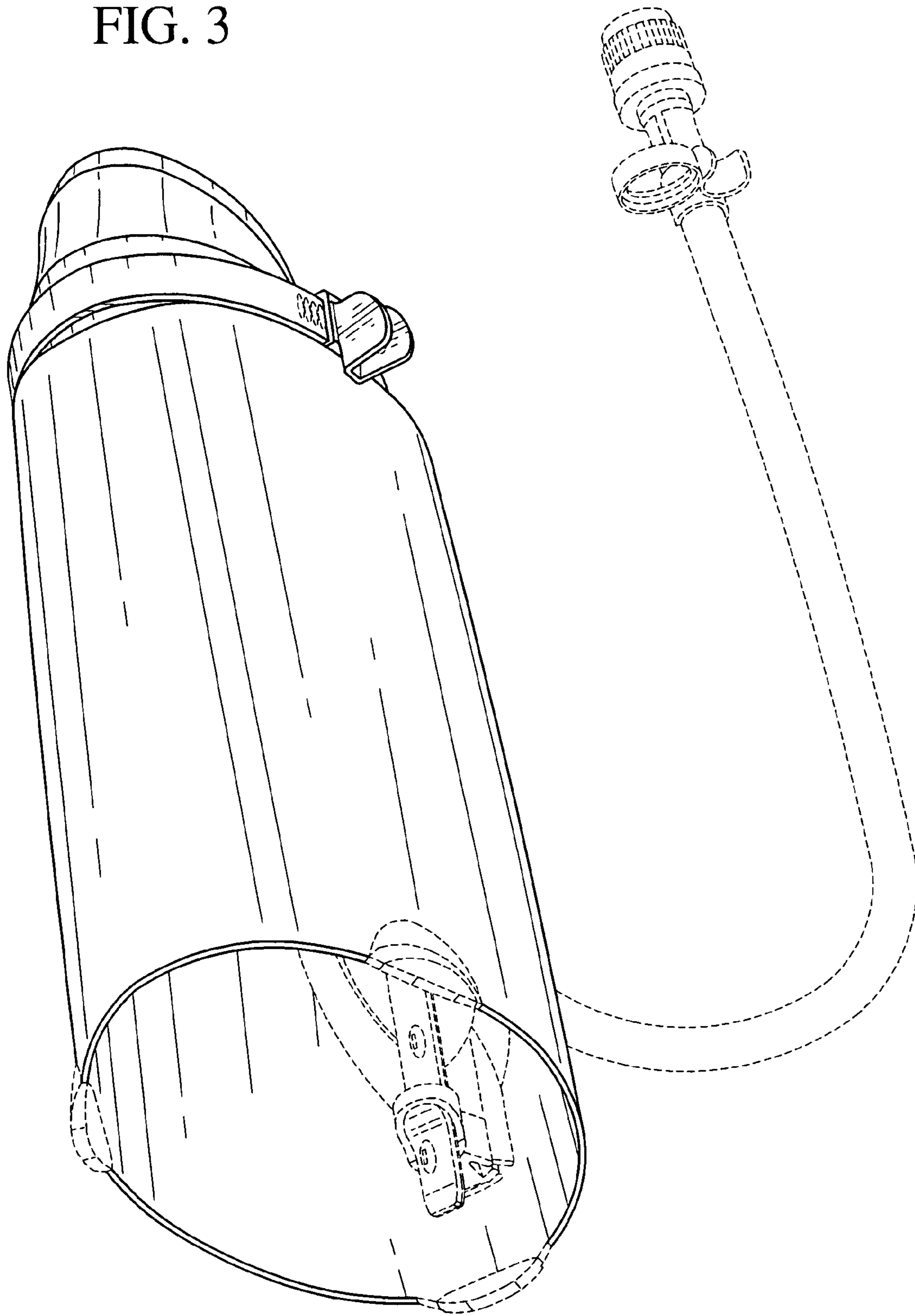


FIG. 3



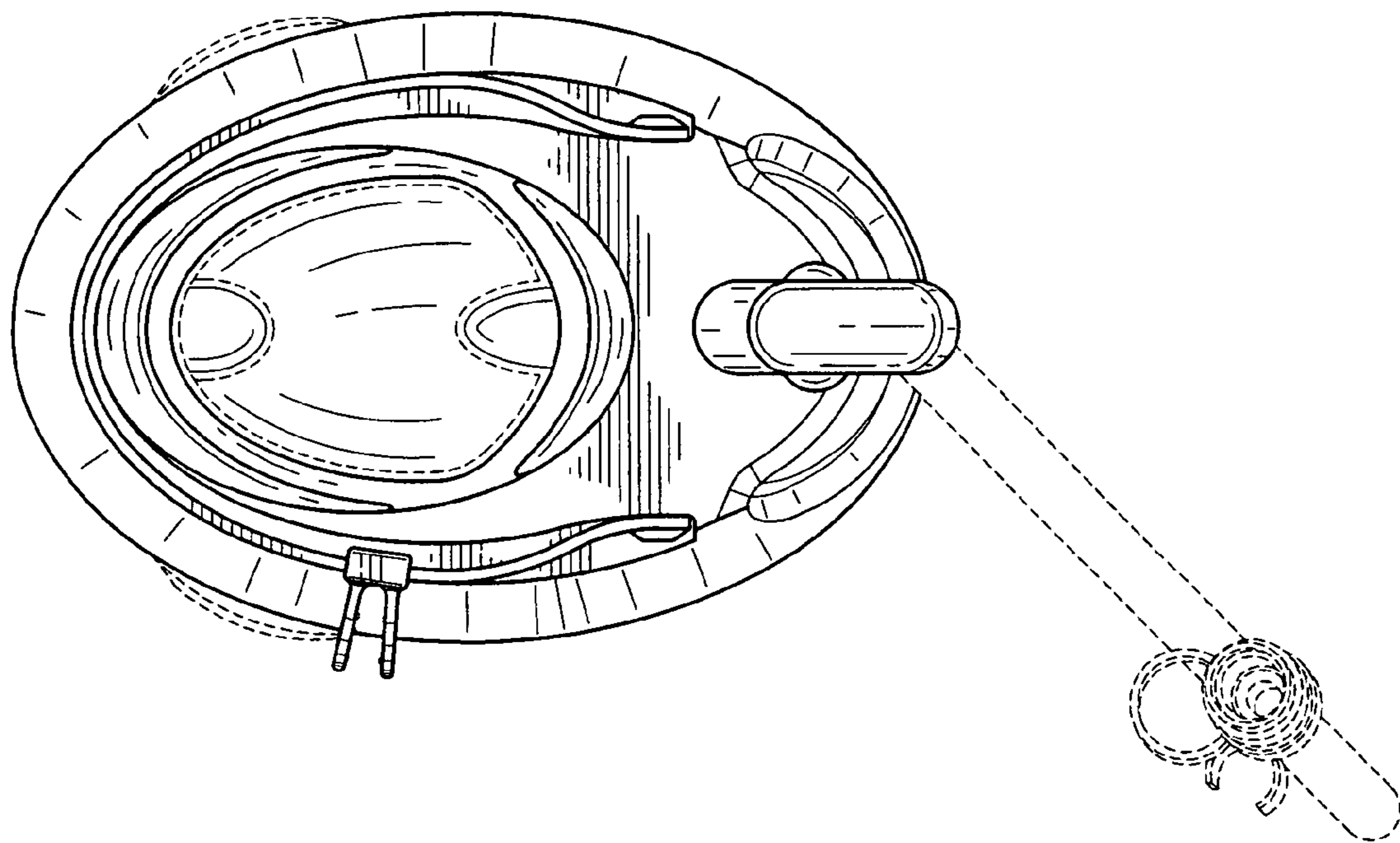
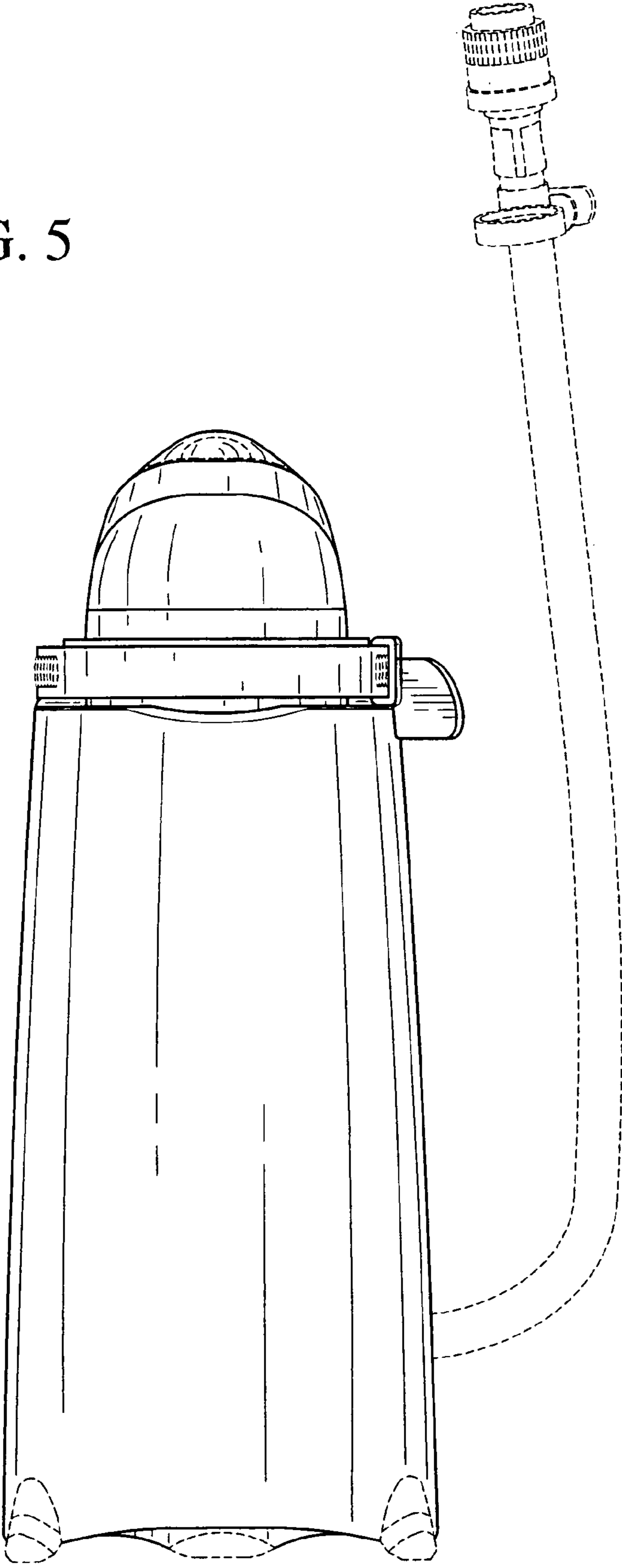


FIG. 4

FIG. 5



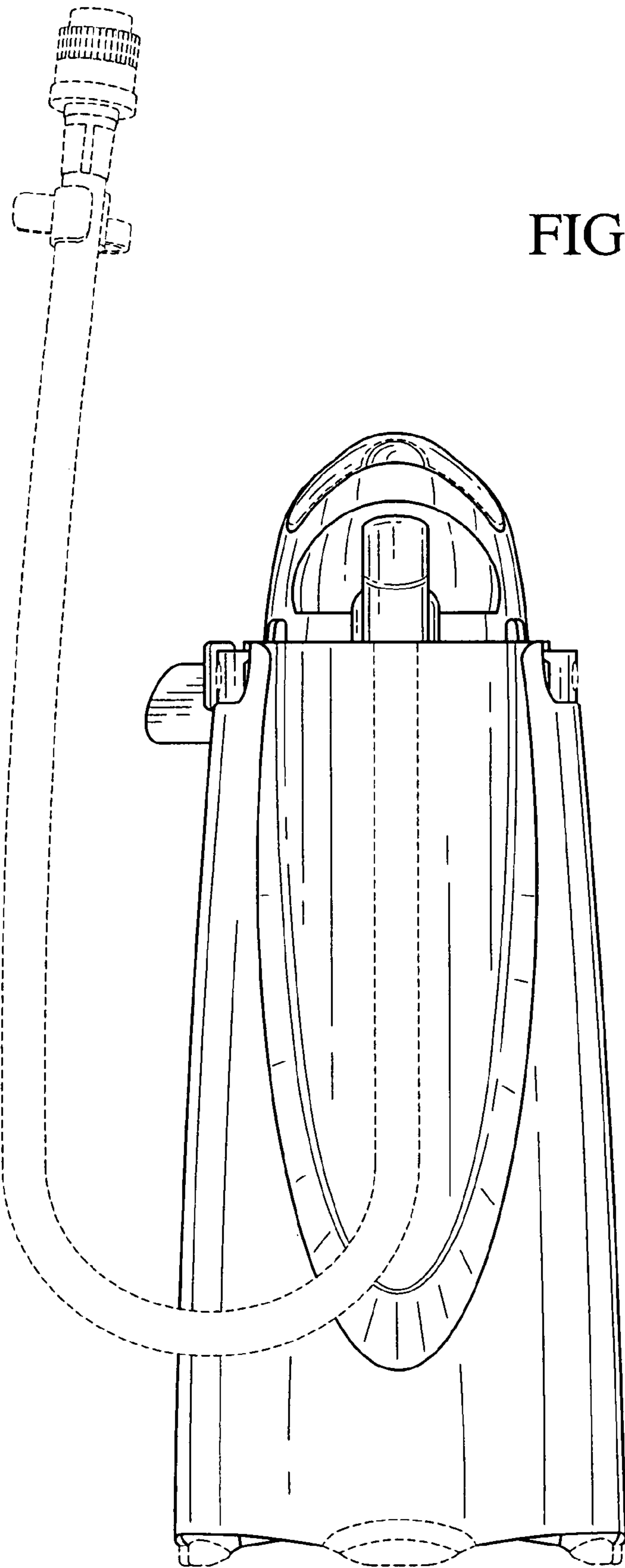


FIG. 6

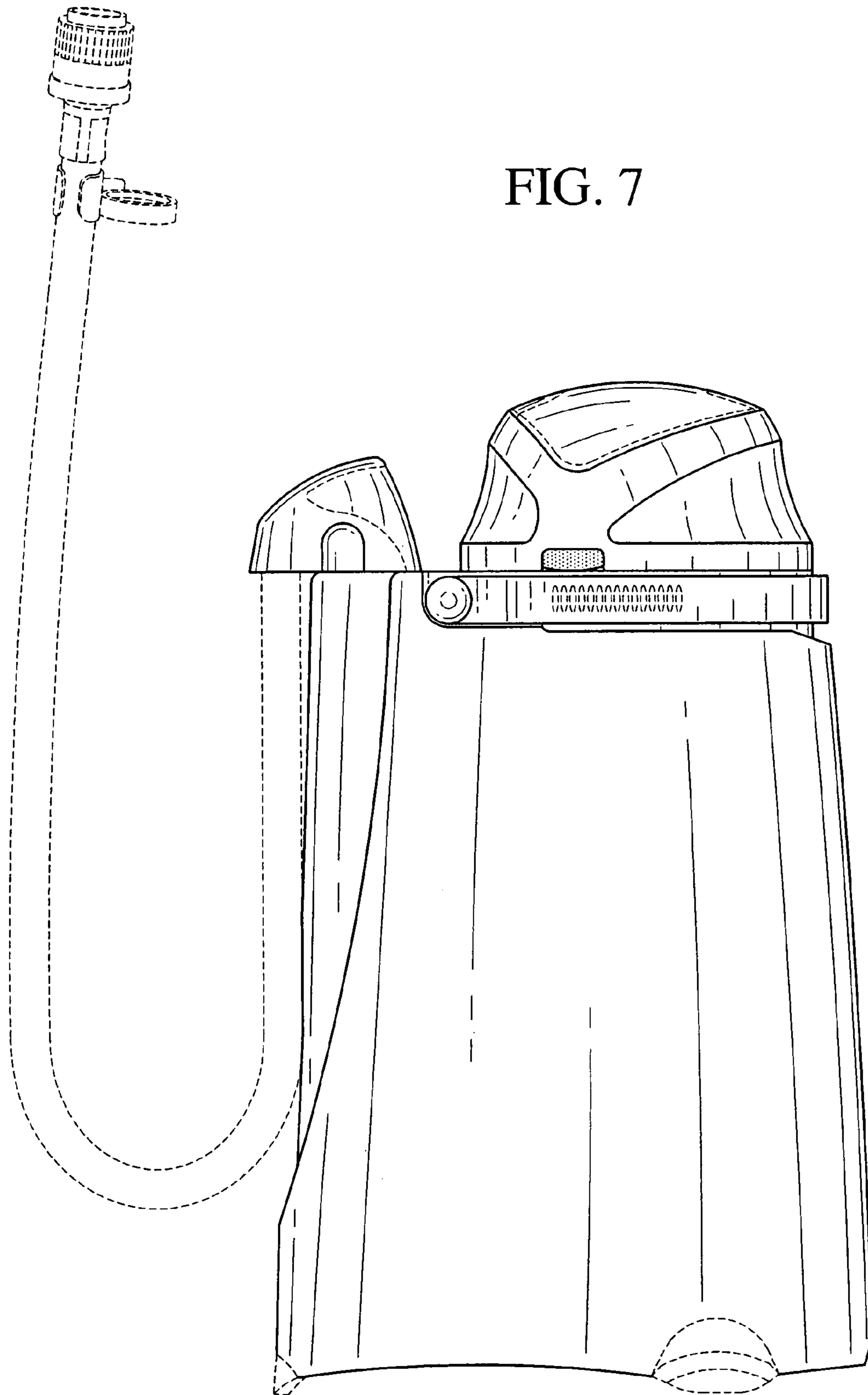
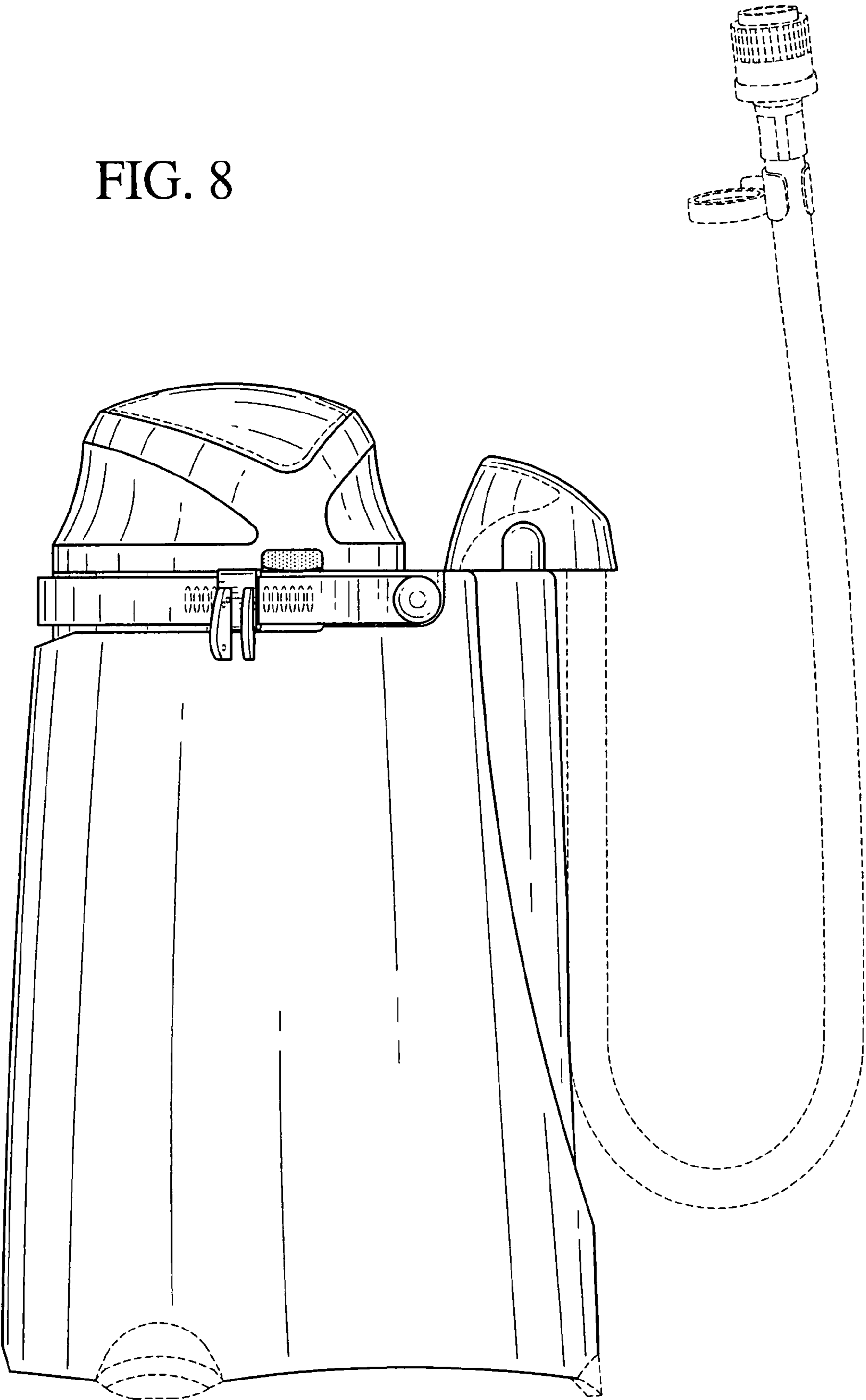


FIG. 7

FIG. 8



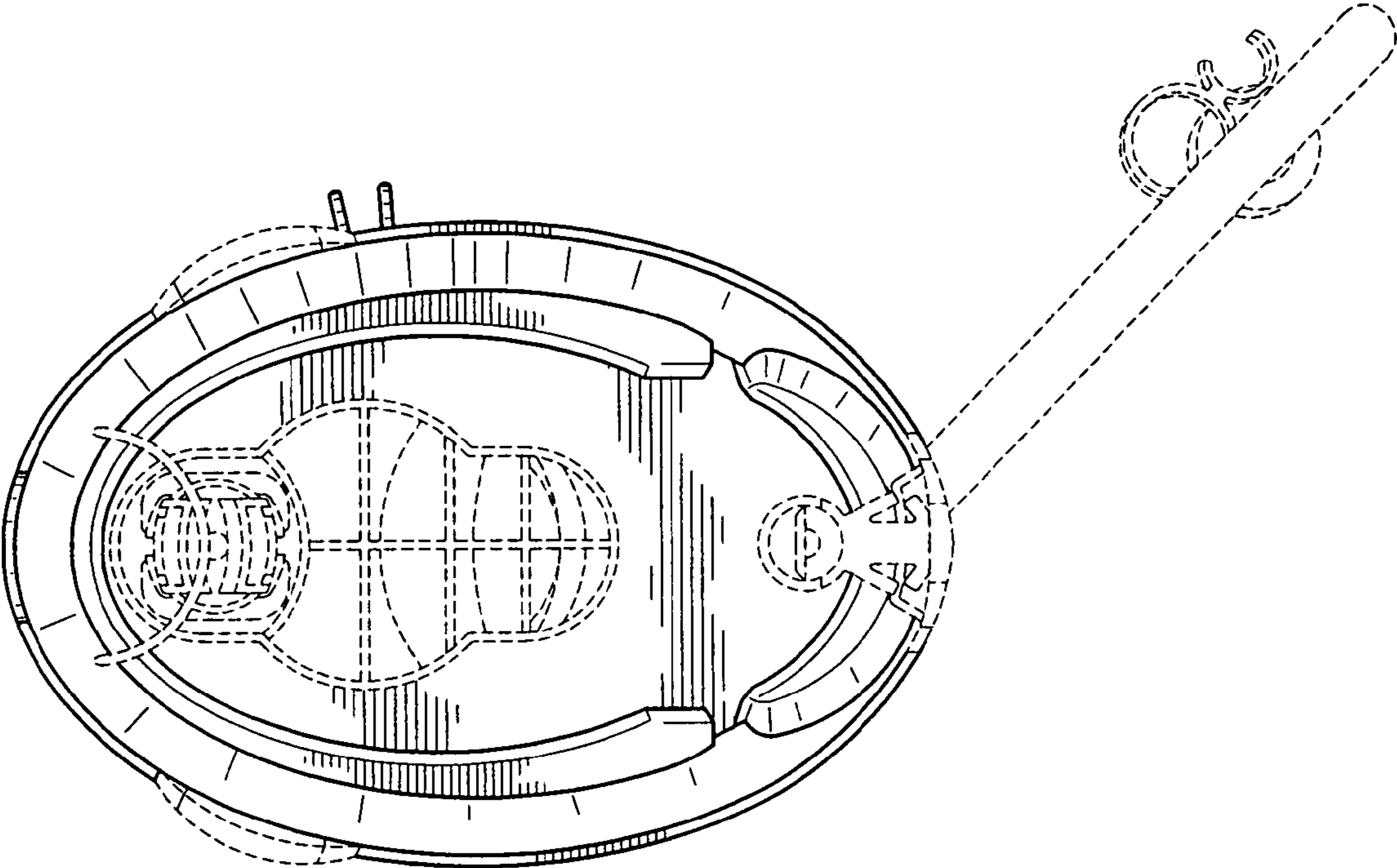


FIG. 9