



US00D560043S

(12) **United States Design Patent**
Nishi

(10) **Patent No.:** **US D560,043 S**

(45) **Date of Patent:** **** Jan. 15, 2008**

(54) **KNEE PAD**

(75) Inventor: **Fumitake Nishi**, Minnetonka, MN (US)

(73) Assignee: **The Tile Shop, LLC**, Plymouth, MN (US)

(**) Term: **14 Years**

(21) Appl. No.: **29/277,329**

(22) Filed: **Feb. 21, 2007**

(51) **LOC (8) Cl.** **29-02**

(52) **U.S. Cl.** **D29/121.1**

(58) **Field of Classification Search** D29/100,
D29/121.1, 122; D24/190; 2/16, 22, 23,
2/24, 62, 267, 455, 911; 602/26
See application file for complete search history.

(56) **References Cited**

U.S. PATENT DOCUMENTS

2,785,407	A	3/1957	Reeder	
D195,191	S	5/1963	Marvid	
D255,728	S *	7/1980	Baron D29/121.1
4,353,362	A *	10/1982	DeMarco 602/26
4,751,748	A	6/1988	Ekins	
D355,052	S *	1/1995	Paikos et al. D29/100
D406,677	S *	3/1999	Koschmann et al. D29/121.1
6,029,273	A *	2/2000	McCrane 2/24
D434,878	S *	12/2000	Bonaventure et al.	.. D29/121.1
6,253,376	B1	7/2001	Ritter	
D453,976	S *	2/2002	Slutterback D29/121.1

D464,177	S	10/2002	Troxell	
D478,992	S *	8/2003	Burke D24/190
D492,068	S *	6/2004	Peterson et al. D29/121.1
D494,324	S *	8/2004	Mundy et al. D29/121.1

* cited by examiner

Primary Examiner—Gary D. Watson

Assistant Examiner—Barbara B Lohr

(74) *Attorney, Agent, or Firm*—Fredrikson & Byron, PA

(57) **CLAIM**

I claim the ornamental design for the knee pad, as shown and described.

DESCRIPTION

FIG. 1 is a perspective view of the knee pad of my new design;

FIG. 2 is a perspective view thereof within its environment

FIG. 3 is a front elevational view thereof;

FIG. 4 is a bottom plan view thereof;

FIG. 5 is a top plan view thereof;

FIG. 6 is a rear elevational view thereof;

FIG. 7 is a right side elevational view thereof; and,

FIG. 8 is a left side elevational view thereof.

The broken lines showing part of the leg with the knee area in FIG. 2 are for environmental purposes only and form no part of the claimed design.

1 Claim, 5 Drawing Sheets

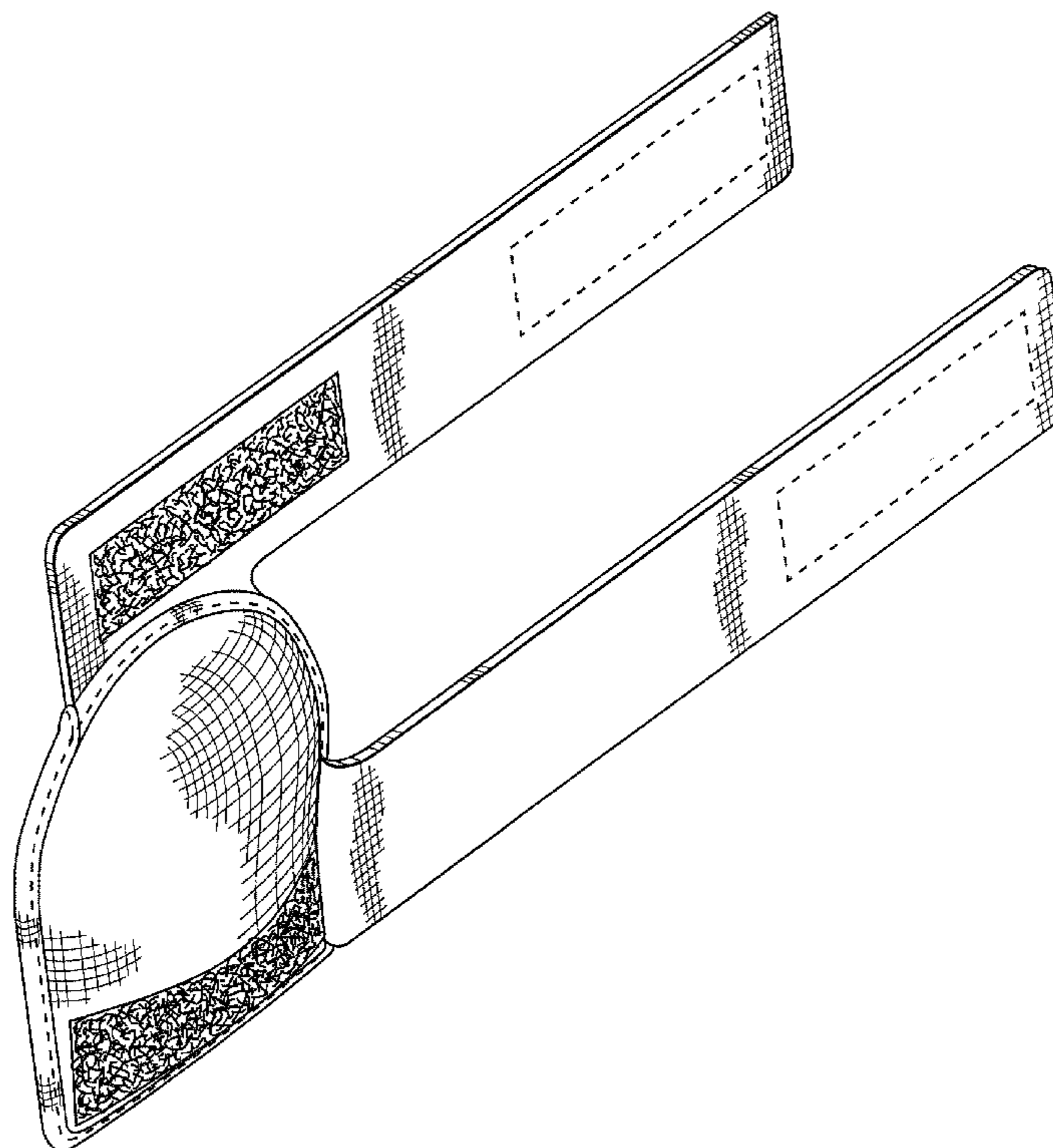


Fig. 1

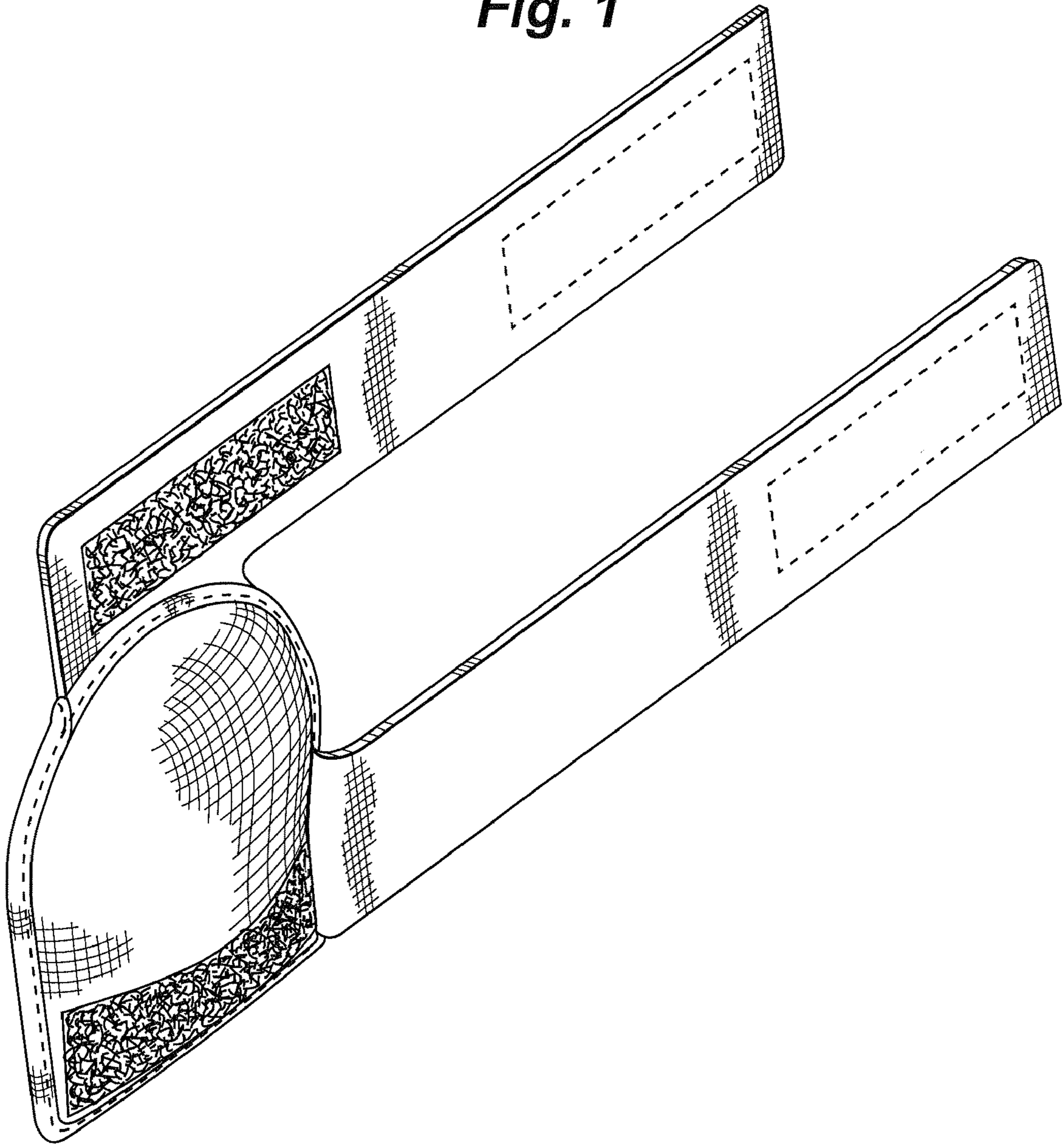


Fig. 2

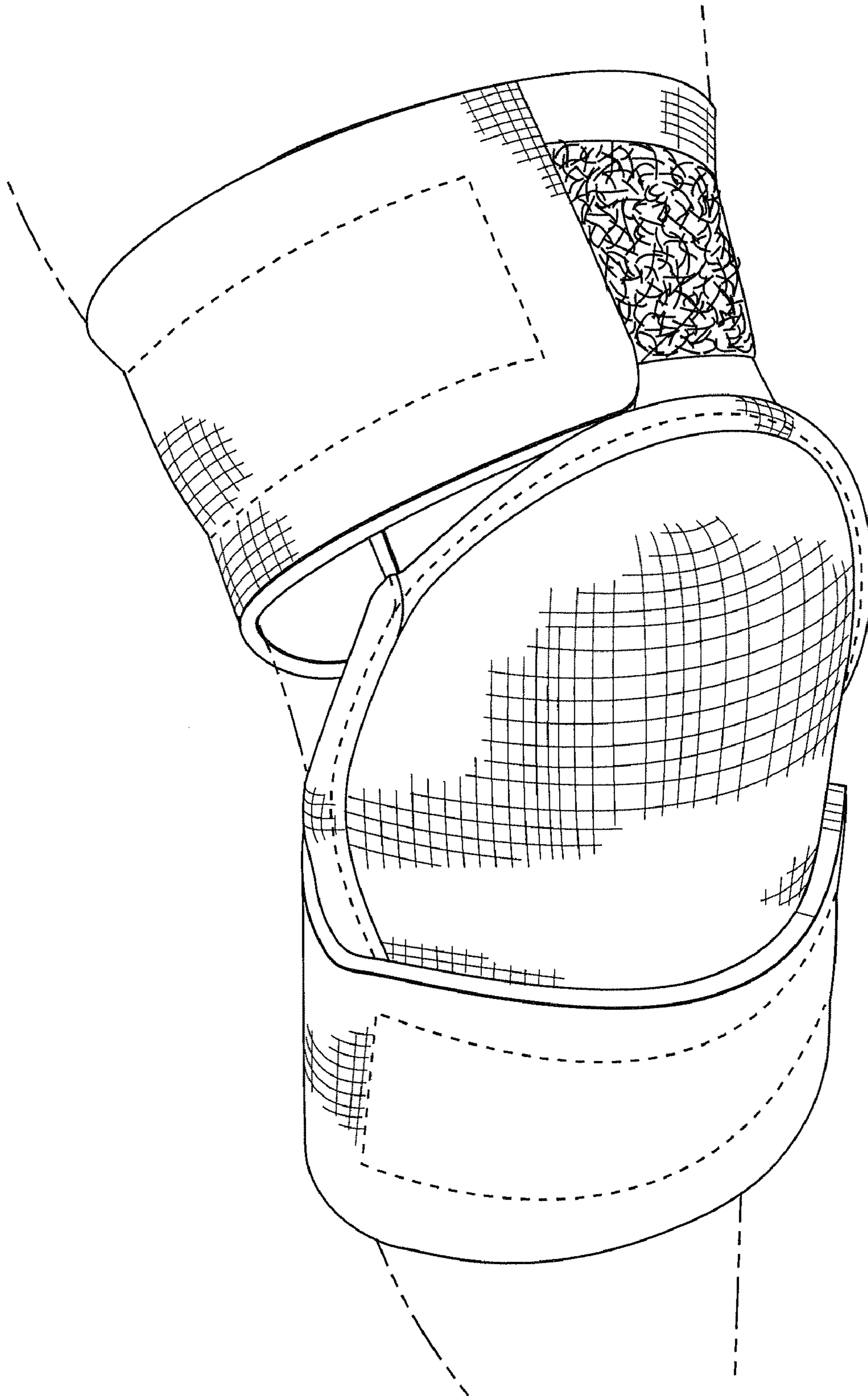


Fig. 3

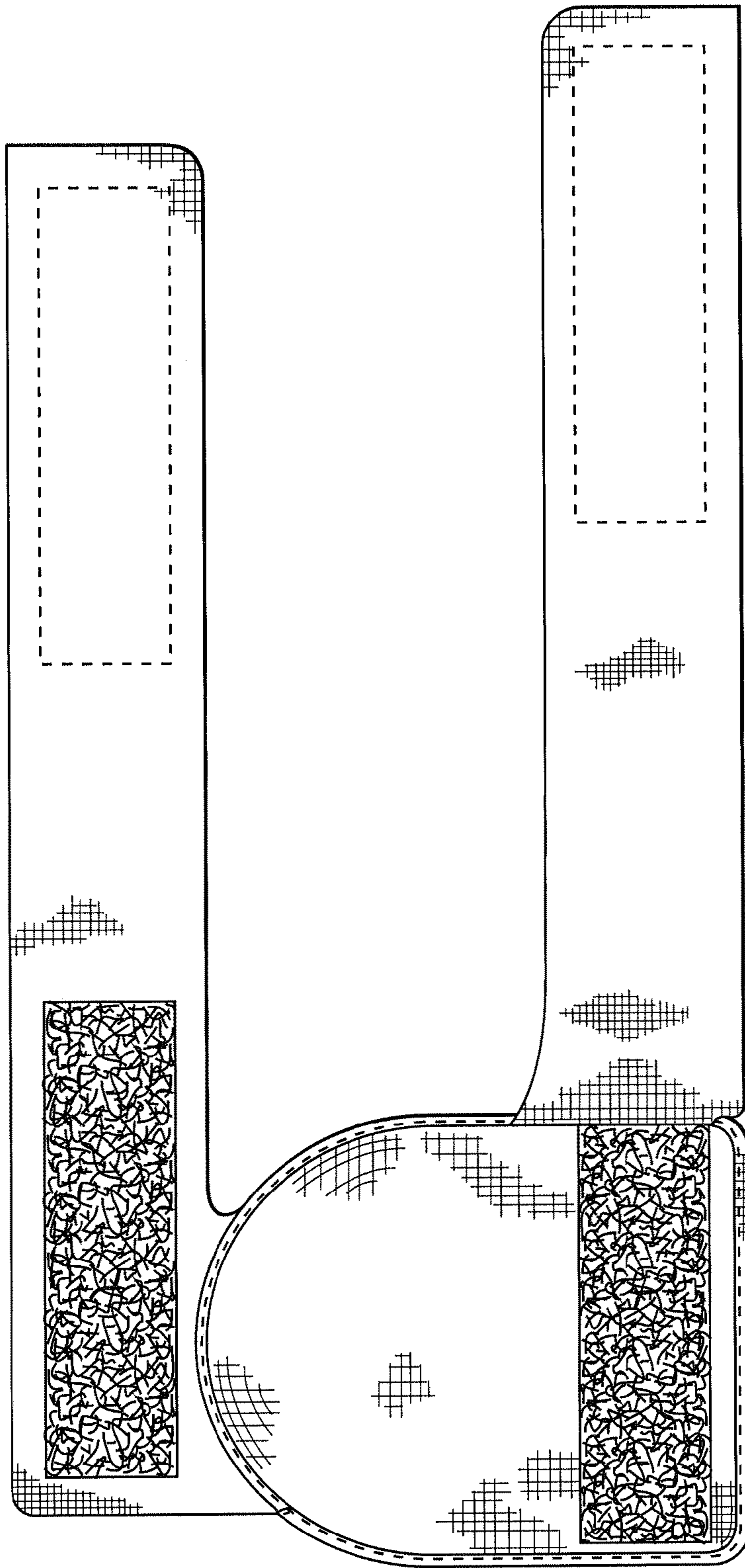


Fig. 4

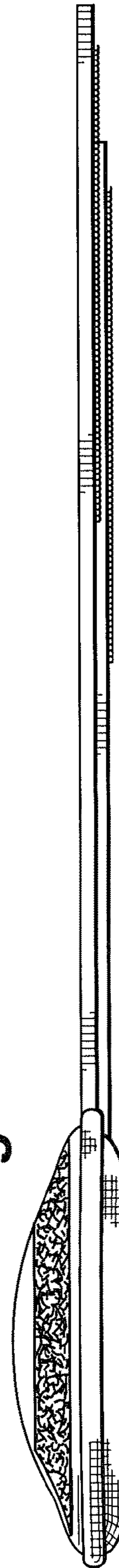


Fig. 5

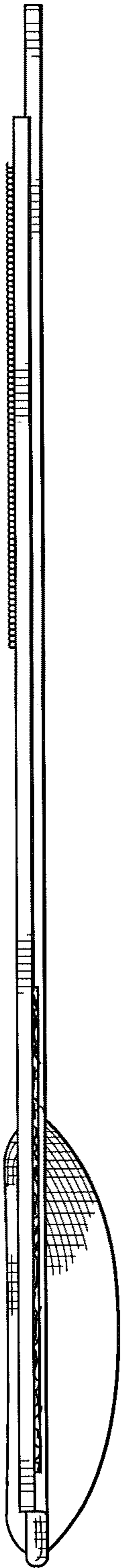


Fig. 6

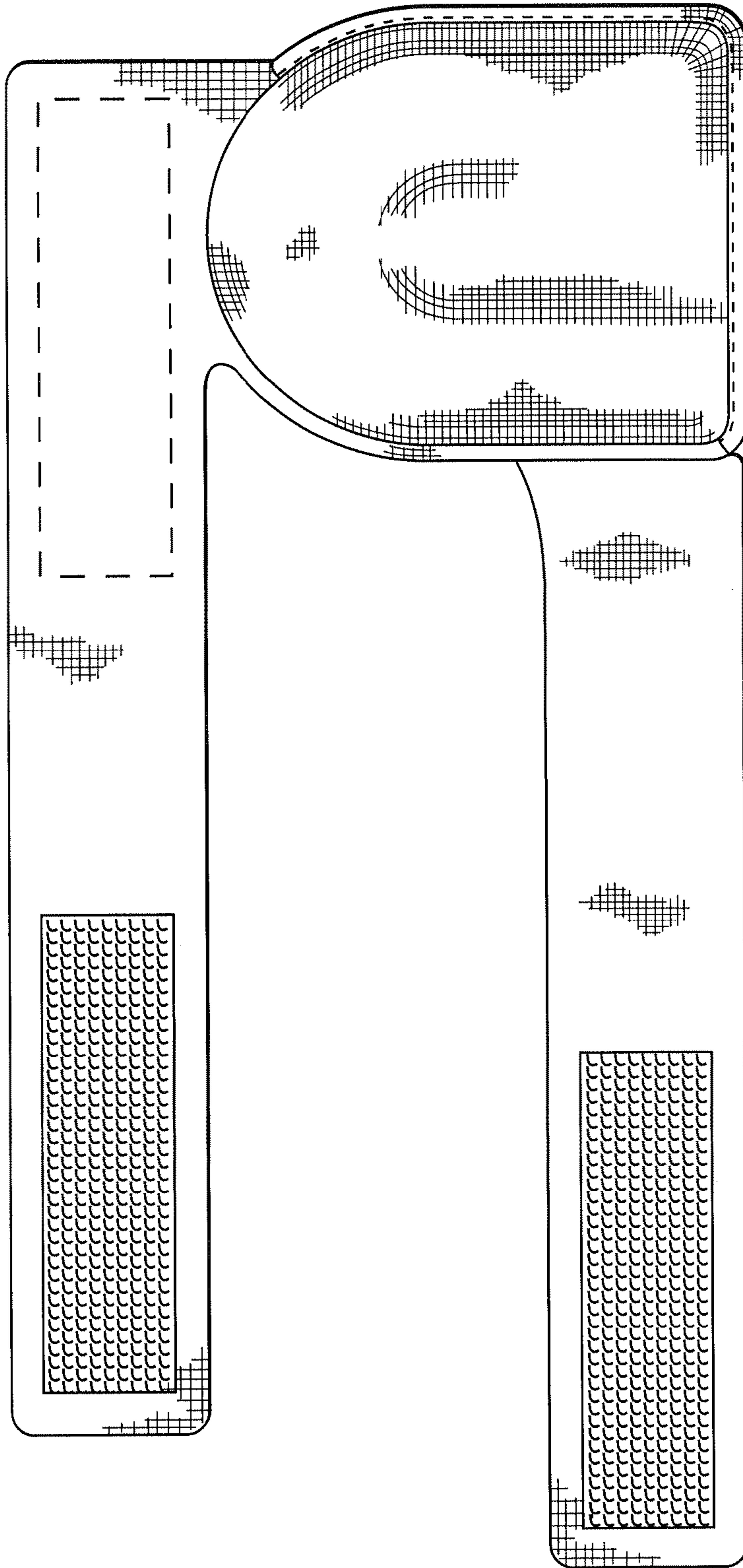


Fig. 7

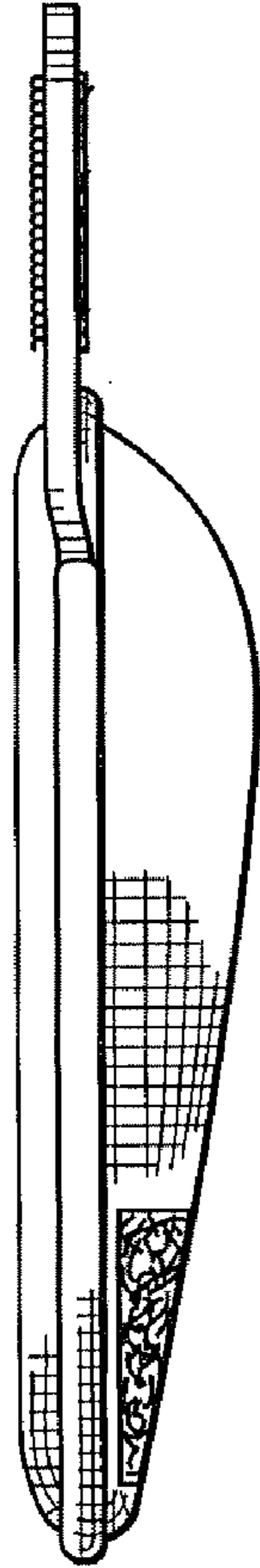


Fig. 8

