

US00D560025S

(12) **United States Design Patent**
Shulem

(10) **Patent No.:** **US D560,025 S**
(45) **Date of Patent:** **** Jan. 15, 2008**

(54) **LAMP BASE**

(75) Inventor: **Aviva Shulem**, New York, NY (US)

(73) Assignee: **Donghia, Inc.**, New York, NY (US)

(**) Term: **14 Years**

(21) Appl. No.: **29/267,685**

(22) Filed: **Oct. 18, 2006**

(51) **LOC (8) Cl.** **26-99**

(52) **U.S. Cl.** **D26/142**

(58) **Field of Classification Search** D26/142,
D26/93, 110, 40, 96, 153, 138; 362/410,
362/153, 296, 300, 311, 316, 382, 412, 414
See application file for complete search history.

(56) **References Cited**

U.S. PATENT DOCUMENTS

D271,429 S	*	11/1983	Andersen	D26/104
D280,444 S	*	9/1985	Boss	D26/110
D280,445 S	*	9/1985	Boss	D26/110
D280,937 S	*	10/1985	Sher	D26/110
D283,449 S	*	4/1986	Greenspan	D26/103
D328,156 S	*	7/1992	Bonander, Jr.	D26/21
D330,601 S	*	10/1992	Bonander, Jr.	D26/21
D365,292 S		12/1995	Laverick et al.	D10/78
D366,220 S		1/1996	Sakamoto	D10/65
D368,547 S	*	4/1996	Chen	D26/93
D382,365 S	*	8/1997	Hutton	D26/110
D385,648 S	*	10/1997	Hutton	D26/110
D389,947 S	*	1/1998	Hutton	D26/110
D409,927 S		5/1999	Wieggers et al.	D10/65
D410,297 S	*	5/1999	Huang	D26/110
D414,289 S	*	9/1999	Diaz-Azcuy	D26/110
D426,481 S		6/2000	Laverick	D10/103
D427,919 S		7/2000	Laverick et al.	D10/65
D440,505 S		4/2001	Laverick	D10/65
D453,300 S		2/2002	Schoenfish et al.	D10/65
D453,481 S		2/2002	Schoenfish	D10/74
D455,665 S		4/2002	Schoenfish et al.	D10/74
D456,289 S		4/2002	Laverick	D10/65

(Continued)

OTHER PUBLICATIONS

Ceramic Lamp, Circa 1910-1930 (www.fulper.net).
Murano Trading Glass Vase, Italy 2004 (JH).

Primary Examiner—Freda S. Nunn
Assistant Examiner—Kevin K Rudzinski

(74) *Attorney, Agent, or Firm*—Heslin Rothenberg Farley & Mesiti P.C.

(57) **CLAIM**

The ornamental design for a lamp base, as shown and described.

DESCRIPTION

FIG. 1 is a perspective view of a lamp base comprising the new design;

FIG. 2 is a top plan view thereof;

FIG. 3 is a front view thereof;

FIG. 4 is a front view of a second embodiment of a lamp base comprising the new design, shown having indeterminate height;

FIG. 5 is a front view of a third embodiment of a lamp base comprising the new design, shown having an opaque surface;

FIG. 6 is a perspective view of a fourth embodiment of a lamp base comprising the new design;

FIG. 7 is a top plan view thereof;

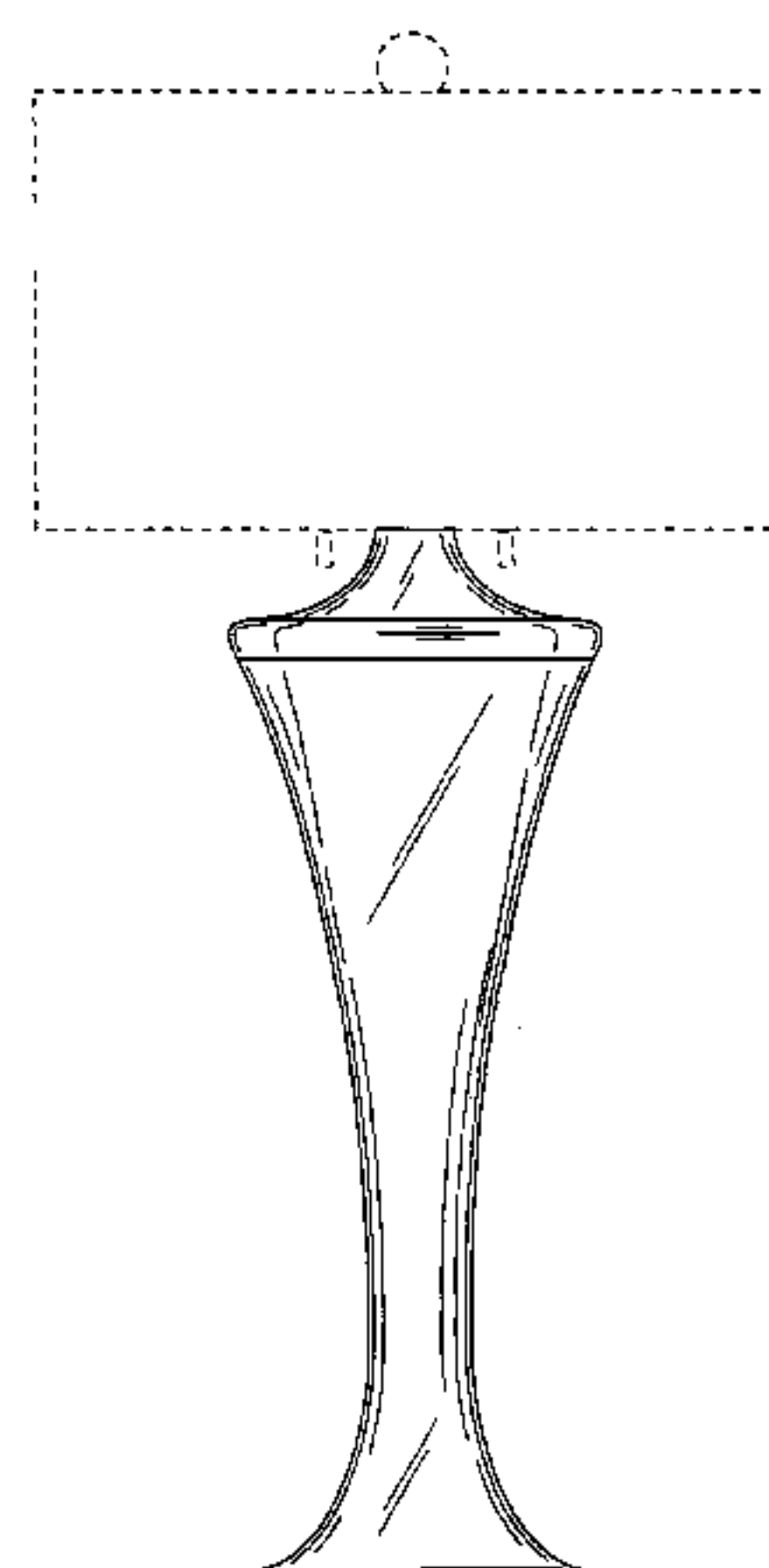
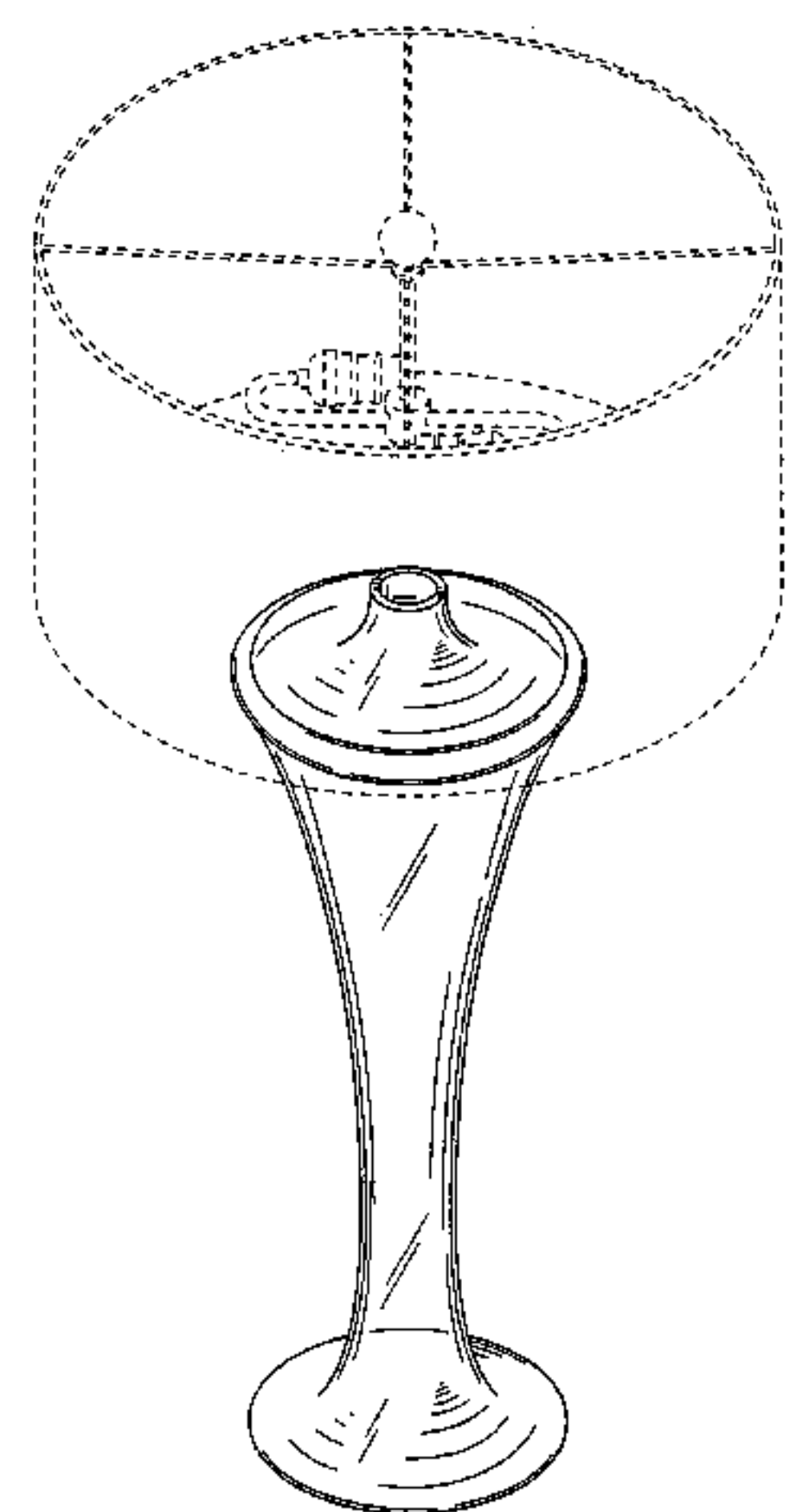
FIG. 8 is a front view thereof;

FIG. 9 is a front view of a fifth embodiment of a lamp base comprising the new design, shown having indeterminate height; and,

FIG. 10 is a front view of a sixth embodiment of a lamp base comprising the new design, shown having an opaque surface.

The broken lines in the figures are for illustrative purposes only and form no part of the claimed invention.

1 Claim, 10 Drawing Sheets



US D560,025 S

Page 2

U.S. PATENT DOCUMENTS

D456,794 S	5/2002	Laverick et al.	D14/138	6,912,463 B2	6/2005	Miwa	701/213
D457,445 S	5/2002	Schoenfish	D10/65	D506,937 S	7/2005	Lee et al.	D10/65
6,418,309 B1	7/2002	Moon et al.	455/418	D508,213 S	8/2005	Silzer et al.	D10/65
6,501,429 B2	12/2002	Nakamura et al.	343/702	D509,760 S	9/2005	Burrell et al.	D10/65
D469,367 S	1/2003	Mirabelli et al.	D10/65	6,977,617 B2	12/2005	Asano et al.	343/702
D477,597 S	7/2003	Laverick et al.	D14/346	D515,441 S	2/2006	Shindo	D10/65
D486,083 S	2/2004	Laverick et al.	D10/65	D517,932 S	3/2006	Lum	D10/65
6,781,551 B2	8/2004	Gerber	343/702	7,054,670 B2	5/2006	Wang et al.	455/566
6,876,871 B2	4/2005	Hirayama et al.	455/566				

* cited by examiner

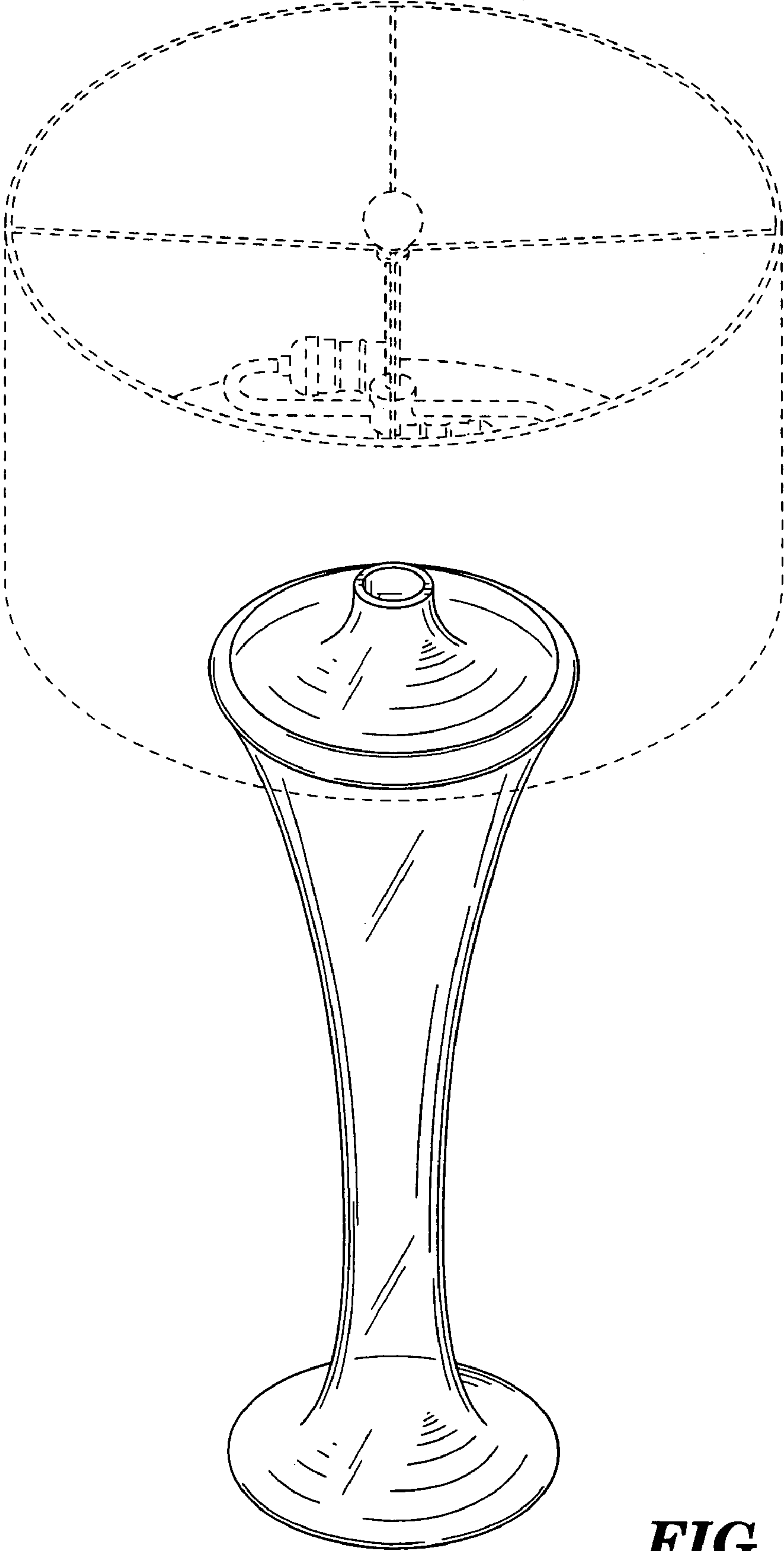


FIG. 1

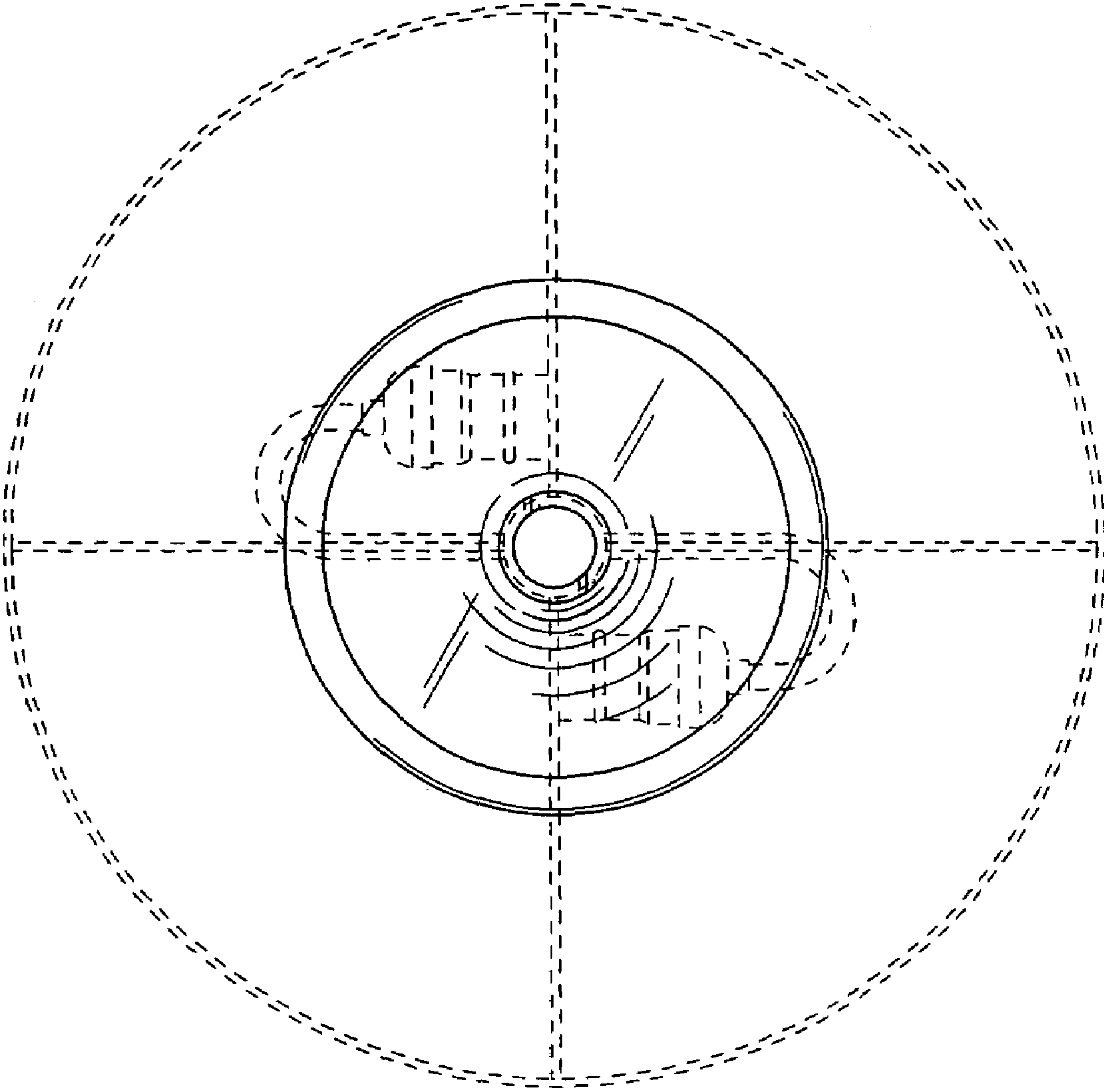


FIG. 2

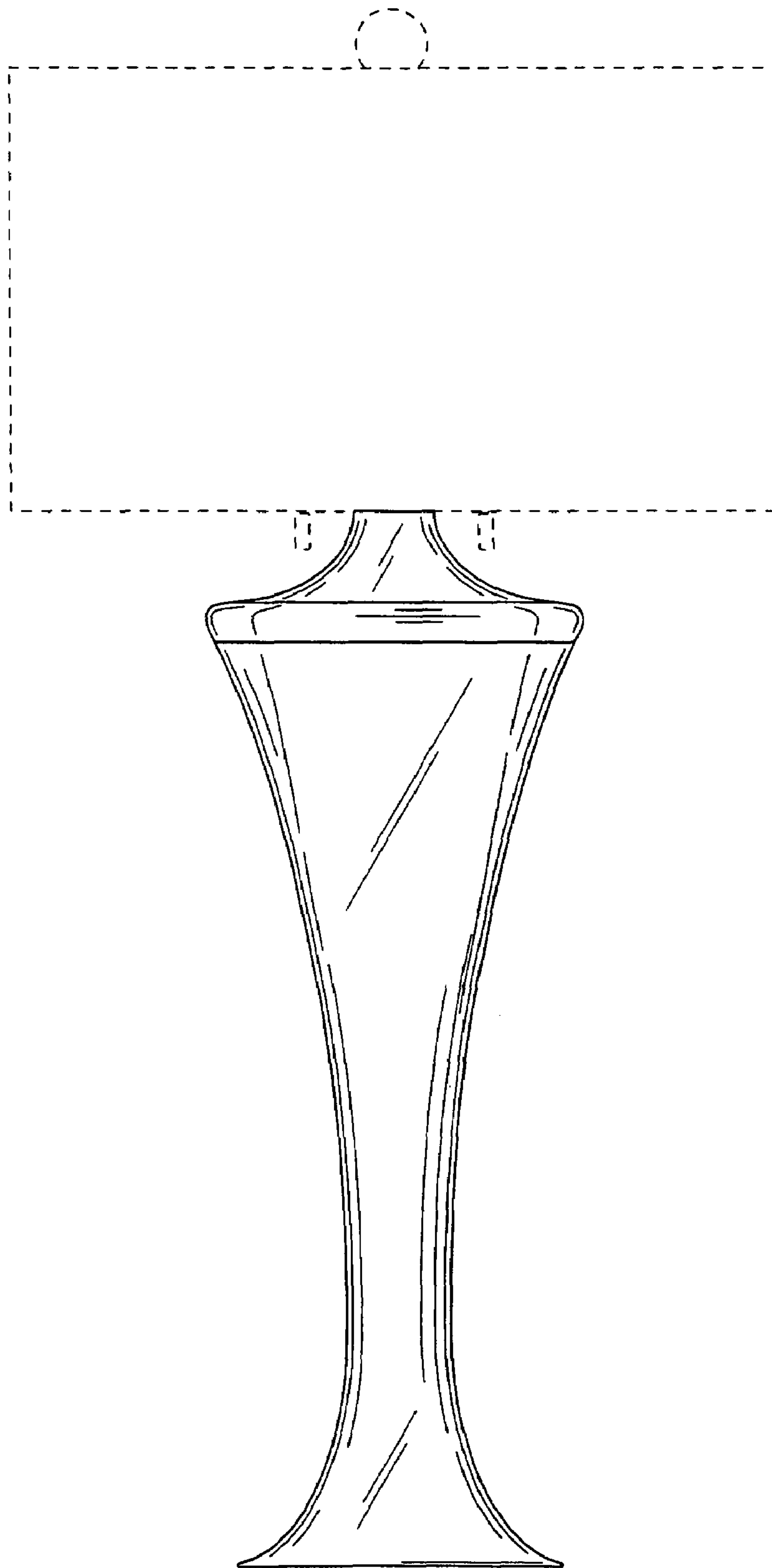


FIG. 3

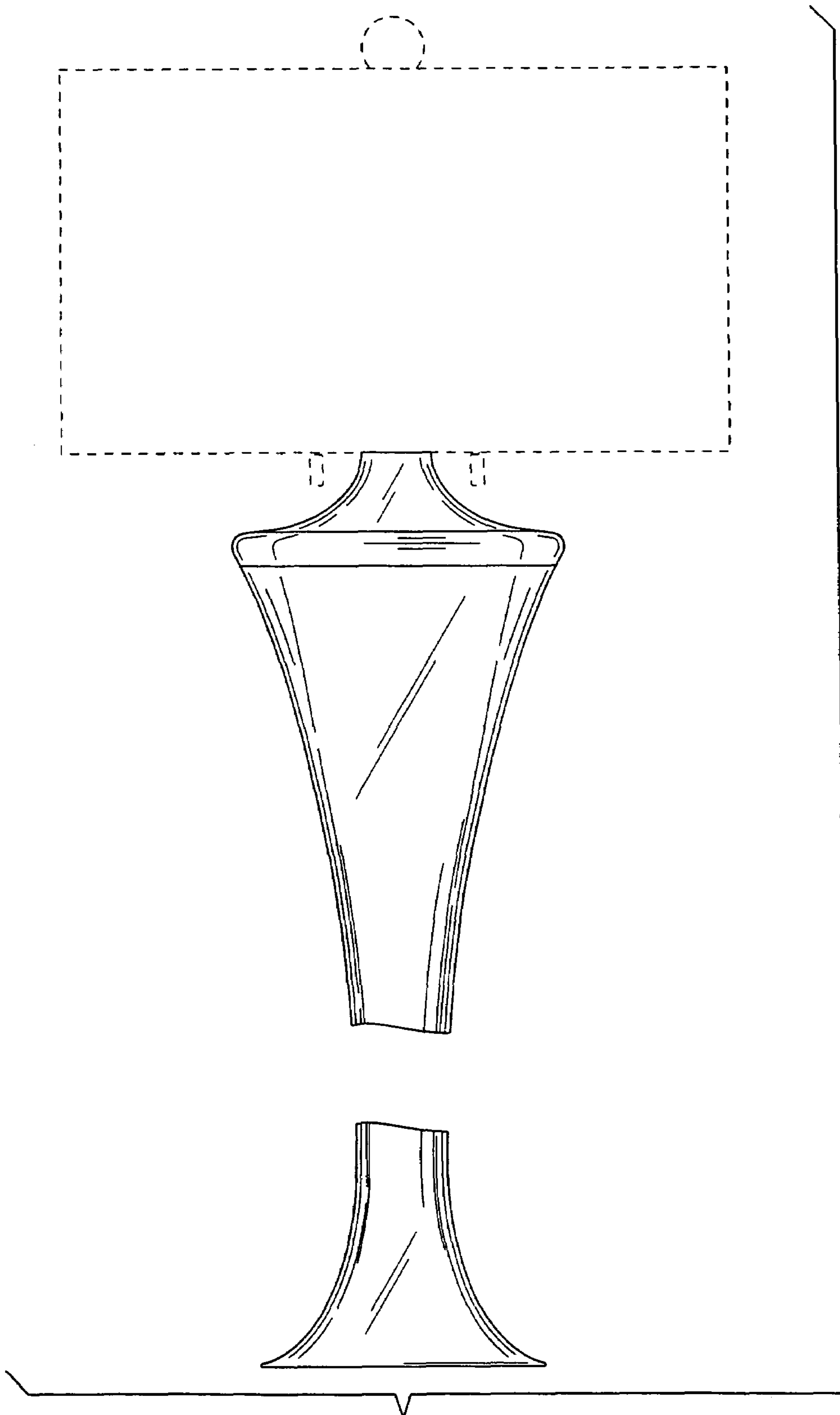


FIG. 4

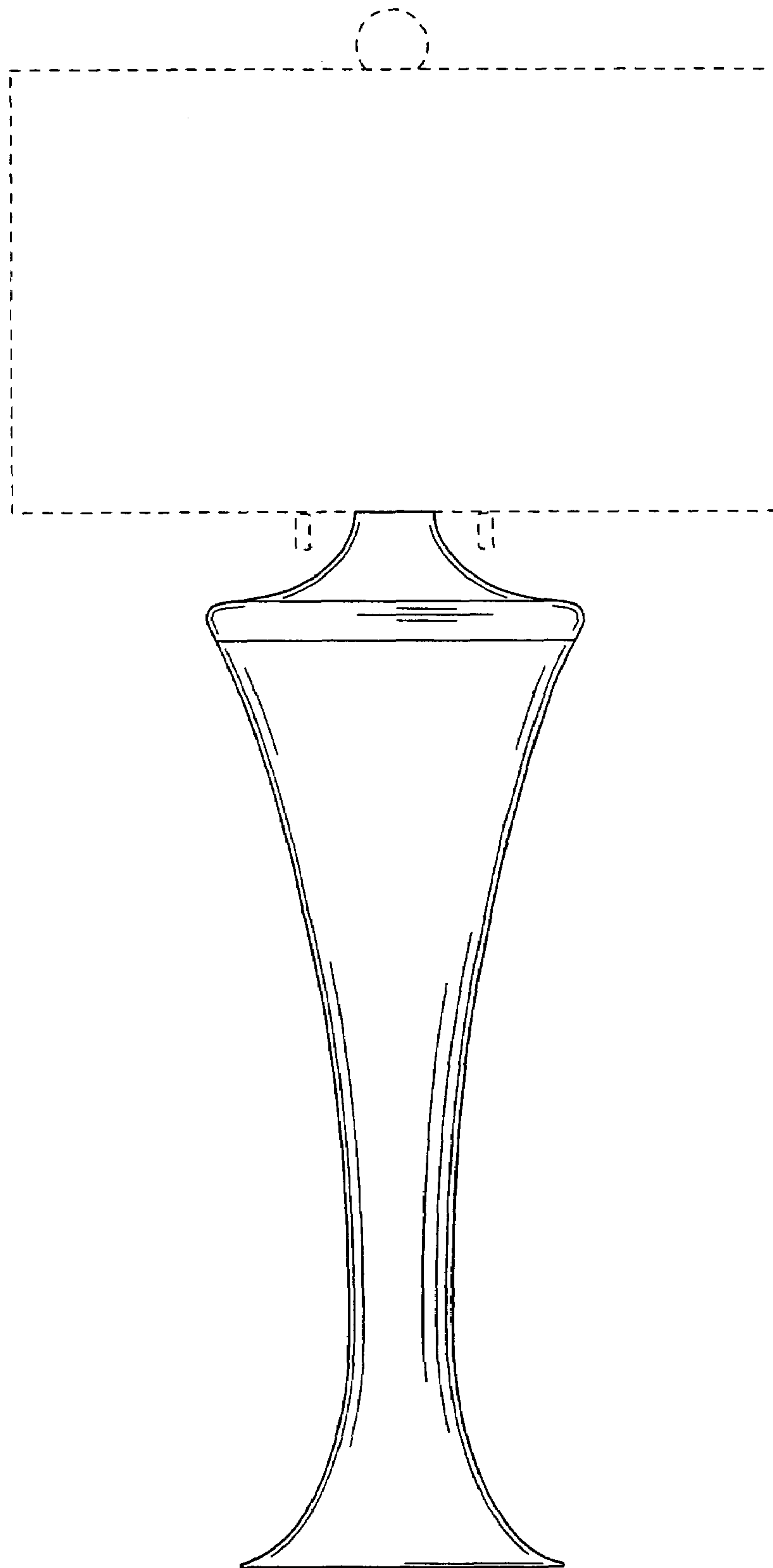


FIG. 5

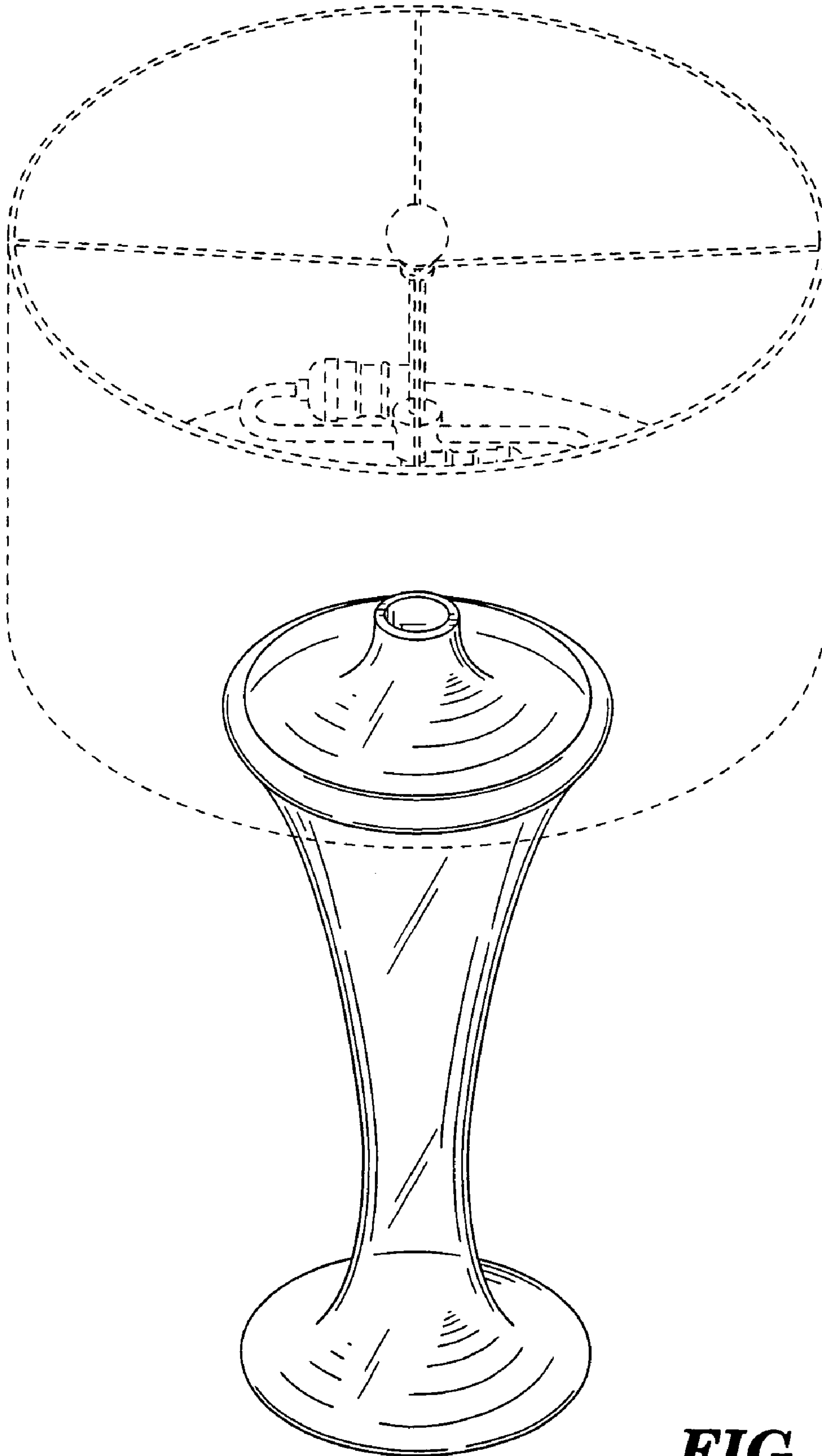


FIG. 6

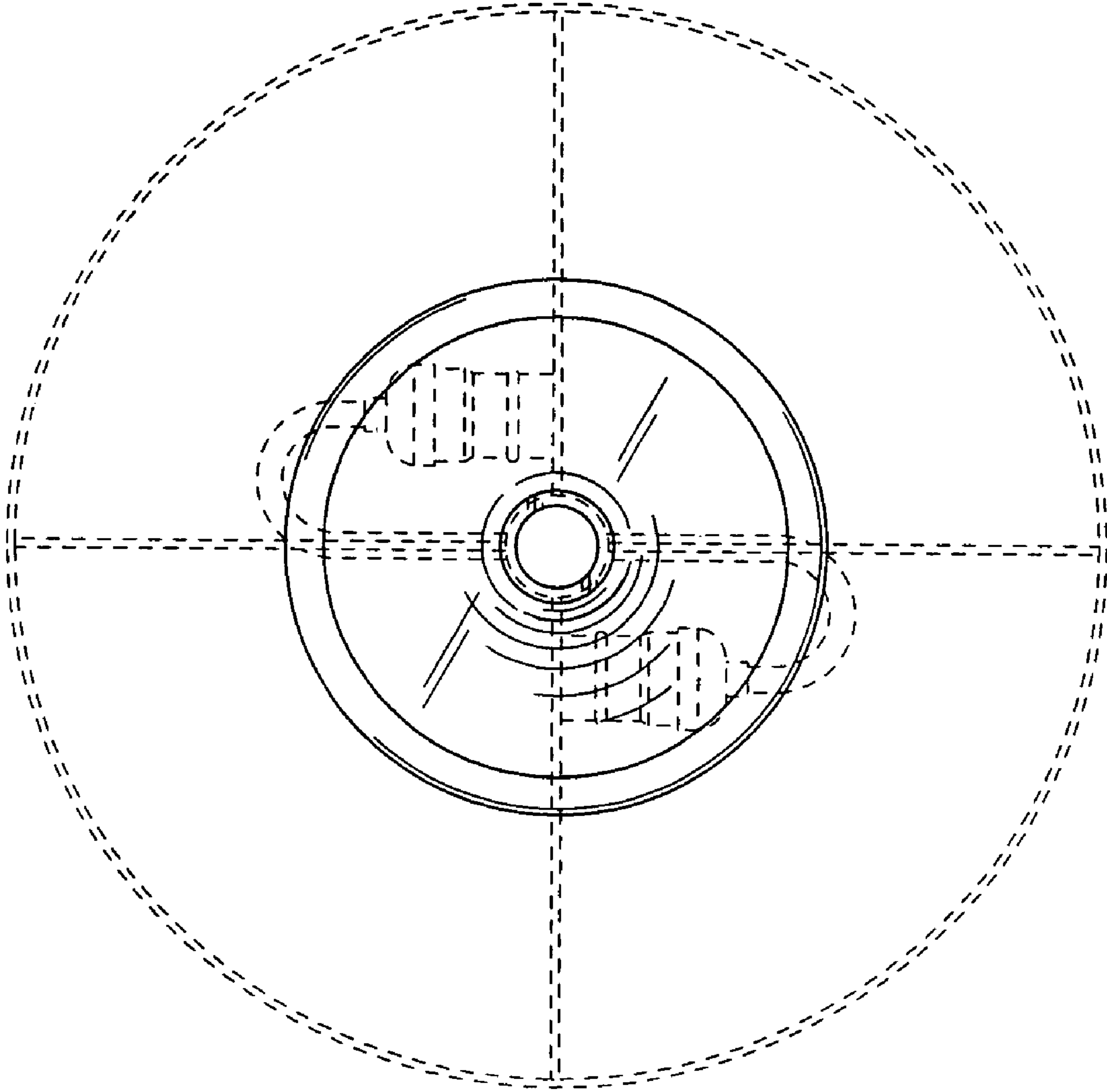


FIG. 7

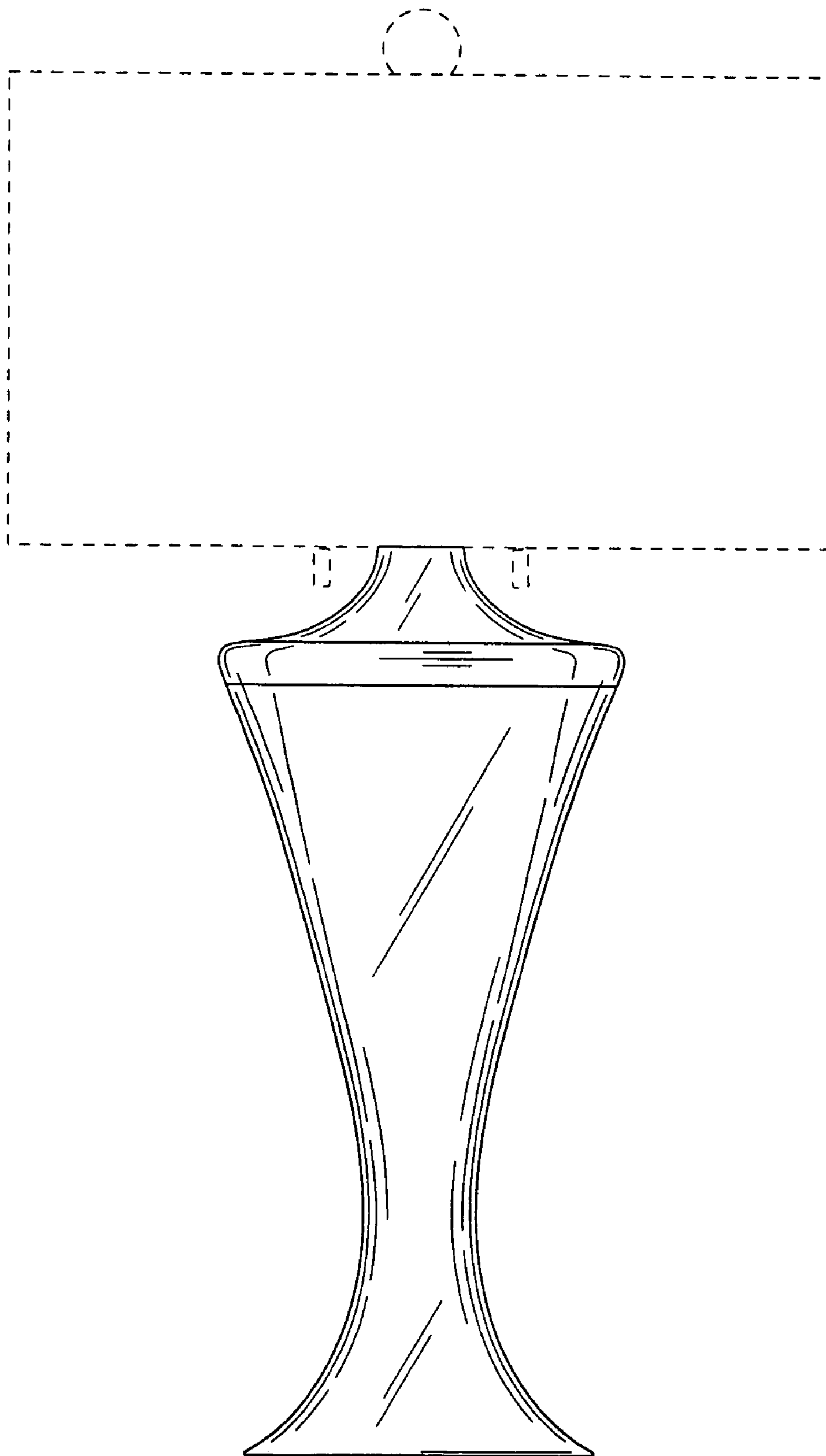


FIG. 8

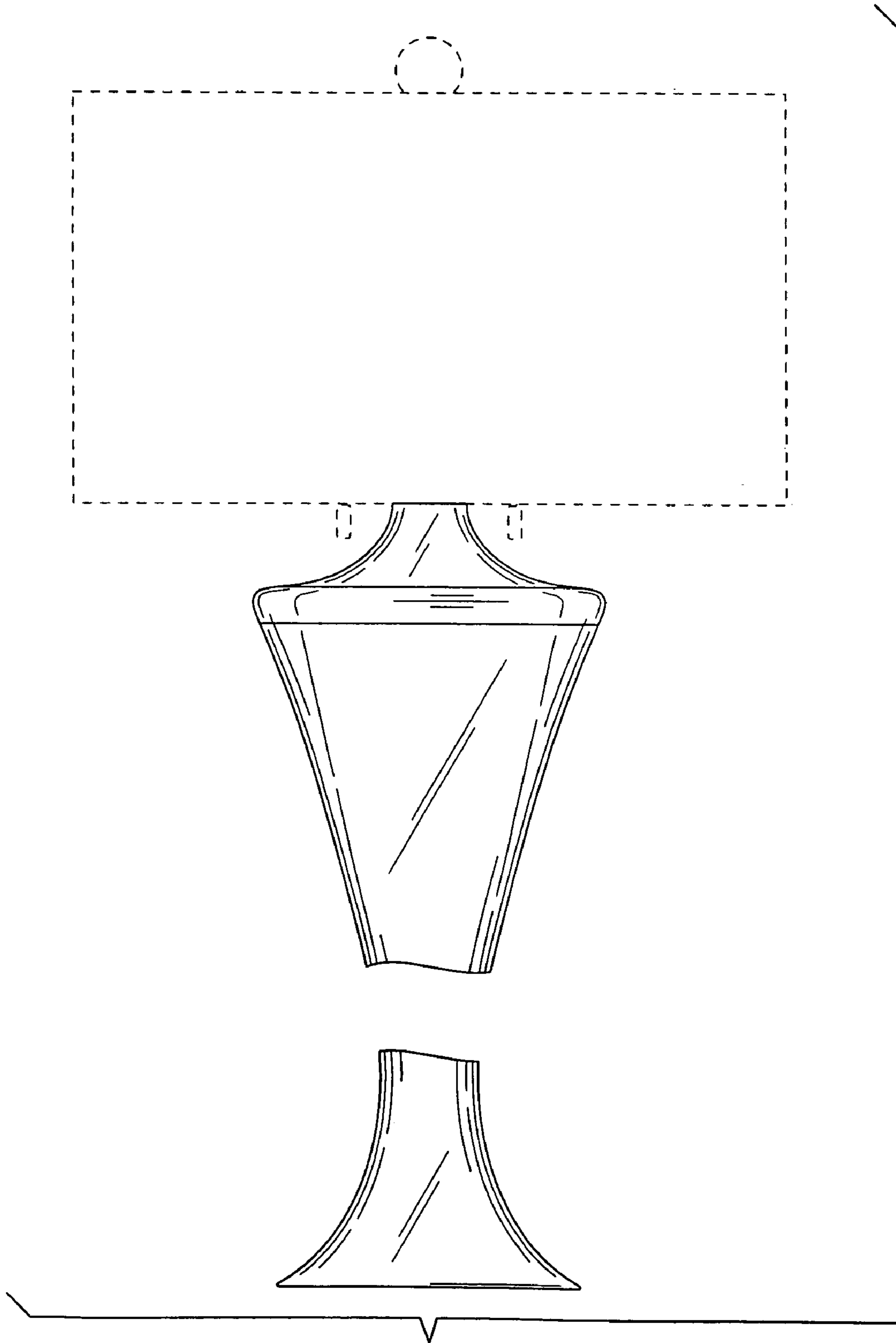


FIG. 9

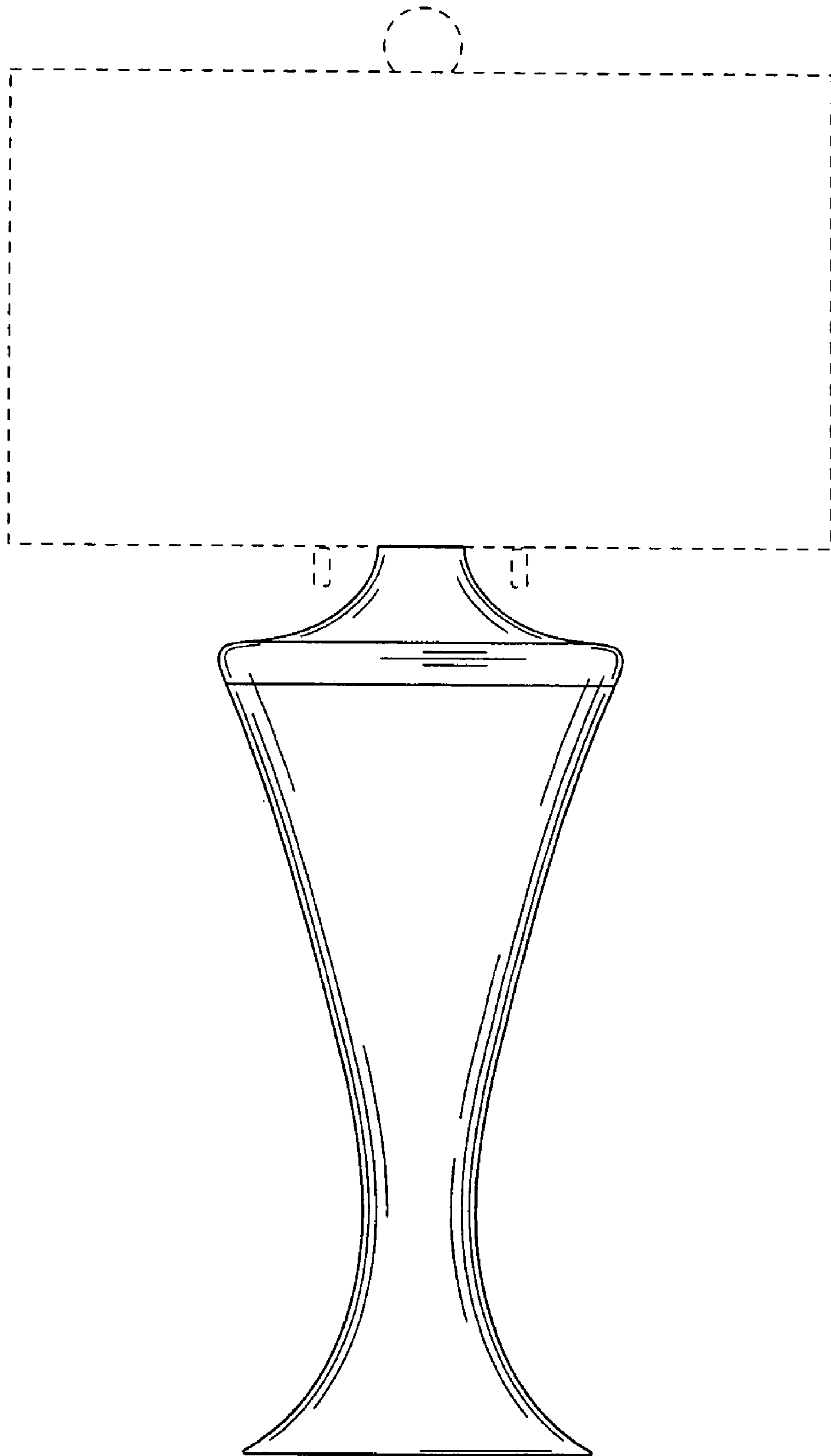


FIG. 10