



US00D560023S

(12) **United States Design Patent**
Kitagawa et al.

(10) **Patent No.:** **US D560,023 S**
(45) **Date of Patent:** **** Jan. 15, 2008**

(54) **BASE FOR FLUORESCENT LAMP**

5,331,734 A * 7/1994 Hunt 29/874
5,551,643 A * 9/1996 Chapin 241/99

(75) Inventors: **Hiroki Kitagawa**, Kadoma (JP); **Shiro Iida**, Kadoma (JP)

(Continued)

(73) Assignee: **Matsushita Electric Industrial Co., Ltd.**, Osaka (JP)

FOREIGN PATENT DOCUMENTS

JP D600082 5/1983
JP D 1031414 2/1999

(**) Term: **14 Years**

OTHER PUBLICATIONS

(21) Appl. No.: **29/285,315**

Kitagawa et al., U.S. Design Application entitled "Fluorescent Lamp," U.S. Appl. No. 29/286,897, filed May 22, 2007.
Kitagawa et al., U.S. Design Application entitled "Fluorescent Lamp," U.S. Appl. No. 29/286,924, filed May 22, 2007.
Kitagawa et al., U.S. Design Application entitled "Fluorescent Lamp," U.S. Appl. No. 29/286,968, filed May 24, 2007.

(22) Filed: **Mar. 27, 2007**

(30) **Foreign Application Priority Data**

Sep. 27, 2006 (JP) 2006-025930

Primary Examiner—Freda S. Nunn

Assistant Examiner—Kevin K. Rudzinski

(51) **LOC (8) Cl.** **26-99**

(52) **U.S. Cl.** **D26/138**

(58) **Field of Classification Search** D26/1,
D26/2, 3, 26, 42, 72, 79, 113, 114, 118, 124,
D26/128, 131, 134, 138, 140, 141, 142, 143,
D26/152, 153; D13/136; 313/315; 362/373,
362/222, 217, 260, 247, 296, 341, 344, 347,
362/609, 614, 581, 516, 649

(74) *Attorney, Agent, or Firm*—Brinks Hofer Gilson & Lione

See application file for complete search history.

(57) **CLAIM**

We claim the ornamental design for a base for fluorescent lamp, as shown and described.

(56) **References Cited**

DESCRIPTION

U.S. PATENT DOCUMENTS

2,153,366 A * 4/1939 Darley 439/239
2,227,739 A * 1/1941 Polland 362/217
2,283,454 A * 5/1942 Osterloo 439/233
2,311,877 A * 2/1943 Schelgunov 439/231
2,488,677 A * 11/1949 McCann 439/243
2,499,677 A * 3/1950 Pearce 337/23
D210,289 S * 2/1968 Tecton D26/3
D214,911 S * 8/1969 Morgan D26/1
3,587,167 A * 6/1971 Levin 29/592.1
3,976,986 A * 8/1976 Zabroski 340/656
4,642,741 A * 2/1987 Cohn 362/320
4,695,768 A * 9/1987 Covington et al. 315/73
4,906,891 A * 3/1990 Takagi et al. 313/318.02
5,079,678 A * 1/1992 Parker 362/84

FIG. 1 is a top perspective view of a base for fluorescent lamp of the present invention;

FIG. 2 is a front view thereof;

FIG. 3 is a rear view thereof;

FIG. 4 is a first side view thereof;

FIG. 5 is a second side view thereof;

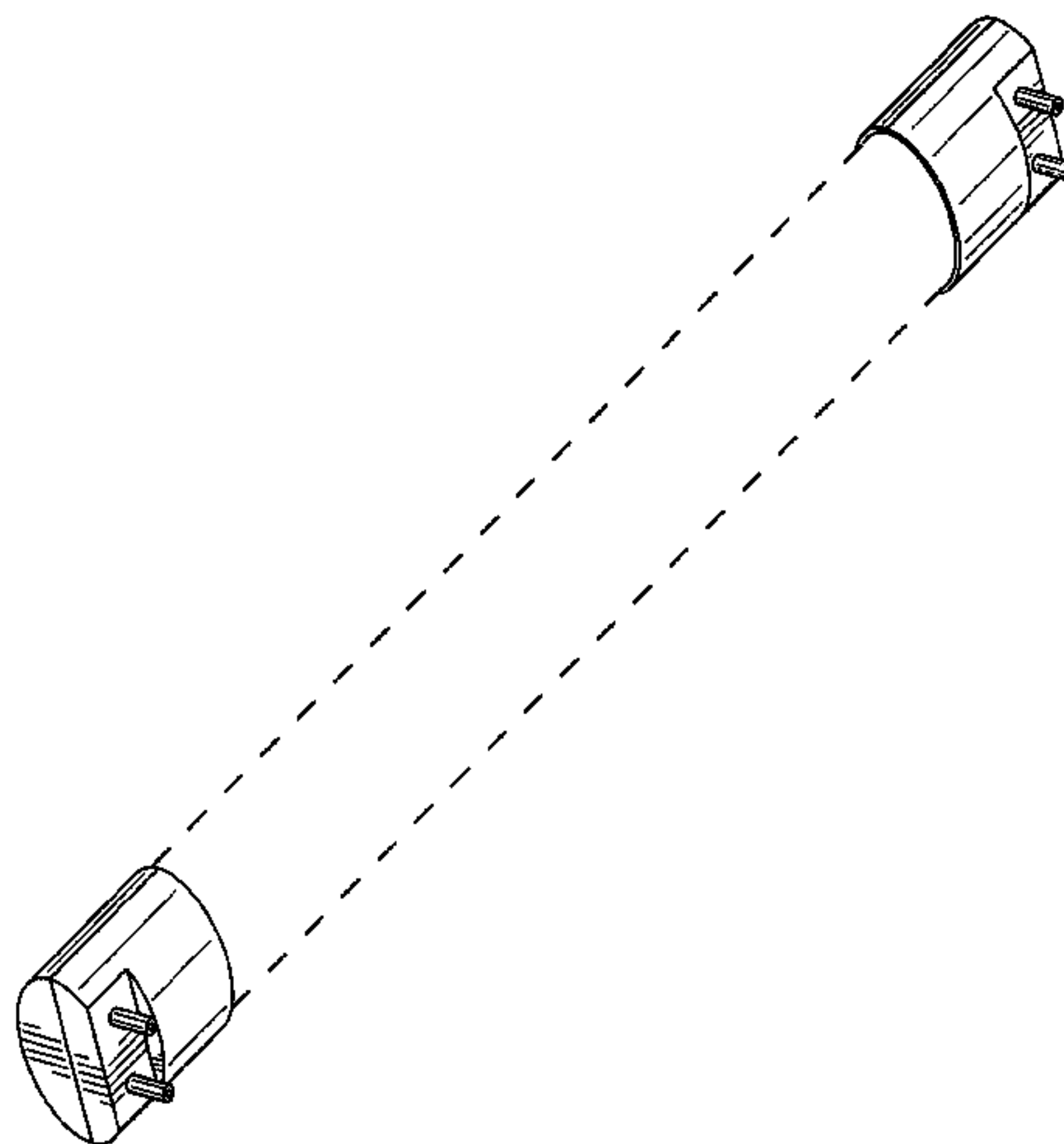
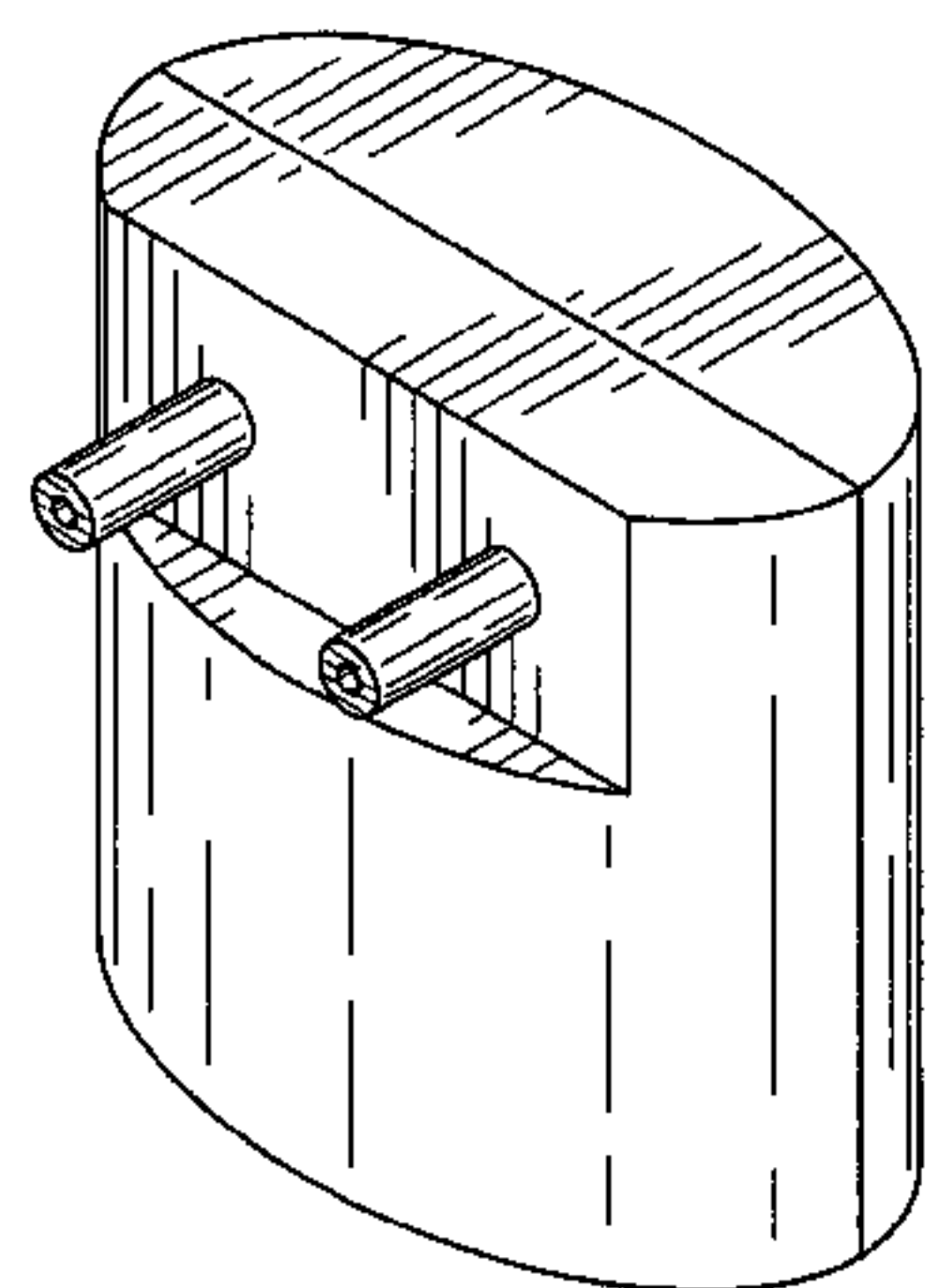
FIG. 6 is a top view thereof;

FIG. 7 is a bottom view thereof; and,

FIG. 8 is a perspective view of a second embodiment thereof shown in an environmental use.

The broken lines in the drawings are for illustrative purposes only and form no part of the claimed design.

1 Claim, 8 Drawing Sheets



US D560,023 S

Page 2

U.S. PATENT DOCUMENTS

5,768,663	A *	6/1998	Lin	399/220	D481,471	S *	10/2003	Farmer	D26/3
D397,811	S *	9/1998	Vakil	D26/3	6,726,496	B1 *	4/2004	Reich et al.	439/227
5,864,461	A *	1/1999	Cho	361/674	D506,274	S	6/2005	Moriyama et al.		
5,904,415	A *	5/1999	Robertson et al.	362/260	D521,451	S *	5/2006	Wiskerke	D13/134
D436,078	S *	1/2001	Korte	D13/134	D528,229	S *	9/2006	Kakuno et al.	D26/2
D465,038	S	10/2002	Bragg et al.			D530,837	S	10/2006	Loughrey et al.		

* cited by examiner

FIG. 1

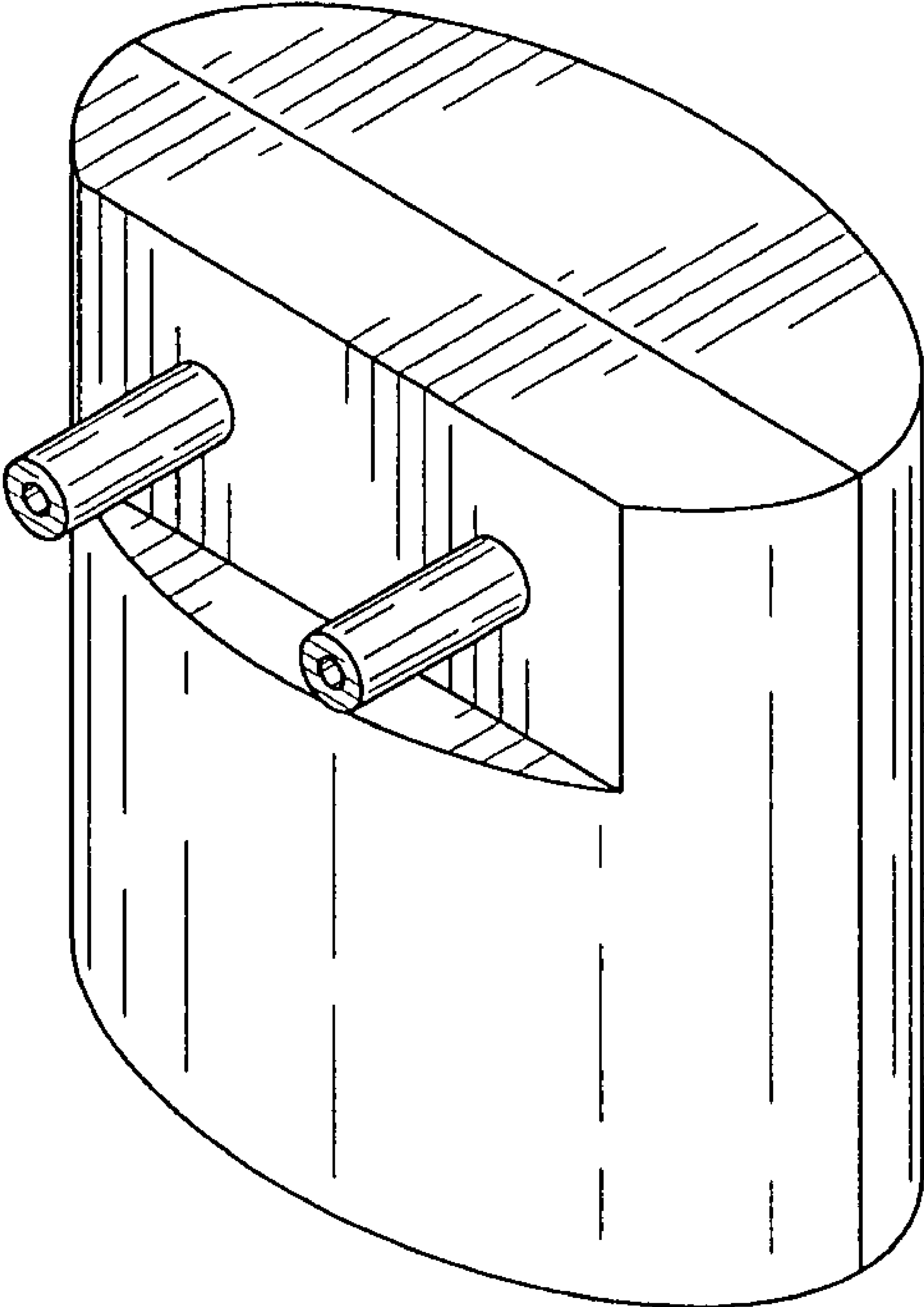


FIG. 2

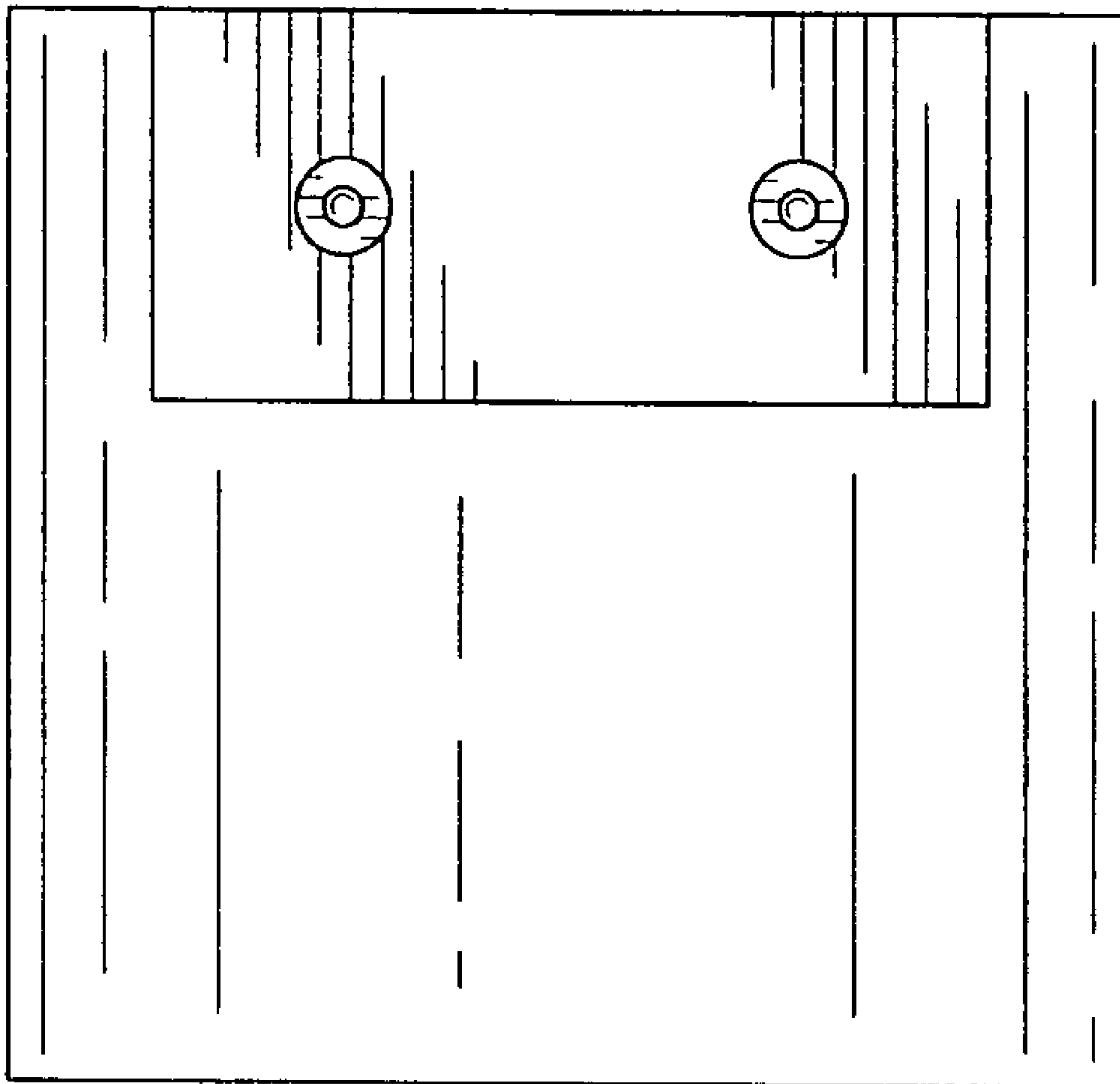


FIG. 3

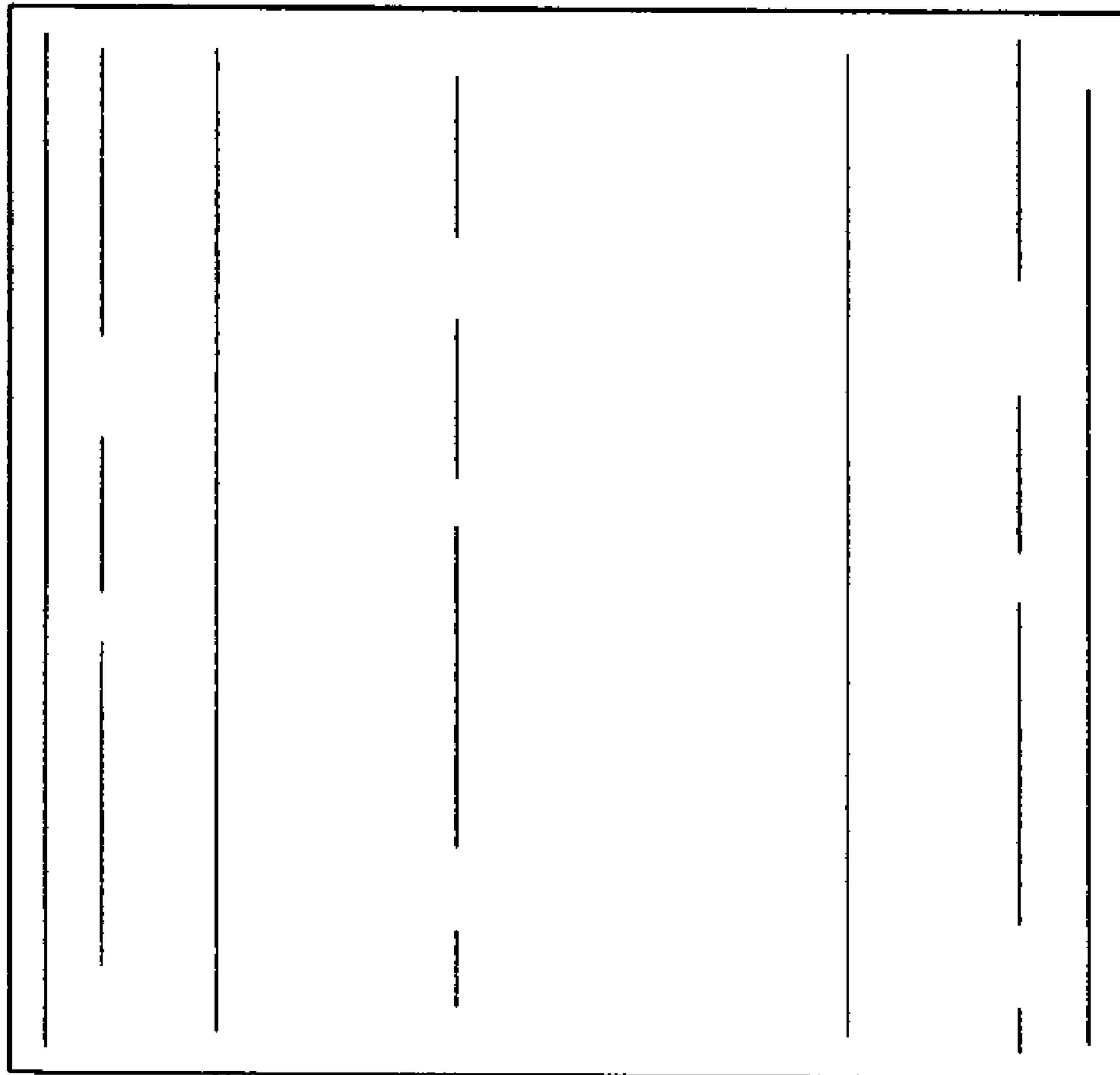


FIG. 4

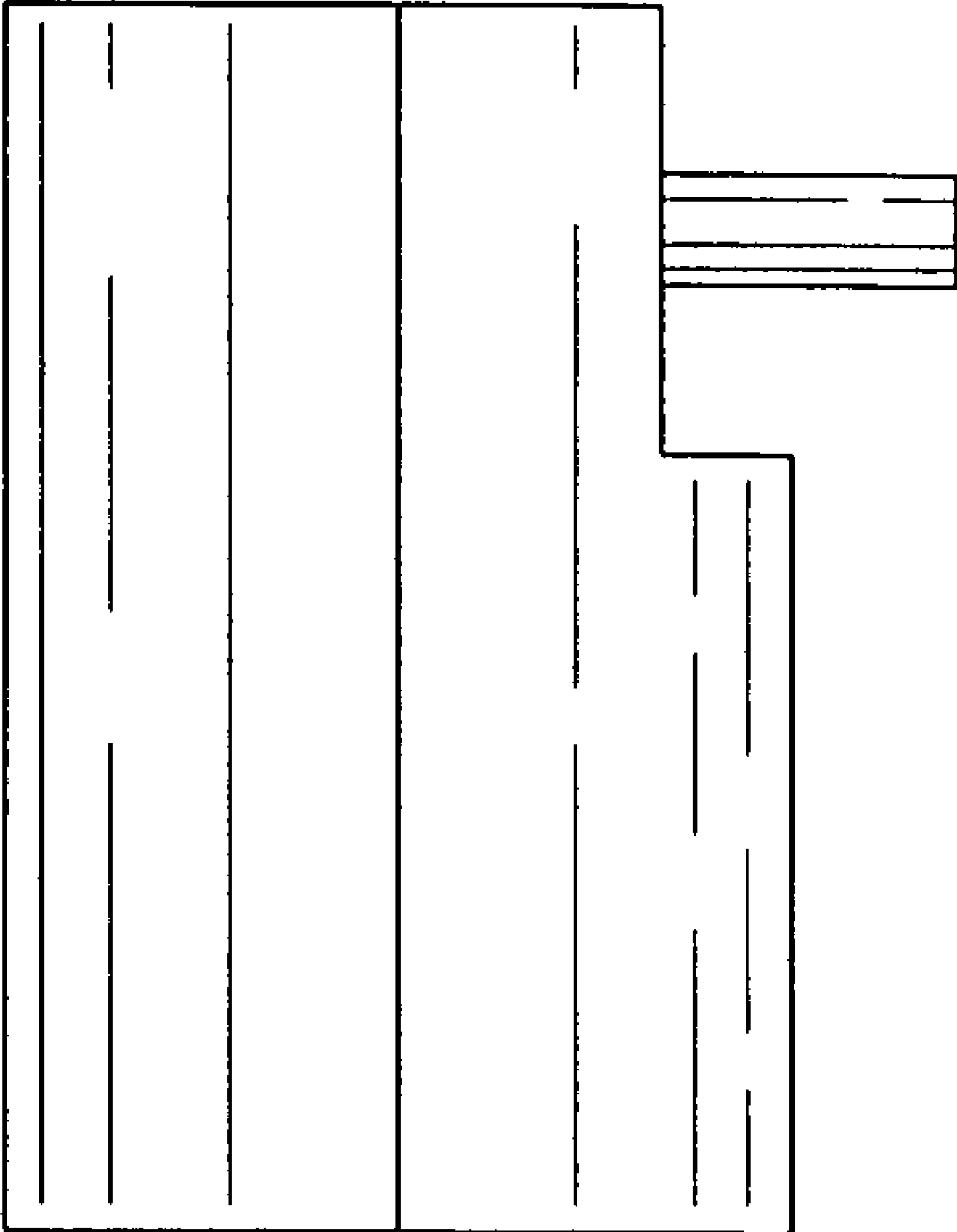


FIG. 5

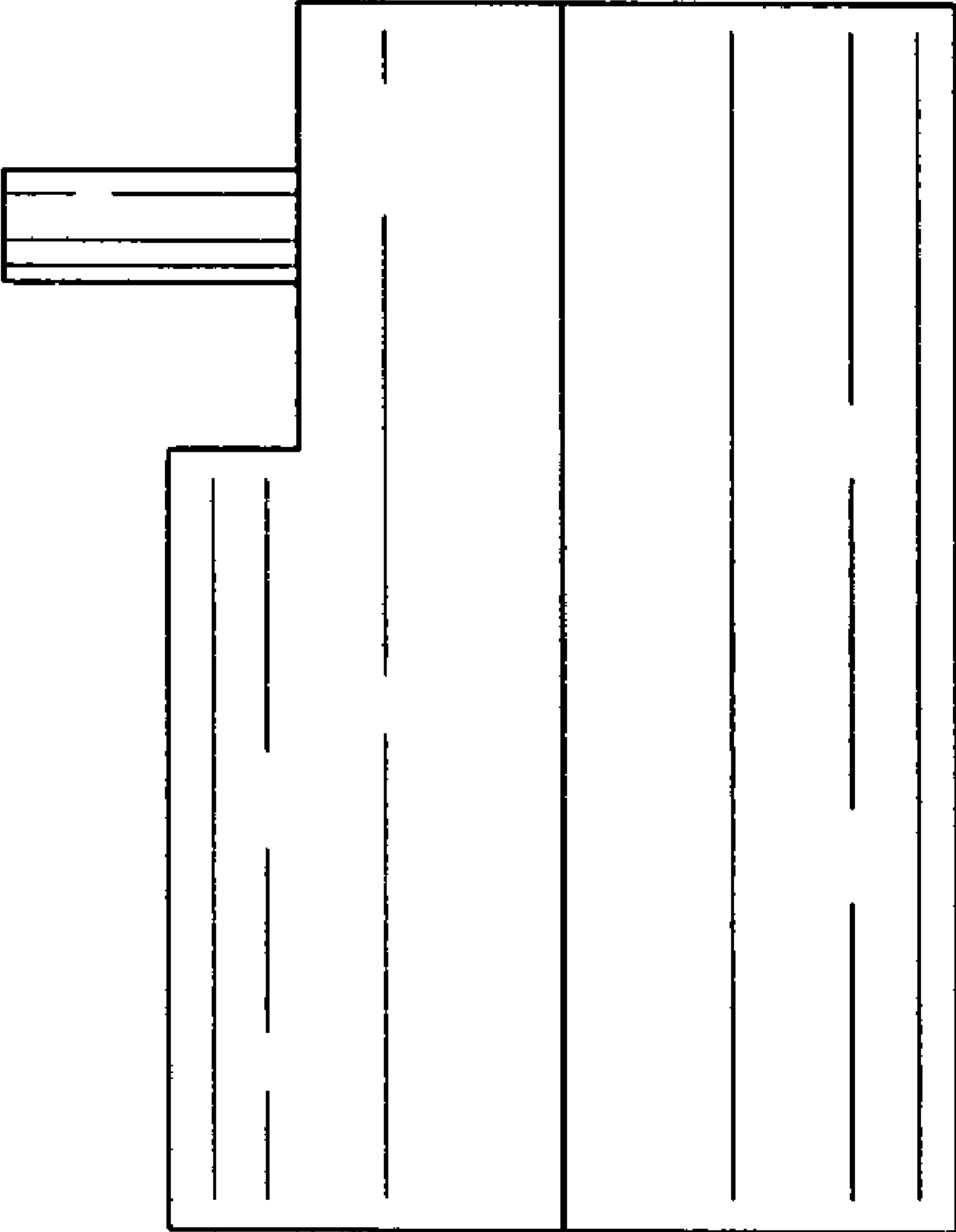


FIG. 6

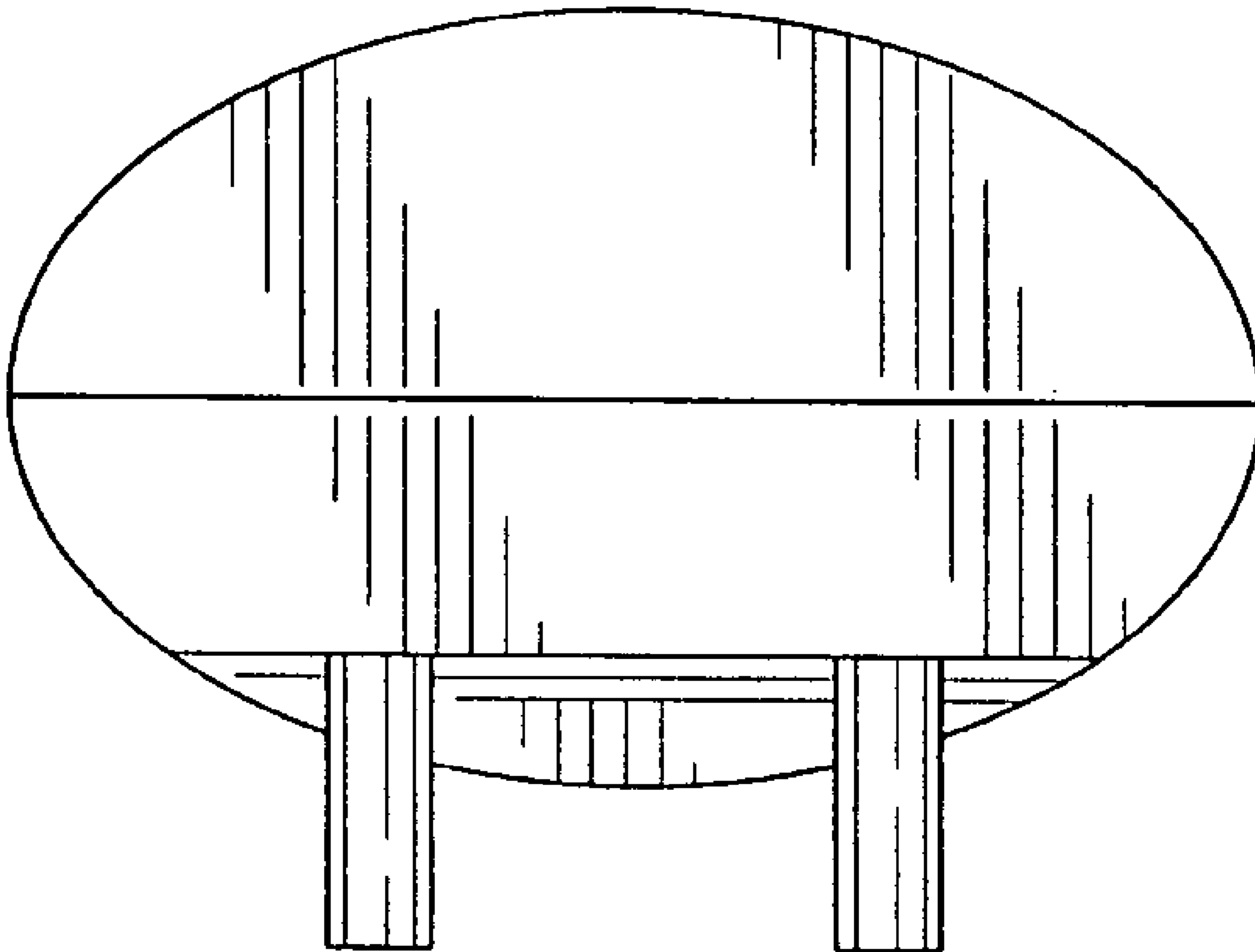
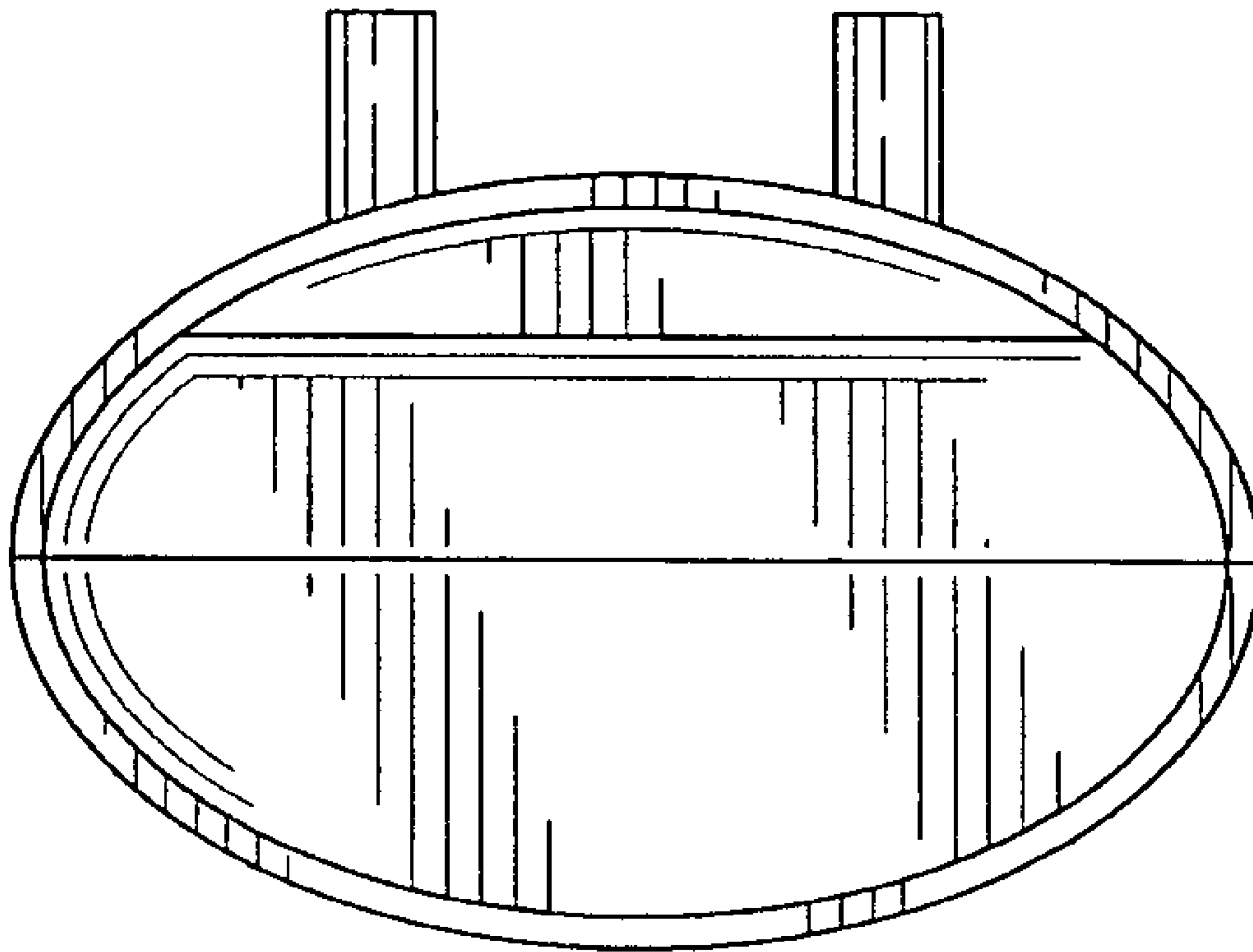


FIG. 7



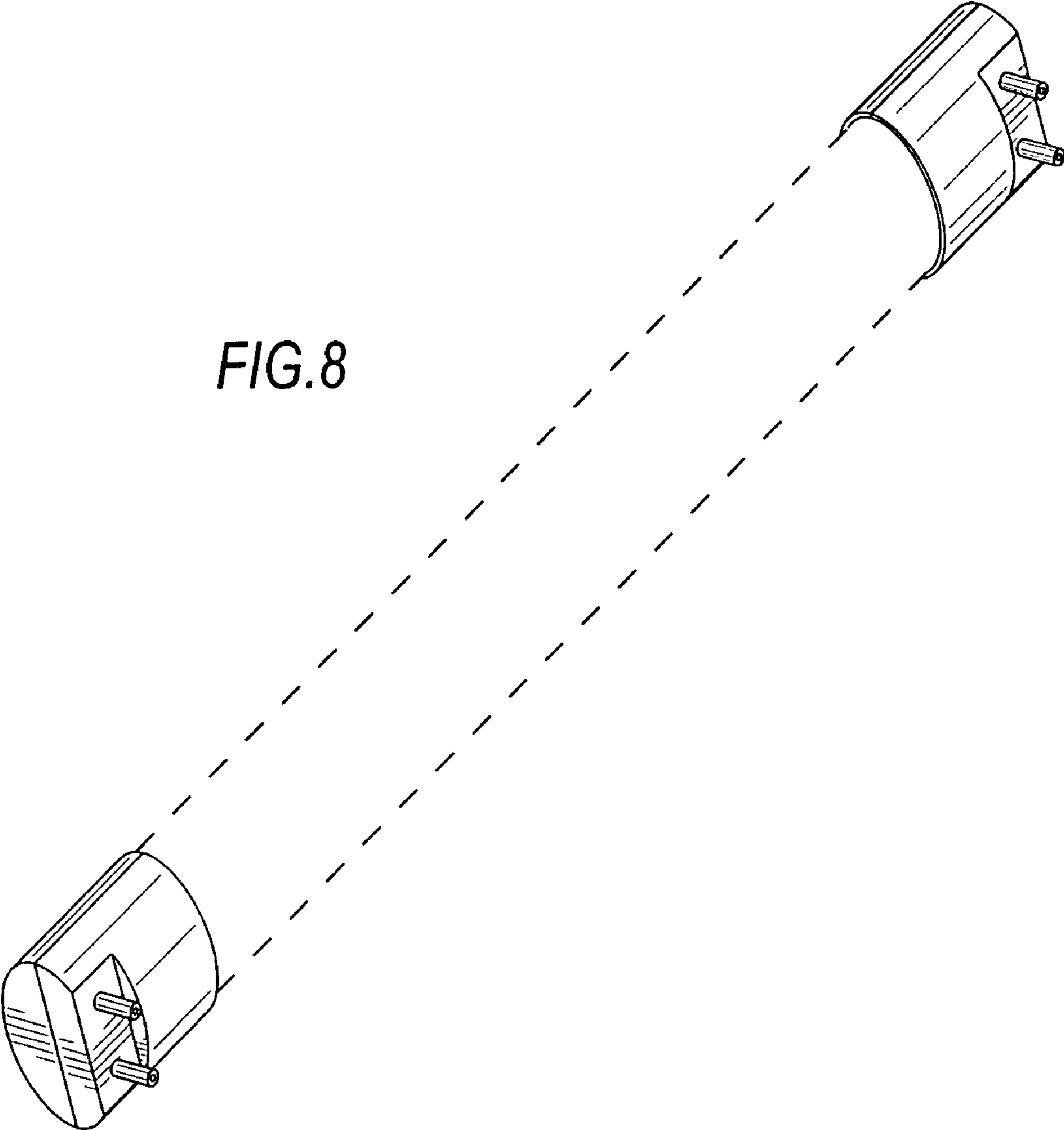


FIG. 8