



US00D560022S

(12) **United States Design Patent**
Niece

(10) **Patent No.:** **US D560,022 S**
(45) **Date of Patent:** **** Jan. 15, 2008**

(54) **MOUNTING BRACKET FOR BICYCLE SAFETY LIGHTS**

2002/0093825 A1* 7/2002 Bailey 362/473

(76) Inventor: **Edward J. Niece**, 28613 NW. 38th Ct.,
Ridgefield, WA (US) 98642

* cited by examiner

(**) Term: **14 Years**

Primary Examiner—Freda S. Nunn

Assistant Examiner—Kevin K Rudzinski

(21) Appl. No.: **29/262,434**

(74) *Attorney, Agent, or Firm*—Kurt M. Rylander; Mark E. Beatty; Rylander & Associates PC

(22) Filed: **Jun. 30, 2006**

(57) **CLAIM**

(51) **LOC (8) Cl.** **26-99**

The ornamental design for a mounting bracket for bicycle safety lights, as shown and described.

(52) **U.S. Cl.** **D26/138**

(58) **Field of Classification Search** D26/67,
D26/34, 138, 140, 142, 118, 72, 85, 86, 87,
D26/84, 75, 76, 144; 248/230.5, 156; 362/373,
362/477, 473, 231; D10/104; D8/373, 354;
D6/579; D13/180

DESCRIPTION

See application file for complete search history.

FIG. 1 is a perspective view of a mounting bracket bicycle safety lights showing my design;

FIG. 2 is a front elevation view thereof;

FIG. 3 is a rear elevation view thereof;

FIG. 4 is a side elevation view thereof;

FIG. 5 is another side elevation view thereof;

FIG. 6 is a top plan view thereof;

FIG. 7 is a bottom plan view thereof;

FIG. 8 is a perspective view of a second embodiment of a mounting bracket bicycle safety lights showing my design;

FIG. 9 is a front elevation view thereof;

FIG. 10 is a rear elevation view thereof;

FIG. 11 is a side elevation view thereof;

FIG. 12 is a side elevation view thereof;

FIG. 13 is a top plan view thereof;

FIG. 14 is a bottom plan view thereof; and,

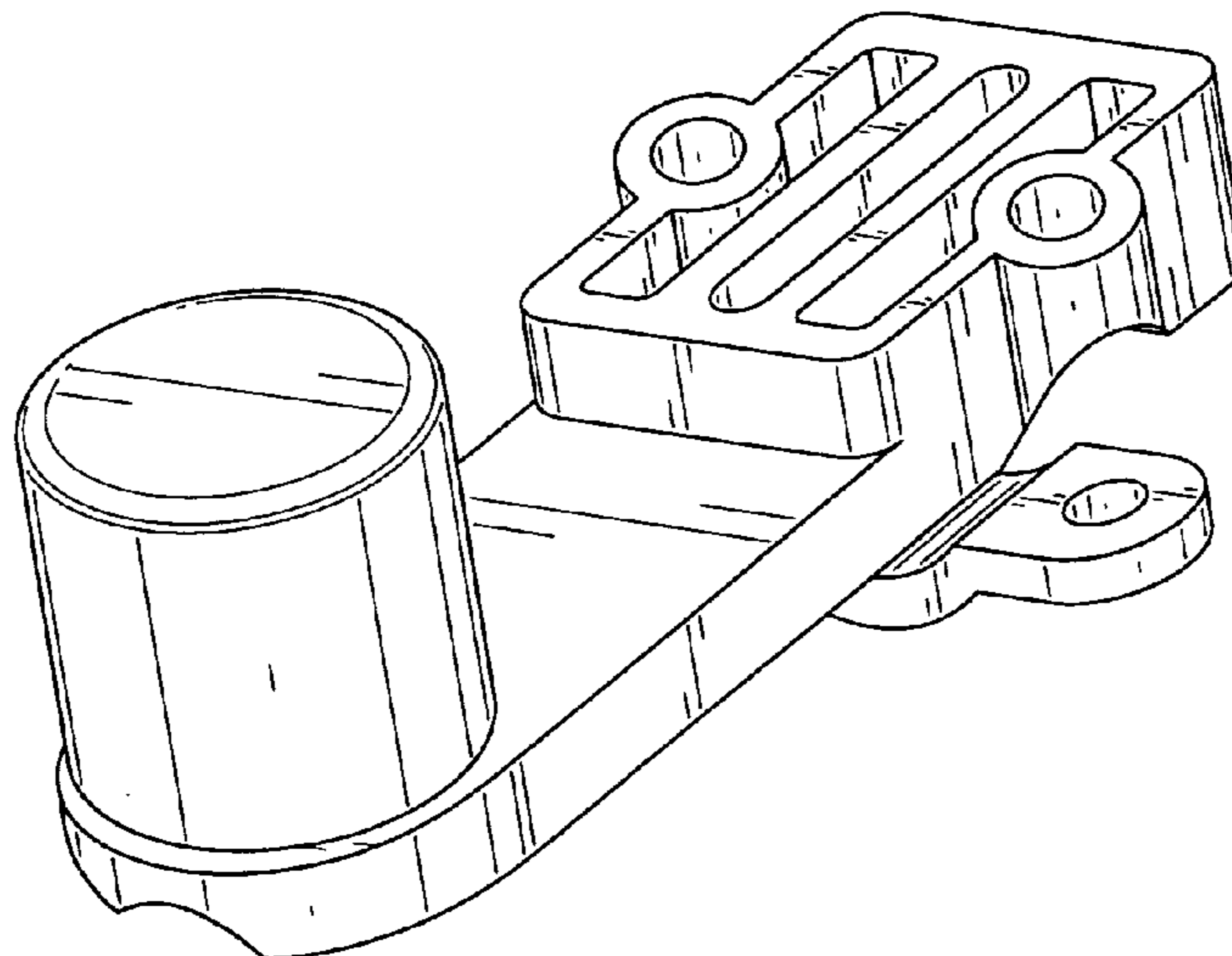
FIG. 15 is a bottom plan view of my design, shown without the bottom element for clarification.

(56) **References Cited**

U.S. PATENT DOCUMENTS

1,296,060	A *	3/1919	Ferguson	248/230.5
2,620,152	A *	12/1952	Niles	248/230.1
2,912,991	A *	11/1959	Shinn	135/68
4,011,443	A *	3/1977	Smith et al.	362/231
4,216,600	A *	8/1980	Brueckner et al.	42/127
D308,116	S *	5/1990	Vandergriff	D26/149
D316,055	S *	4/1991	Rixen	D10/116
D325,866	S *	5/1992	Gary	D8/354
D349,970	S *	8/1994	Chien et al.	D26/38
5,508,895	A *	4/1996	Wagoner, Jr.	362/477
5,595,441	A *	1/1997	McGee	362/473
D395,717	S *	6/1998	Dalton et al.	D26/28
D395,996	S *	7/1998	Fischer	D8/349
6,357,707	B1 *	3/2002	Lindsay	248/226.11
6,390,427	B1 *	5/2002	McConnell et al.	...	248/231.61
D464,250	S *	10/2002	Warner et al.	D8/355
6,986,489	B2 *	1/2006	Oddsens, Jr.	248/289.11
2002/0070324	A1 *	6/2002	Huang	248/311.2

1 Claim, 9 Drawing Sheets



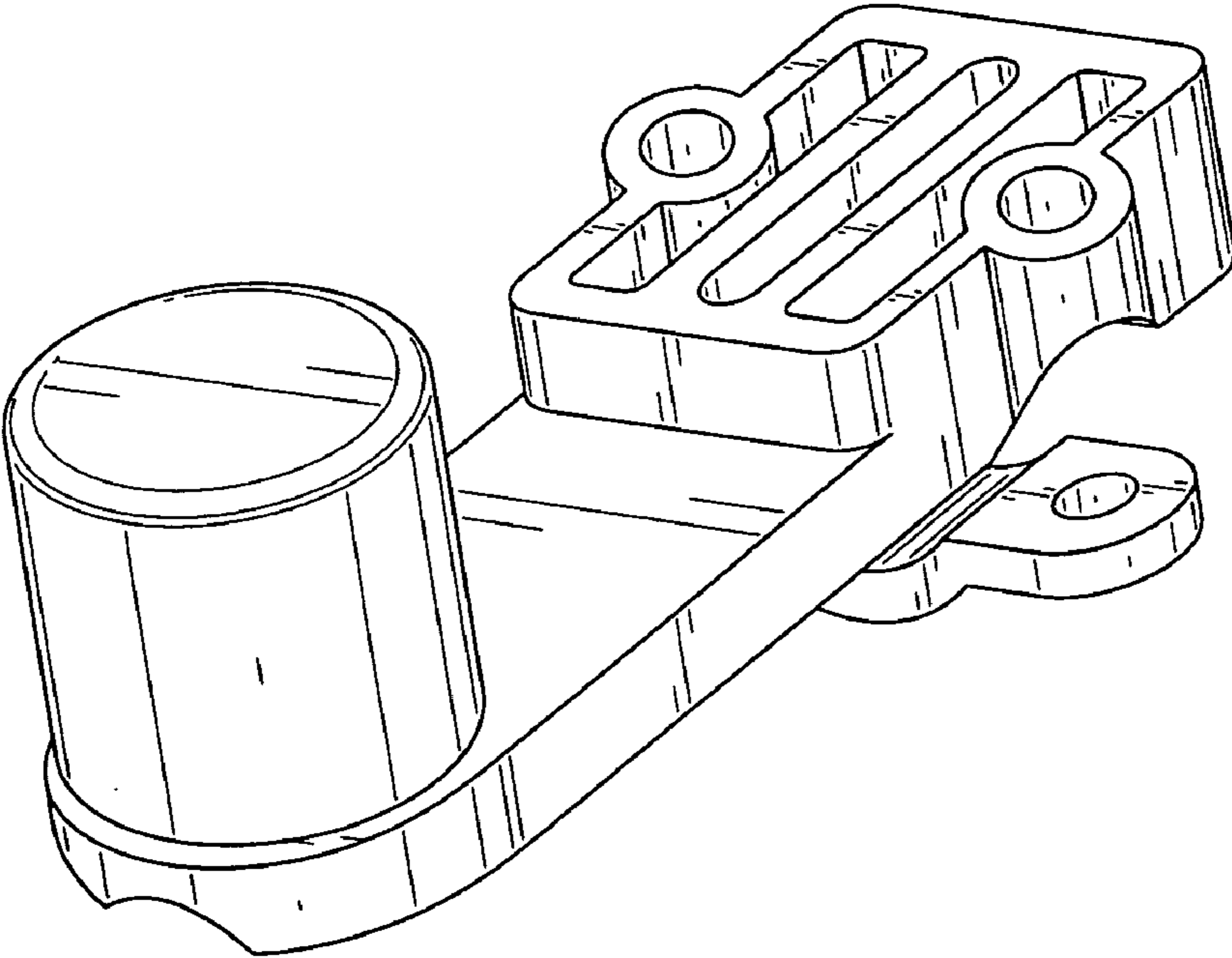


FIG. 1

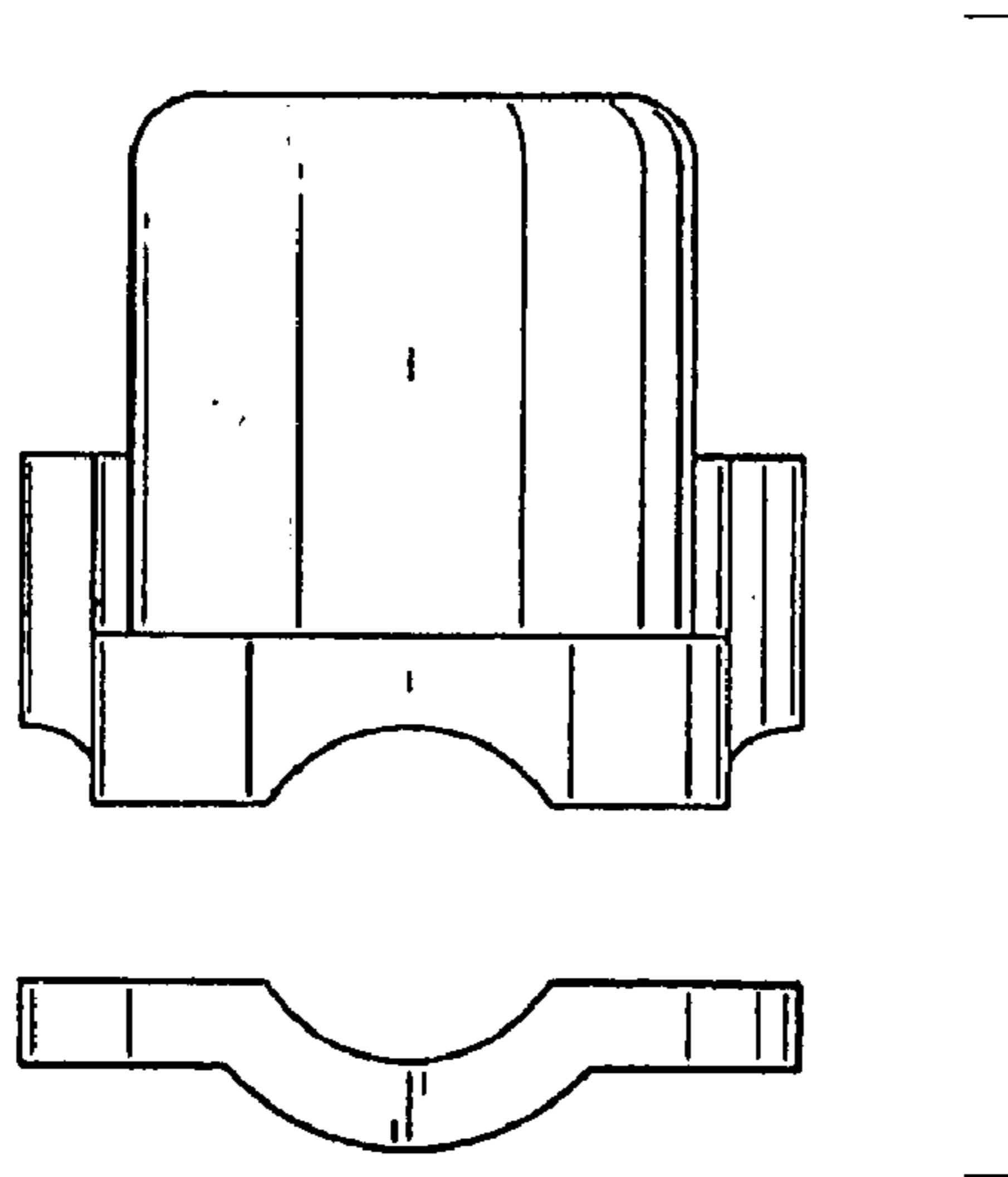


FIG. 2

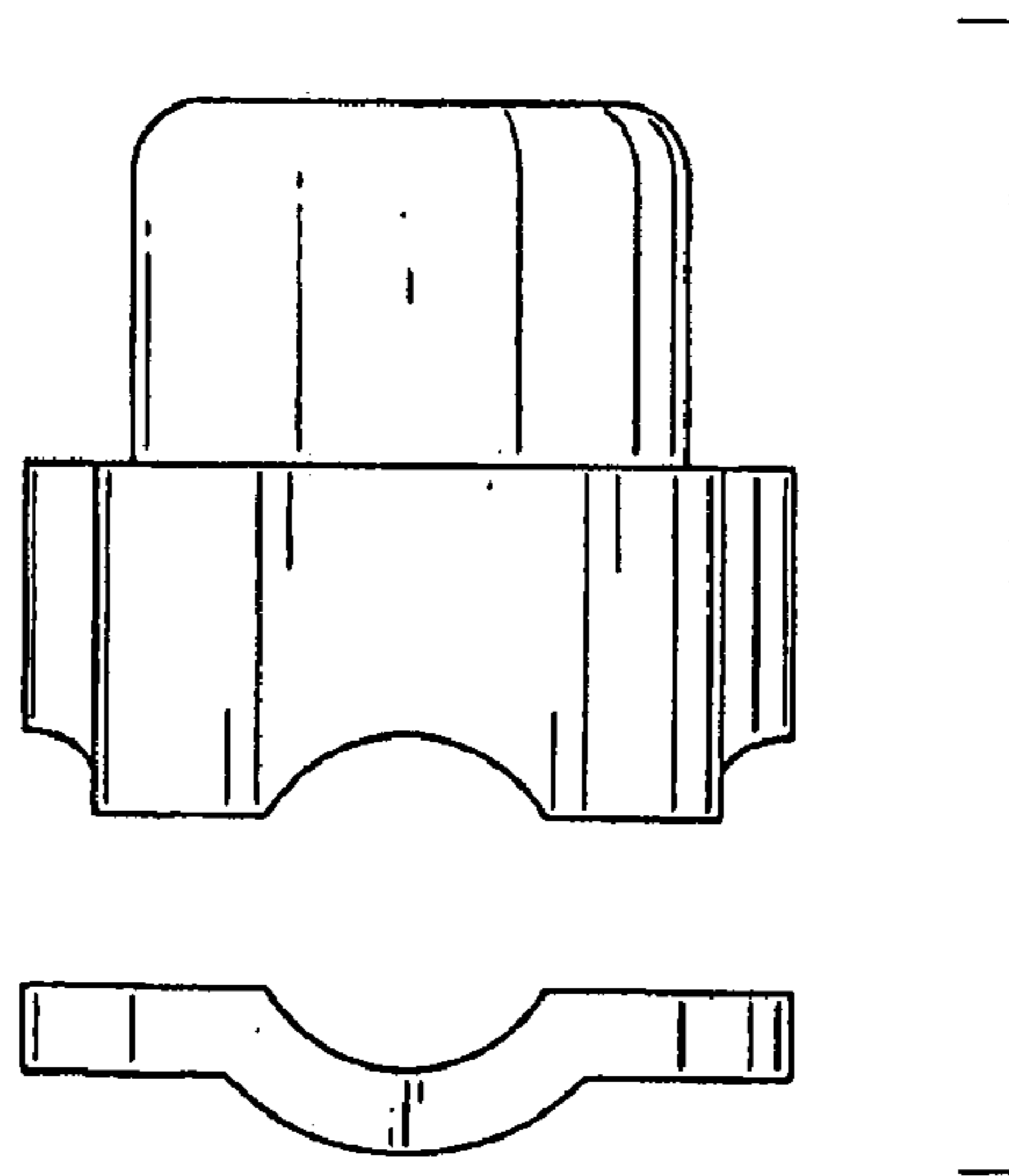


FIG. 3

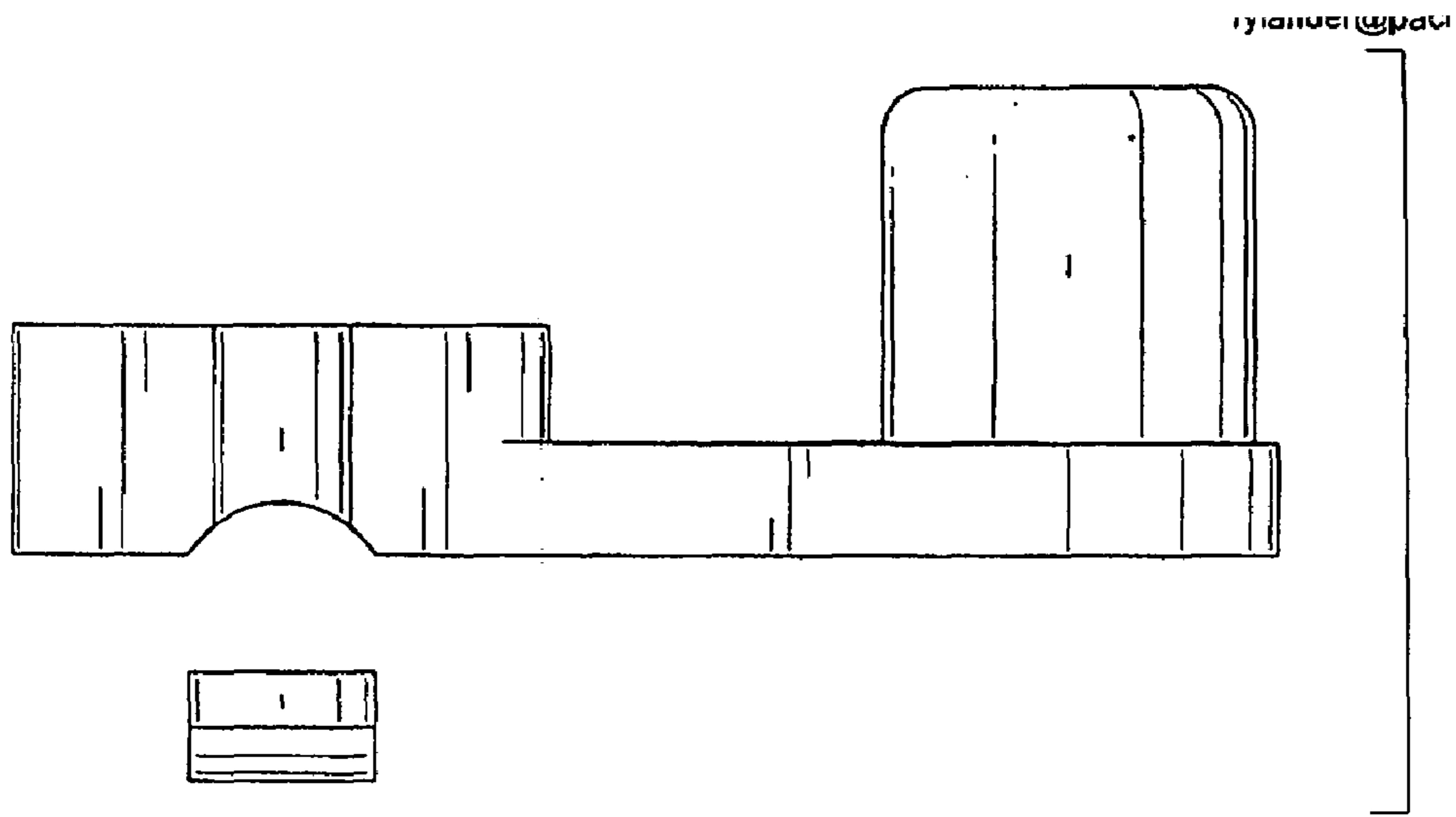


FIG. 4

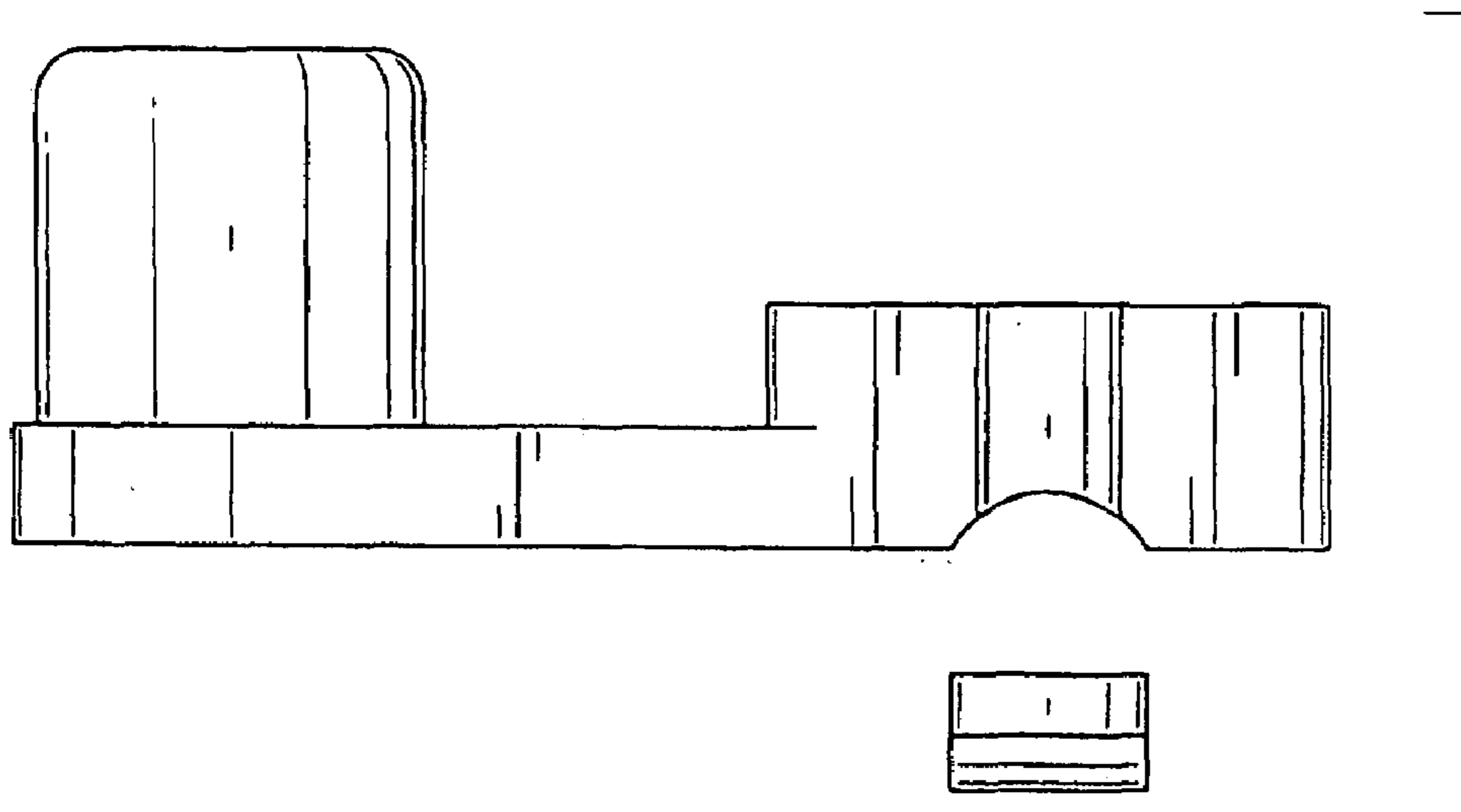


FIG. 5

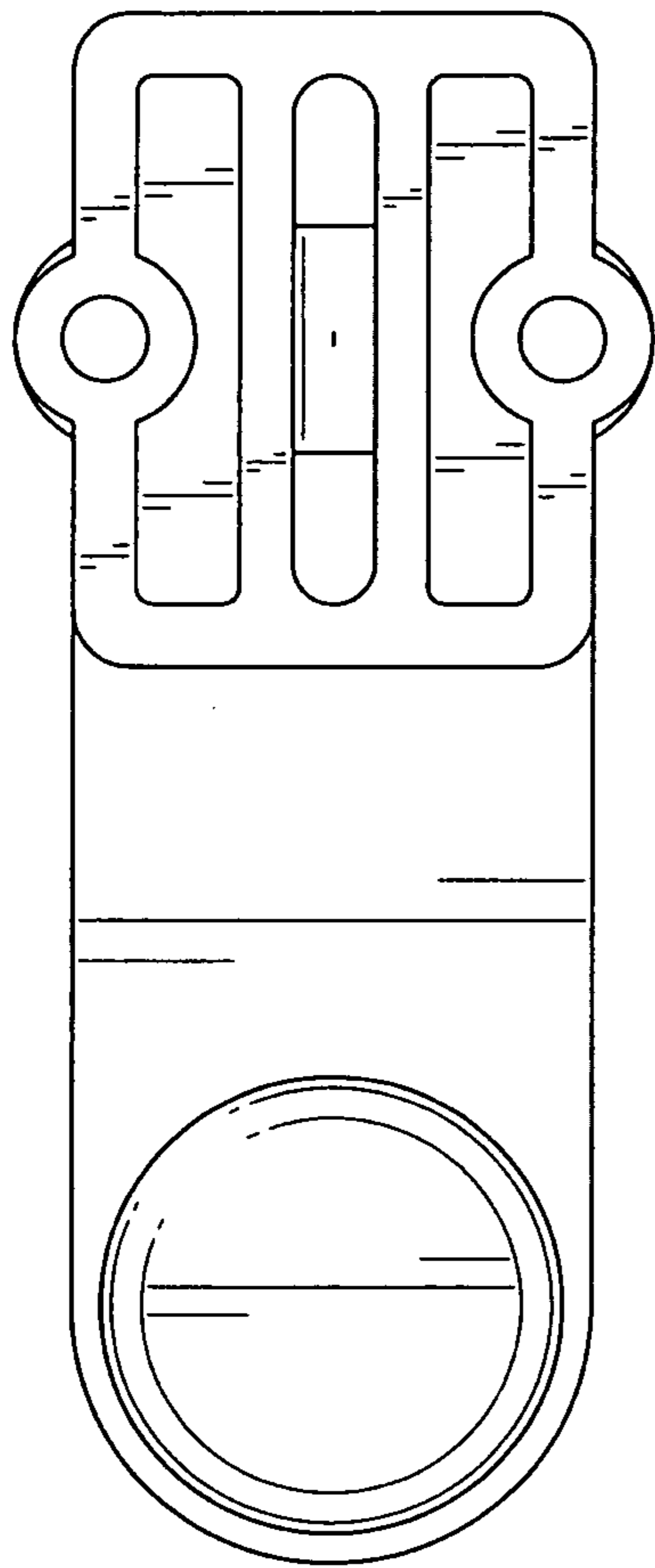


FIG. 6

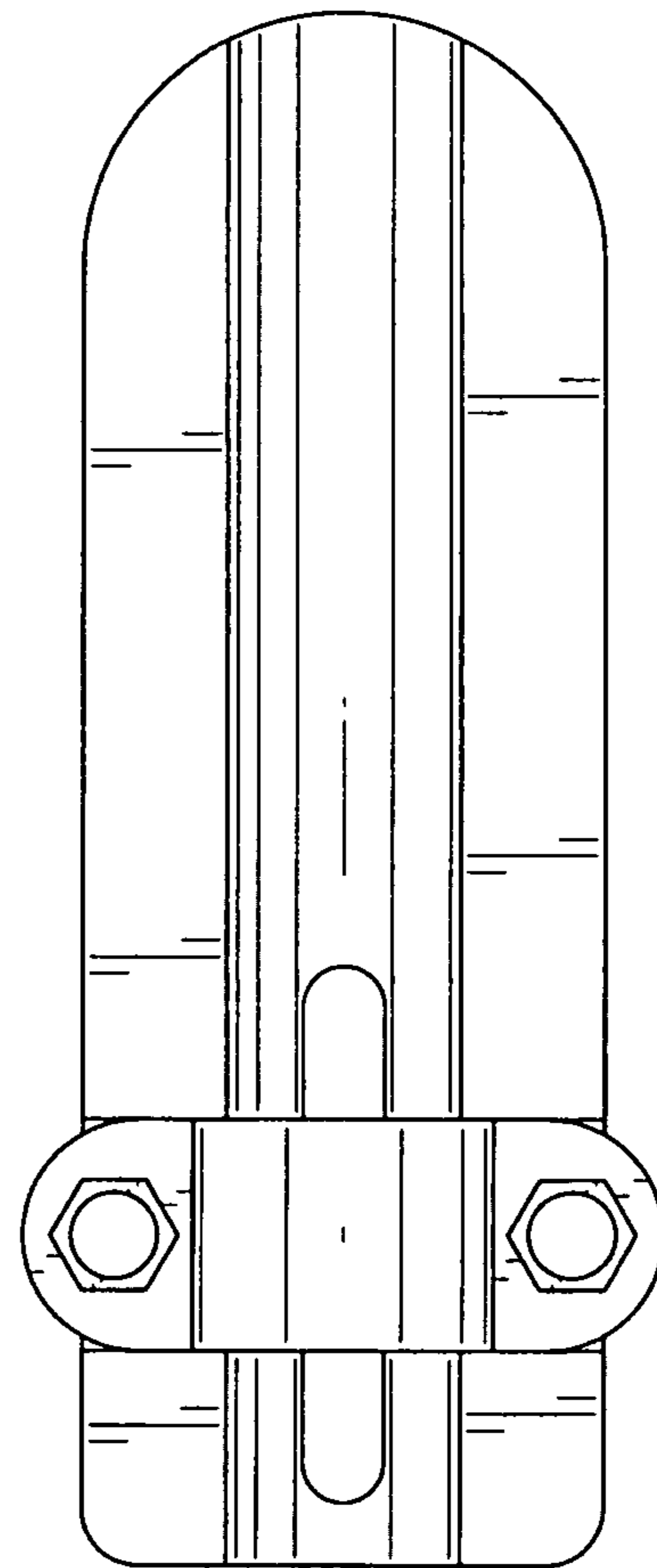


FIG. 7

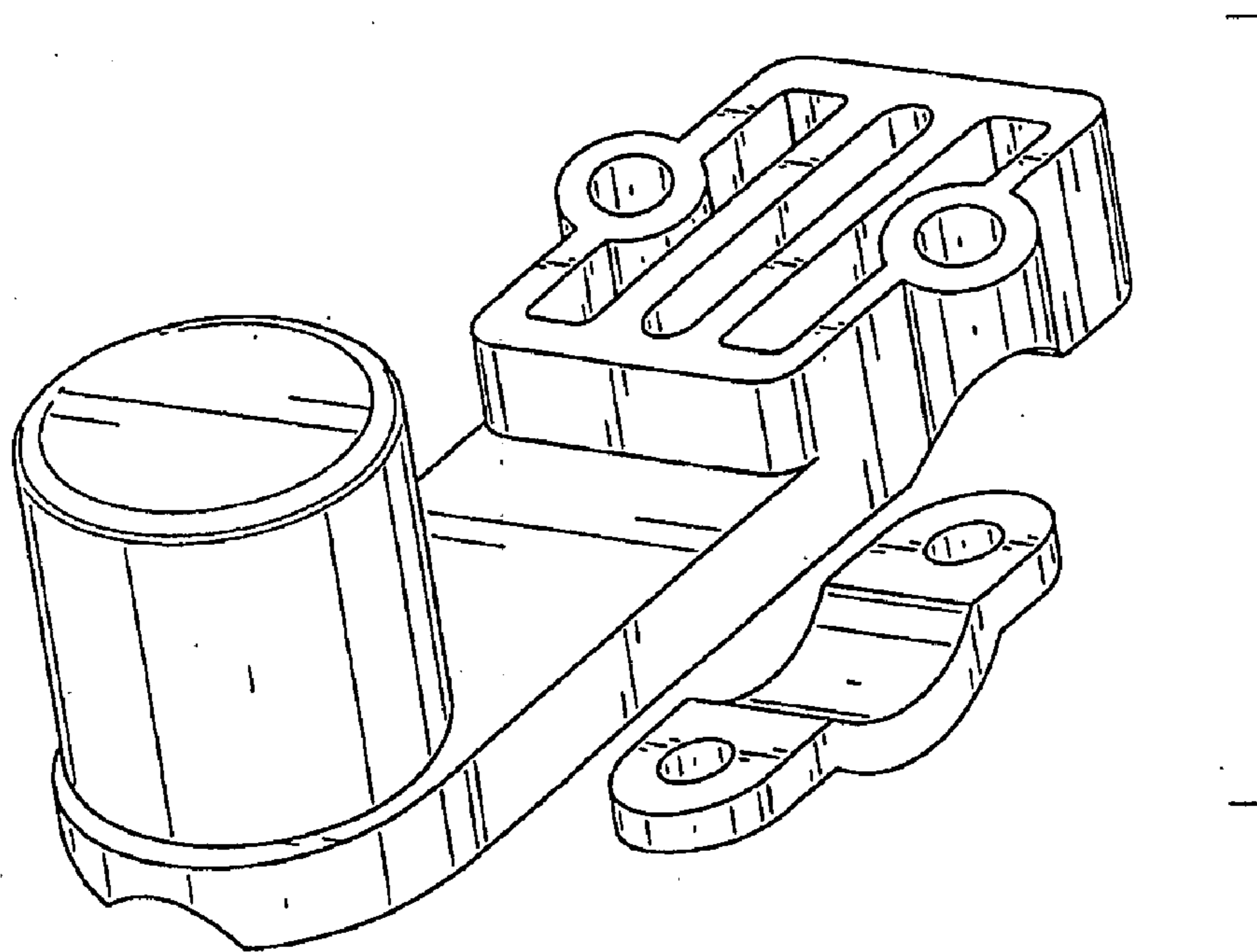


FIG. 8

SHEET 6 of 9

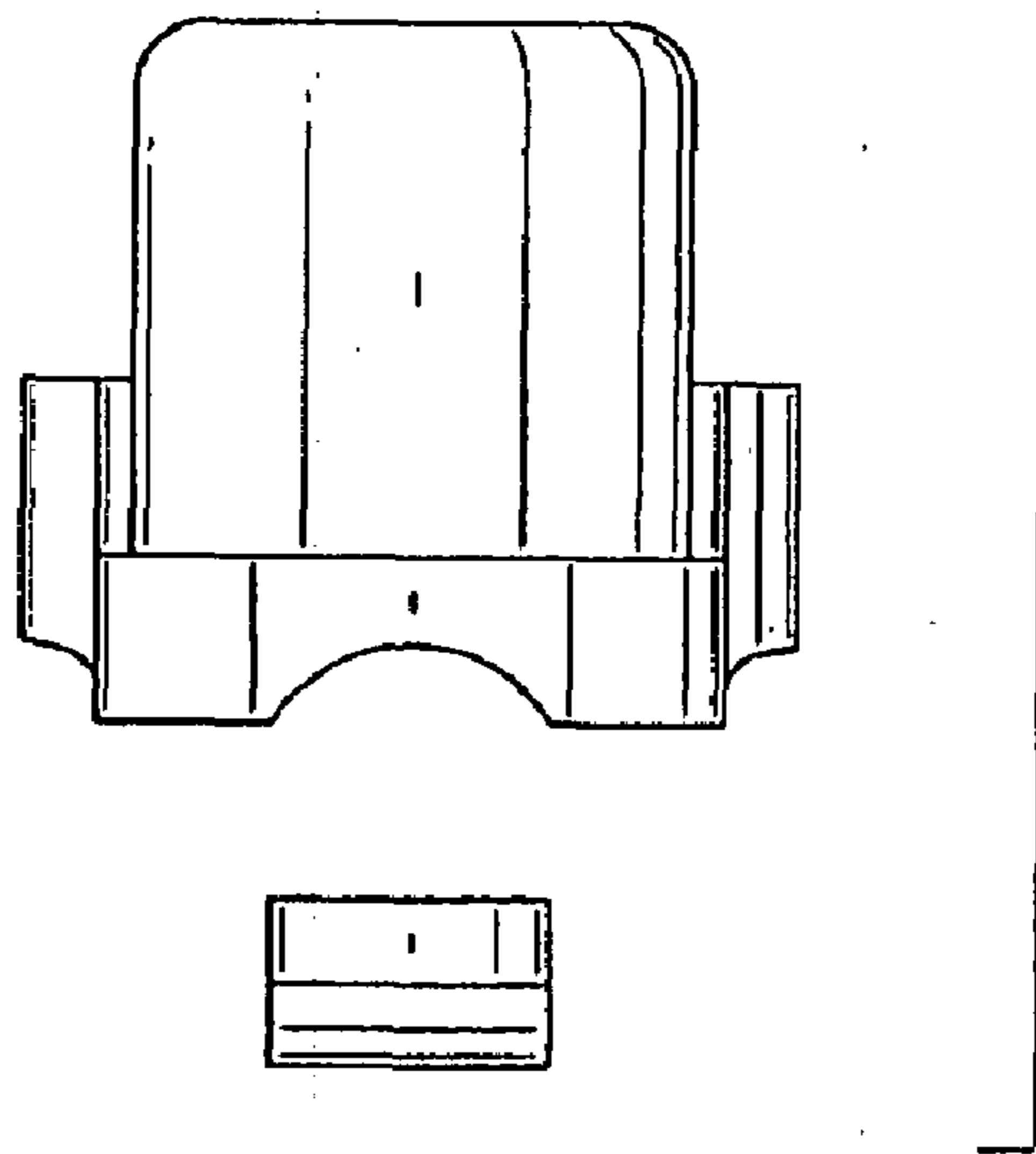


FIG. 9

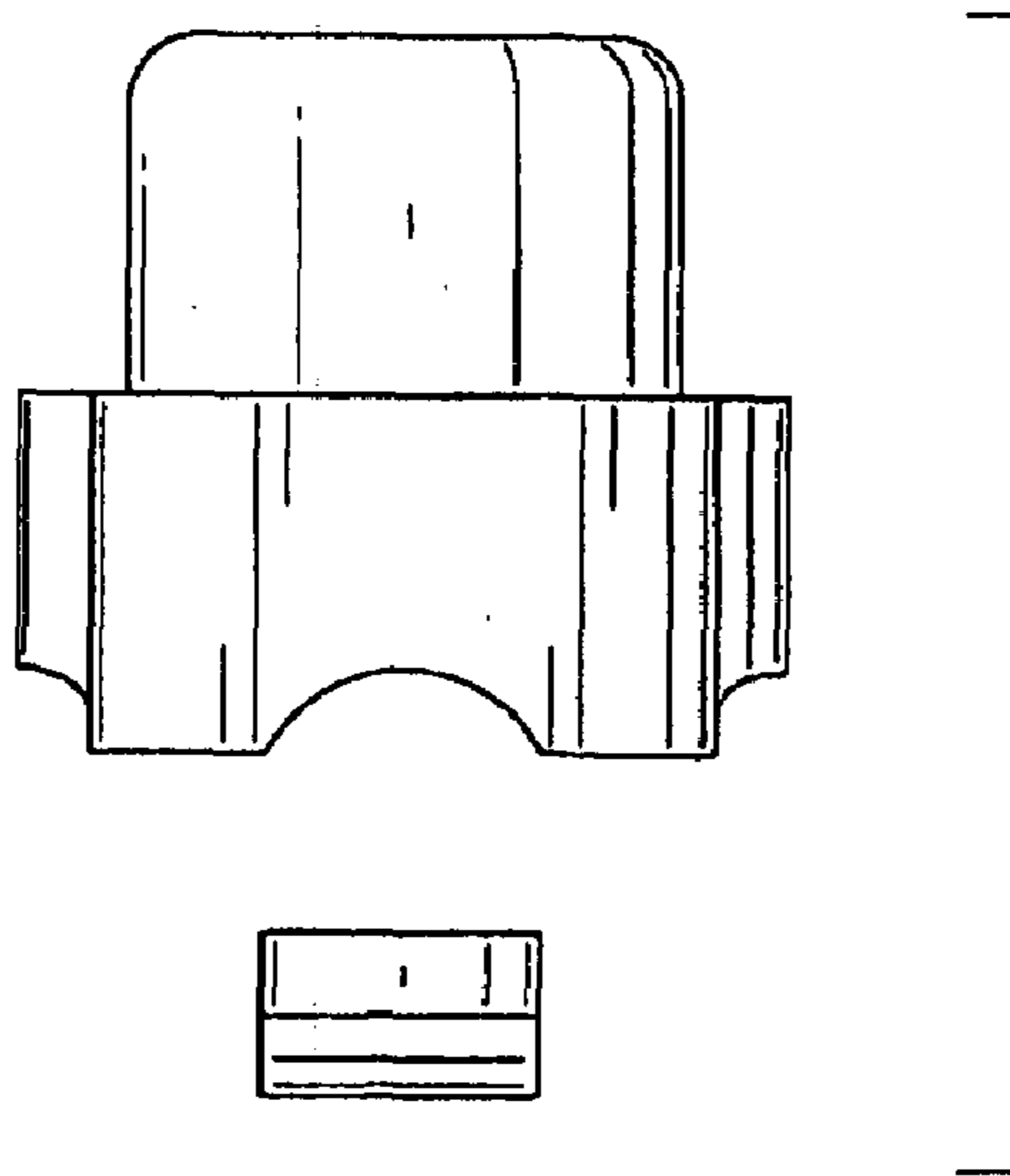


FIG. 10

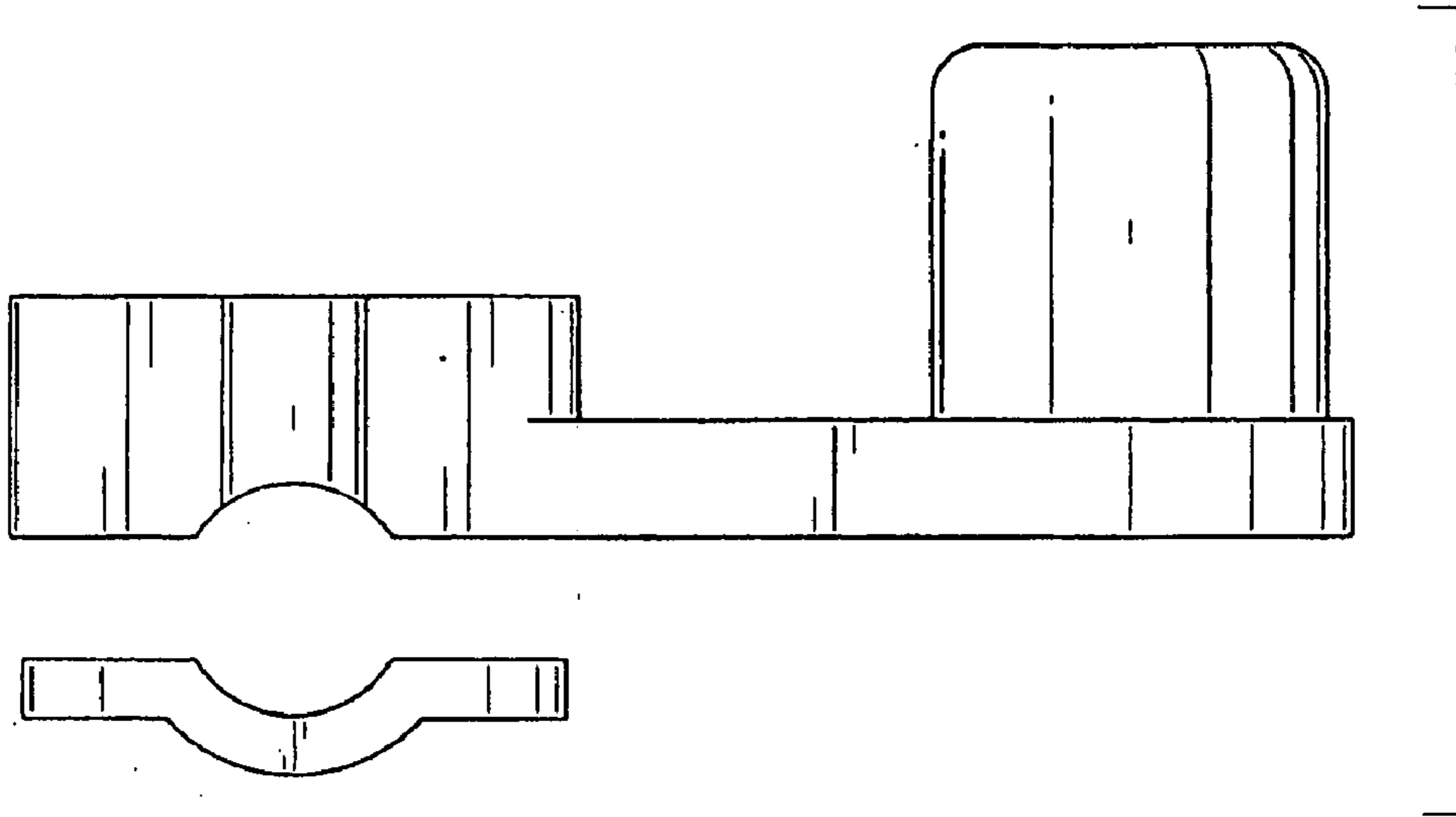


FIG. 11

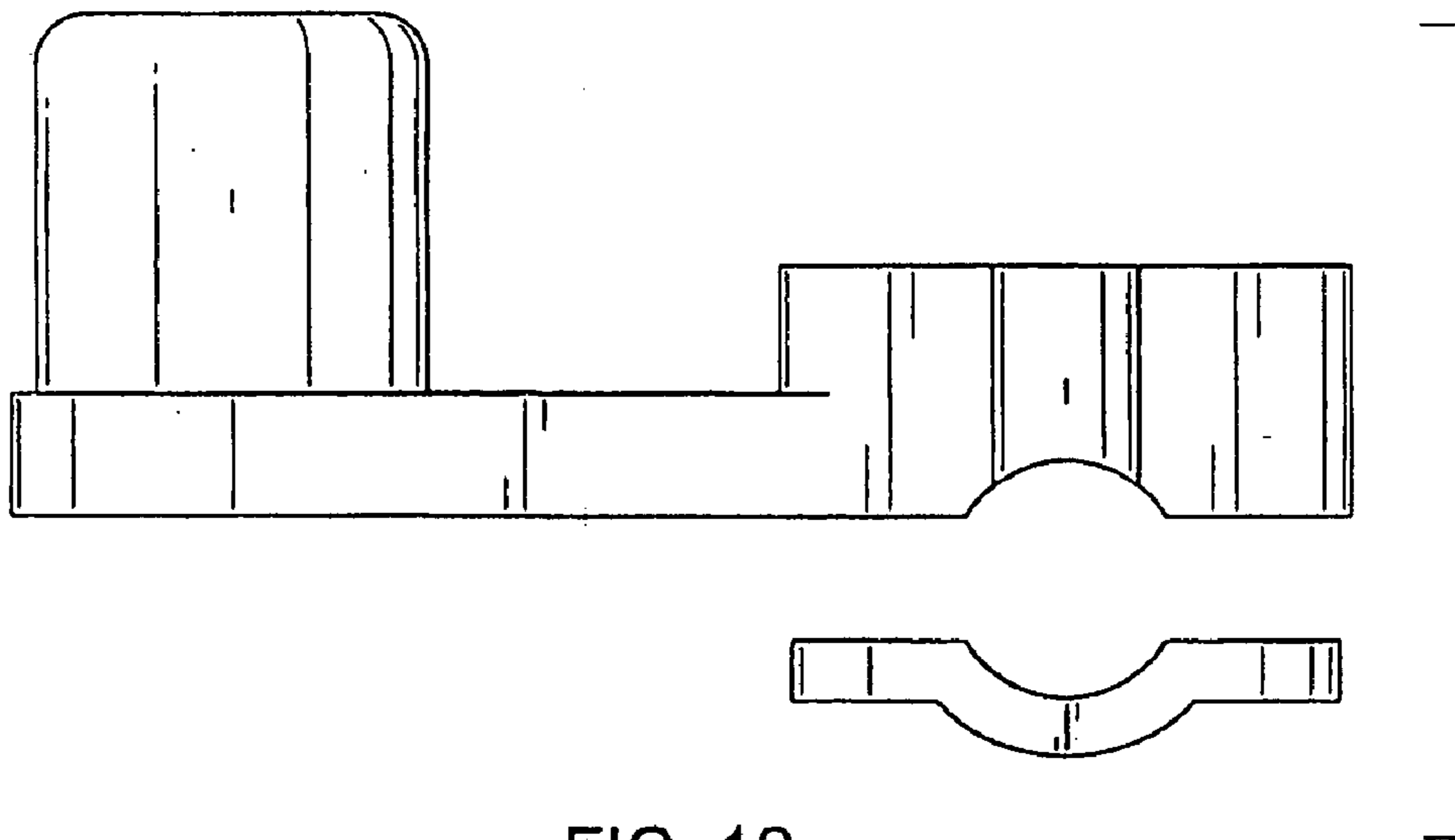


FIG. 12

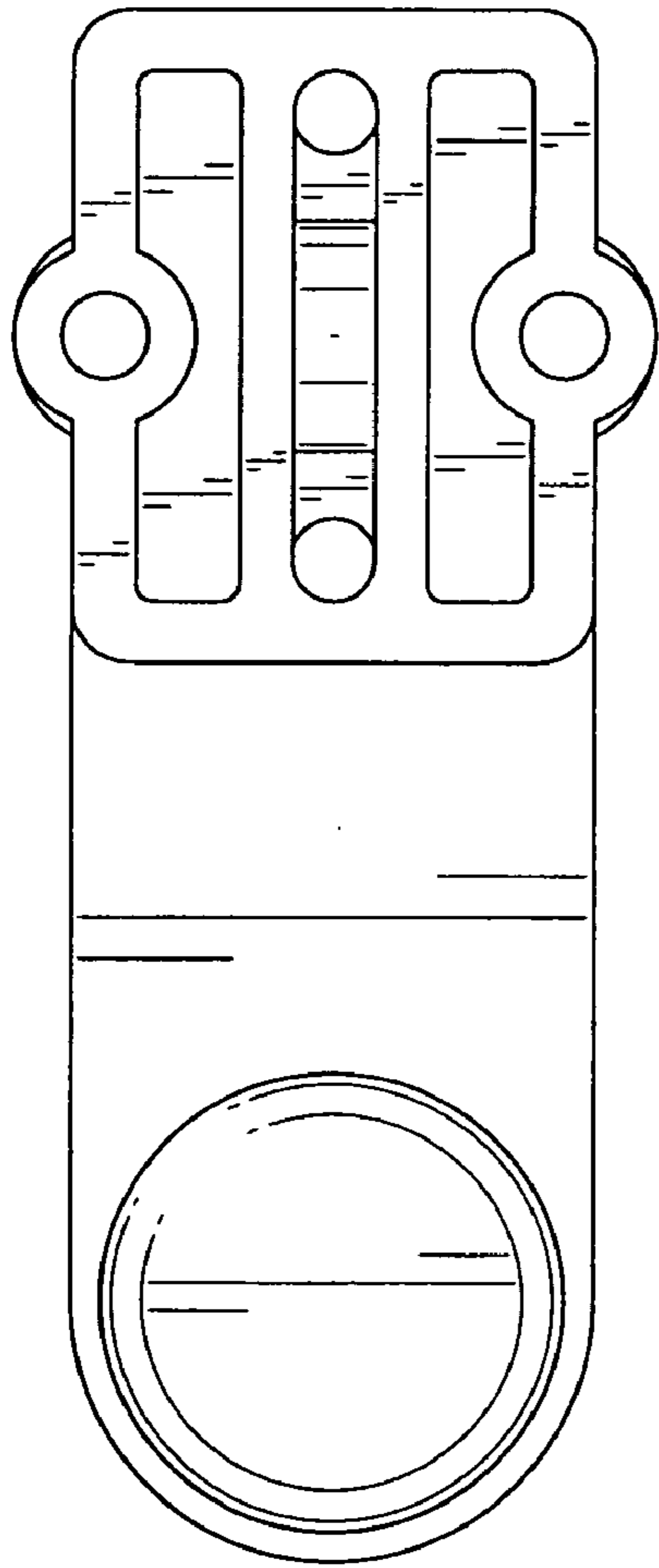


FIG. 13

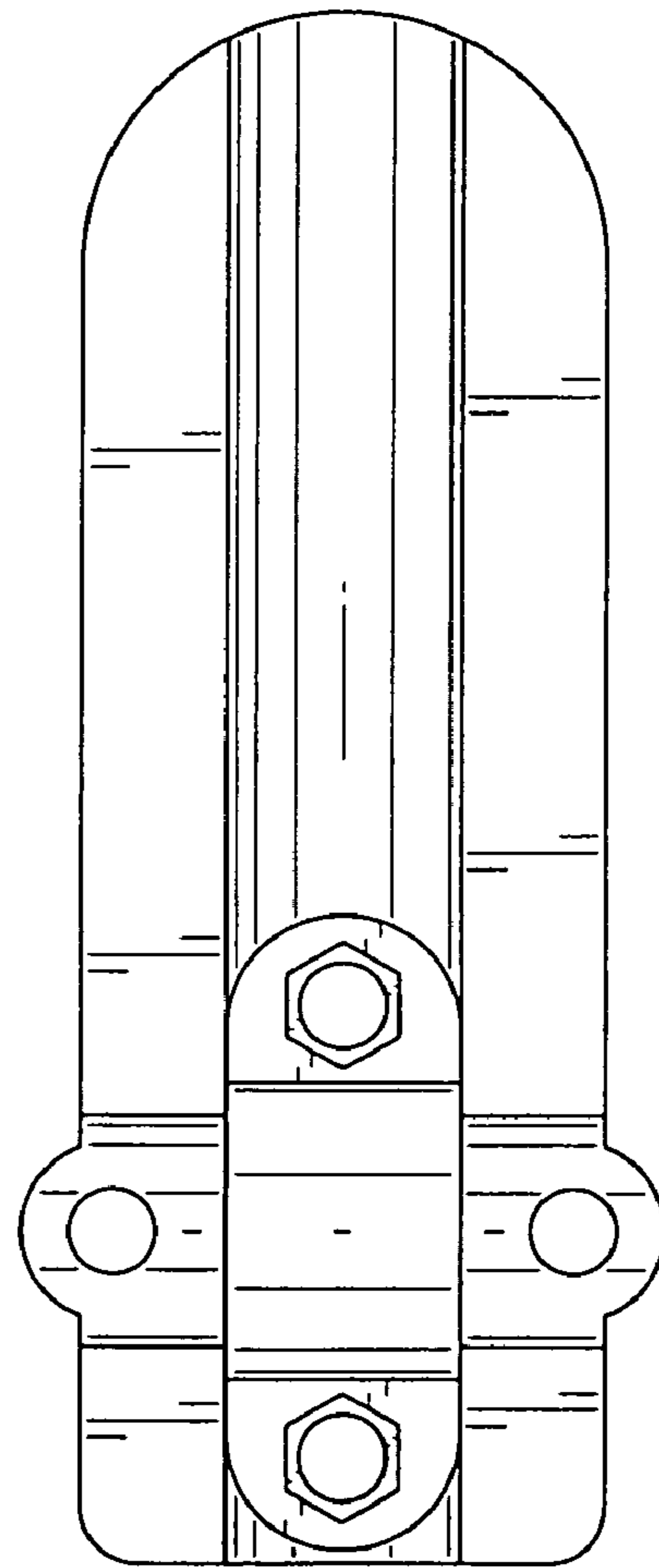


FIG. 14

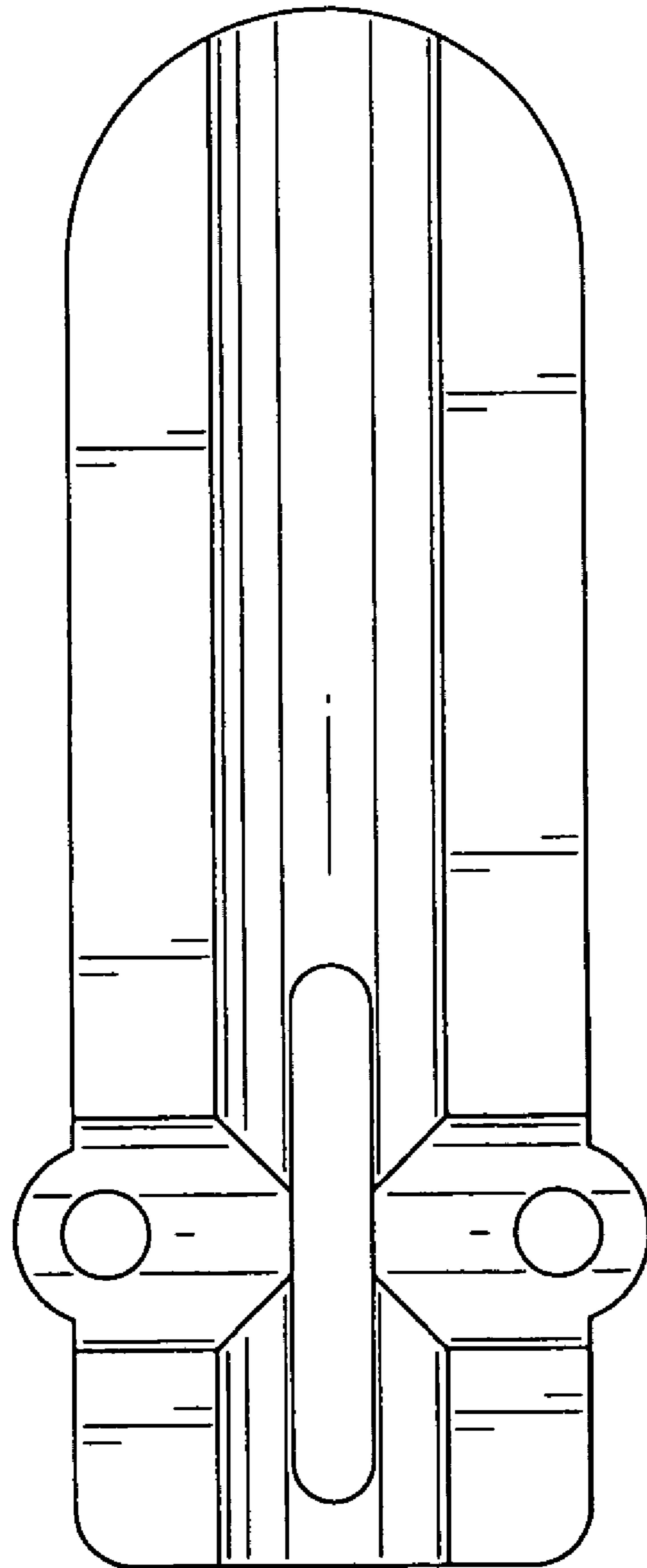


FIG. 15