



US00D560016S

(12) **United States Design Patent** (10) **Patent No.:** **US D560,016 S**
Arndt et al. (45) **Date of Patent:** **** Jan. 15, 2008**

(54) **REFLECTOR LAMP**

(75) Inventors: **Joachim Arndt**, Brieselang (DE); **Uwe Fidler**, Berlin (DE); **Markus Herb**, Günzburg (DE)

(73) Assignee: **Osram GmbH**, Munich (DE)

(**) Term: **14 Years**

(21) Appl. No.: **29/223,045**

(22) Filed: **Feb. 8, 2005**

(30) **Foreign Application Priority Data**

Aug. 10, 2004 (DE) 4 04 04 356

(51) **LOC (8) Cl.** **26-99**

(52) **U.S. Cl.** **D26/118**

(58) **Field of Classification Search** D26/1, D26/2, 3, 26, 42, 72, 79, 113, 114, 118, 124, D26/128, 131, 134, 138, 140, 141, 142, 143, D26/152, 153; D13/136; 313/315; 362/373, 362/222, 217, 260, 247, 296, 341, 344, 347, 362/609, 614, 581, 516, 649

See application file for complete search history.

(56) **References Cited**

U.S. PATENT DOCUMENTS

- 1,439,110 A * 12/1922 Kyle 362/347
- 1,467,372 A * 9/1923 Geils 362/277
- 1,587,542 A * 6/1926 Michel 362/211
- D173,500 S * 11/1954 Kruger et al. D26/79
- D203,749 S * 2/1966 Peek et al. D26/2
- 3,703,635 A * 11/1972 Burkarth 362/300
- D261,061 S * 9/1981 Wiley D26/134
- 4,319,796 A * 3/1982 Wiley 439/374

- 5,473,524 A * 12/1995 Behringer 362/294
- 5,651,609 A * 7/1997 Pelton et al. 362/294
- 5,718,506 A * 2/1998 Yeh 362/344
- 5,720,548 A * 2/1998 Geary 362/260
- 6,008,568 A * 12/1999 Pitel et al. 313/46
- D433,166 S * 10/2000 Noll D26/2
- 6,450,667 B1 * 9/2002 Thompson 362/263
- D469,210 S * 1/2003 Homann D26/118
- D469,212 S * 1/2003 Chiu D26/118
- 6,773,141 B2 * 8/2004 Zhao et al. 362/257
- D497,439 S * 10/2004 Shaw et al. D26/2
- 2003/0123255 A1 * 7/2003 Marchetti 362/296
- 2003/0189828 A1 * 10/2003 Coushaine 362/226
- 2004/0264196 A1 * 12/2004 Shu 362/294

* cited by examiner

Primary Examiner—Freda S. Nunn

Assistant Examiner—Kevin K. Rudzinski

(74) *Attorney, Agent, or Firm*—Robert F. Clark

(57) **CLAIM**

The ornamental design for a reflector lamp, as shown and described.

DESCRIPTION

FIG. 1 is a perspective view showing the new design, the base being shown at an indeterminate length;

FIG. 2 is a front view thereof;

FIG. 3 is right side view thereof;

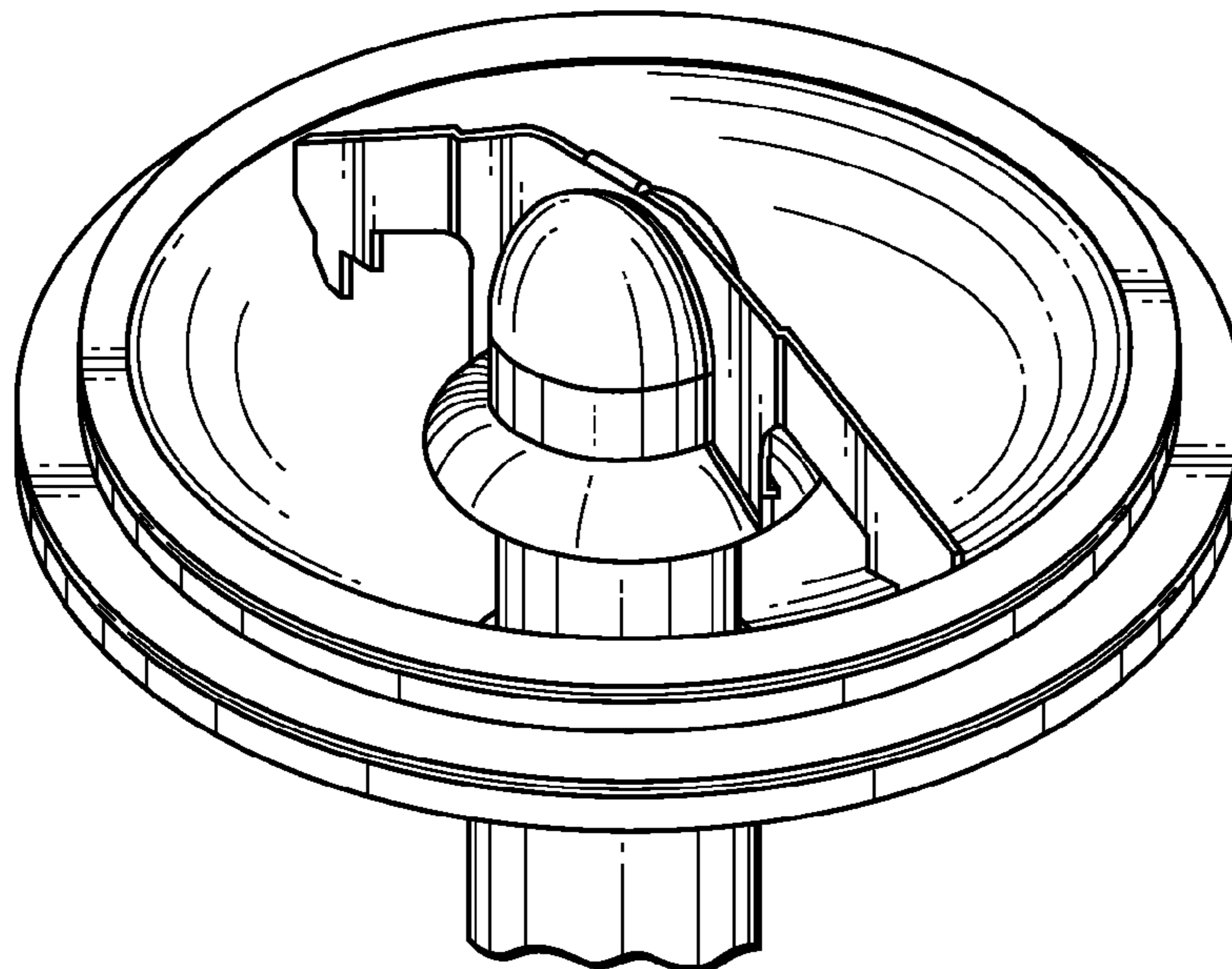
FIG. 4 is a back view thereof;

FIG. 5 is left side view thereof;

FIG. 6 is top view thereof; and,

FIG. 7 is a bottom view thereof.

1 Claim, 4 Drawing Sheets



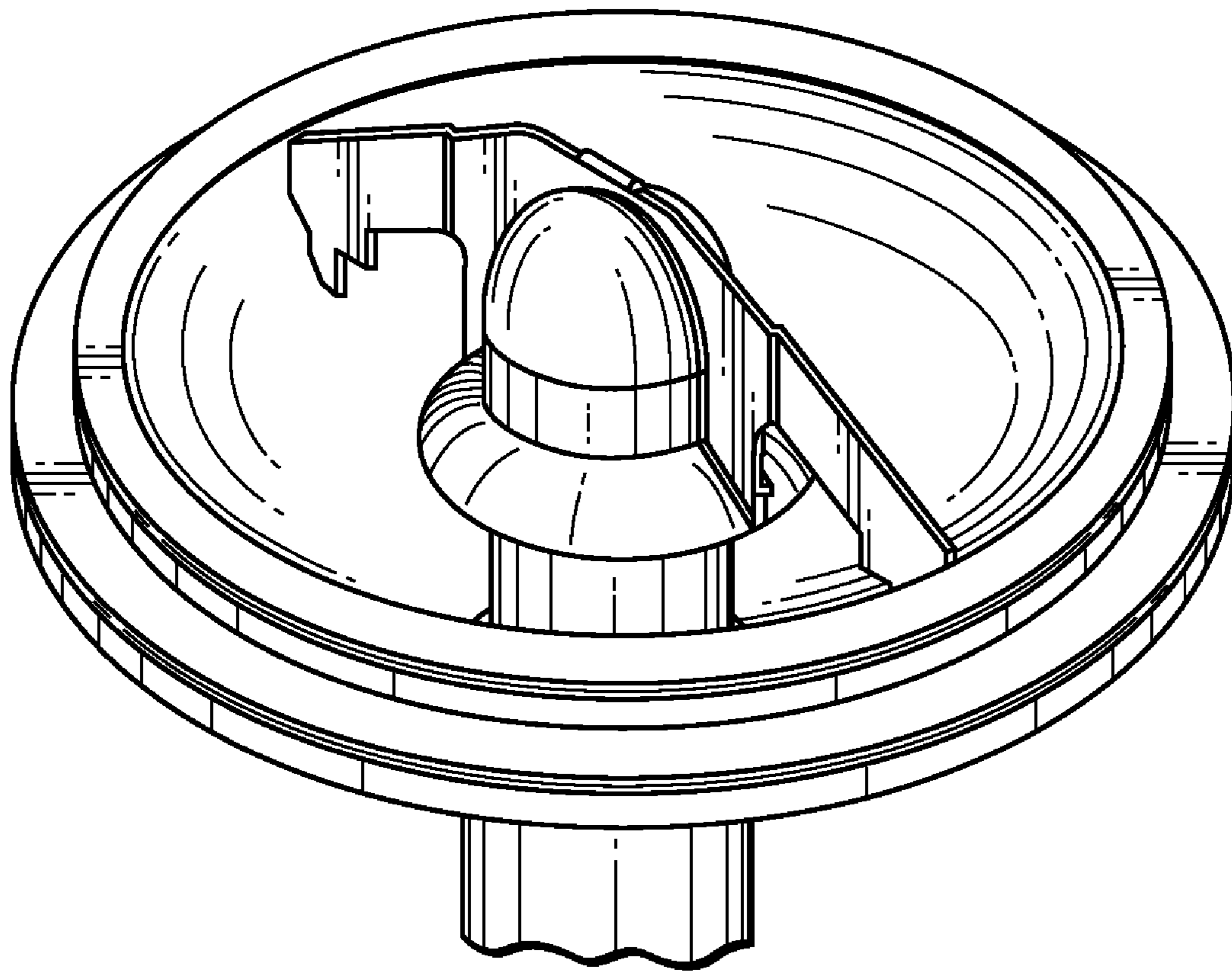


FIG. 1

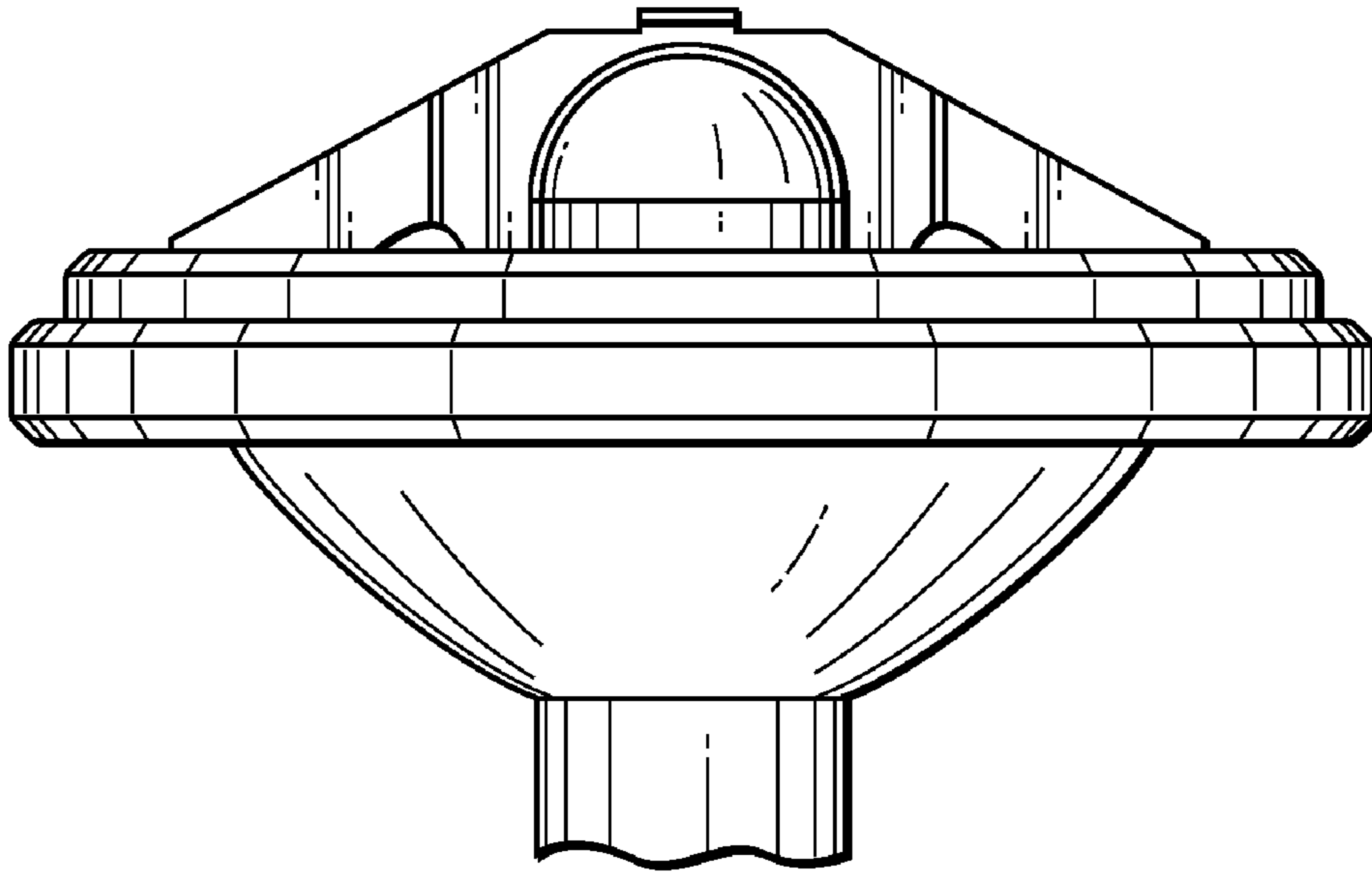


FIG. 2

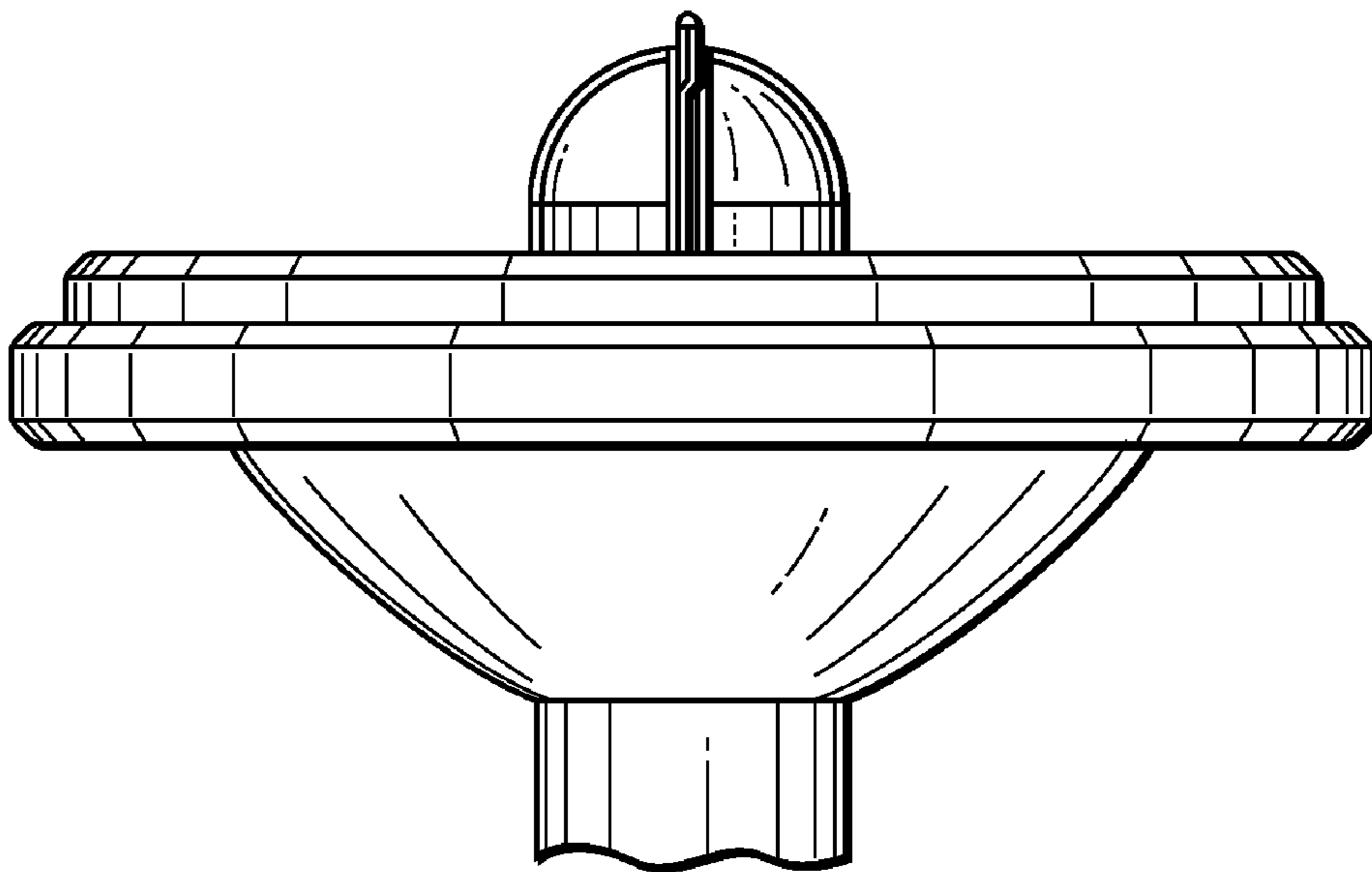


FIG. 3

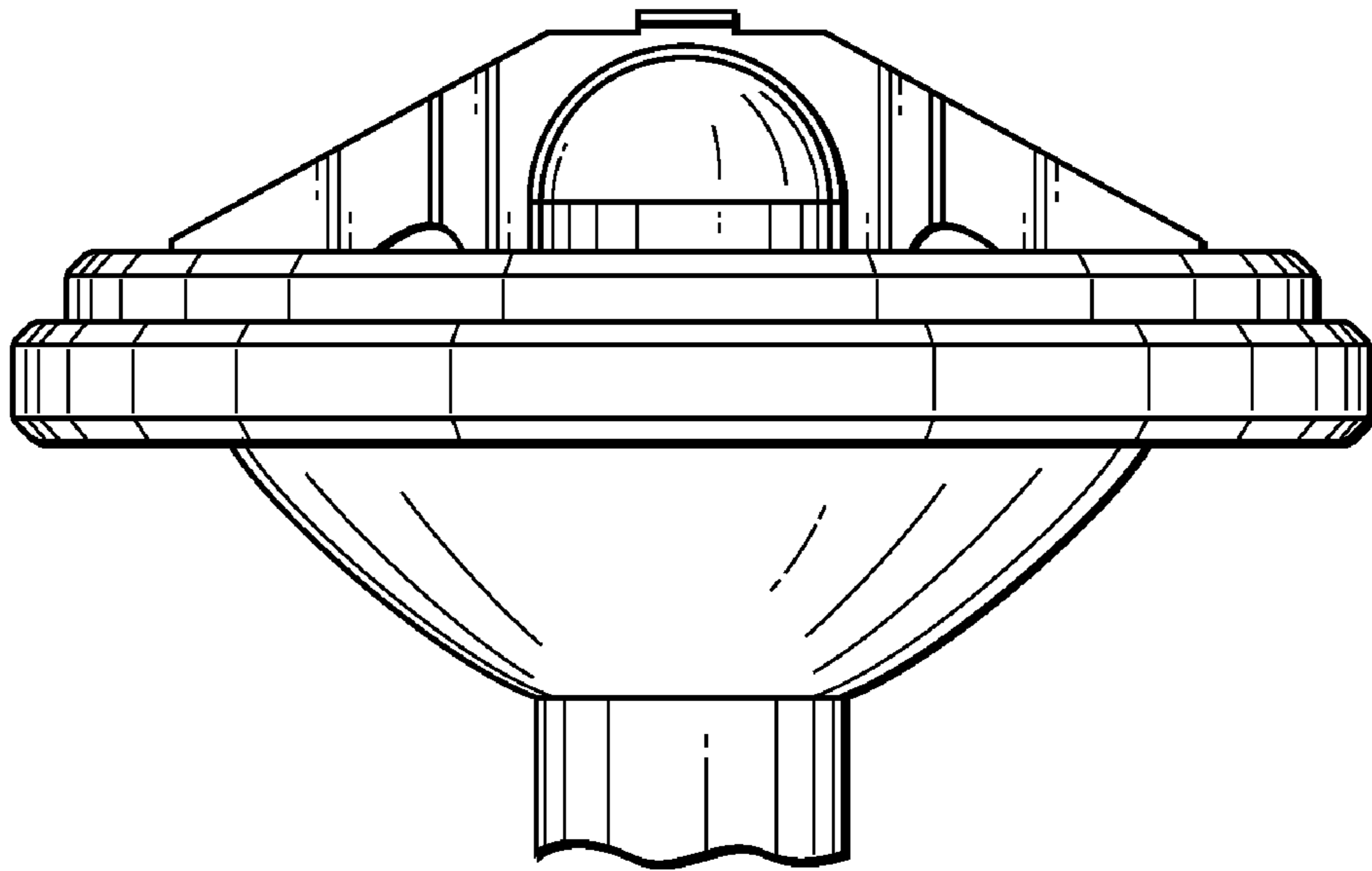


FIG. 4

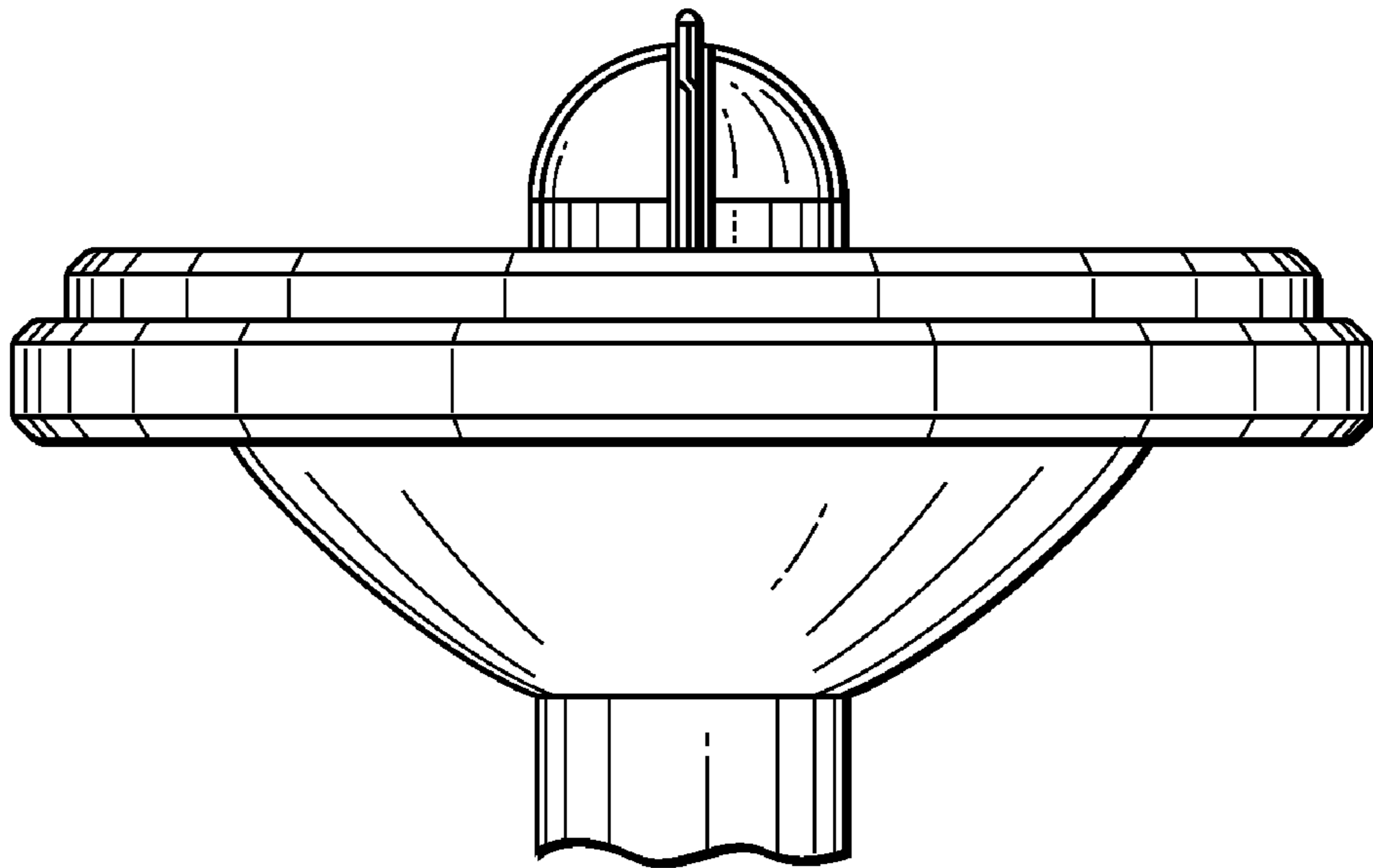


FIG. 5

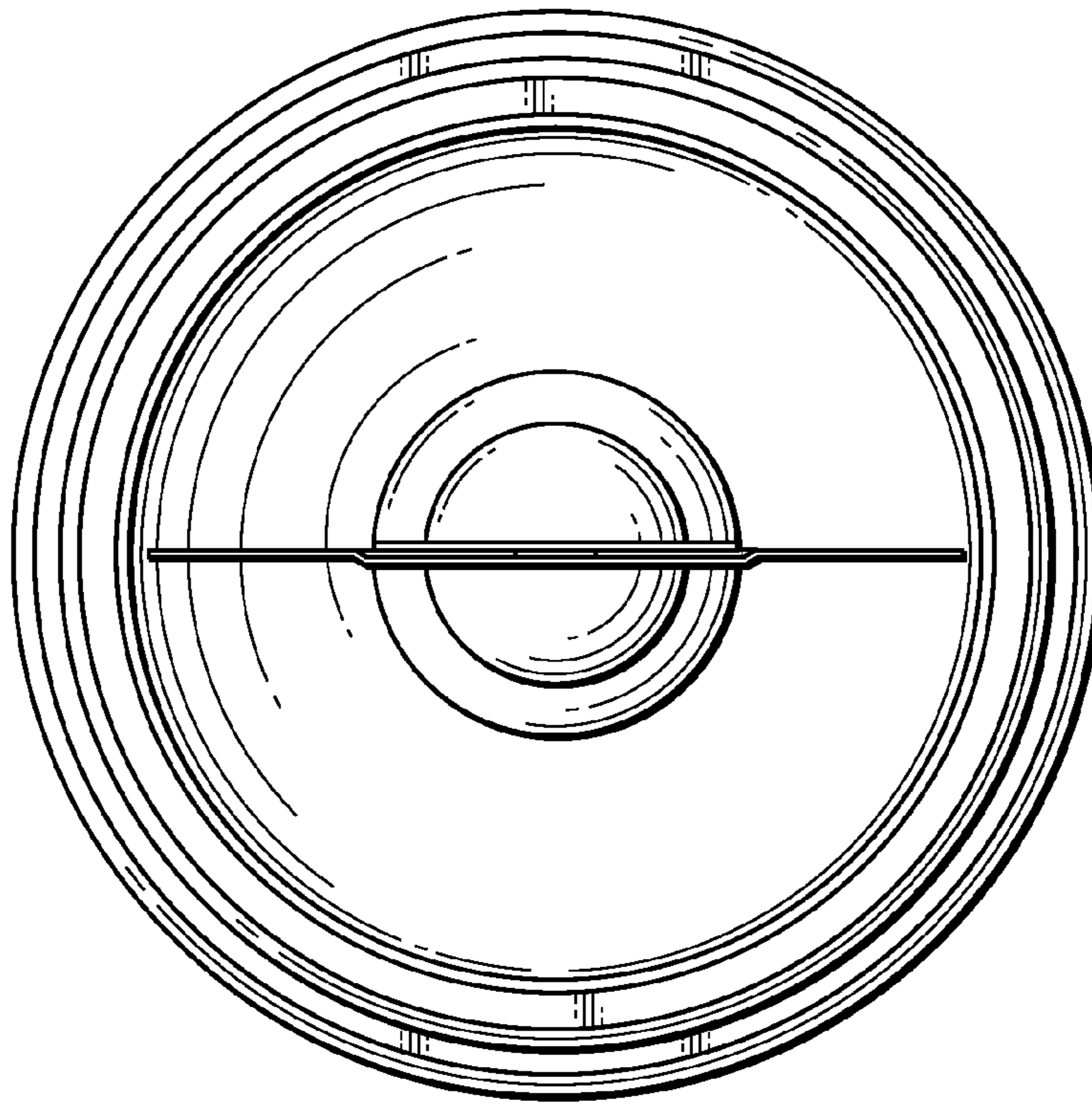


FIG. 6

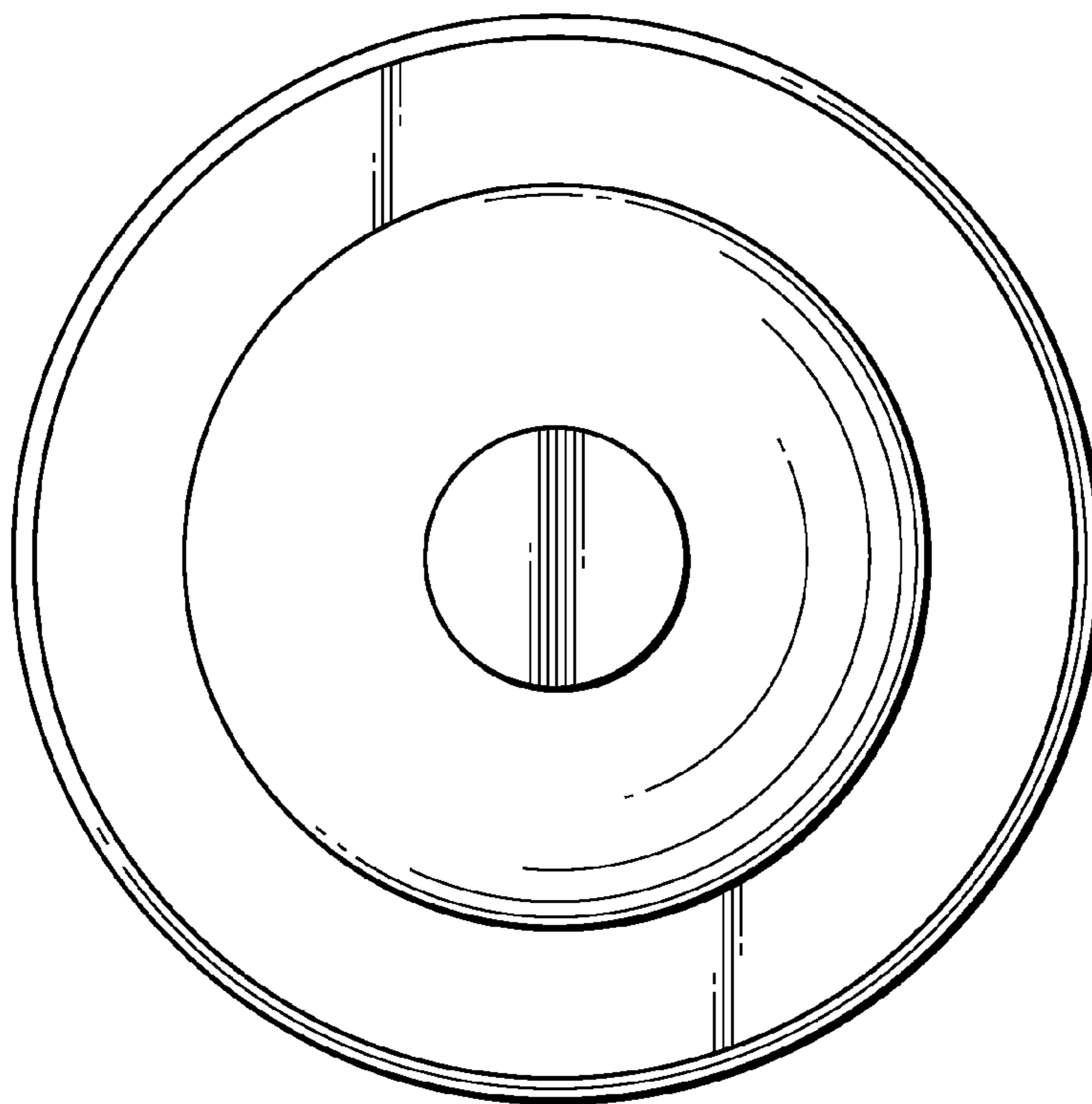


FIG. 7