



US00D560014S

(12) **United States Design Patent**
Lammel et al.

(10) **Patent No.:** **US D560,014 S**
(45) **Date of Patent:** **** Jan. 15, 2008**

(54) **READING LIGHT**

(75) Inventors: **Michael Lammel**, Aachen (DE);
Michael Zeisel, Aachen (DE)

(73) Assignee: **Schott AG**, Mainz (DE)

(**) Term: **14 Years**

(21) Appl. No.: **29/286,804**

(22) Filed: **May 18, 2007**

(30) **Foreign Application Priority Data**

Nov. 21, 2006 (EM) 000625017

(51) **LOC (8) Cl.** **26-05**

(52) **U.S. Cl.** **D26/61**

(58) **Field of Classification Search** D26/43,
D26/51, 56, 60-65, 93, 107, 118; 362/269,
362/270, 275, 277, 278, 281, 282, 283, 284,
362/285, 287, 288, 289, 400, 401, 402, 410,
362/413, 418-430, 449, 98, 99, 109, 191,
362/197, 198, 396

See application file for complete search history.

(56) **References Cited**

U.S. PATENT DOCUMENTS

4,167,774 A * 9/1979 Knuchel et al. 362/87
D350,620 S * 9/1994 Yuen D26/65
D392,760 S * 3/1998 Wu D26/62
D476,106 S * 6/2003 Kim D26/62
D504,535 S * 4/2005 Shiu D26/60
D509,010 S * 8/2005 Kovacik et al. D26/44
D522,679 S * 6/2006 Hodgson D26/60
D525,381 S * 7/2006 Hodgson D26/60
D531,339 S * 10/2006 Lee et al. D26/60

7,222,995 B1 * 5/2007 Bayat et al. 362/327
D544,120 S * 6/2007 Matthews et al. D26/37
D548,380 S * 8/2007 Wai et al. D26/37
2005/0201092 A1 * 9/2005 Chen 362/253

* cited by examiner

Primary Examiner—Cathron Brooks

Assistant Examiner—Barbara Fox

(74) *Attorney, Agent, or Firm*—Fulbright & Jaworski LLP.

(57) **CLAIM**

The ornamental design for a reading light, as shown and described.

DESCRIPTION

FIG. 1 is a front perspective view of a reading light showing our new design;

FIG. 2 is a left side view thereof;

FIG. 3 is a right side view thereof;

FIG. 4 is a front view thereof;

FIG. 5 is a side perspective view thereof;

FIG. 6 is bottom perspective view thereof;

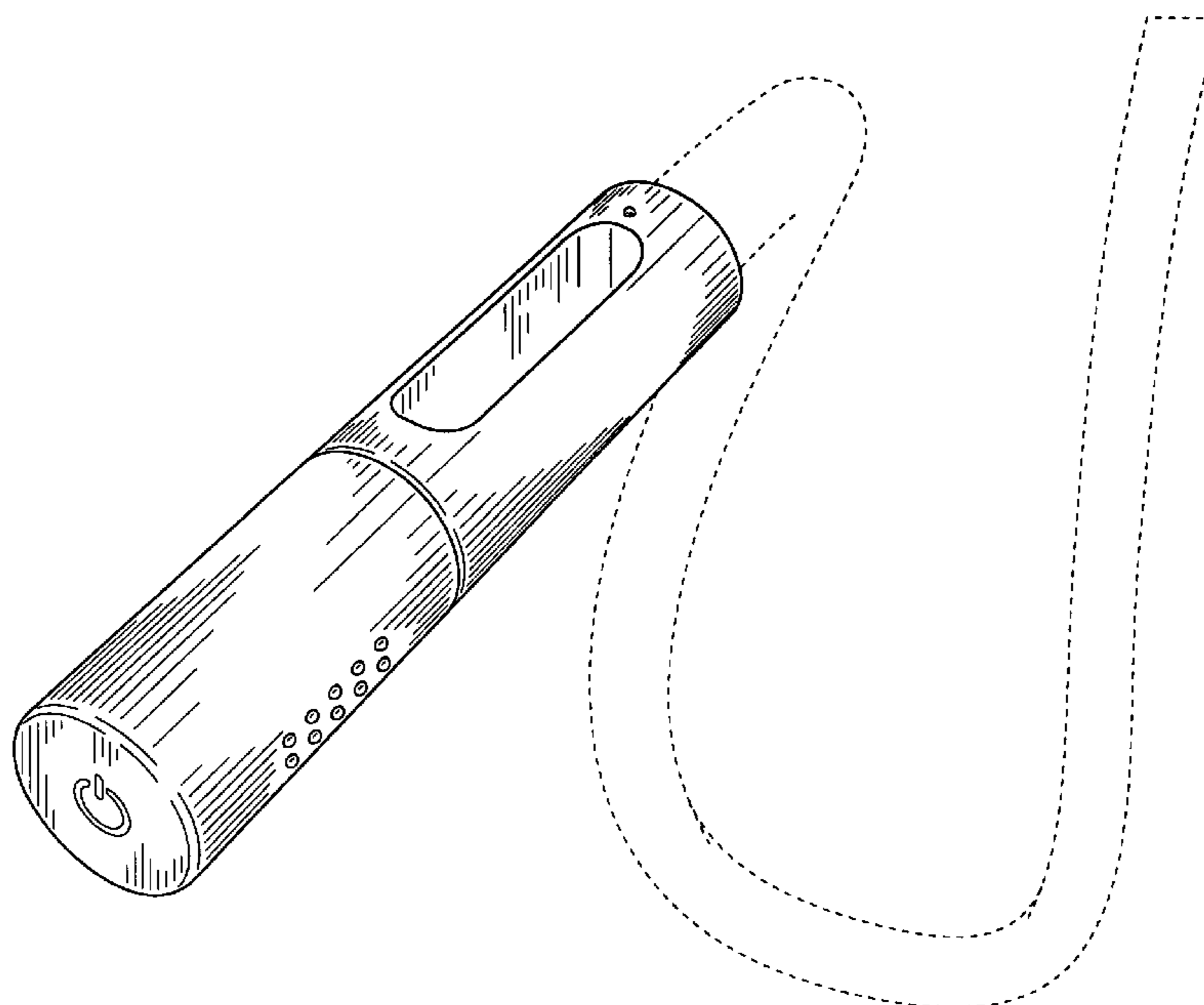
FIG. 7 is a top view thereof;

FIG. 8 is a bottom view thereof; and,

FIG. 9 is a rear perspective view thereof.

It should be understood that the labels used herein for describing orientation (e.g., front, side) are merely for reference, and the design may be disposed in any manner and still be within the scope of the present invention. Any portions of the article in broken lines are shown for illustrative purposes only and form no part of the claimed design.

1 Claim, 6 Drawing Sheets



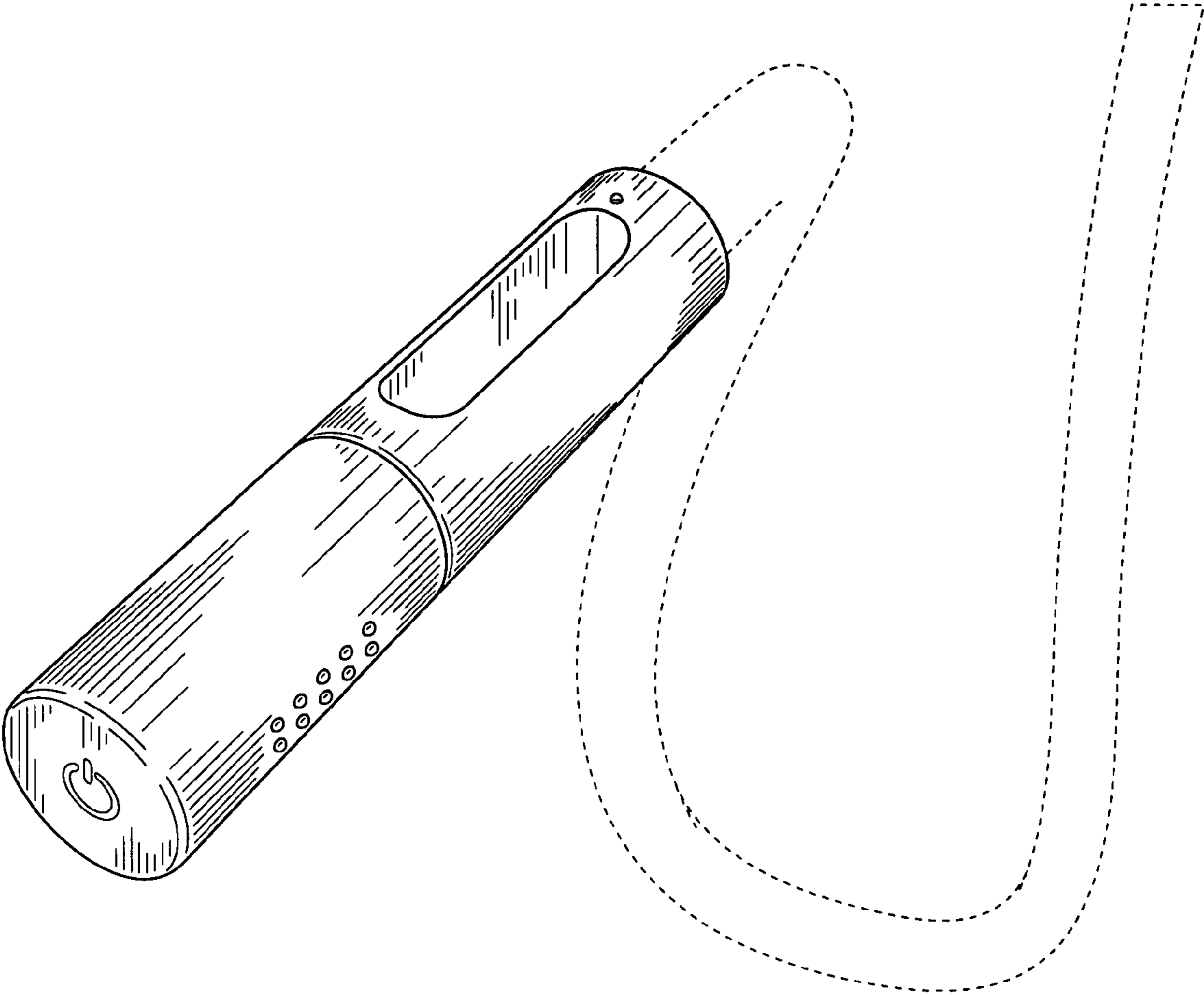


FIG. 1

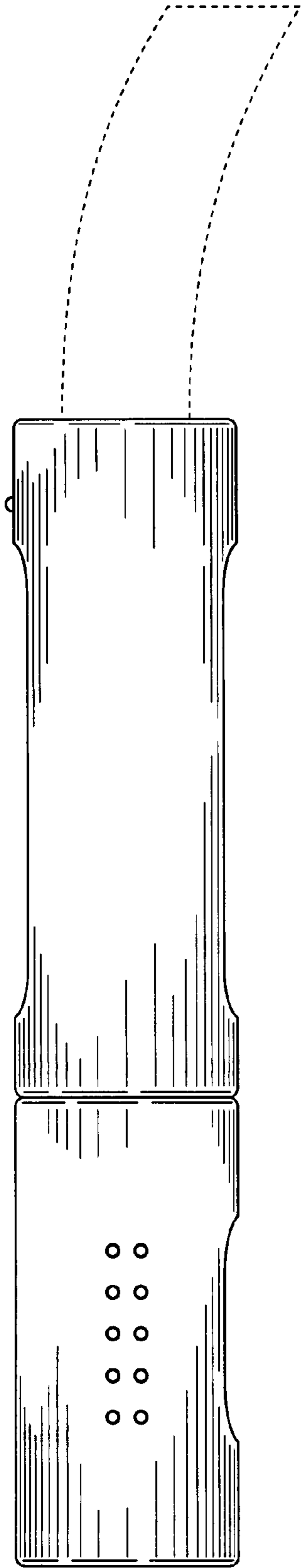


FIG. 2

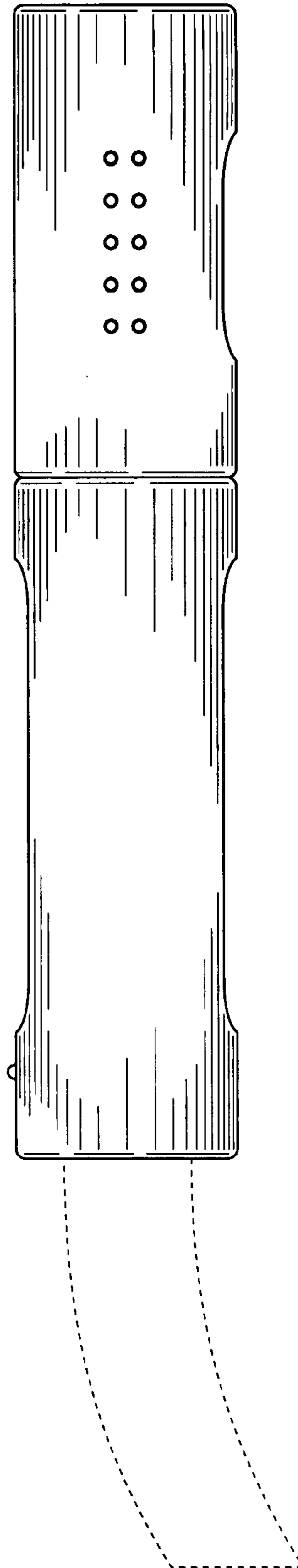


FIG. 3

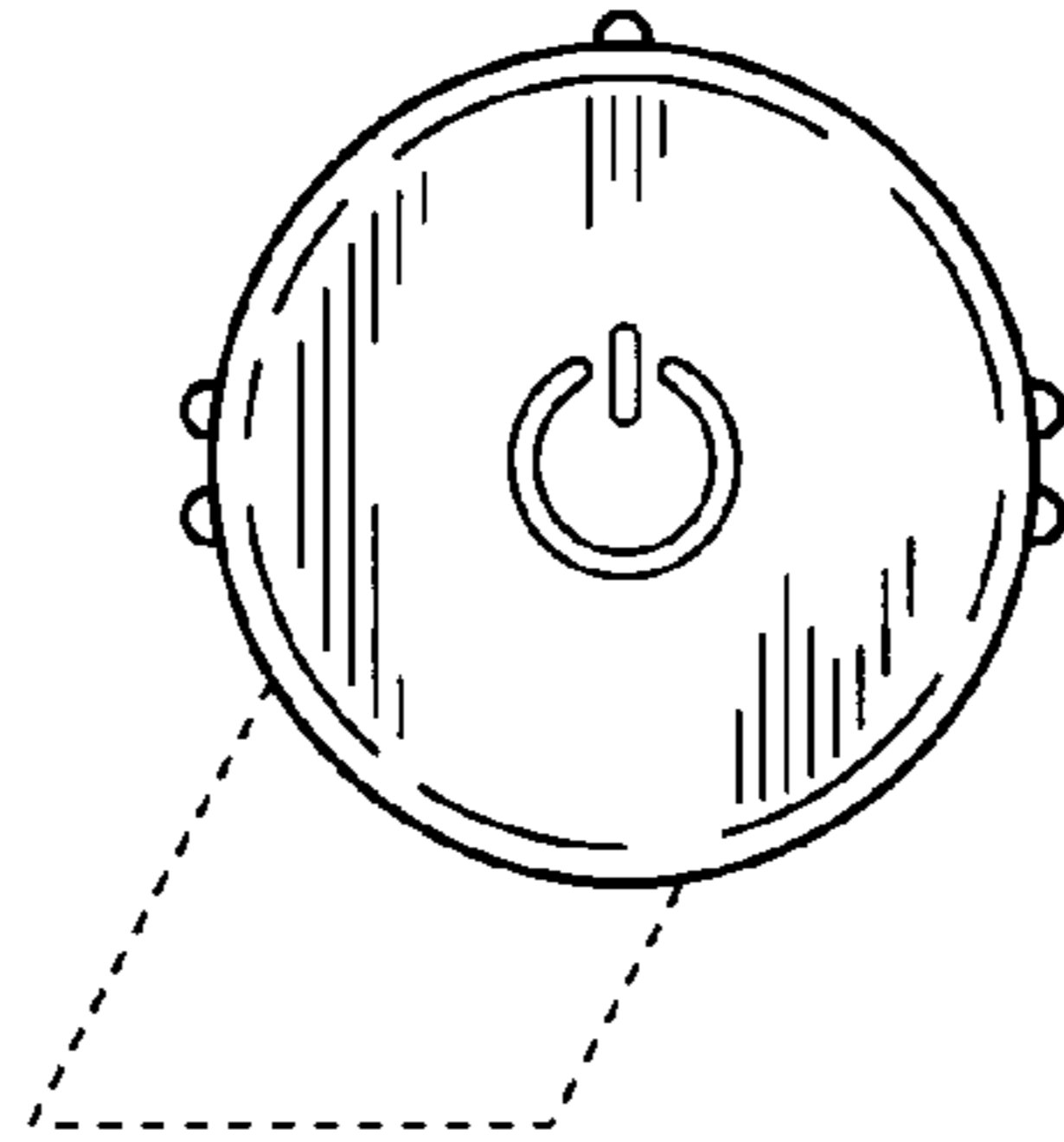


FIG. 4

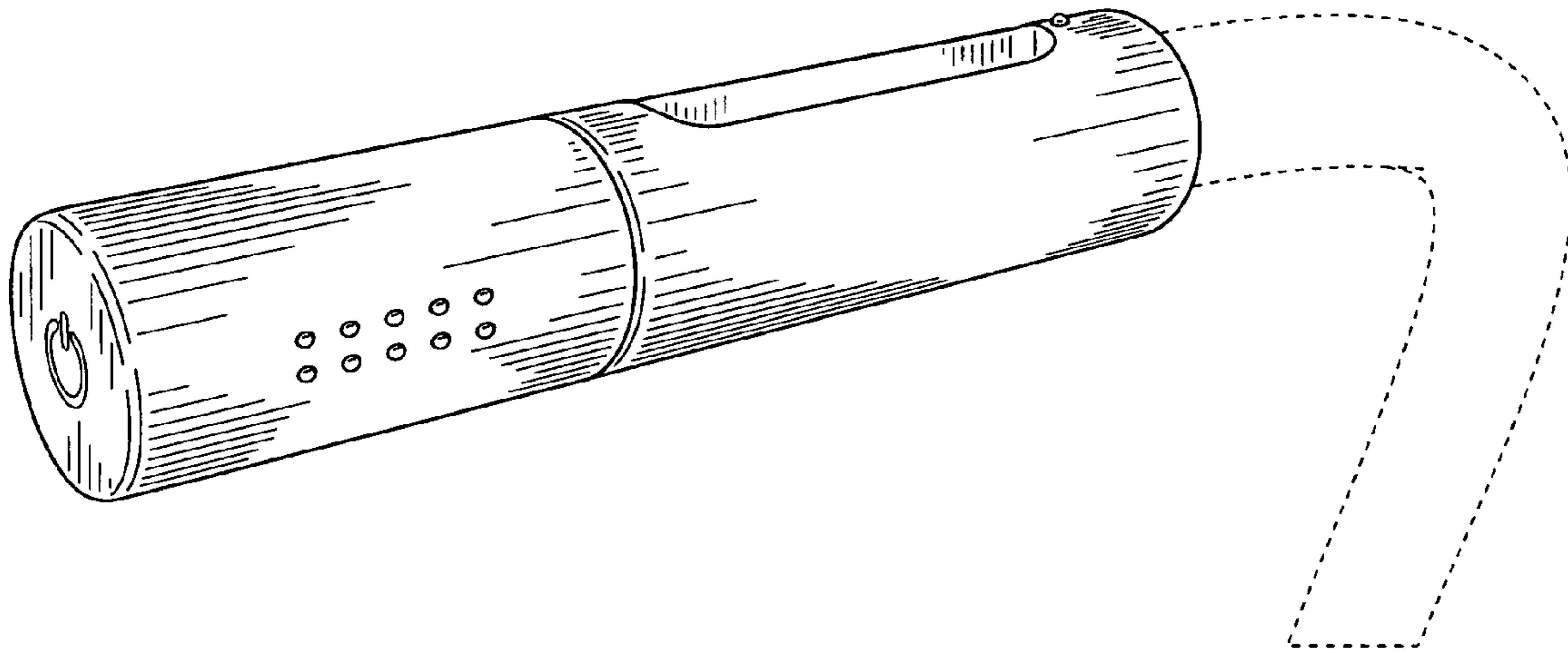


FIG. 5

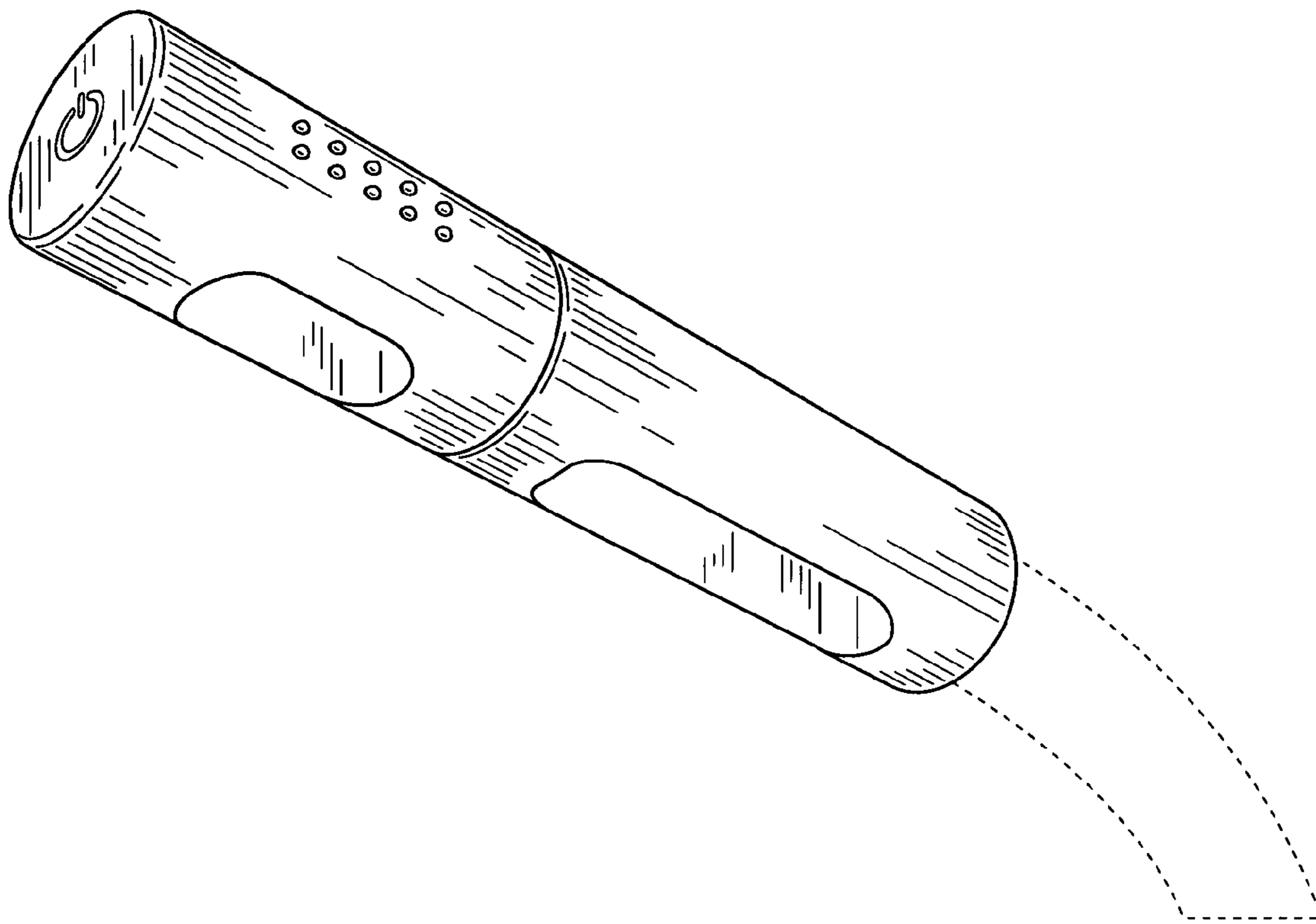


FIG. 6

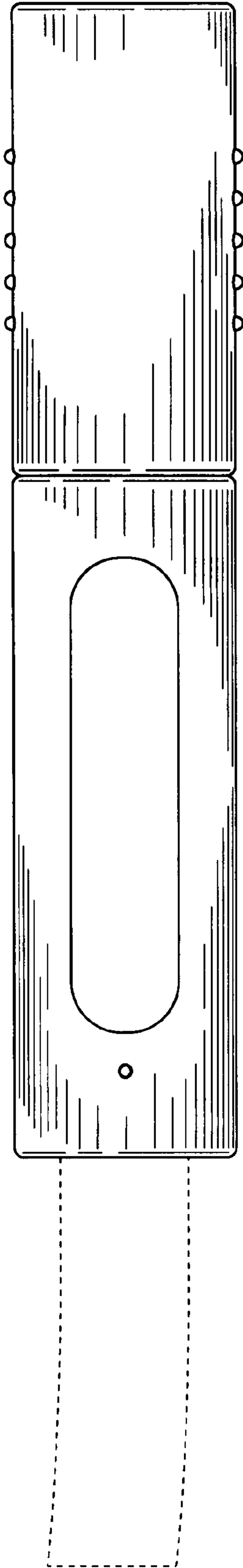


FIG. 7

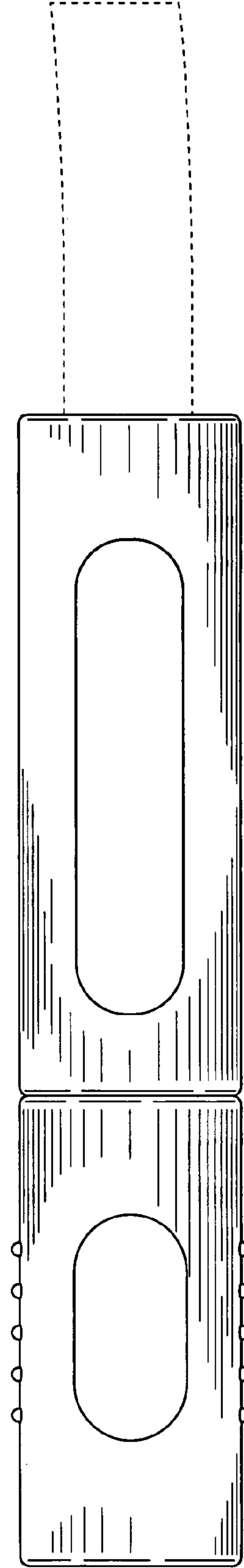


FIG. 8

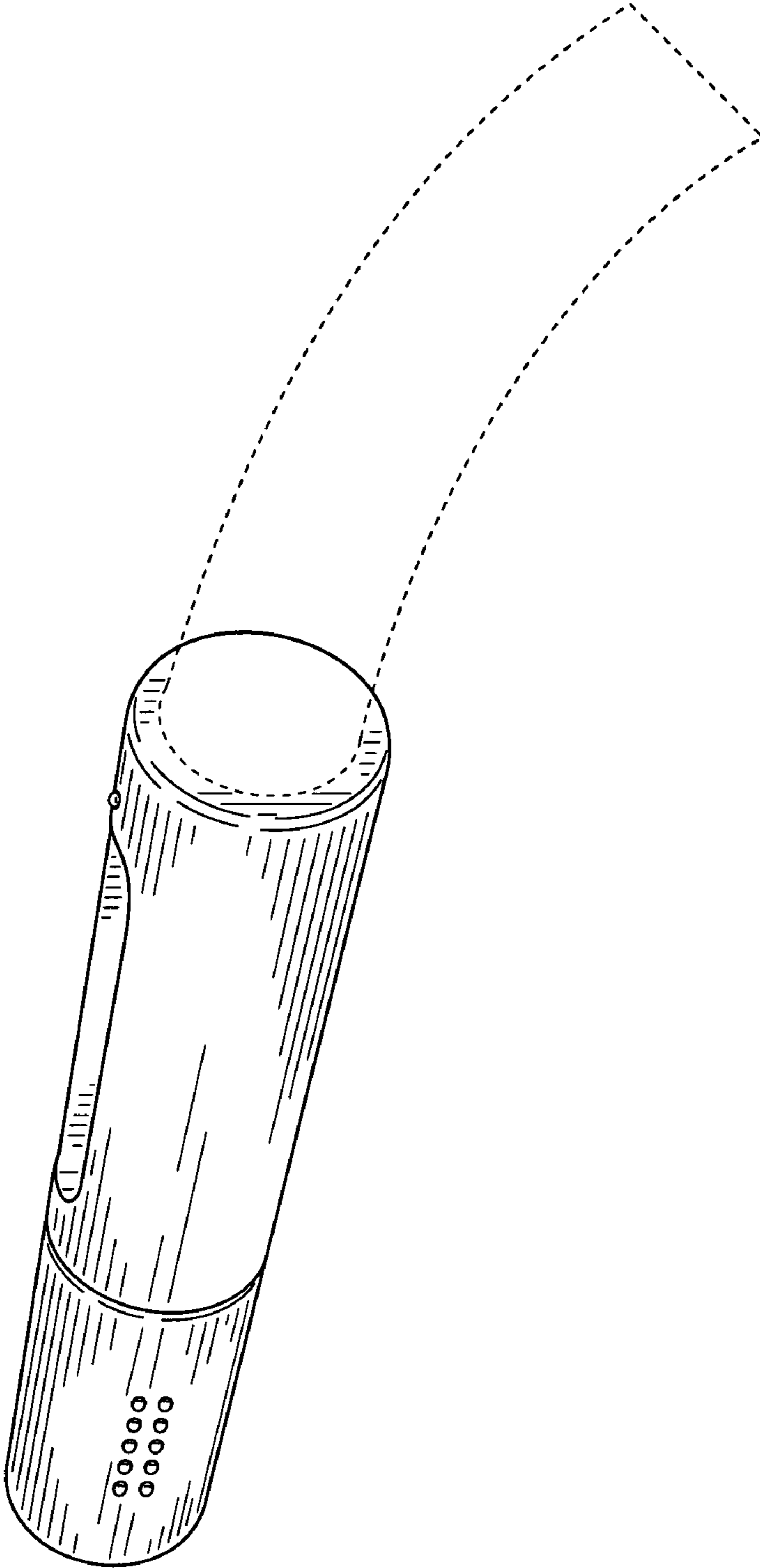


FIG. 9