

US00D560012S

(12) **United States Design Patent**
Liu

(10) **Patent No.:** **US D560,012 S**
(45) **Date of Patent:** **** Jan. 15, 2008**

(54) **FLASHLIGHT**

D536,118 S * 1/2007 Krieger et al. D26/49

(76) Inventor: **Yun-Zhao Liu**, No. 3, 2nd St.,
Hsinfeng Rd., Huangpu Township,
Zhongshan City, Guangdong Province
(CN)

* cited by examiner

Primary Examiner—Marcus A. Jackson
(74) *Attorney, Agent, or Firm*—Rosenberg, Klein & Lee

(**) Term: **14 Years**

(57) **CLAIM**

(21) Appl. No.: **29/287,159**

The ornamental design for a flashlight, as shown and described.

(22) Filed: **Jul. 5, 2007**

DESCRIPTION

(51) **LOC (8) Cl.** **26-02**

FIG. 1 is a perspective view of a flashlight showing my new design;

(52) **U.S. Cl.** **D26/49**

FIG. 2 is a front elevational view thereof;

(58) **Field of Classification Search** D26/37-50;
362/157, 158, 171-174, 183-208

FIG. 3 is a rear elevational view thereof;

See application file for complete search history.

FIG. 4 is a left side elevational view thereof;

(56) **References Cited**

FIG. 5 is a right side elevational view thereof;

U.S. PATENT DOCUMENTS

FIG. 6 is a top plan view thereof; and,

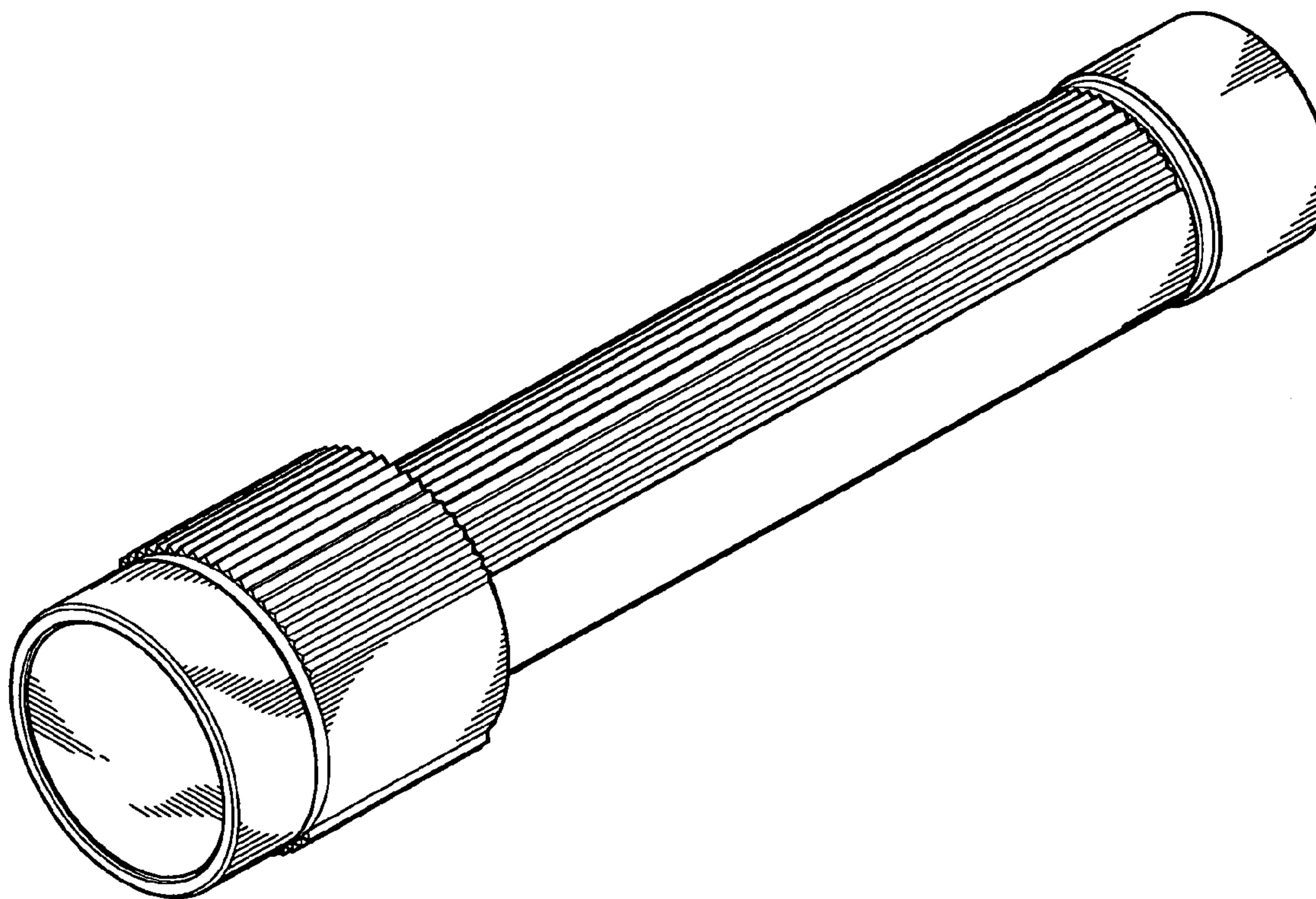
D331,982 S * 12/1992 George D26/49

FIG. 7 is a bottom plan view thereof.

D481,147 S * 10/2003 Yang D26/49

D496,115 S * 9/2004 Lin D26/49

1 Claim, 4 Drawing Sheets



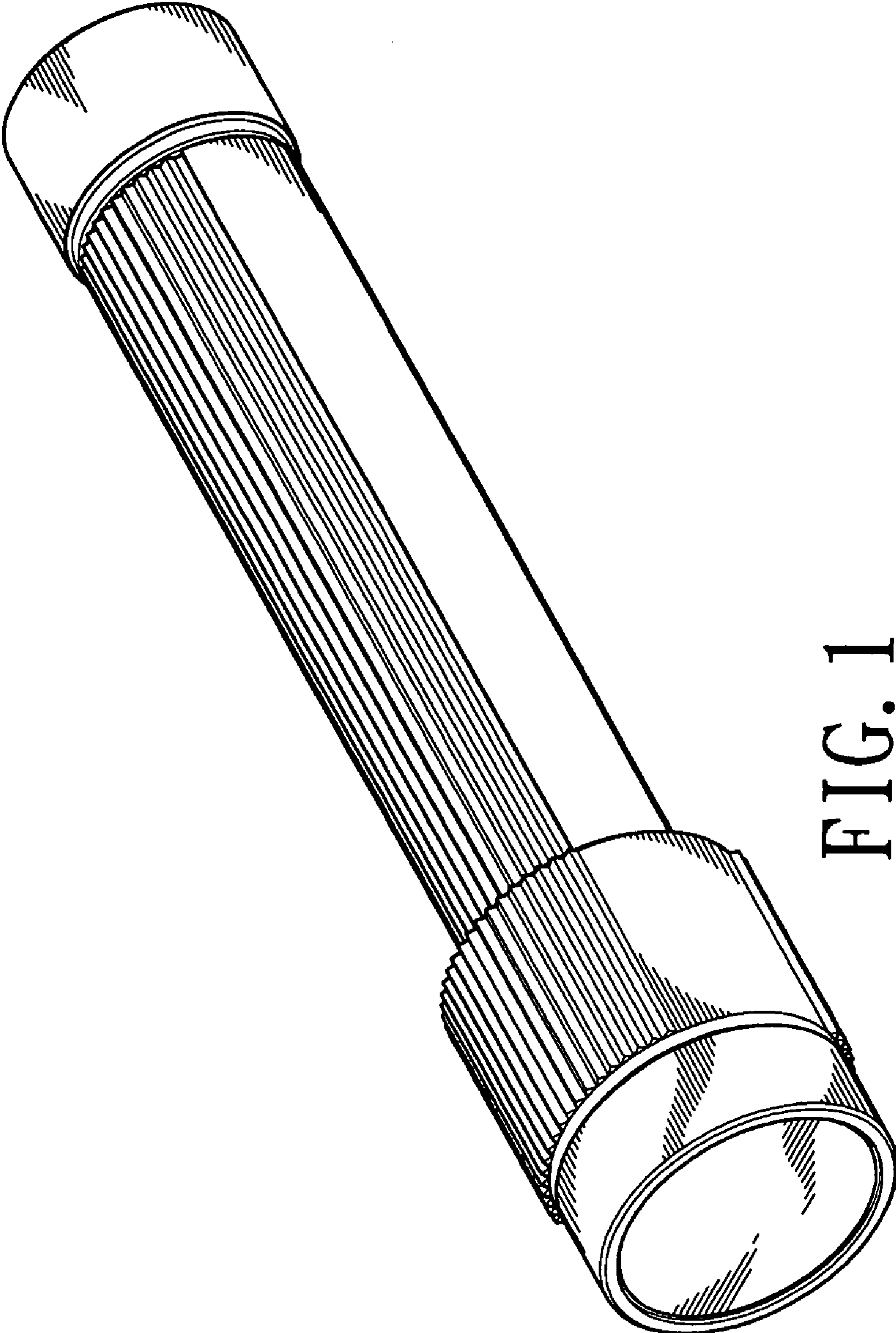


FIG. 1

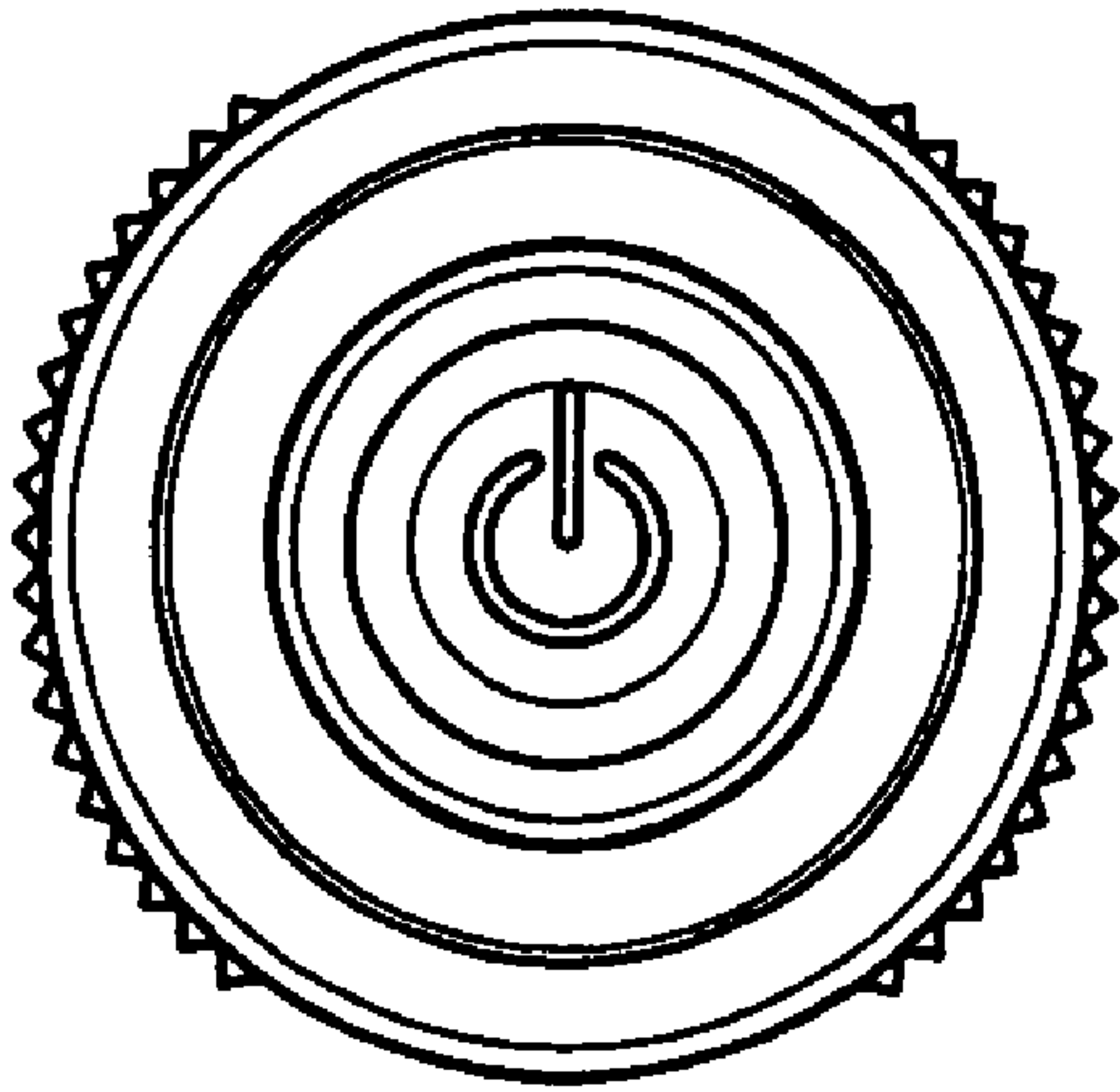


FIG. 3

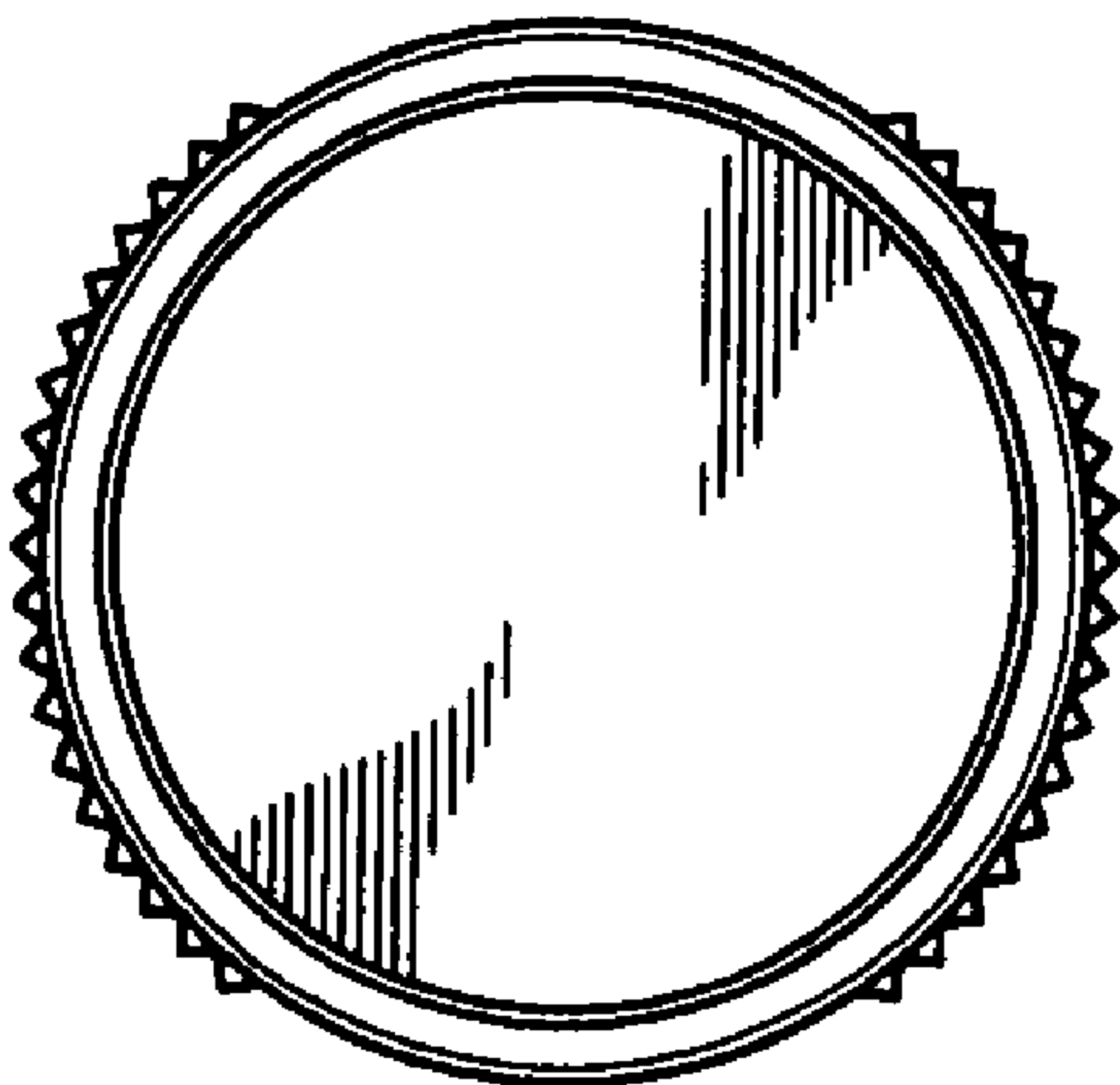


FIG. 2

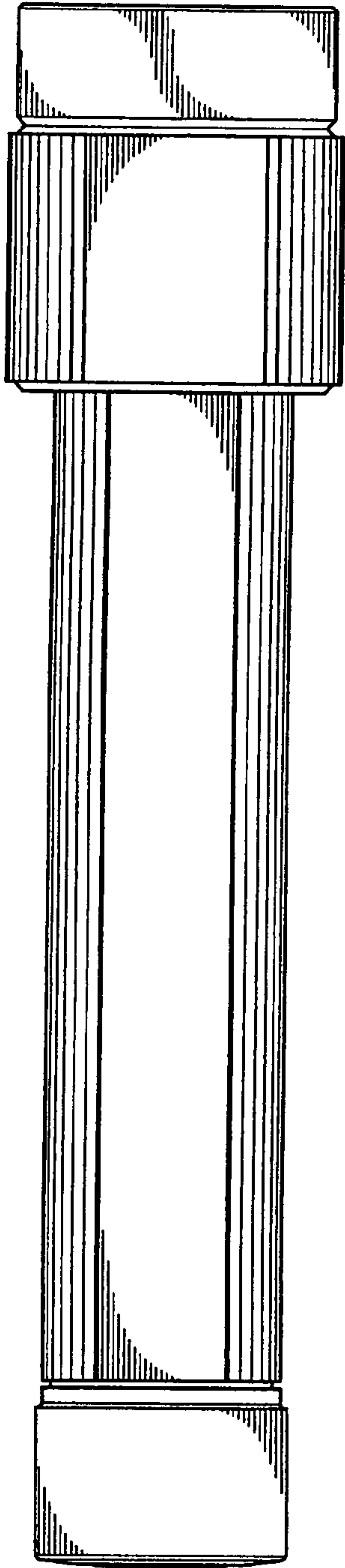


FIG. 4

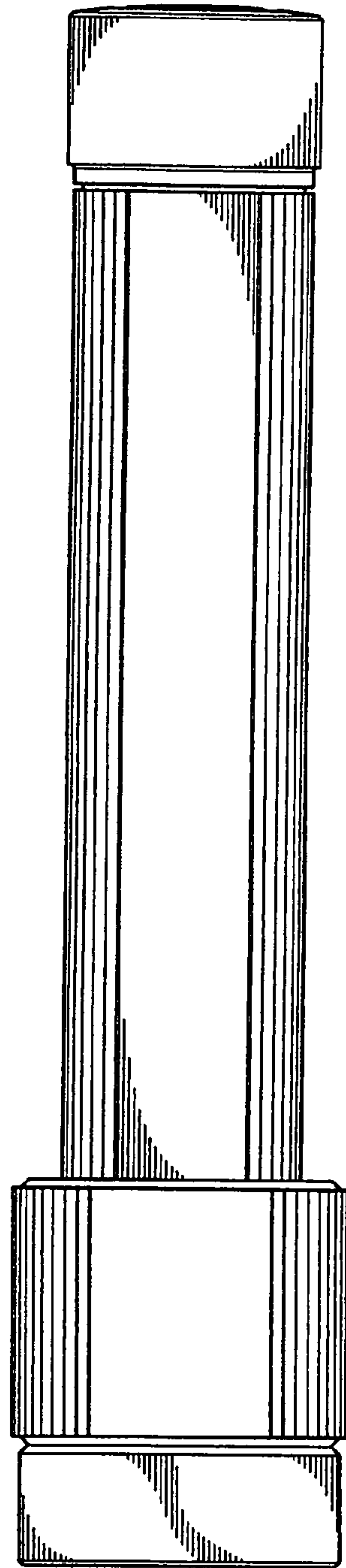


FIG. 5

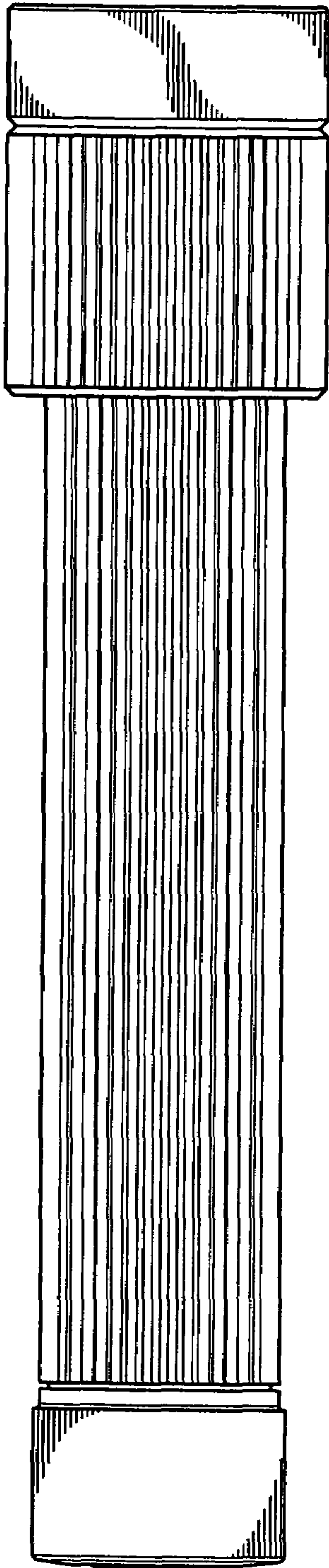


FIG. 7

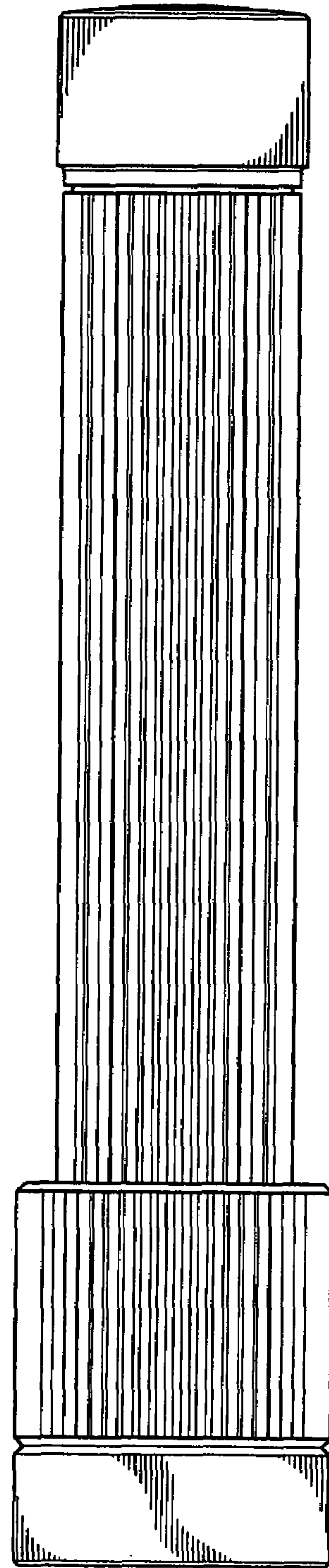


FIG. 6