



US00D560009S

(12) **United States Design Patent**  
**Spartano et al.**

(10) **Patent No.:** **US D560,009 S**

(45) **Date of Patent:** **\*\* Jan. 15, 2008**

(54) **HEADLAMP**

(75) Inventors: **David A. Spartano**, Brunswick, OH  
(US); **Angelo Kotsis**, Marrickville (AU)

(73) Assignee: **Eveready Battery Company, Inc.**, St.  
Louis, MO (US)

(\*\*) Term: **14 Years**

(21) Appl. No.: **29/281,276**

(22) Filed: **Jun. 20, 2007**

(51) **LOC (8) Cl.** ..... **26-02**

(52) **U.S. Cl.** ..... **D26/39**

(58) **Field of Classification Search** ..... D26/37-50;  
362/157, 158, 171-174, 183-208  
See application file for complete search history.

(56) **References Cited**

U.S. PATENT DOCUMENTS

|              |         |                |       |        |
|--------------|---------|----------------|-------|--------|
| D383,229 S * | 9/1997  | Kiichiro       | ..... | D26/39 |
| D405,202 S   | 2/1999  | Fattori et al. |       |        |
| D406,371 S * | 3/1999  | Van Der Bel    | ..... | D26/39 |
| D447,587 S   | 9/2001  | Poon           |       |        |
| D470,615 S   | 2/2003  | Janice et al.  |       |        |
| D482,811 S   | 11/2003 | Petzl          |       |        |
| D489,838 S * | 5/2004  | Opolka         | ..... | D26/39 |
| D503,817 S * | 4/2005  | Shiu           | ..... | D26/39 |
| D506,846 S   | 6/2005  | Kang et al.    |       |        |

|                 |         |               |       |        |
|-----------------|---------|---------------|-------|--------|
| D520,162 S *    | 5/2006  | Shiu          | ..... | D26/39 |
| D528,239 S      | 9/2006  | Petzl         |       |        |
| D532,537 S      | 11/2006 | Shiu          |       |        |
| D539,952 S *    | 4/2007  | Iranyi et al. | ..... | D26/39 |
| D547,475 S      | 7/2007  | Xu            |       |        |
| D549,372 S      | 8/2007  | Lee           |       |        |
| 2006/0087842 A1 | 4/2006  | Alessio       |       |        |

\* cited by examiner

*Primary Examiner*—Marcus A. Jackson

(74) *Attorney, Agent, or Firm*—Gregory J. Adams

(57) **CLAIM**

We claim the ornamental design for a headlamp, as shown and described.

**DESCRIPTION**

FIG. 1 is a front perspective view of a headlamp, showing our new design;

FIG. 2 is a front view thereof;

FIG. 3 is a left side view thereof;

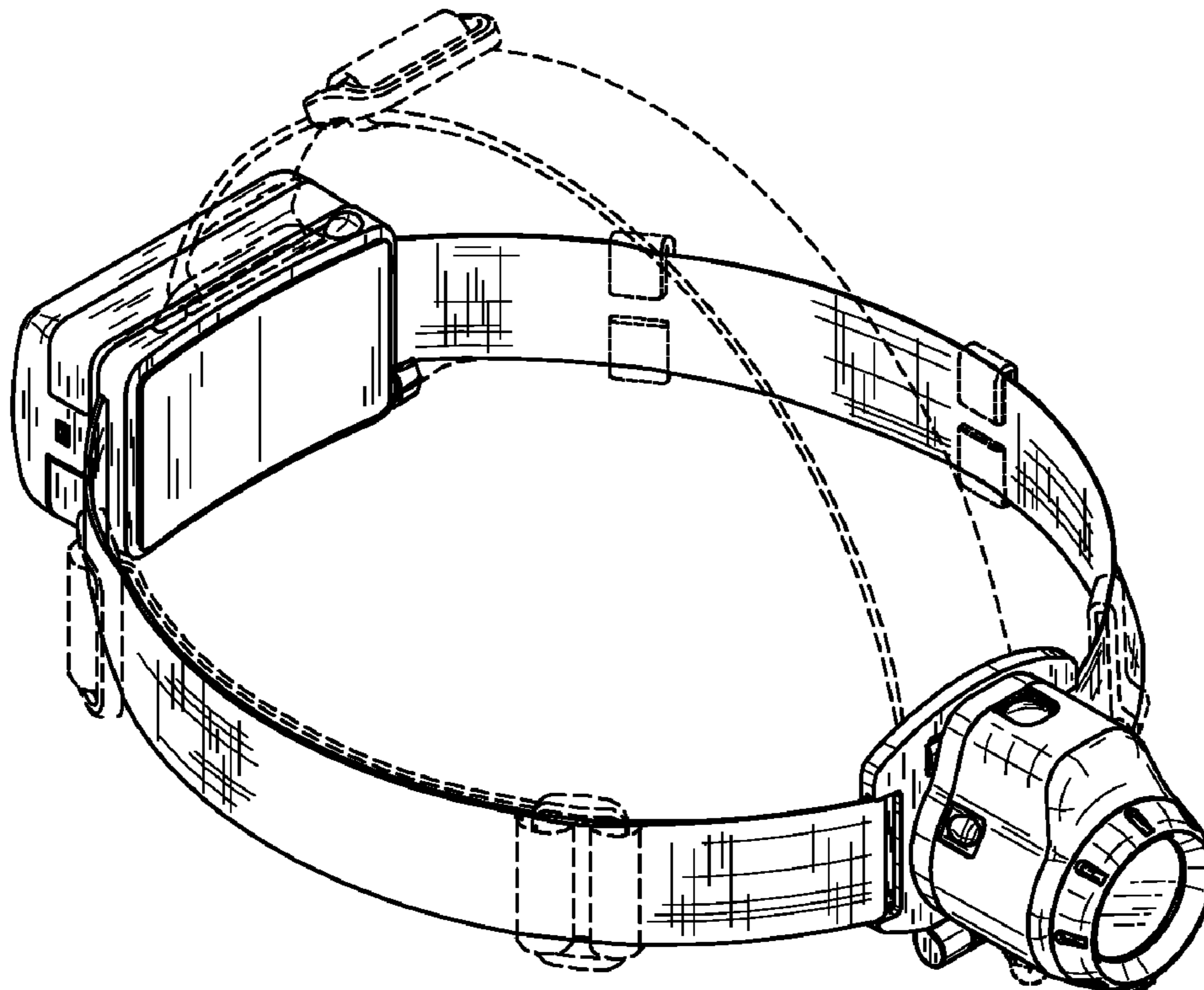
FIG. 4 is a rear view thereof;

FIG. 5 is a right side view thereof;

FIG. 6 is a top view thereof; and,

FIG. 7 is a bottom view thereof.

**1 Claim, 4 Drawing Sheets**



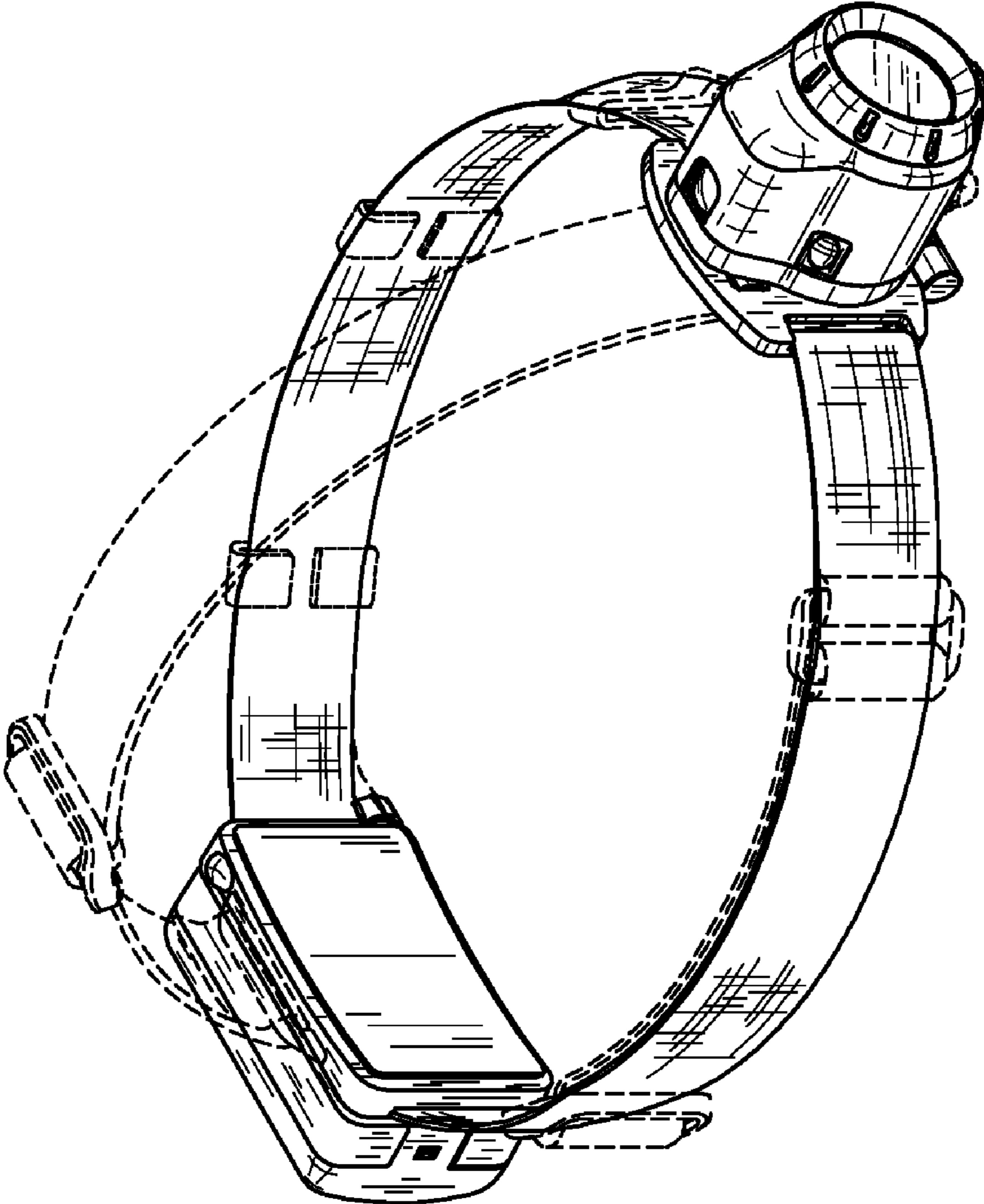


FIG. 1

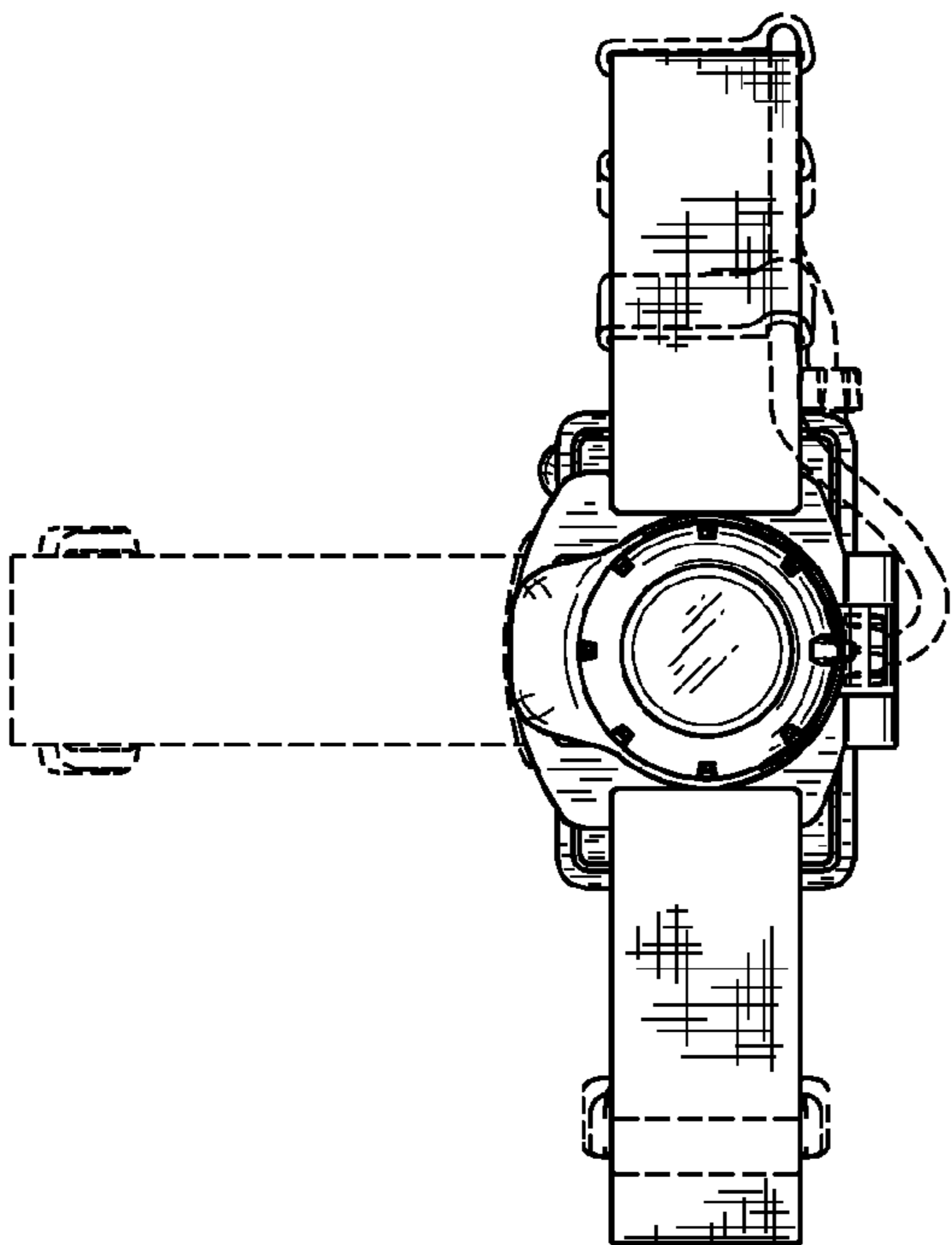


FIG. 2

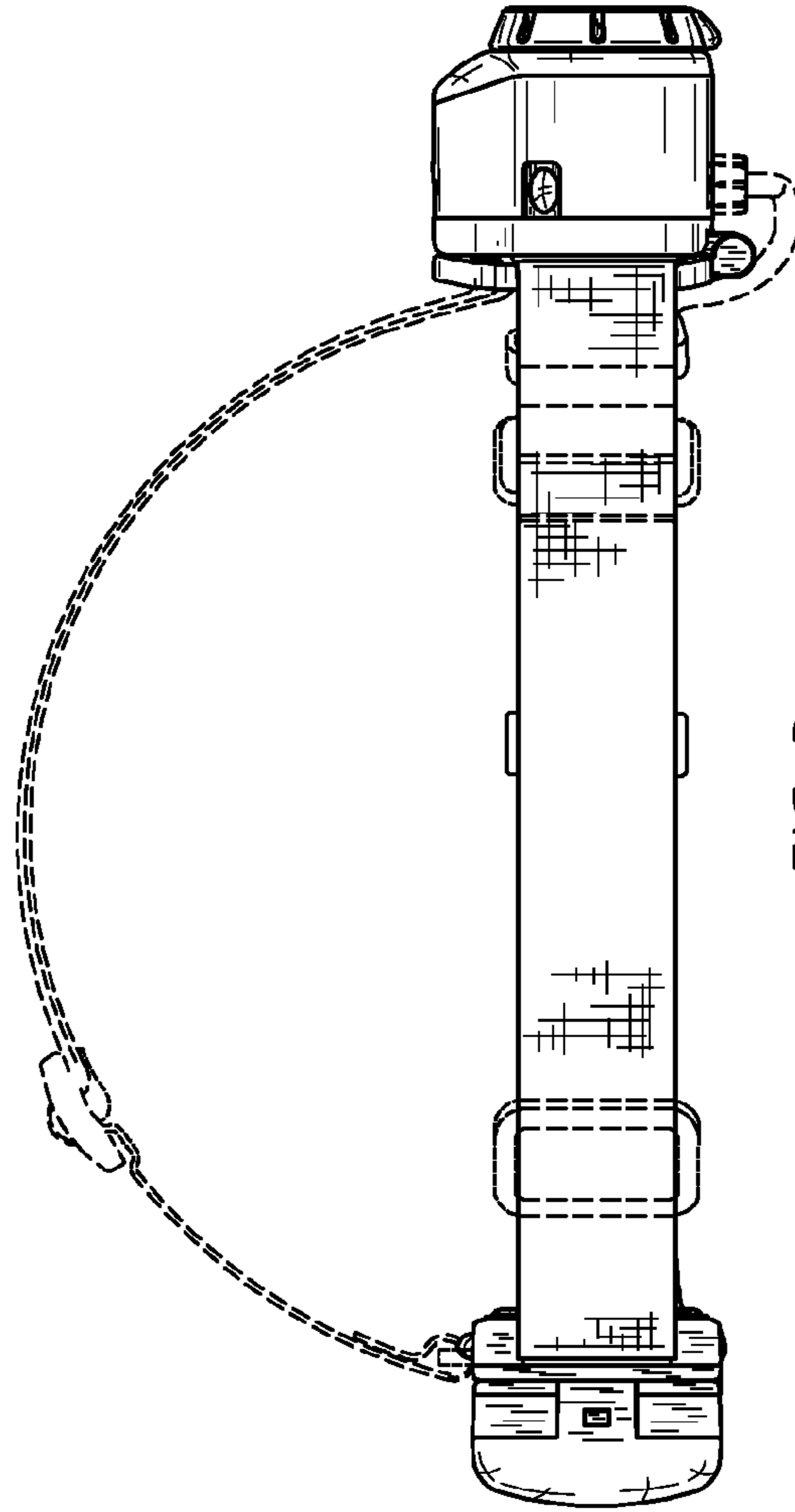


FIG. 3

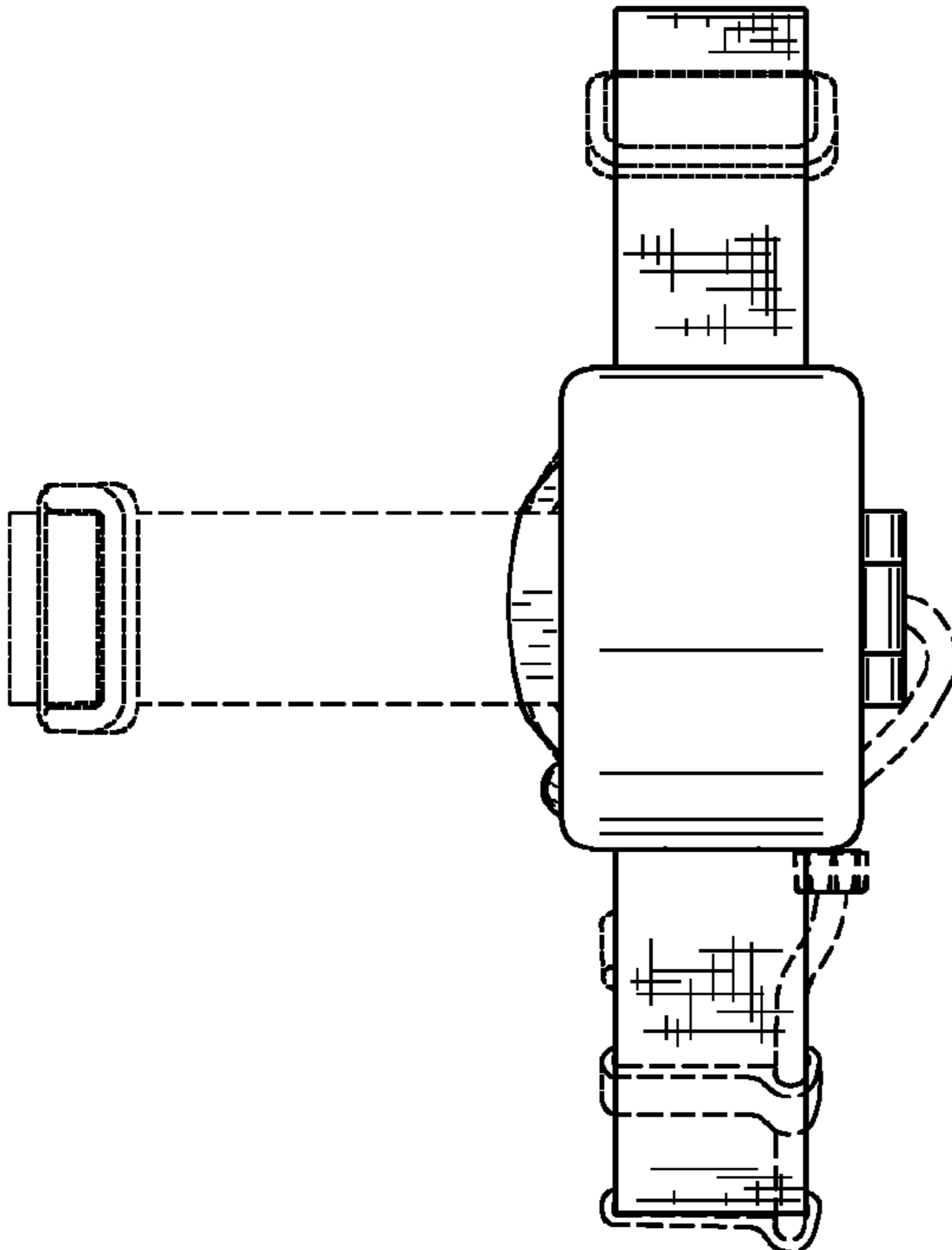


FIG. 4

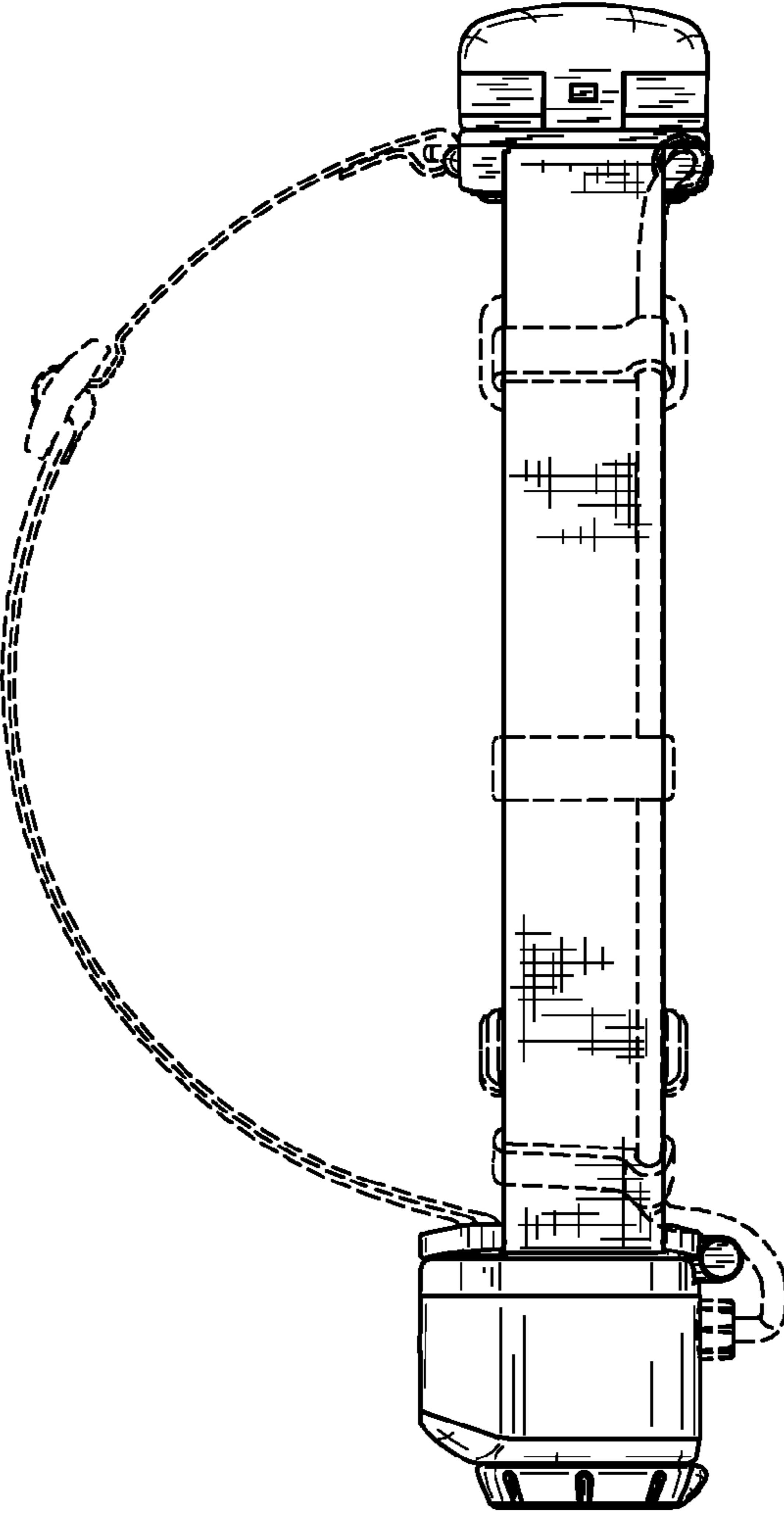


FIG. 5

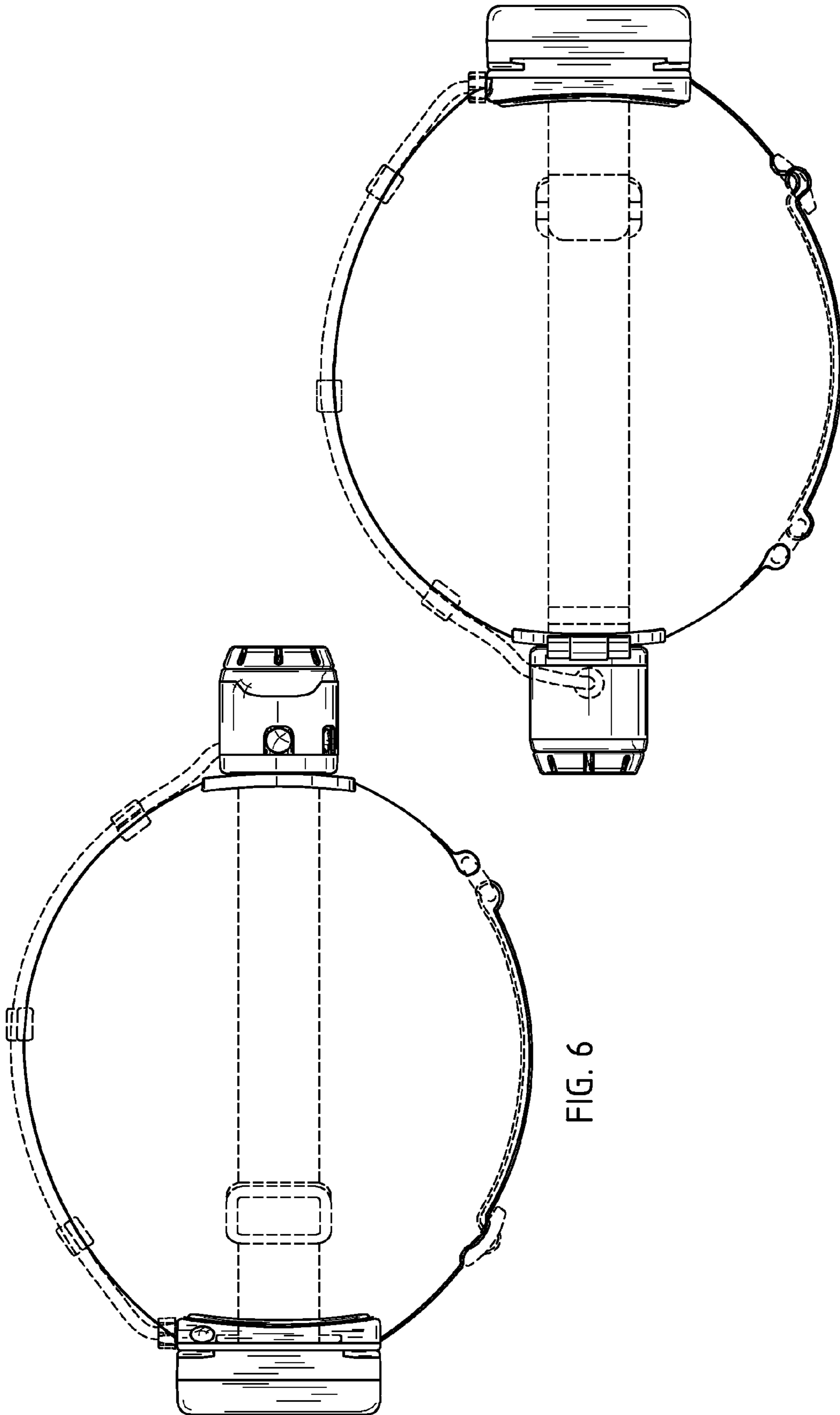


FIG. 6

FIG. 7