



US00D560008S

(12) **United States Design Patent**
Poon

(10) **Patent No.:** **US D560,008 S**

(45) **Date of Patent:** **** Jan. 15, 2008**

(54) **HEADLIGHT**

D542,450 S * 5/2007 Shiu D26/60

(75) Inventor: **Tit Wing Poon**, New Territories (HK)

* cited by examiner

(73) Assignee: **Flying Dragon Development Limited**,
New Territories (HK)

Primary Examiner—Marcus A. Jackson
(74) *Attorney, Agent, or Firm*—Intellectual Property Law
Group LLP; Otto O. Lee; Juneko Jackson

(**) Term: **14 Years**

(21) Appl. No.: **29/279,769**

(22) Filed: **May 7, 2007**

(30) **Foreign Application Priority Data**

Mar. 2, 2007 (HK) 0700593

(51) **LOC (8) Cl.** **26-02**

(52) **U.S. Cl.** **D26/39**

(58) **Field of Classification Search** D26/37-50;
362/157, 158, 171-174, 183-208
See application file for complete search history.

(56) **References Cited**

U.S. PATENT DOCUMENTS

D477,680 S * 7/2003 Petzl D26/39
D520,656 S * 5/2006 Shiu D26/28
D527,127 S * 8/2006 Petzl D26/39
D532,538 S * 11/2006 Yuen D26/39

(57) **CLAIM**

The ornamental design for a headlight, as shown and described.

DESCRIPTION

FIG. 1 is a front elevational view of a headlight embodying my new design;

FIG. 2 is a rear elevational view thereof;

FIG. 3 is a left side elevational view thereof;

FIG. 4 is a right side elevational view thereof;

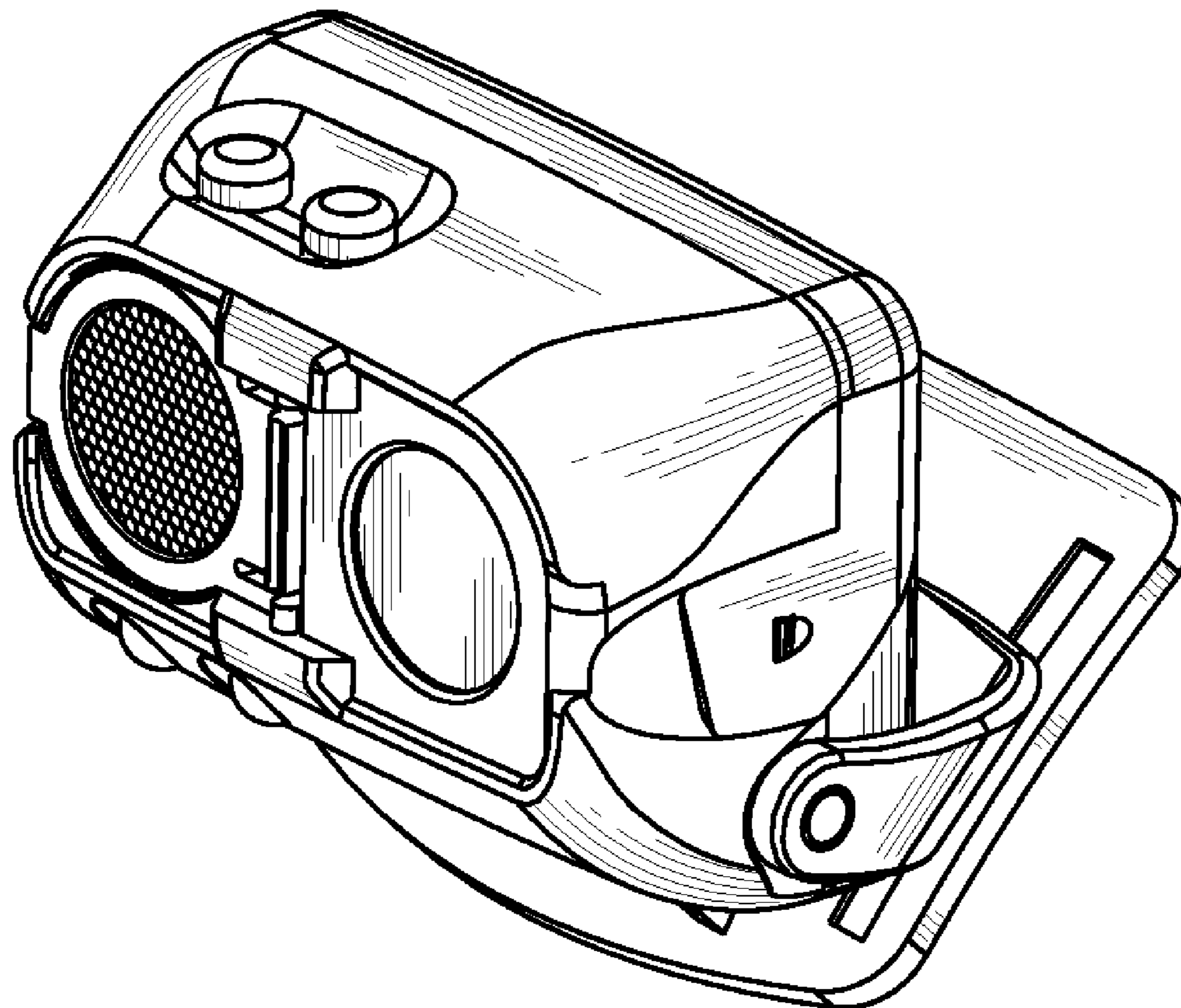
FIG. 5 is a top plan view thereof;

FIG. 6 is a bottom plan view thereof;

FIG. 7 is a perspective view thereof; and,

FIG. 8 is a perspective view thereof with the bracket in an alternative position.

1 Claim, 2 Drawing Sheets



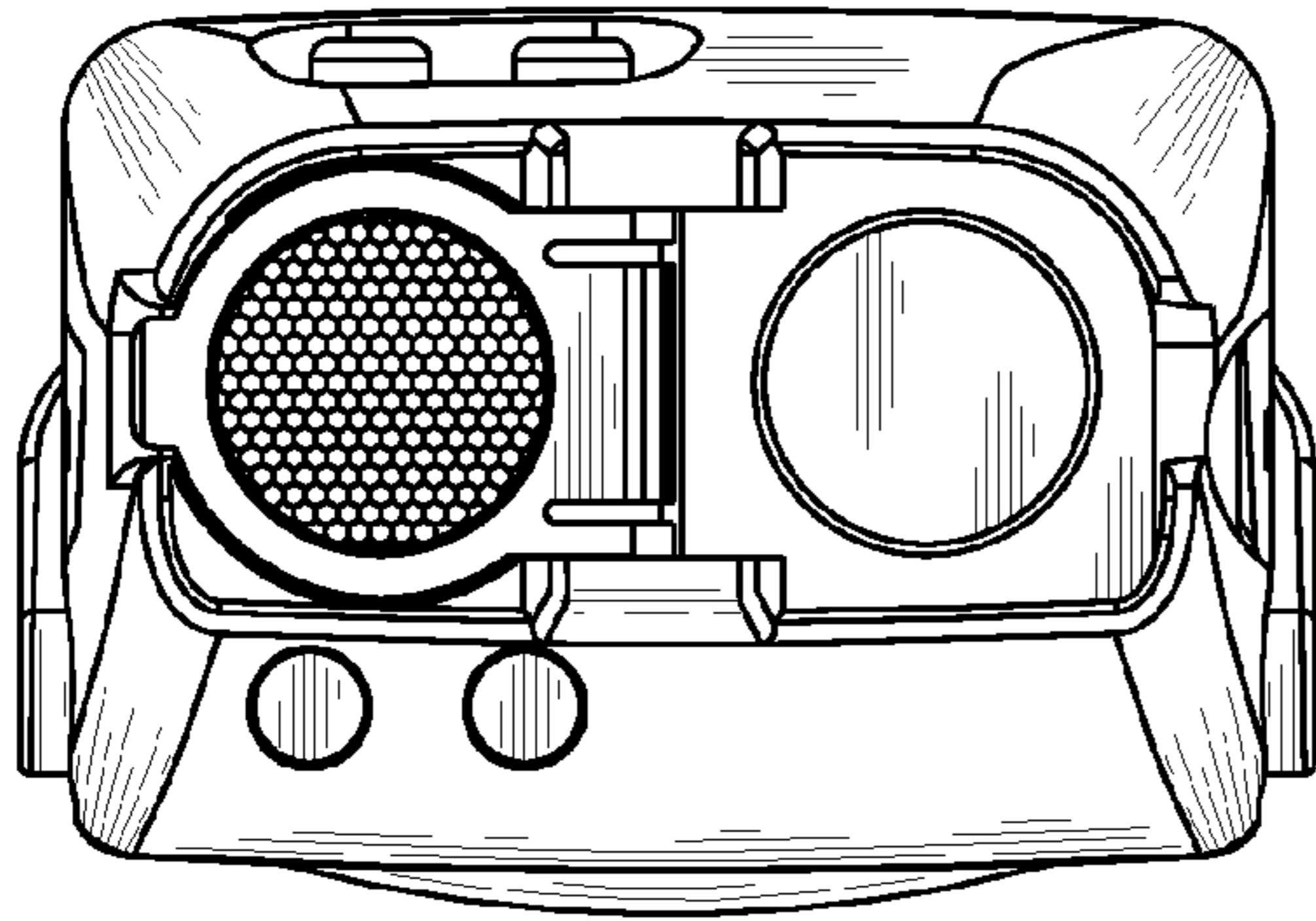


FIG. 1

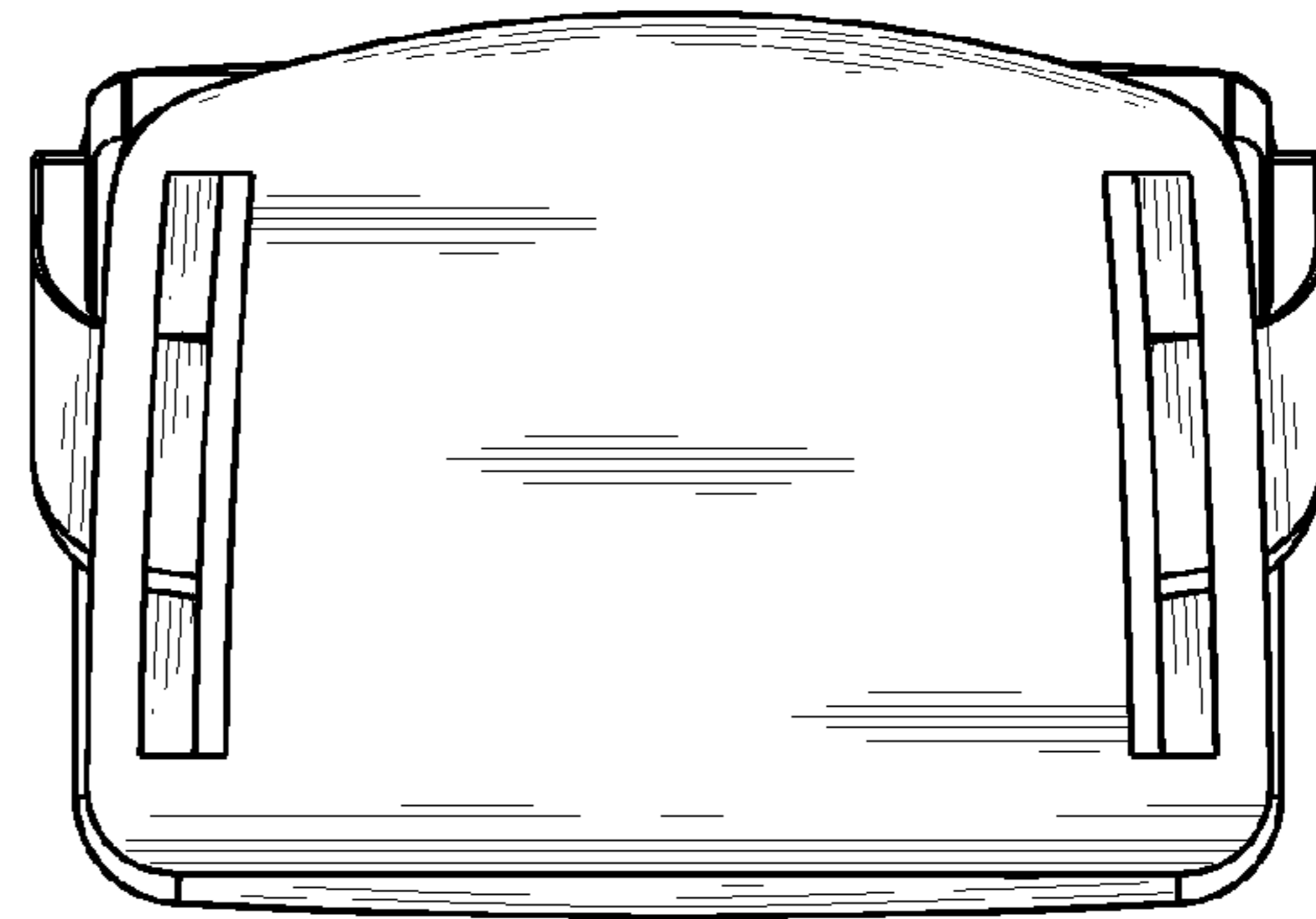


FIG. 2

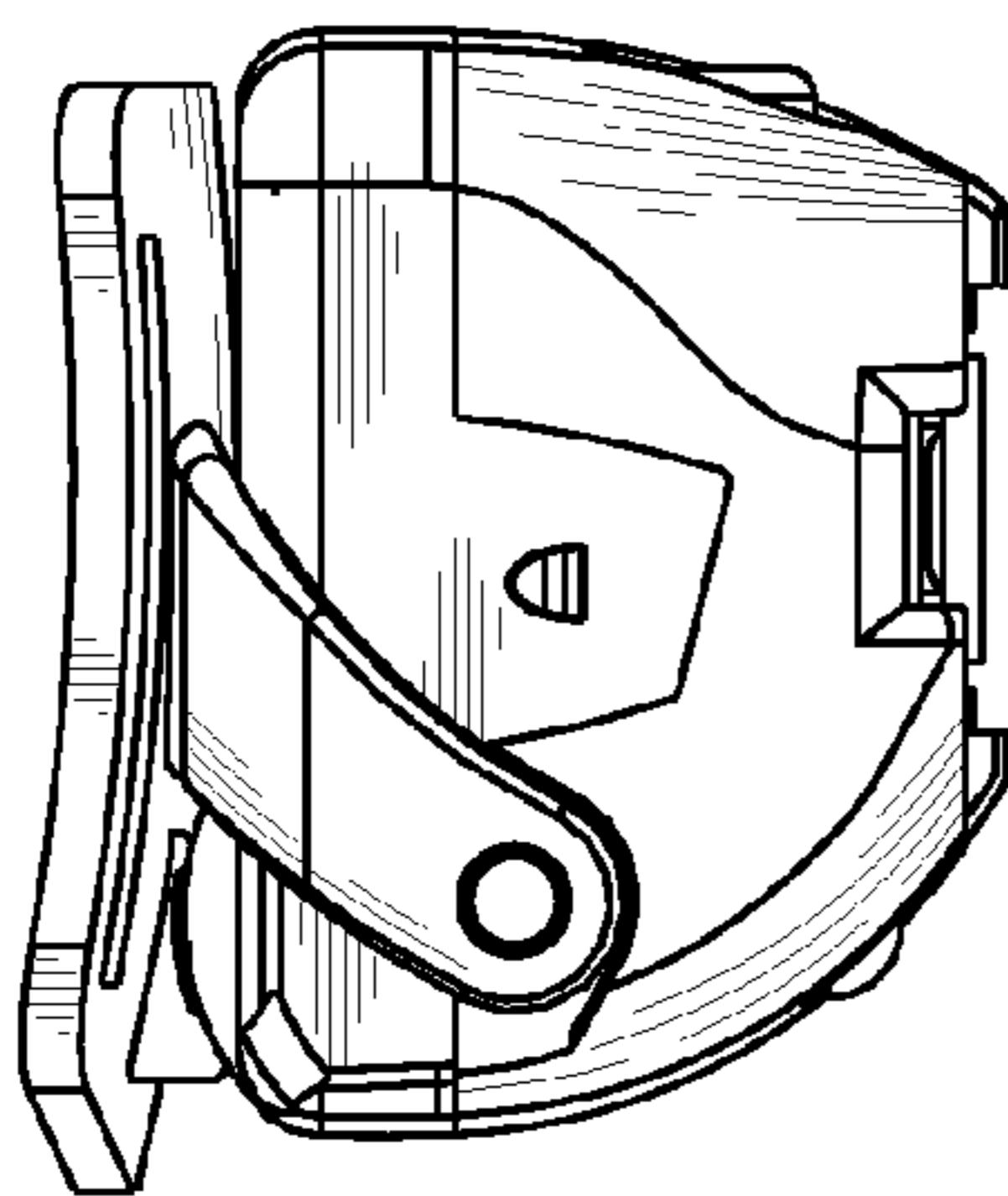


FIG. 3

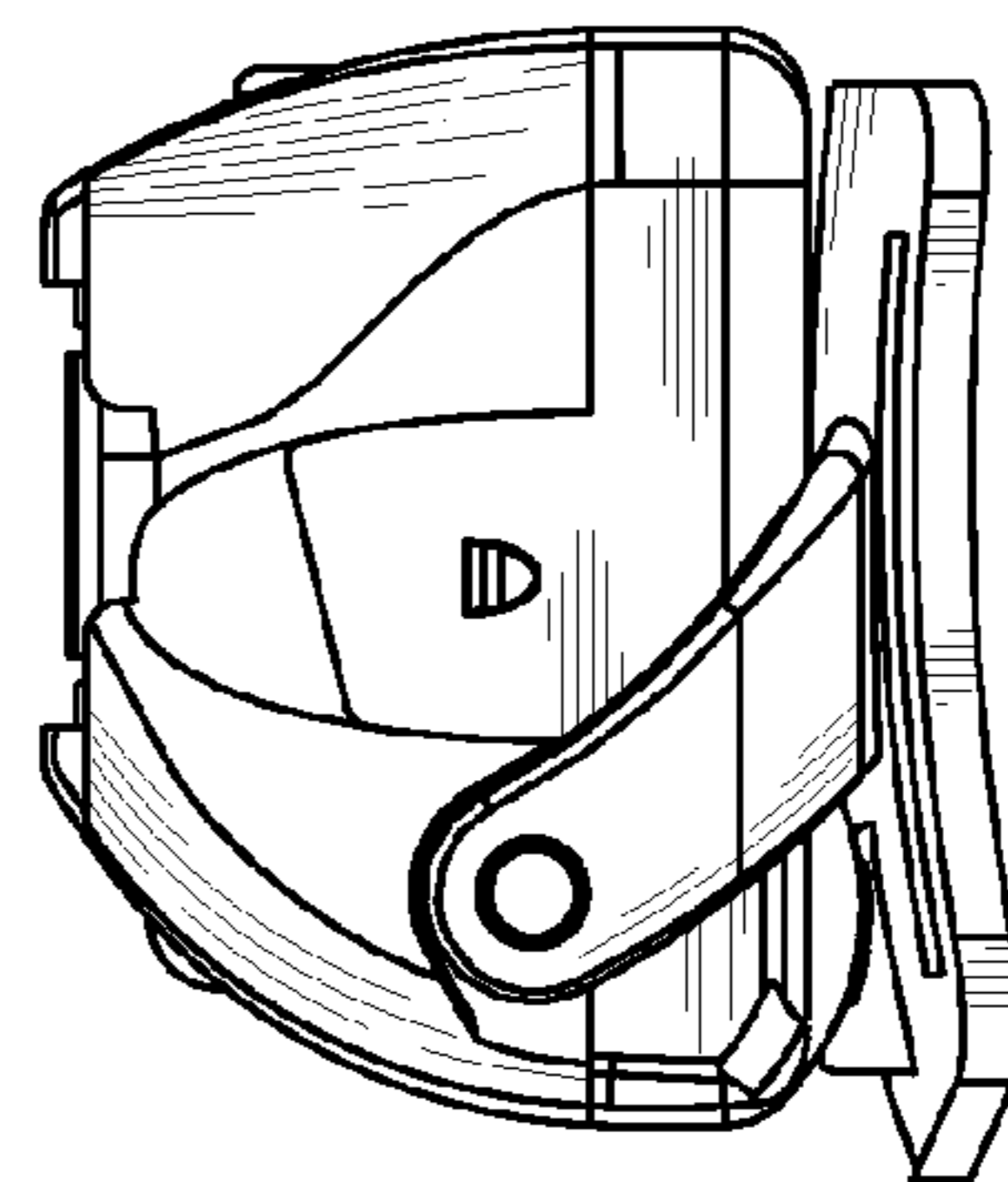


FIG. 4

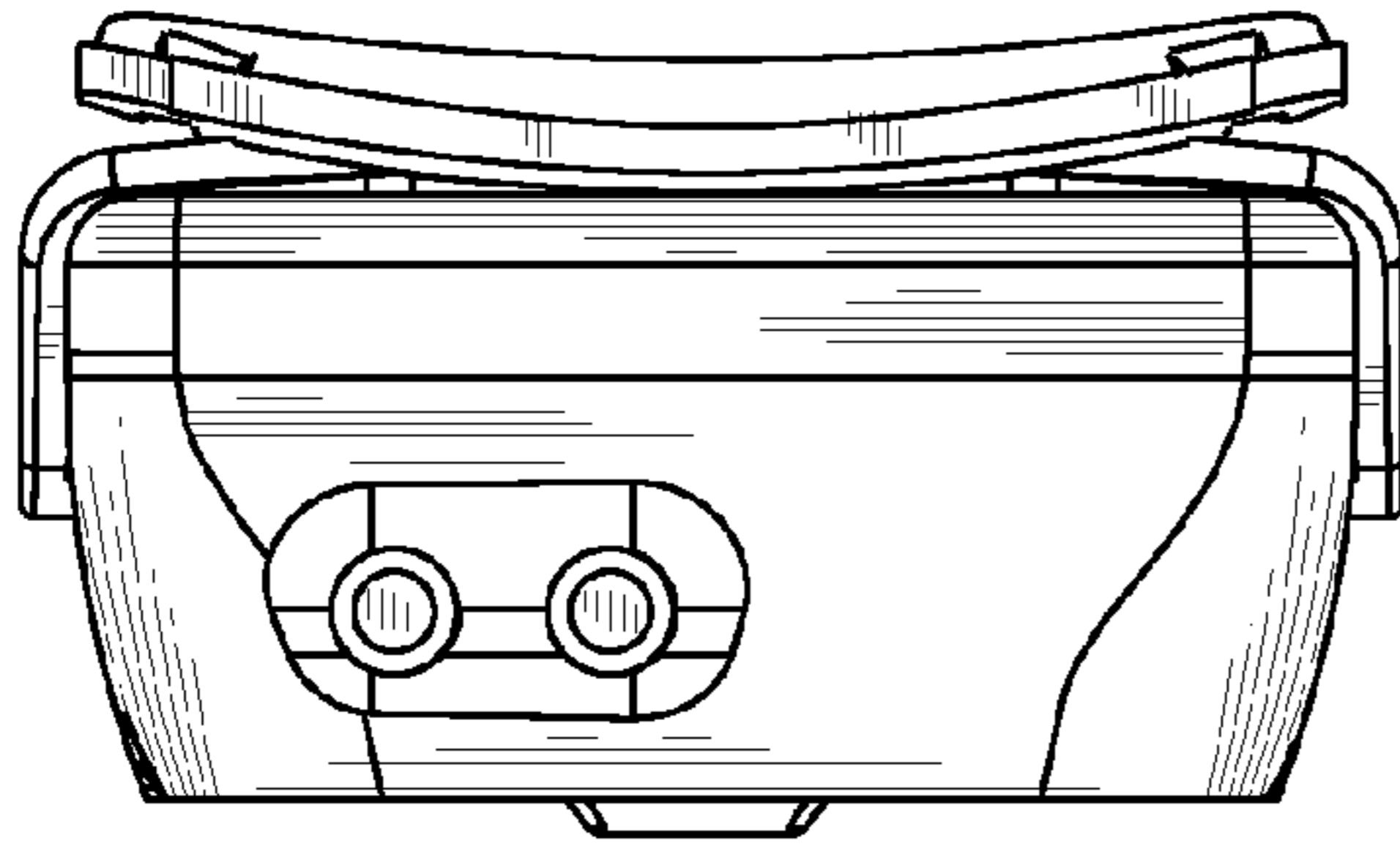


FIG. 5

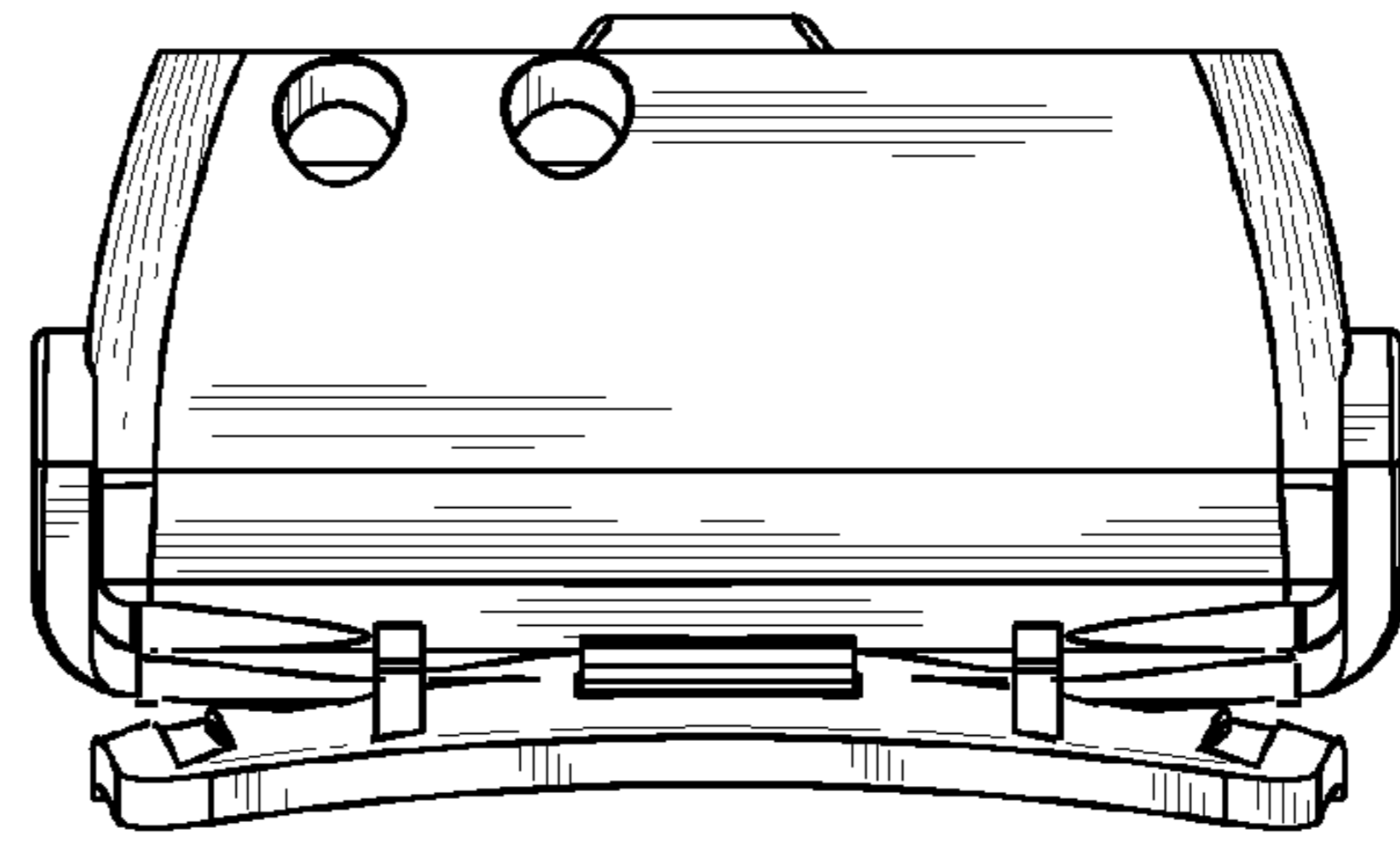


FIG. 6

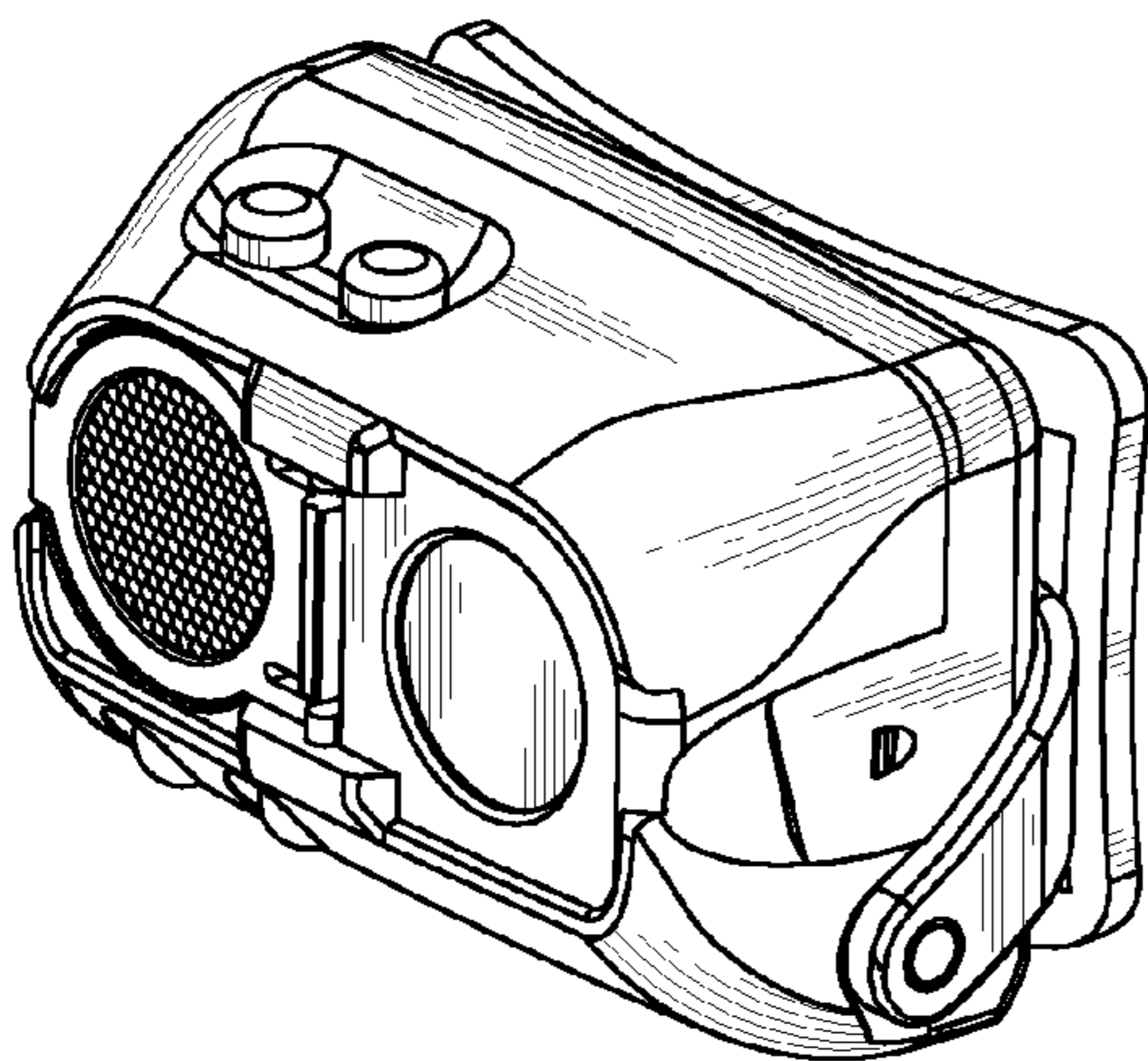


FIG. 7

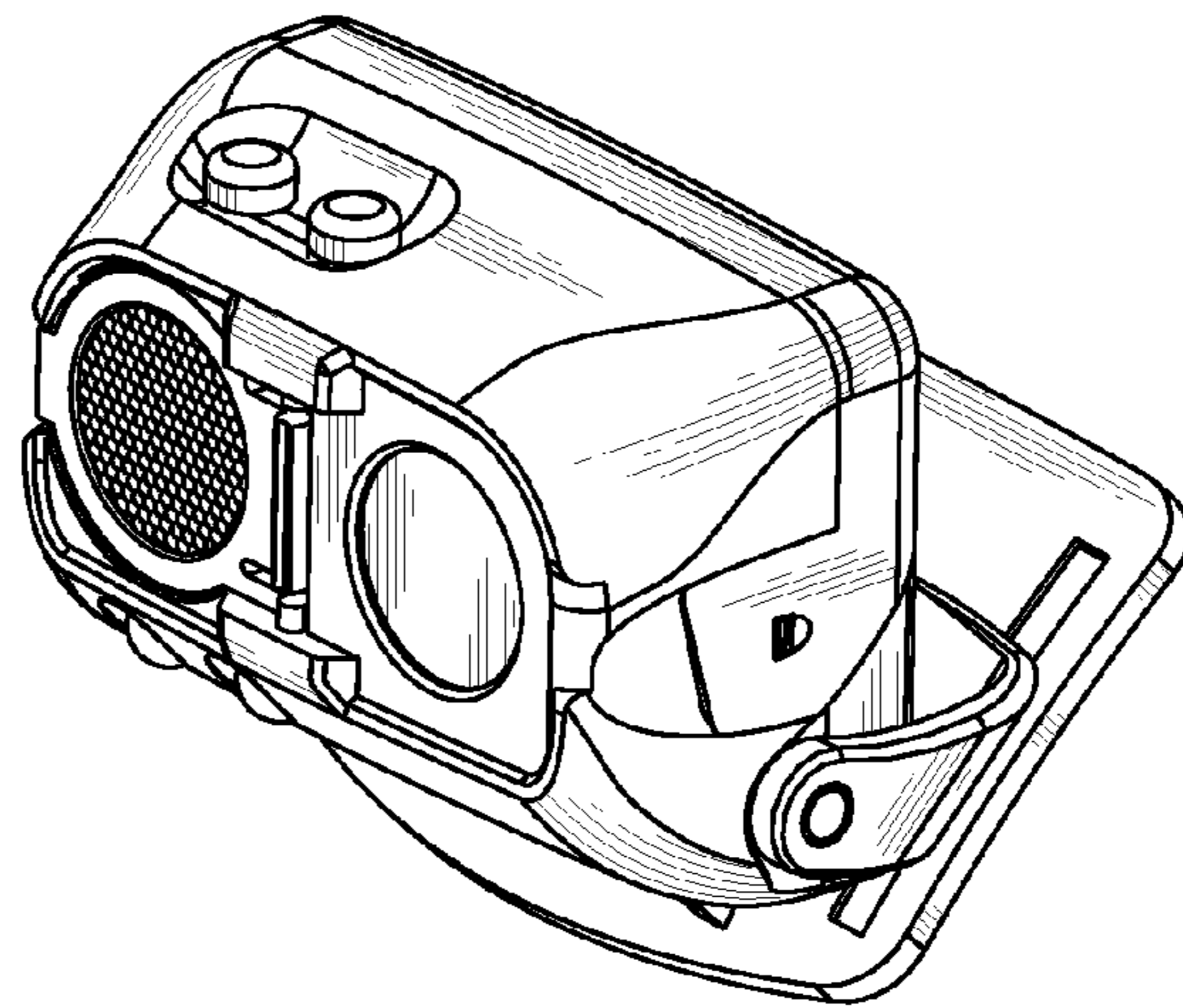


FIG. 8