



US00D560006S

(12) **United States Design Patent**
Garner et al.

(10) **Patent No.:** **US D560,006 S**

(45) **Date of Patent:** **** Jan. 15, 2008**

(54) **REMINDER LIGHT**

D498,552 S * 11/2004 Chen D26/37
D528,224 S * 9/2006 Sugita et al. D26/1
D544,622 S * 6/2007 Cheng D26/46

(75) Inventors: **Mike Garner**, North Barrington, IL (US); **Scott Harold Wilson**, Chicago, IL (US); **Giles David Matthew McWilliam**, Chicago, IL (US); **Marc Rene Walliser**, Chicago, IL (US)

* cited by examiner

Primary Examiner—Marcus A. Jackson
(74) *Attorney, Agent, or Firm*—Warner Norcross & Judd

(73) Assignee: **Light Corporation**, Grand Haven, MI (US)

(57) **CLAIM**

(**) Term: **14 Years**

The ornamental design for a reminder light, as shown and described.

(21) Appl. No.: **29/280,931**

DESCRIPTION

(22) Filed: **Jun. 9, 2007**

FIG. 1 is a perspective view of the reminder light embodying the new design;

(51) **LOC (8) Cl.** **26-02**

FIG. 2 is a front view thereof

(52) **U.S. Cl.** **D26/37**

FIG. 3 is a rear view thereof;

(58) **Field of Classification Search** D26/37-50;
362/157, 158, 171-174, 183-208

FIG. 4 is a right side view, the left side being a mirror image thereof;

See application file for complete search history.

FIG. 5 is a top view thereof; and,

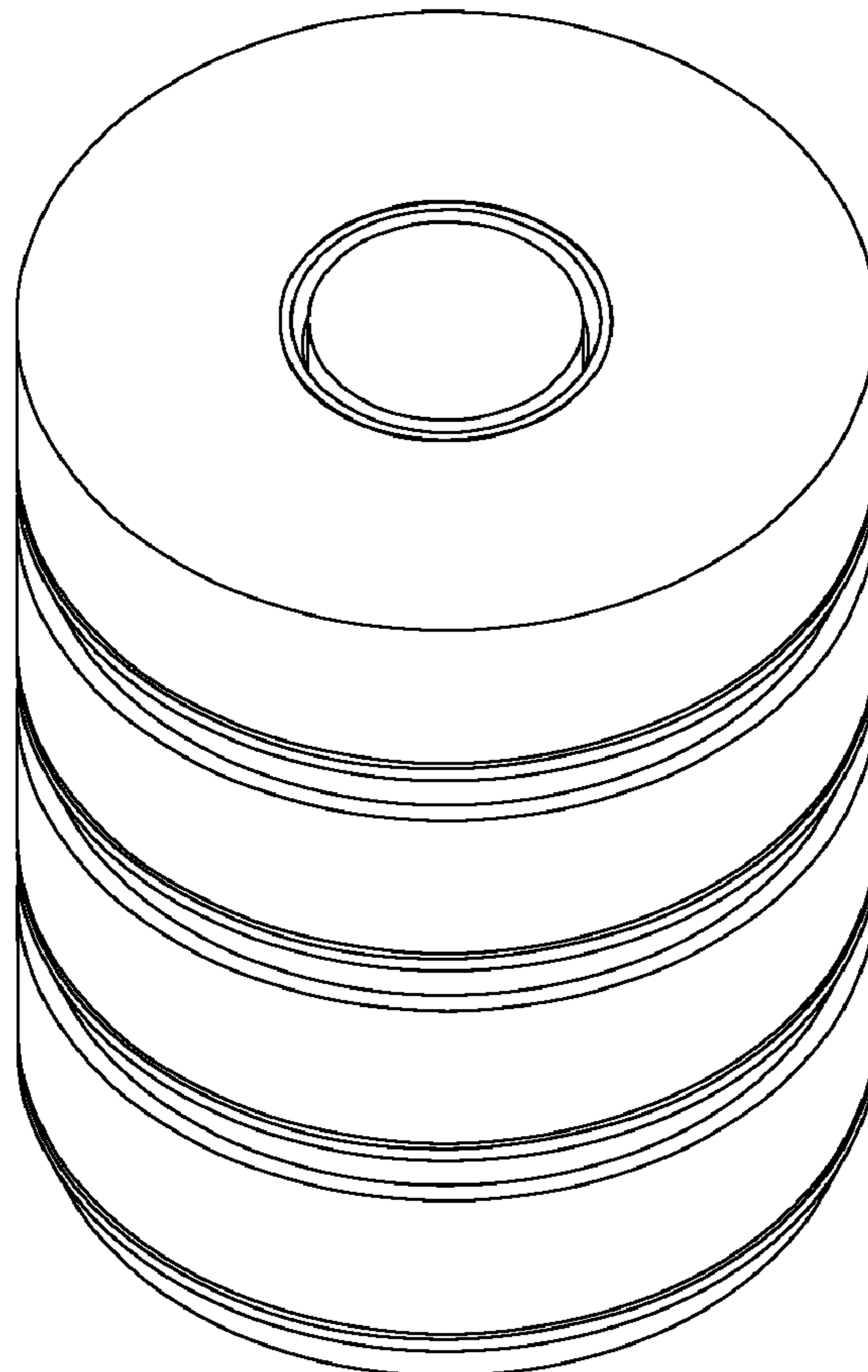
(56) **References Cited**

FIG. 6 is a bottom view thereof.

U.S. PATENT DOCUMENTS

D491,301 S * 6/2004 Chen D26/37

1 Claim, 2 Drawing Sheets



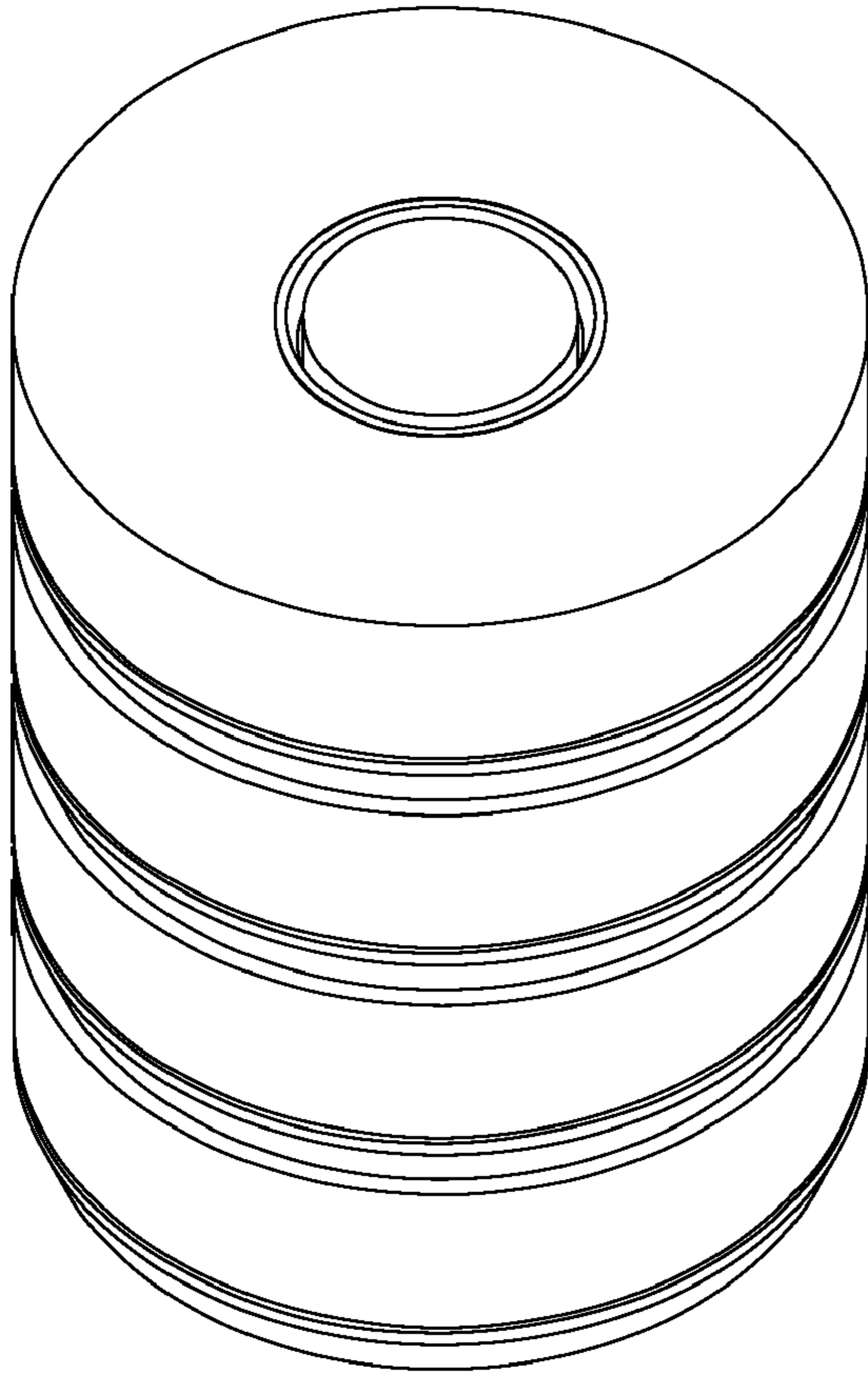


Fig. 1

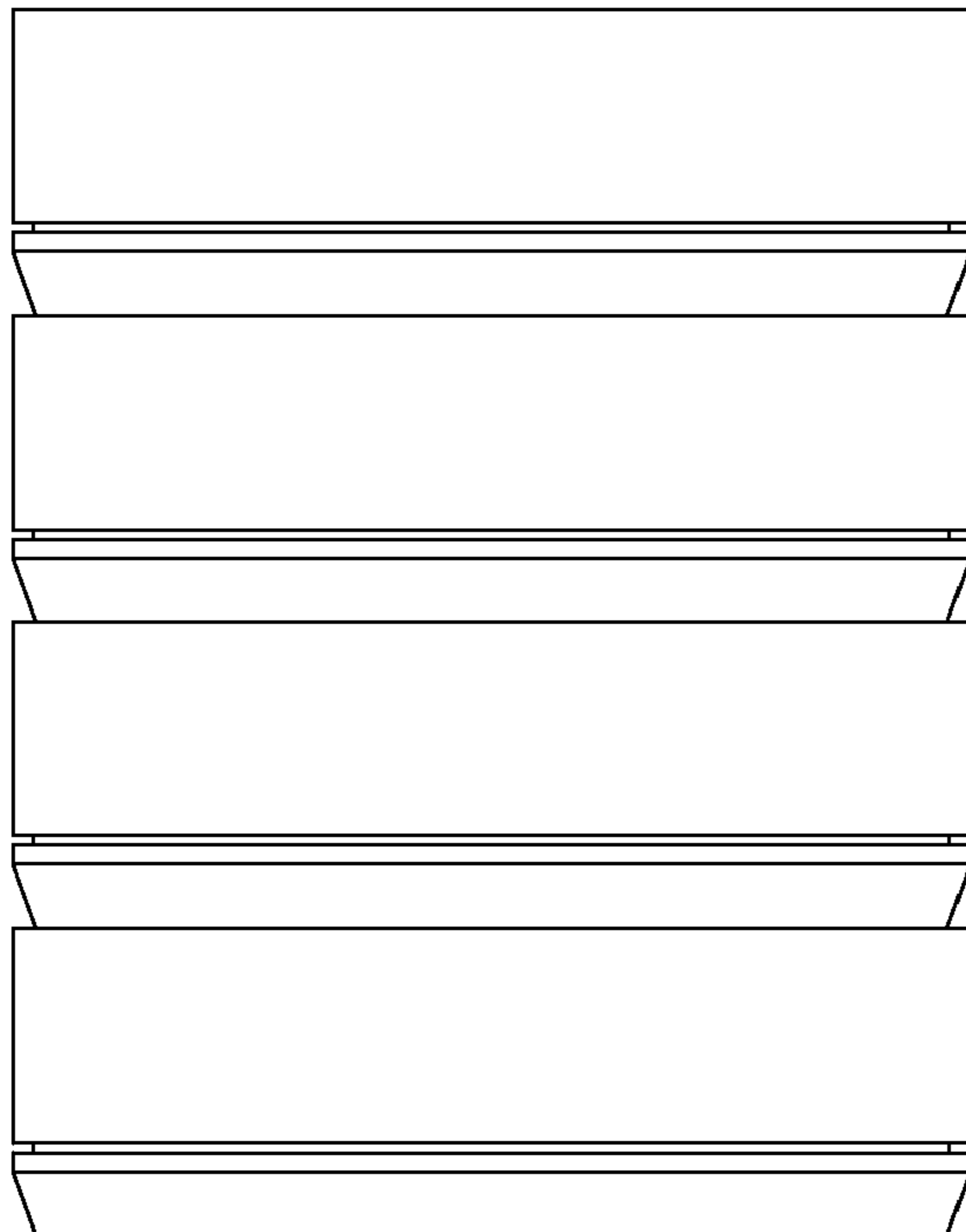


Fig. 2

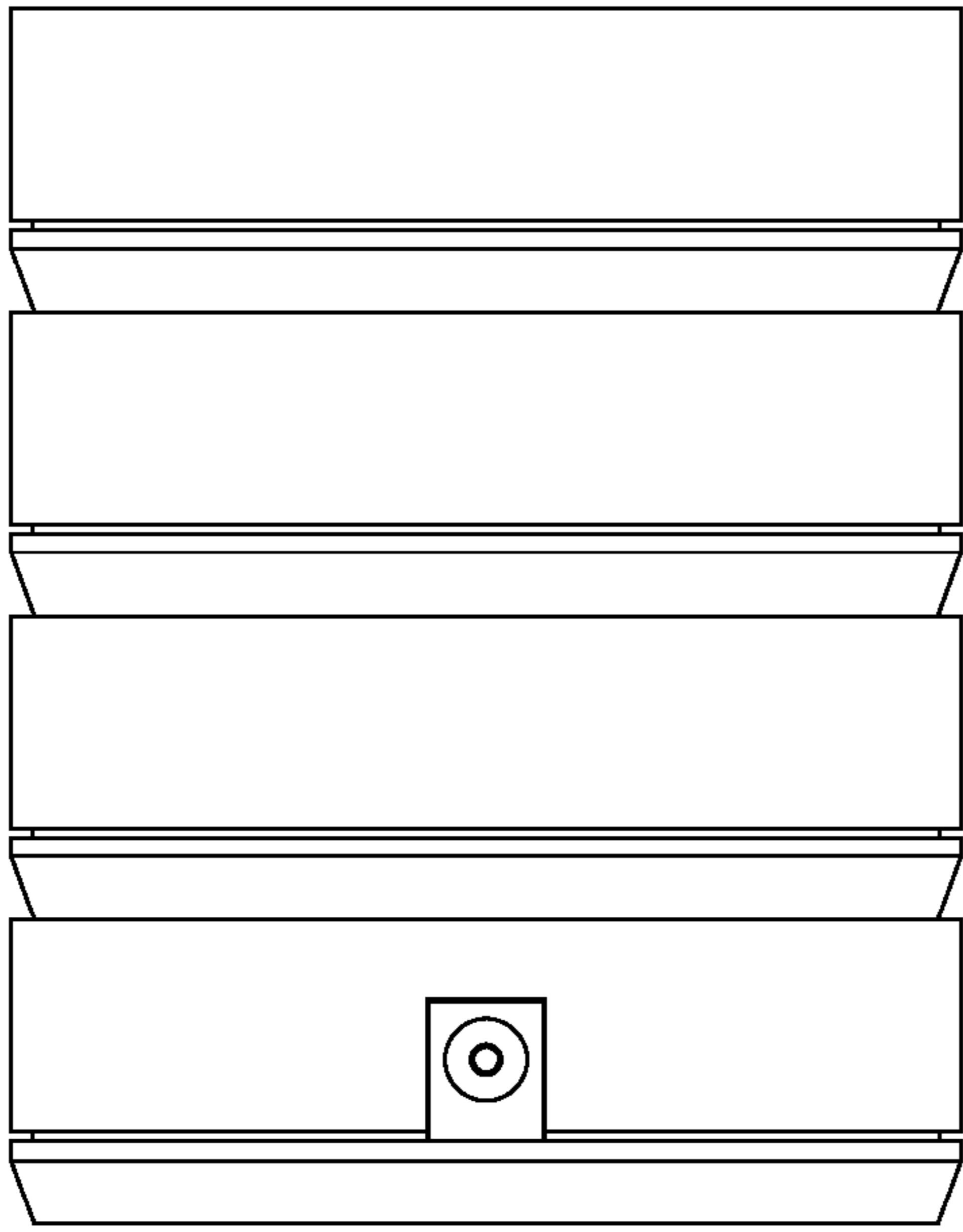


Fig. 3

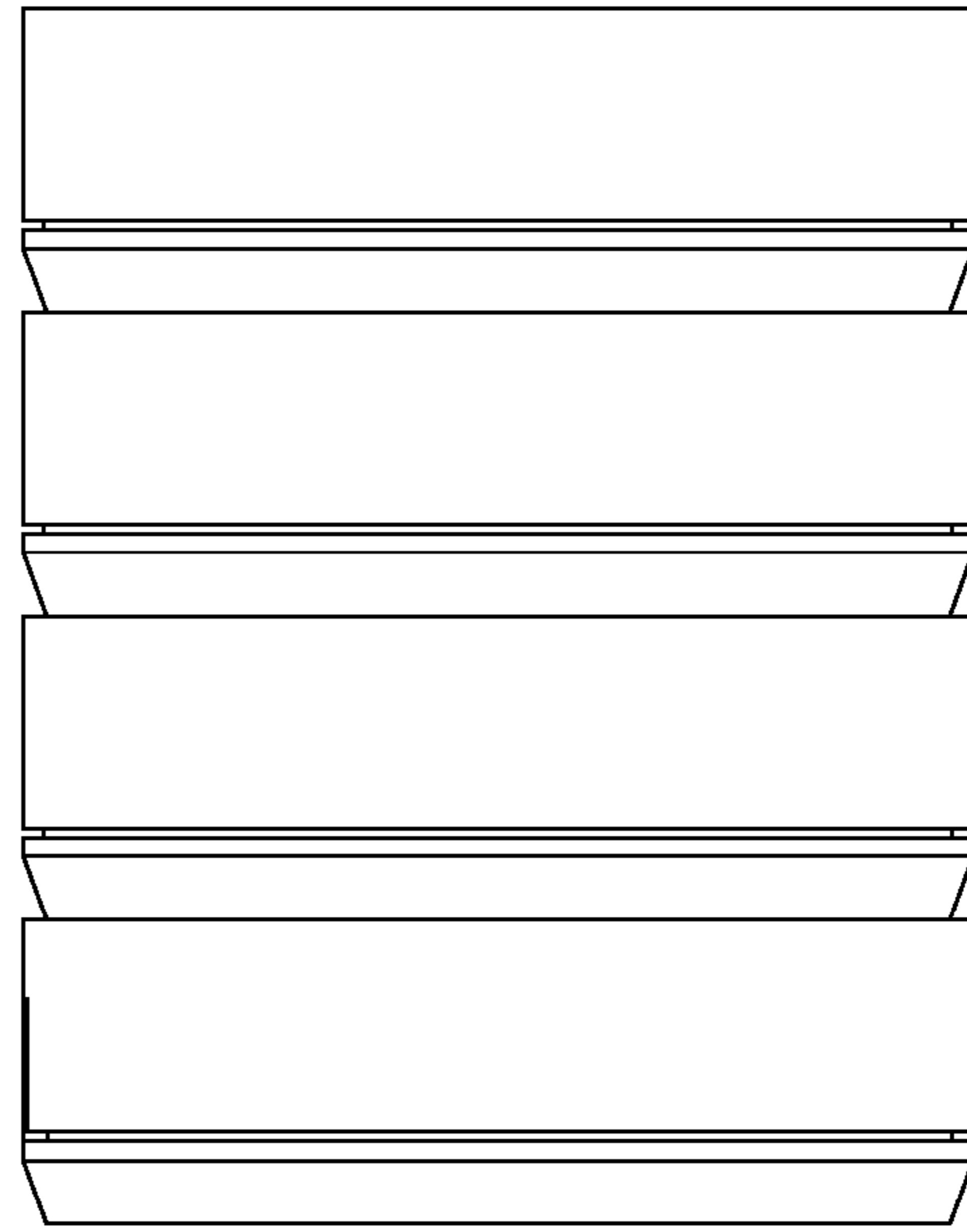


Fig. 4

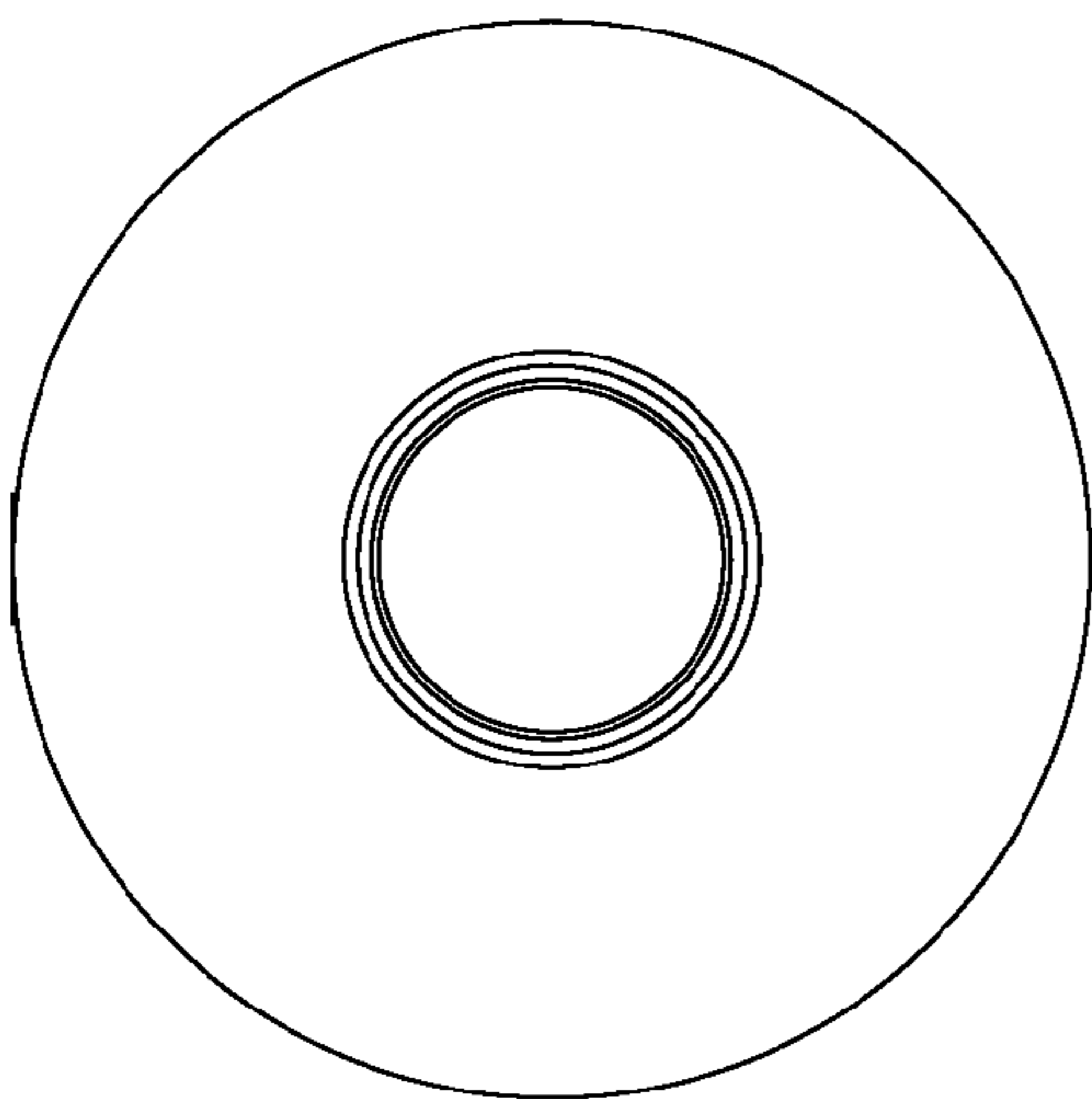


Fig. 5

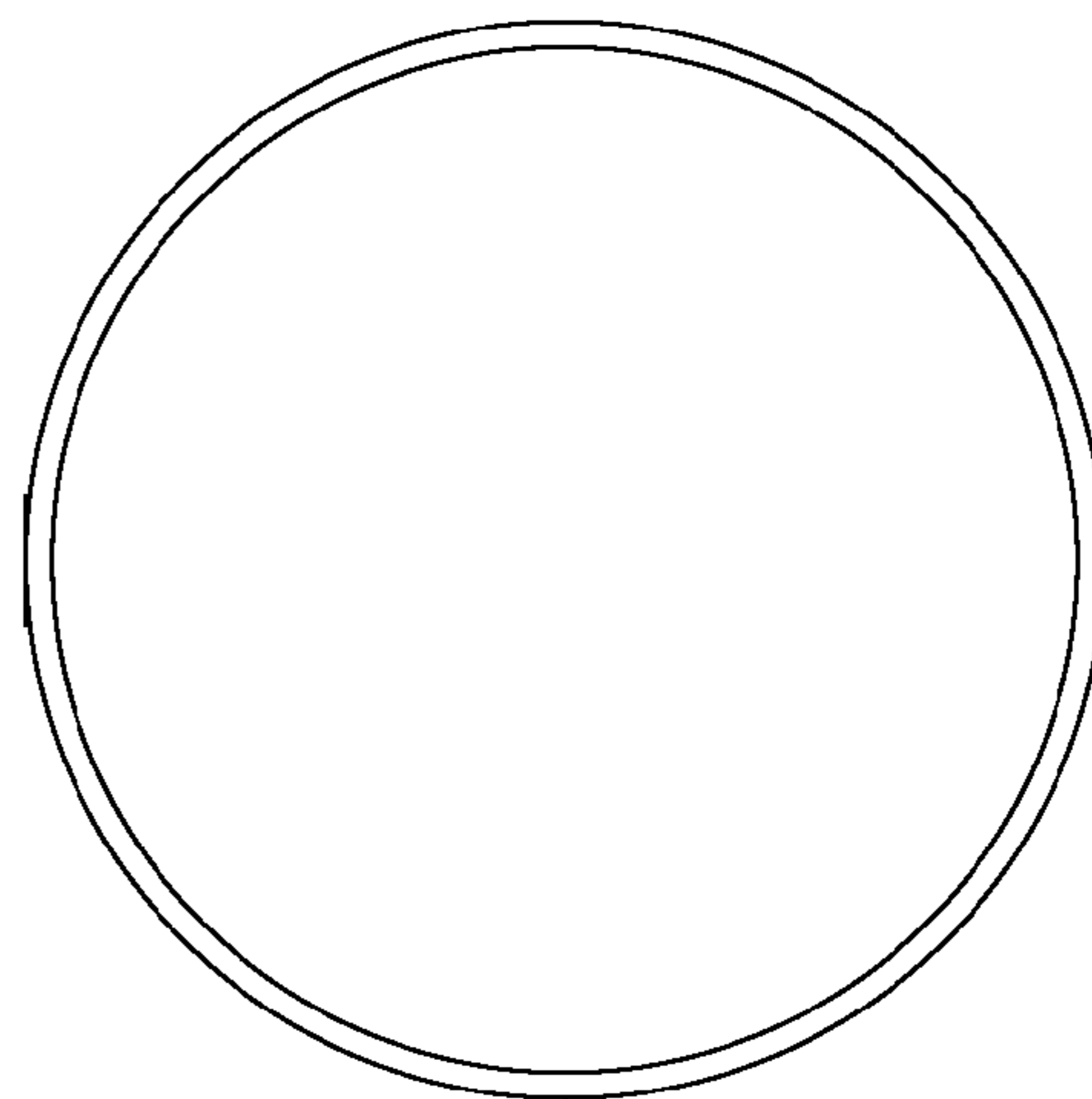


Fig. 6