



US00D560005S

(12) **United States Design Patent**  
**Matthew et al.**

(10) **Patent No.: US D560,005 S**  
(45) **Date of Patent: \*\* Jan. 15, 2008**

(54) **ADJUSTABLE LIGHT**

(75) Inventors: **Norman L. Matthew**, Highland Park, IL (US); **Vincent Alesi**, Barlett, IL (US)

(73) Assignee: **Custom Accessories, Inc.**, Niles, IL (US)

(\*\*) Term: **14 Years**

(21) Appl. No.: **29/241,521**

(22) Filed: **Oct. 28, 2005**

(51) **LOC (8) Cl.** ..... **26-02**

(52) **U.S. Cl.** ..... **D26/37**

(58) **Field of Classification Search** ..... D26/37-50;  
362/157, 158, 171-174, 183-208  
See application file for complete search history.

(56) **References Cited**

**U.S. PATENT DOCUMENTS**

5,769,526 A	6/1998	Shaffer	
6,273,354 B1	8/2001	Kovacik et al.	
6,679,448 B1	1/2004	Carpenter et al.	
D537,965 S *	3/2007	Lee	D26/37
D541,960 S *	5/2007	Rothman	D26/37
D544,972 S *	6/2007	Coushaine et al.	D26/37

**OTHER PUBLICATIONS**

Product information for a magnetic mount power light manufactured and sold by Customer Accessories, Inc. (Rev. Jul. 16, 2003). Copending Appl. No. 29/241,750, filed Oct. 31, 2005, entitled, Reel Assembly, assigned to Examiner Holly H. Baynham, and having common inventors and assignee with the present application.

Copending Appl. No. 11/548,778, filed Oct. 12, 2006, entitled Vehicular Light, claiming priority to provisional Appl. No. 60/730,985, filed Oct. 28, 2005, and having common inventors and assignee with the present application.

\* cited by examiner

*Primary Examiner*—Marcus A. Jackson

(74) *Attorney, Agent, or Firm*—Patzik, Frank & Samotny Ltd.

(57) **CLAIM**

The ornamental design for an adjustable light, as shown and described.

**DESCRIPTION**

FIG. 1 is a perspective view of the adjustable light showing the new ornamental design thereof having a pivotal housing and a plug removably attached thereto;

FIG. 2 is a side elevational view thereof, the left and right views being a mirror image;

FIG. 3 is a bottom plan view thereof;

FIG. 4 is a top plan view thereof;

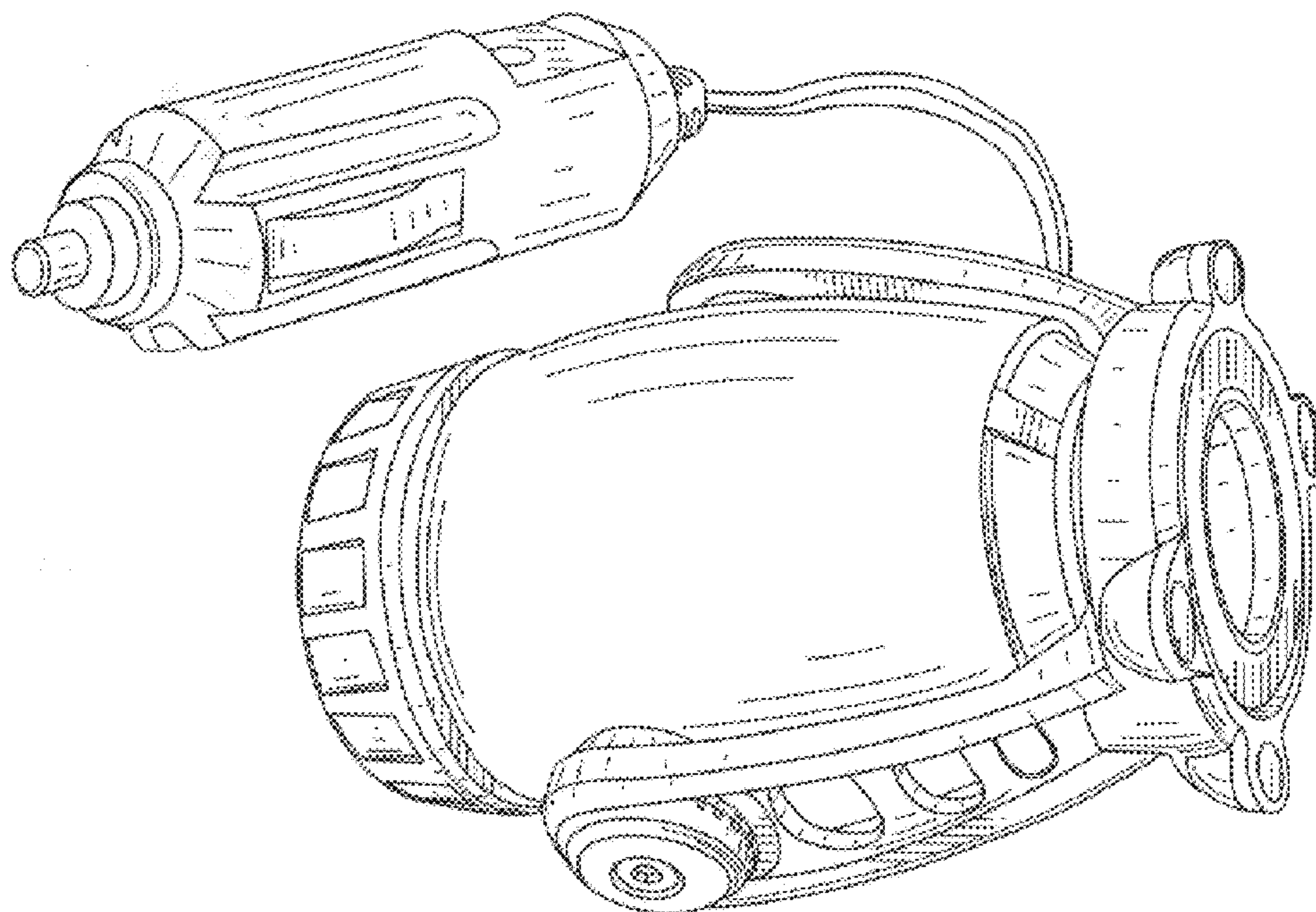
FIG. 5 is a front view thereof;

FIG. 6 is a rear view thereof; and,

FIG. 7 is a perspective view of the adjustable light with the plug unattached from the housing.

The broken line showing of the light portion is included for the purpose of illustrating the light portion and forms no part of the claimed design.

**1 Claim, 7 Drawing Sheets**



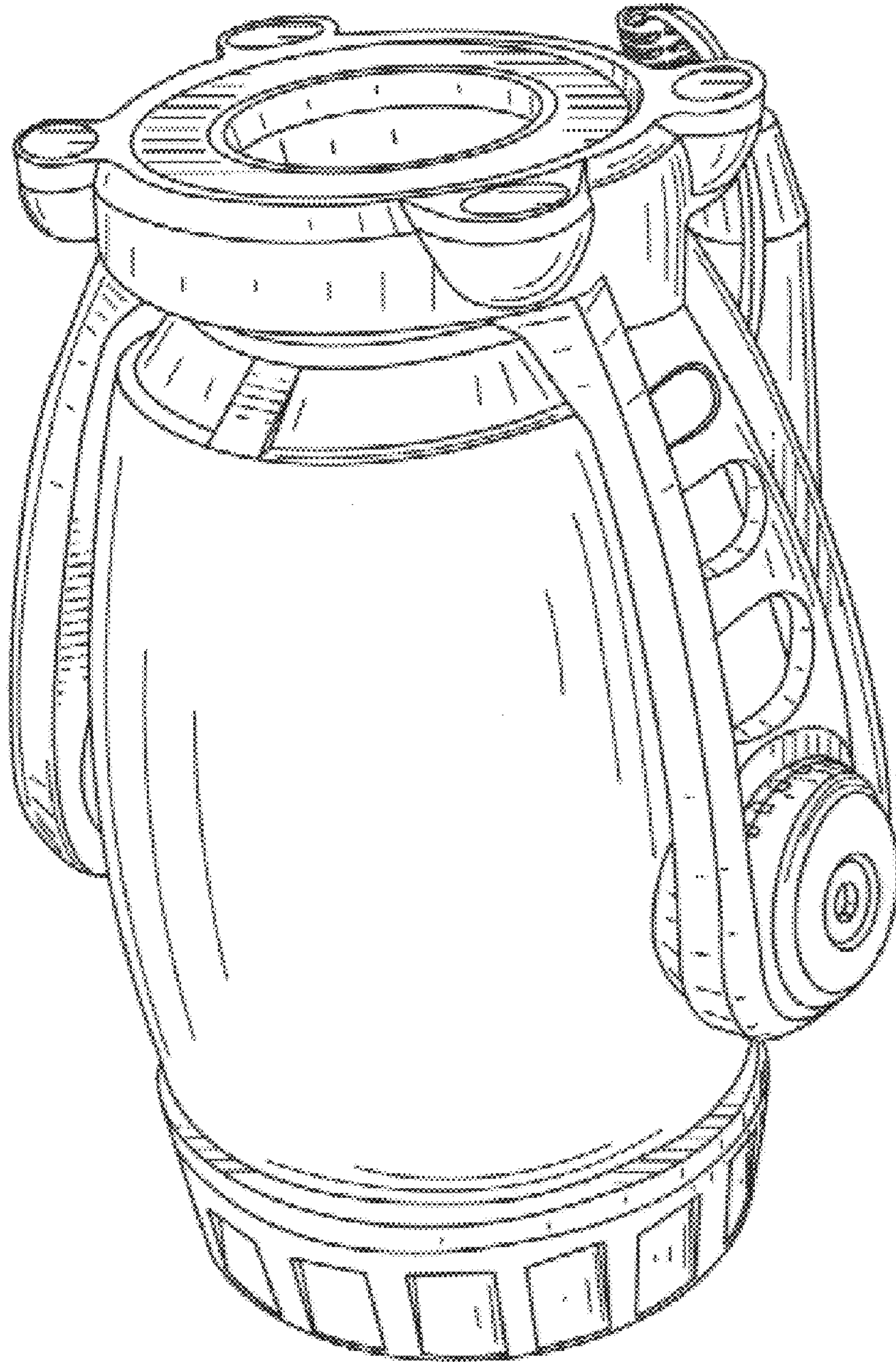


FIG. 1



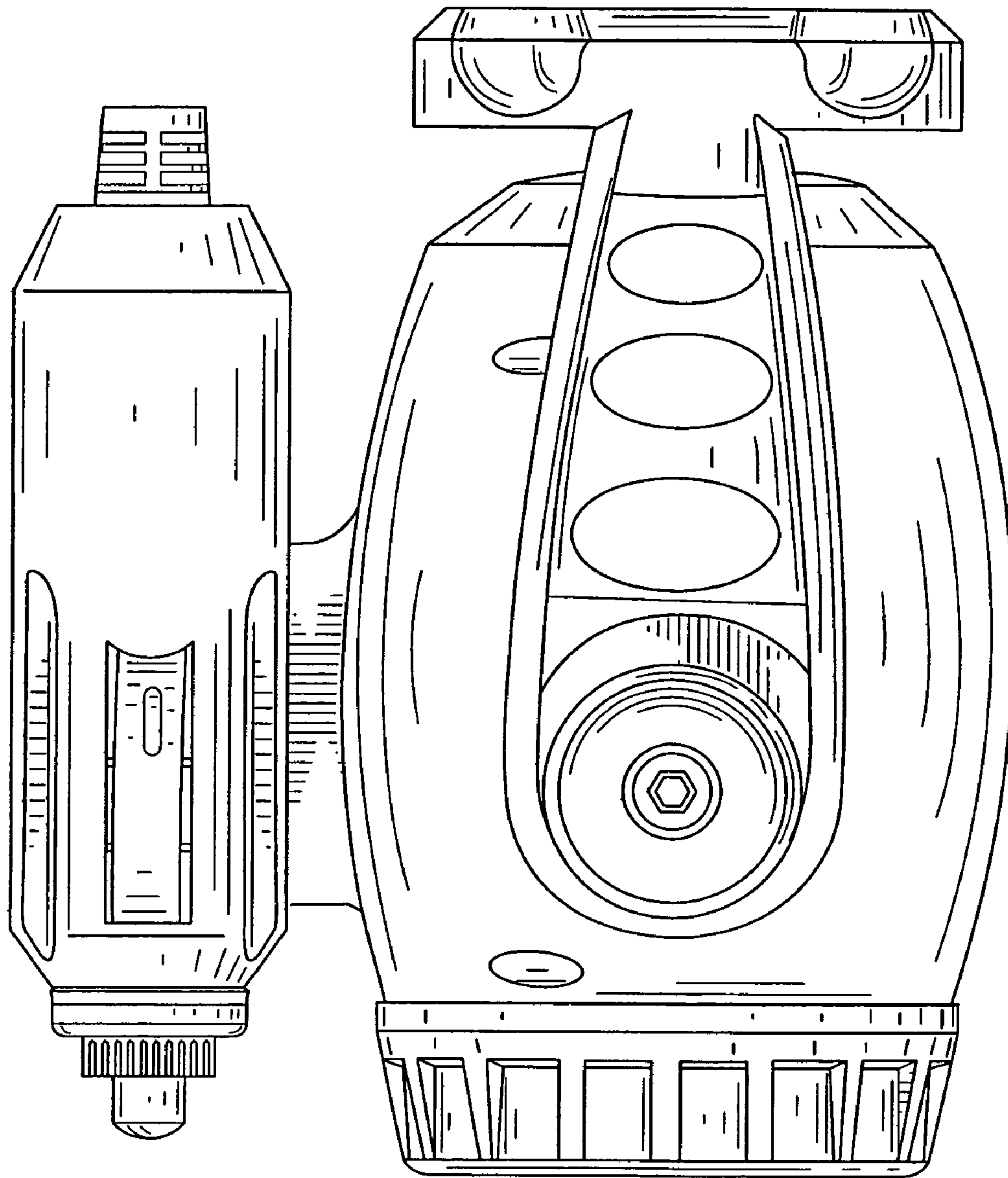


FIG. 2

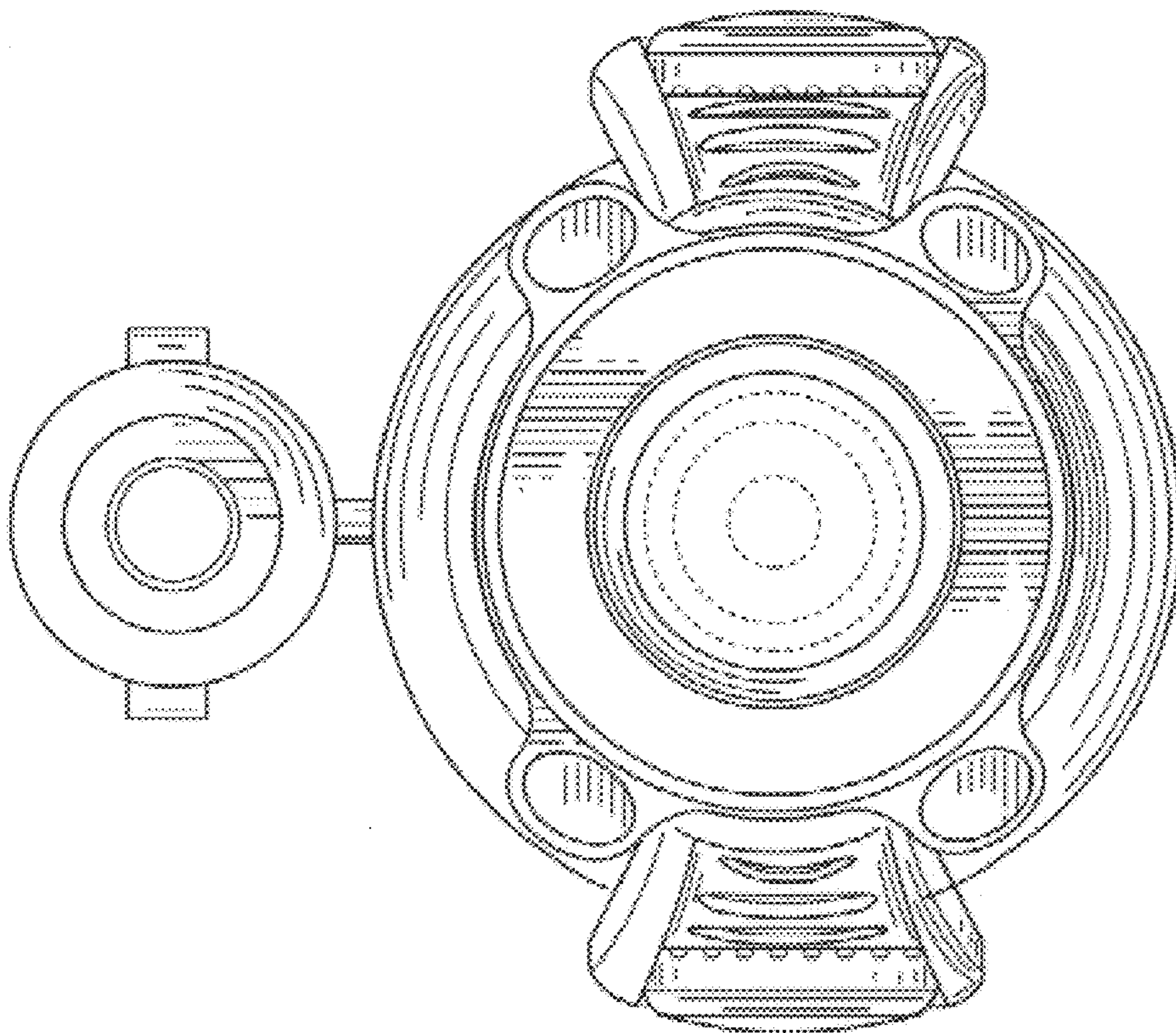


FIG. 3

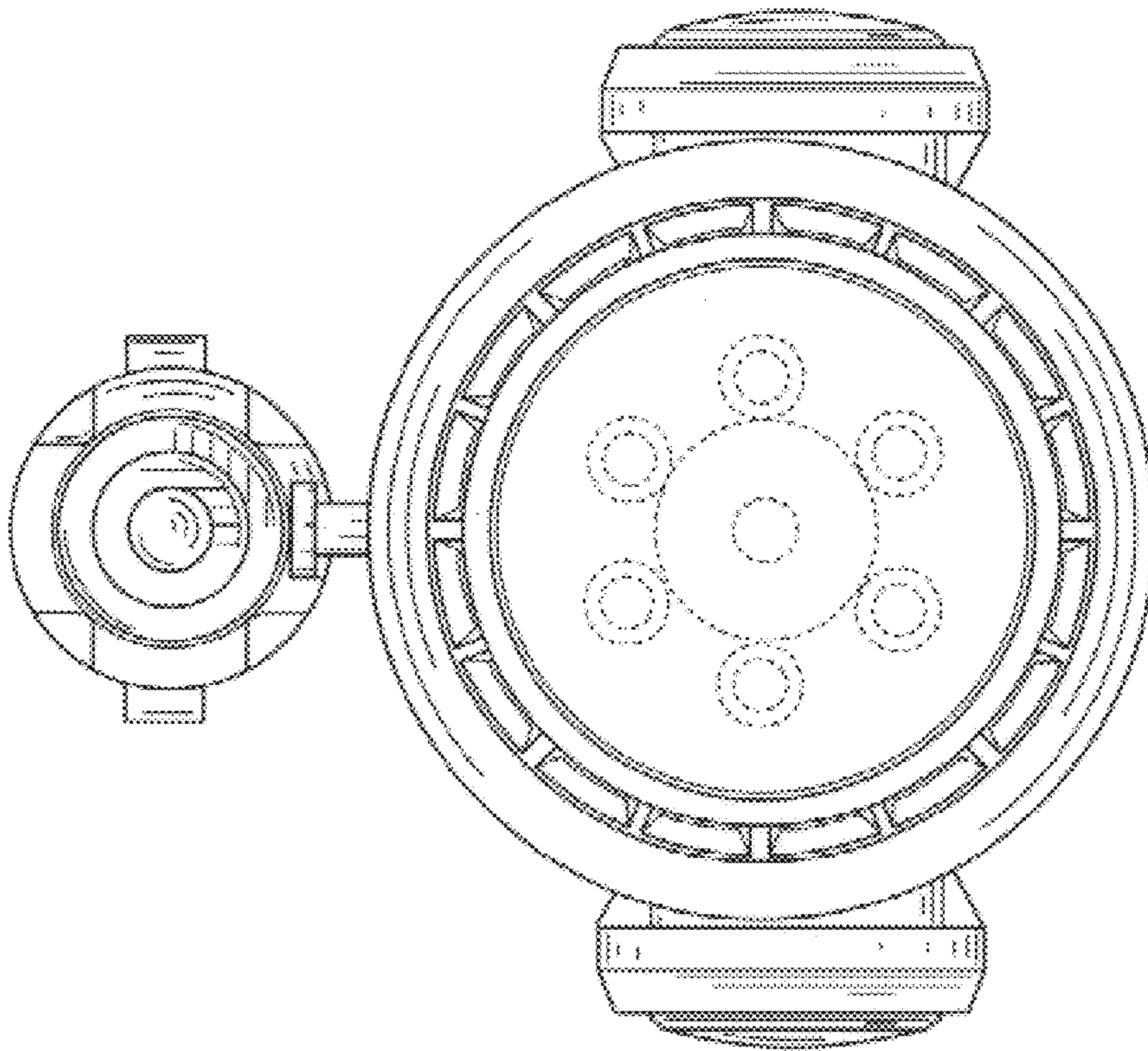


FIG. 4



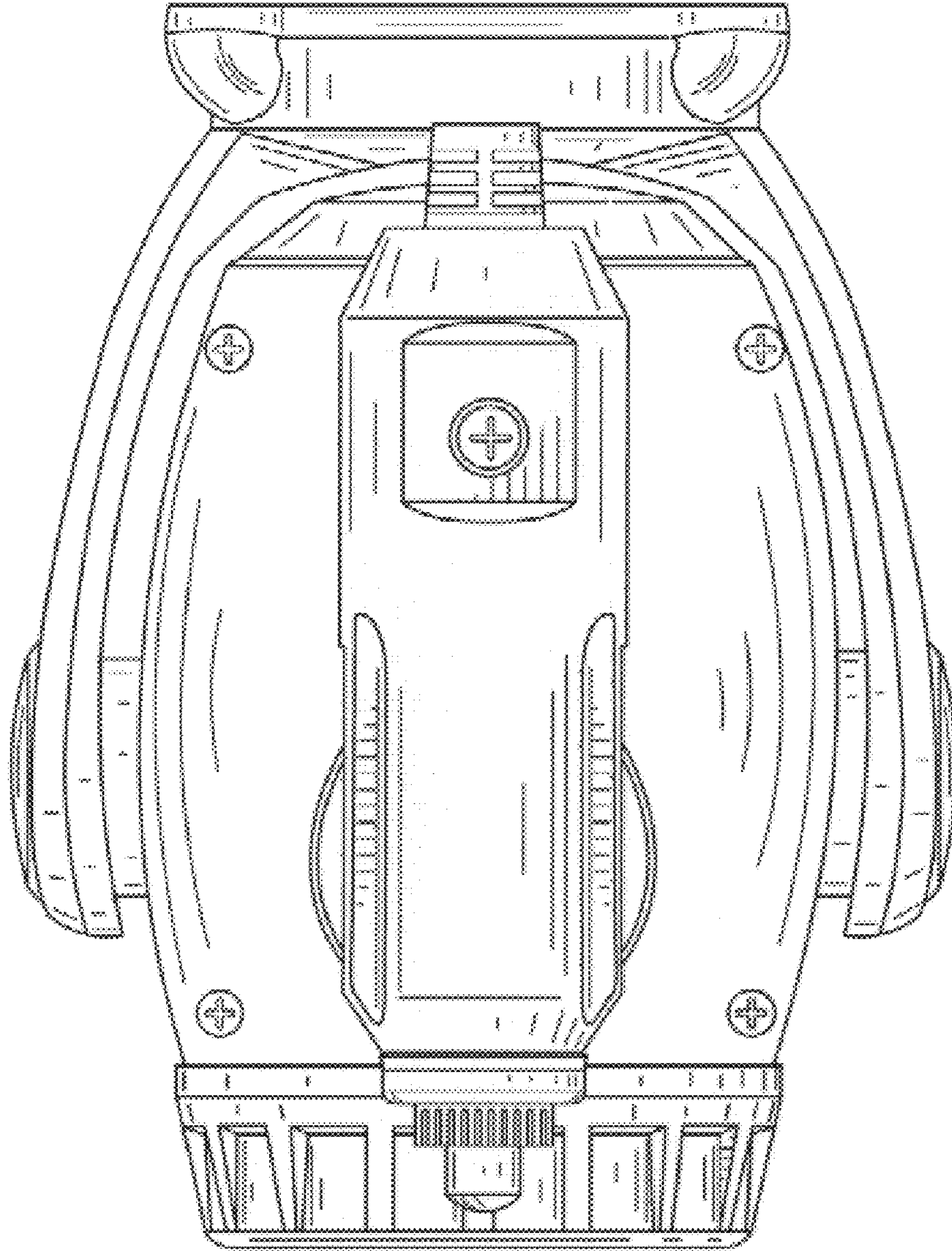


FIG. 5

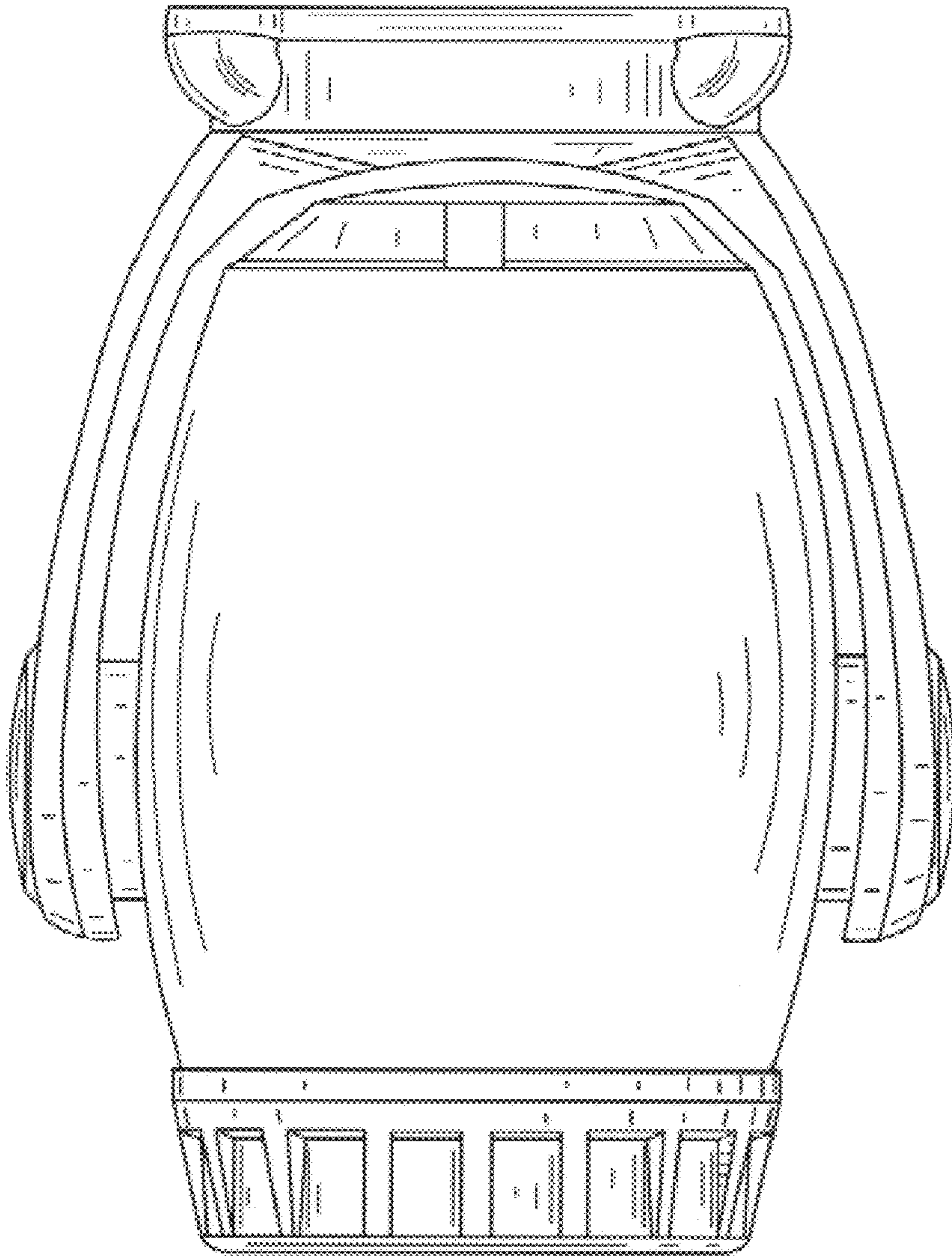


FIG. 6



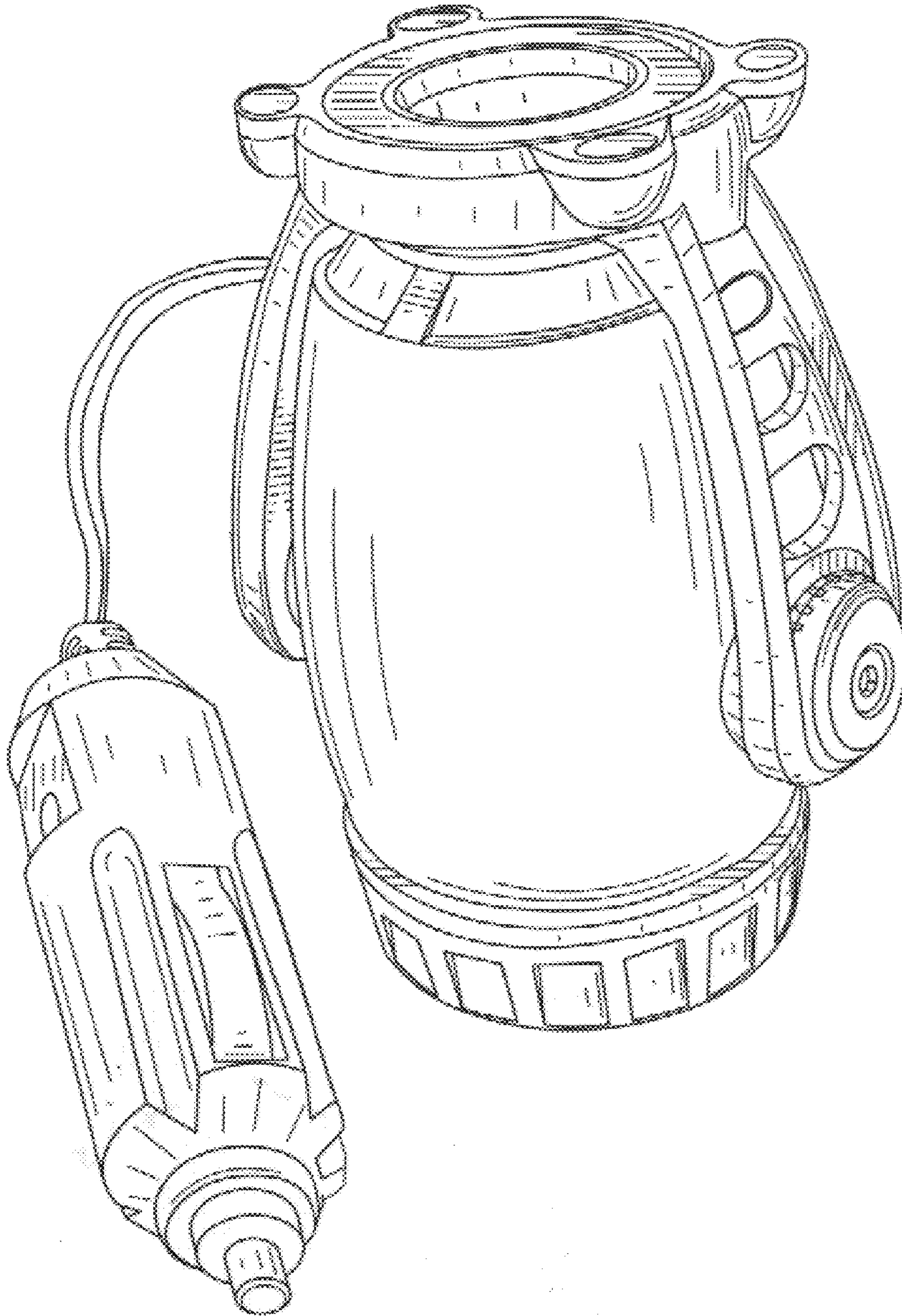


FIG. 7