

US00D560003S

(12) **United States Design Patent**
Bergmann

(10) **Patent No.:** **US D560,003 S**
(45) **Date of Patent:** **** Jan. 15, 2008**

(54) **FRAME FOR SLIDING DOORS AND WALLS**

FOREIGN PATENT DOCUMENTS

(75) Inventor: **Carsten Bergmann**, Bremen (DE)

AU	140775	6/2000
FR	692942	2/2003
NO	76271	4/2001
RU	53982	1/2004

(73) Assignee: **Raumplus GmbH & Co., KG**, Bremen (DE)

* cited by examiner

(**) Term: **14 Years**

Primary Examiner—Doris Clark

(21) Appl. No.: **29/262,727**

(74) *Attorney, Agent, or Firm*—Sughrue Mion Pllc.

(22) Filed: **Jul. 11, 2006**

(57) **CLAIM**

(30) **Foreign Application Priority Data**

The ornamental design for a frame for sliding doors and walls, as shown and described.

Jan. 11, 2006	(EM)	000459334-0001
Jan. 11, 2006	(EM)	000459334-0002
Jan. 11, 2006	(EM)	000459334-0003

DESCRIPTION

(51) **LOC (8) Cl.** **25-01**

FIG. 1 is a perspective view of the top, front and left side of a frame for sliding doors and walls showing my new design according to a third embodiment;

(52) **U.S. Cl.** **D25/124**

FIG. 2 is a second perspective view of the bottom, rear and left side thereof;

(58) **Field of Classification Search** D25/60,
D25/122, 124; 52/204.1, 207, 206; 49/66,
49/130, 504

FIG. 3 is a top plan view thereof;

See application file for complete search history.

FIG. 4 is a front elevational view thereof;

(56) **References Cited**

FIG. 5 is a right side elevational view thereof;

U.S. PATENT DOCUMENTS

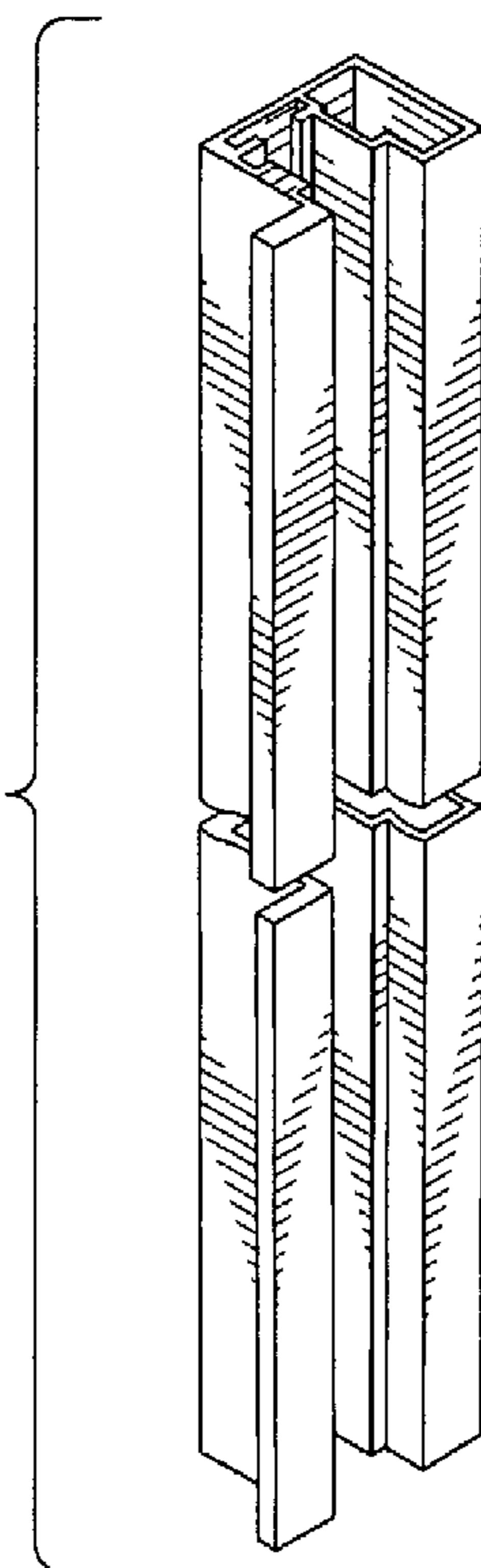
2,120,783	A *	6/1938	Hoffman	49/408
4,561,210	A *	12/1985	Kvas et al.	49/372
6,170,207	B1 *	1/2001	Saindon	52/204.2
6,397,530	B1 *	6/2002	Terry et al.	52/204.1
D460,831	S *	7/2002	Ballard et al.	D25/124

FIG. 6 is a rear elevational view thereof; and,

FIG. 7 is a left side elevational view thereof.

The claimed design has been broken in the center to indicate indefinite length.

1 Claim, 2 Drawing Sheets



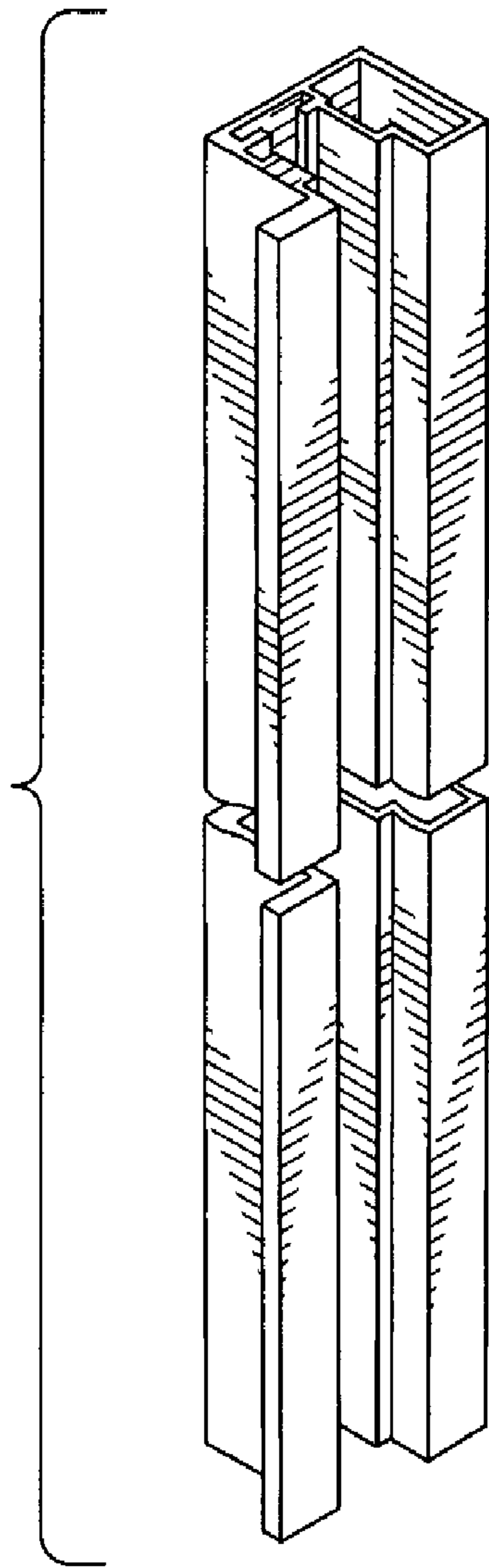


FIG. 1

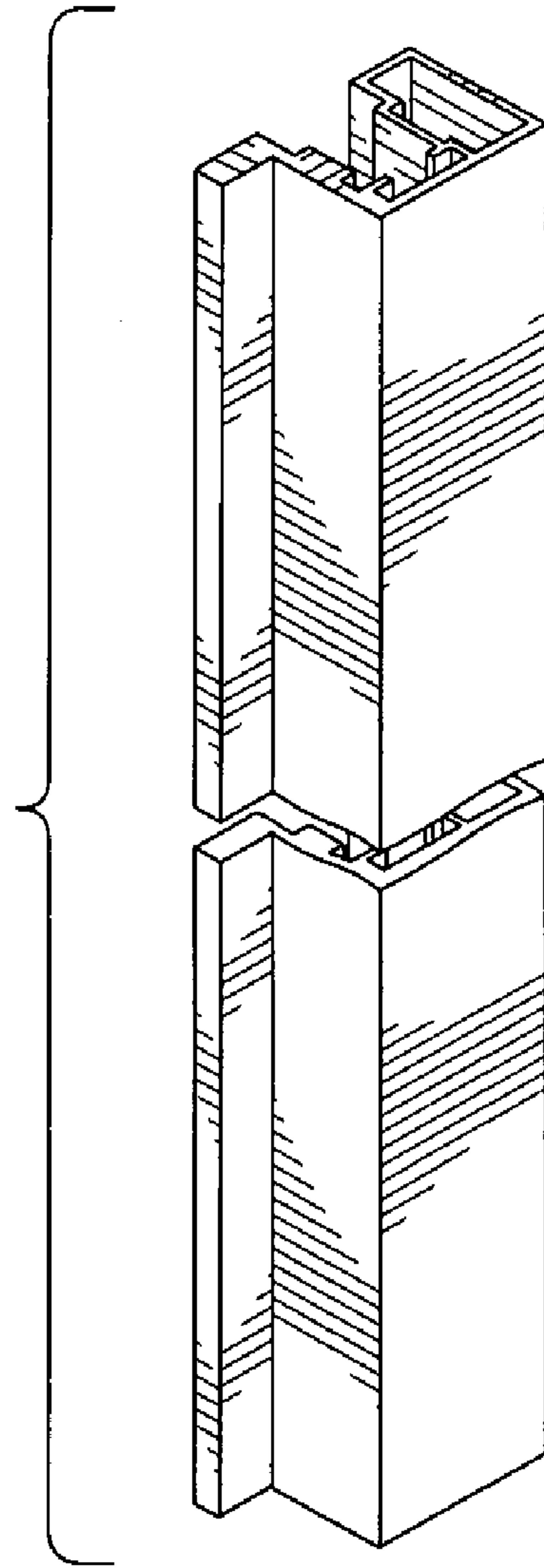


FIG. 2

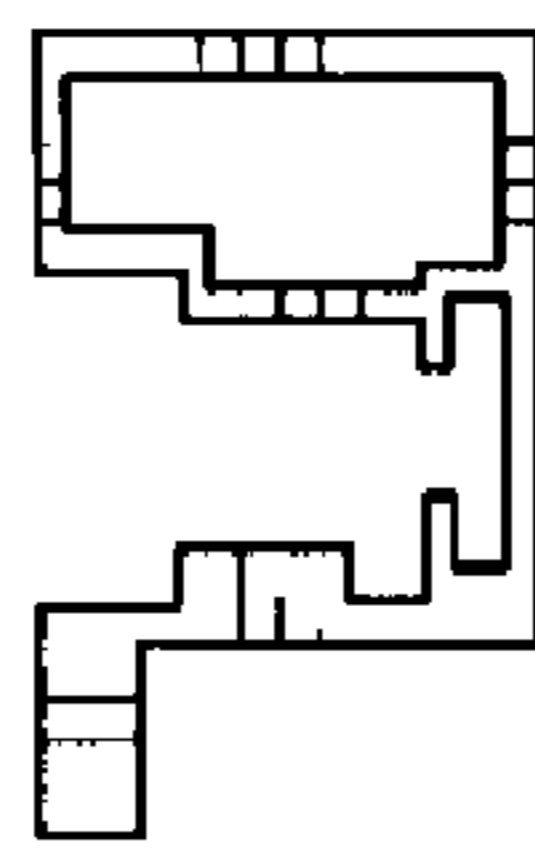


FIG. 3

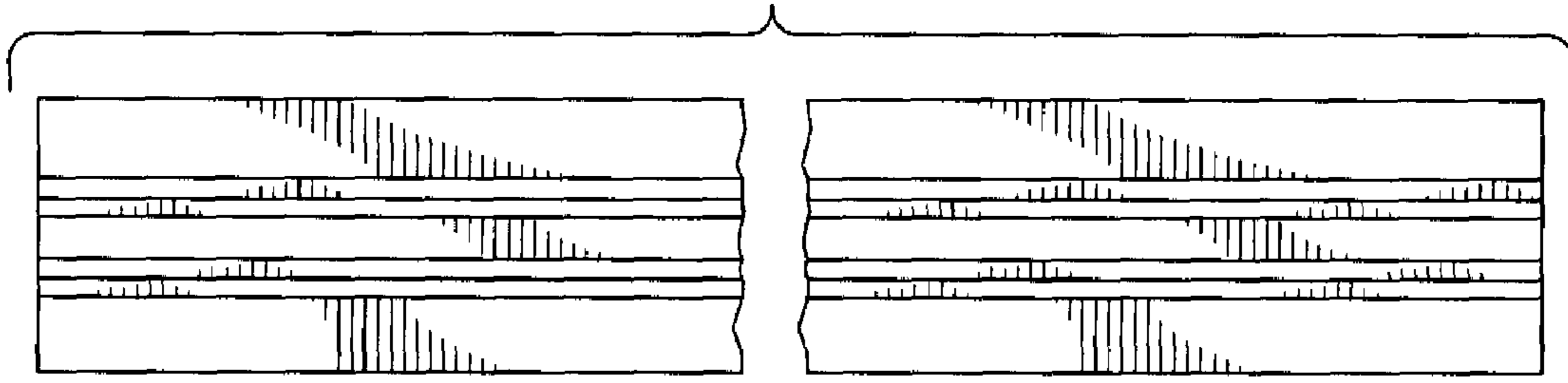


FIG. 4

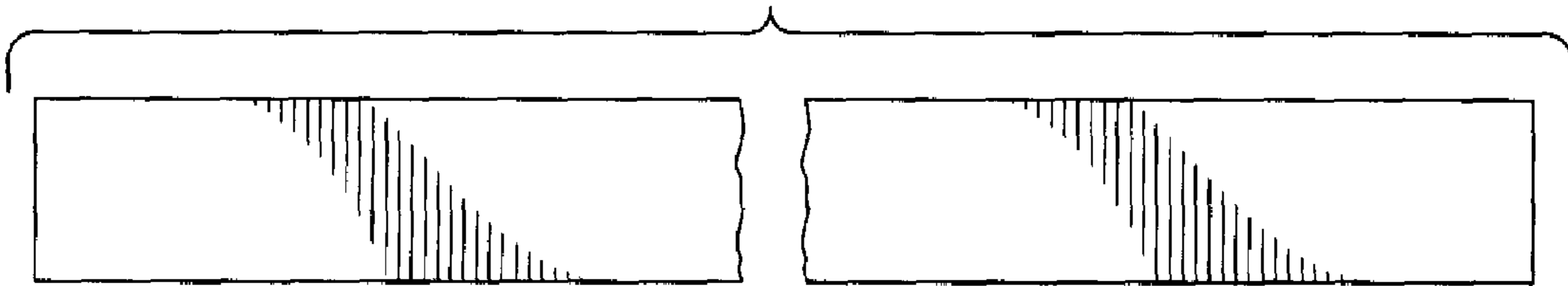


FIG. 5

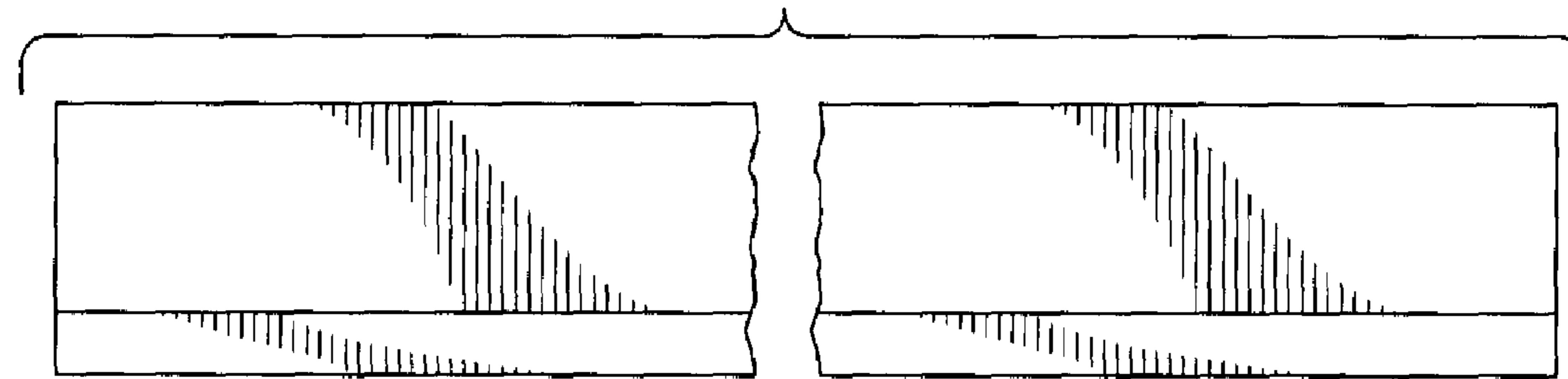


FIG. 6

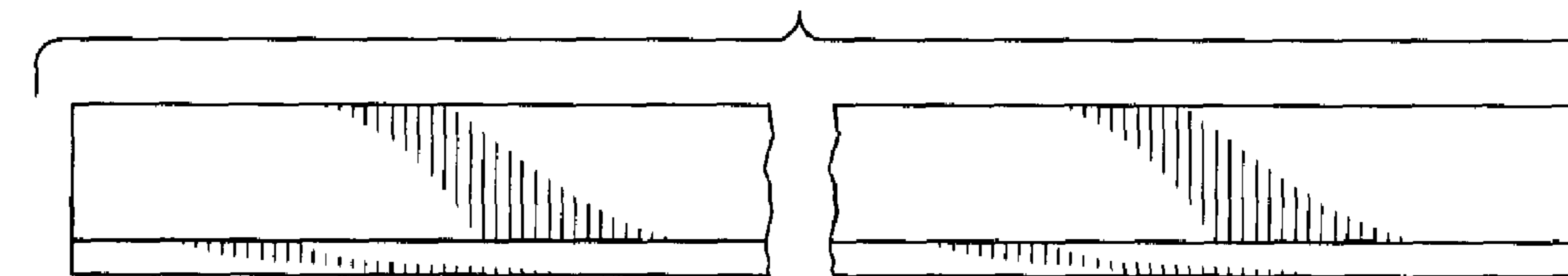


FIG. 7