



US00D560002S

(12) **United States Design Patent**  
**Bergmann**

(10) **Patent No.:** **US D560,002 S**

(45) **Date of Patent:** **\*\* Jan. 15, 2008**

(54) **FRAME FOR SLIDING DOORS AND WALLS**

(75) Inventor: **Carsten Bergmann**, Bremen (DE)

(73) Assignee: **Raumplus GmbH & Co. KG** (DE)

(\*\*) Term: **14 Years**

(21) Appl. No.: **29/234,693**

(22) Filed: **Jul. 21, 2005**

(30) **Foreign Application Priority Data**

Jan. 24, 2005 (EM) ..... 000283197

(51) **LOC (8) Cl.** ..... **25-01**

(52) **U.S. Cl.** ..... **D25/124**

(58) **Field of Classification Search** ..... D25/60,  
D25/122, 124; 52/204.1, 207, 206; 49/66,  
49/130, 504

See application file for complete search history.

(56) **References Cited**

**U.S. PATENT DOCUMENTS**

2,120,783 A \* 6/1938 Hoffman ..... 49/408

4,561,210 A \* 12/1985 Kvas et al. .... 49/372  
6,170,207 B1 \* 1/2001 Saindon ..... 52/204.2  
6,397,530 B1 \* 6/2002 Terry et al. .... 52/204.1  
D460,831 S \* 7/2002 Ballard et al. .... D25/124

\* cited by examiner

*Primary Examiner*—Doris Clark

(74) *Attorney, Agent, or Firm*—Thomas, Kayden,  
Horstemeyer & Risley LLP; Todd Deveau

(57) **CLAIM**

The ornamental design for a frame for sliding doors and walls, as shown and described.

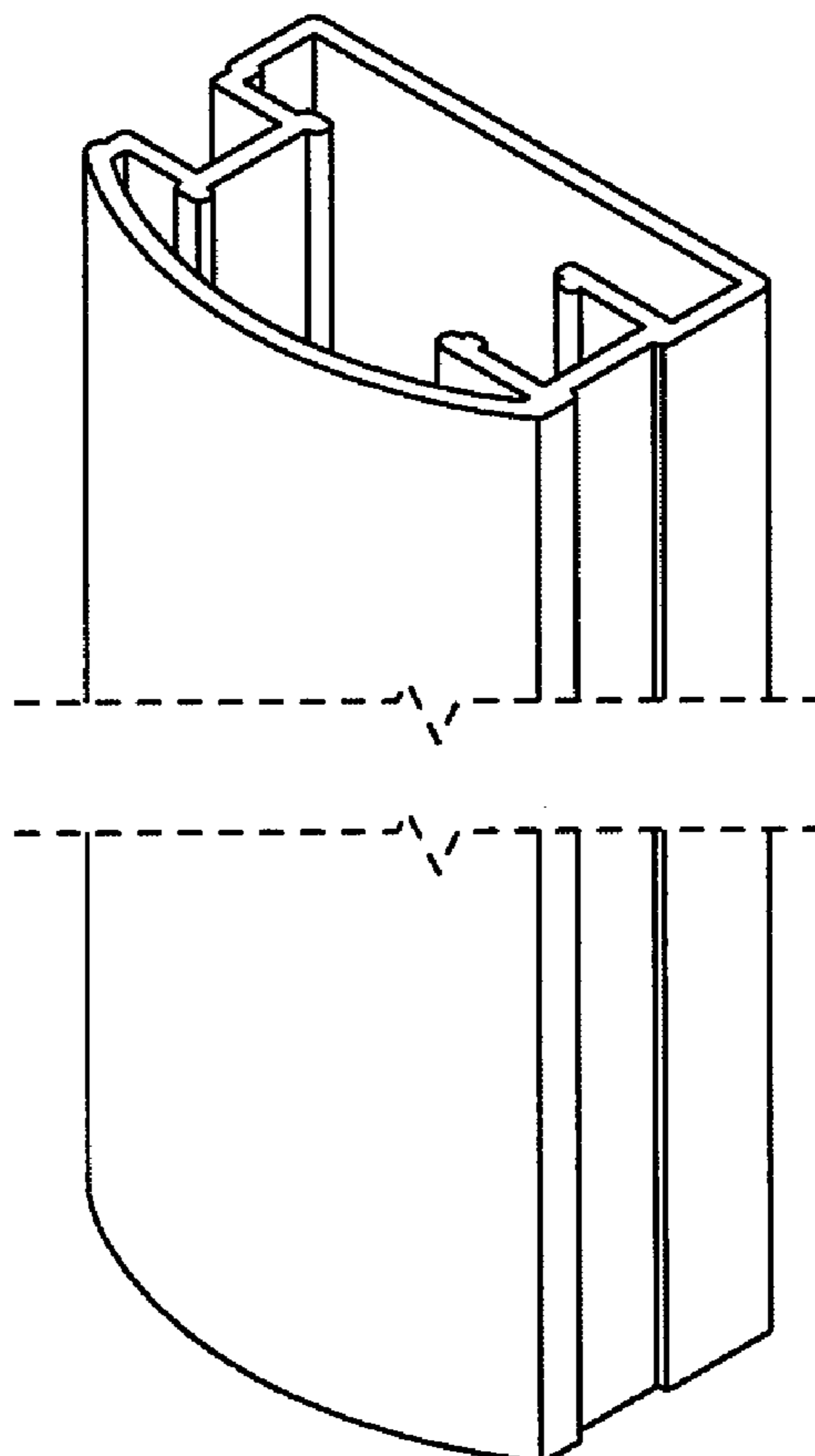
**DESCRIPTION**

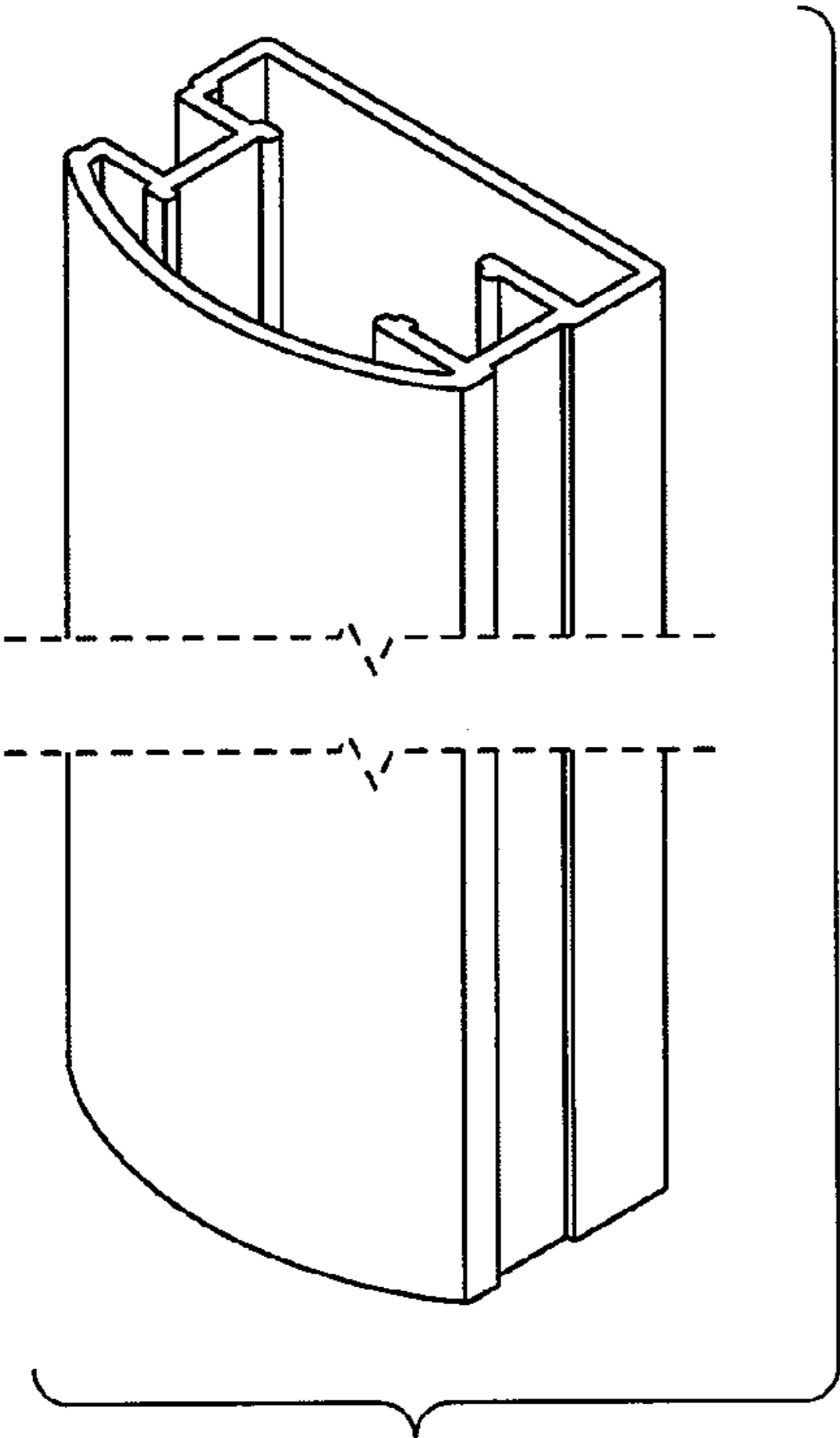
FIG. 1 is a perspective view showing the front and one side of my new frame for sliding doors and walls;

FIG. 2 is a perspective view opposite that of FIG. 1 showing the rear and opposite side thereof; and,

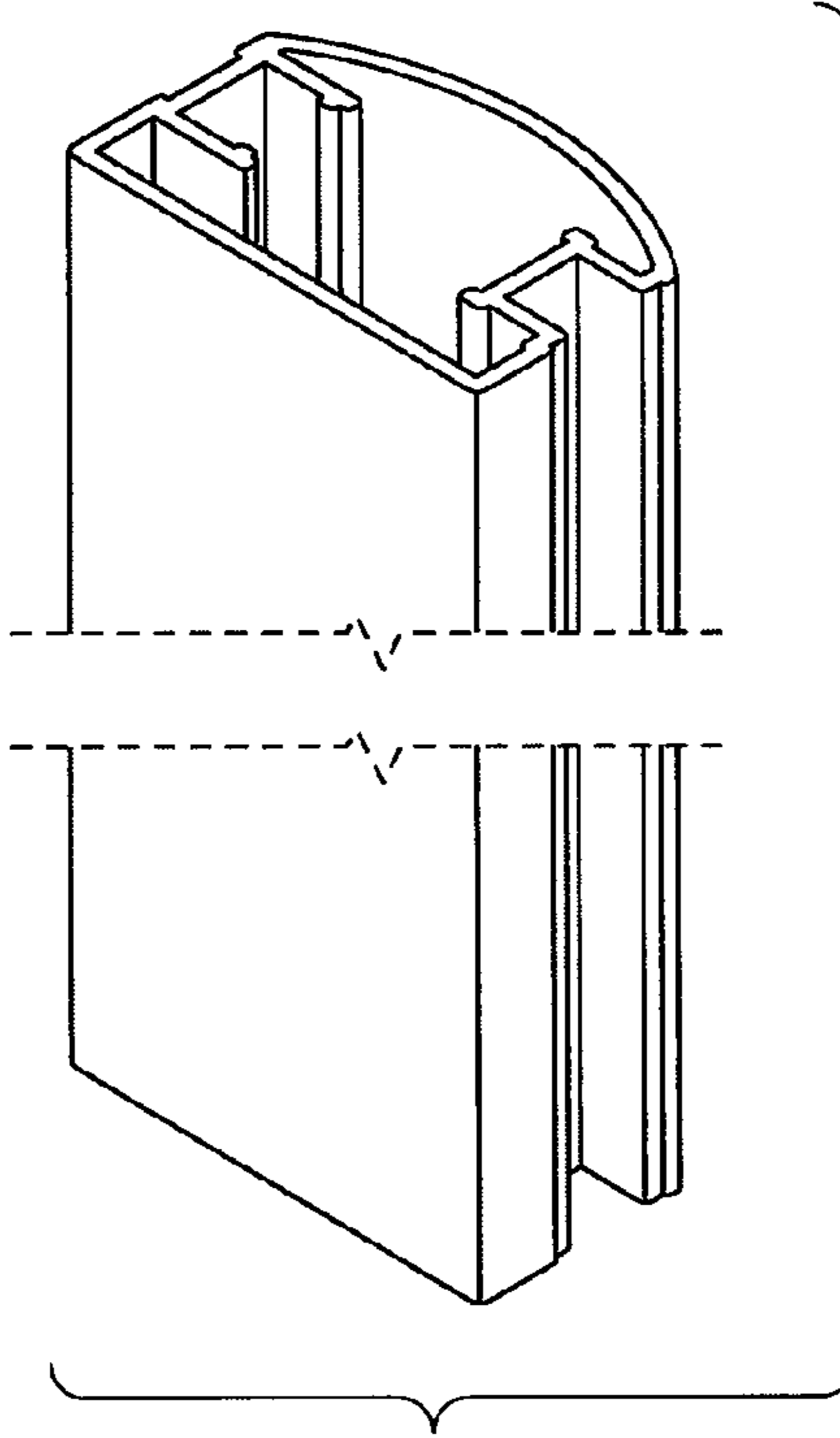
FIG. 3 is a top plan view thereof, the bottom being a mirror image.

**1 Claim, 1 Drawing Sheet**

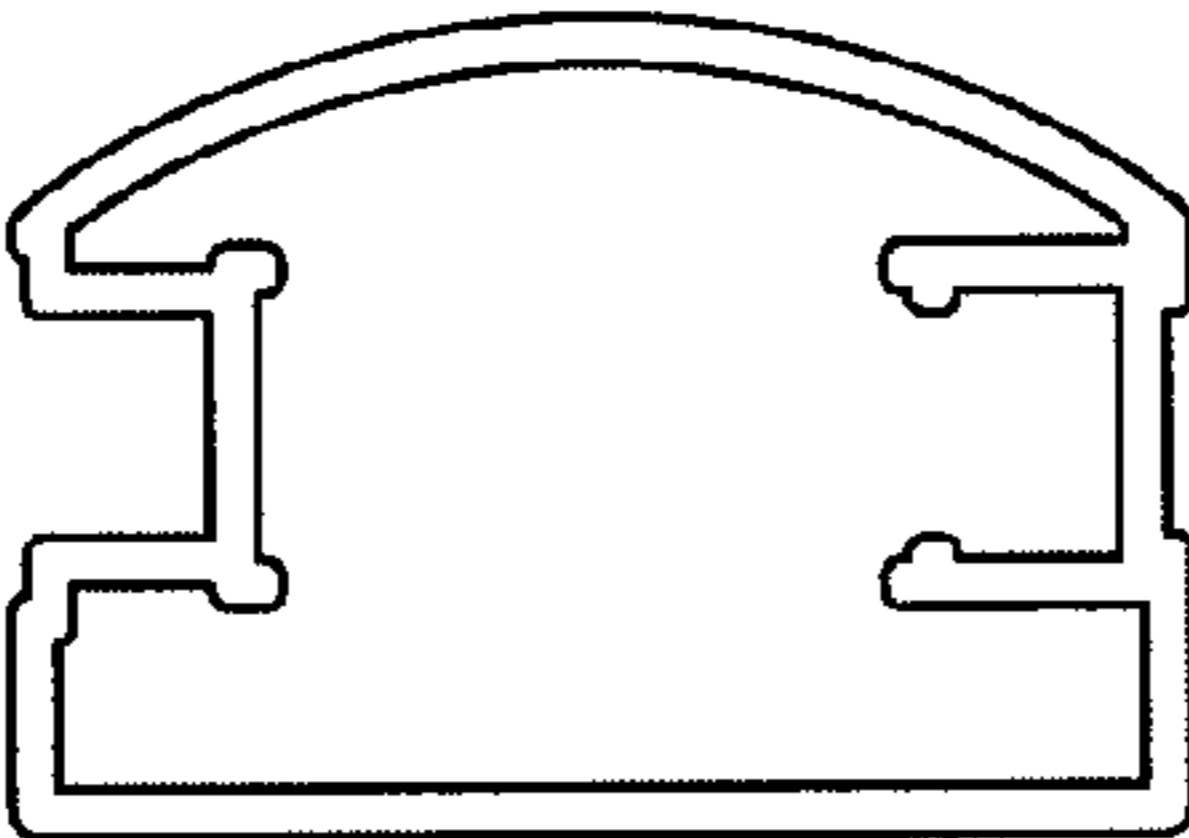




**FIG. 1**



**FIG. 2**



**FIG. 3**