



US00D560001S

(12) **United States Design Patent**
Moss et al.

(10) **Patent No.: US D560,001 S**
(45) **Date of Patent: ** Jan. 15, 2008**

(54) **LADDER WHEEL PAIR**
(75) Inventors: **N. Ryan Moss**, Mapleton, UT (US);
Jack W. Bowers, Springville, UT (US)

(73) Assignee: **Wing Enterprises, Inc.**, Springville,
UT (US)

(**) Term: **14 Years**

(21) Appl. No.: **29/253,752**

(22) Filed: **Feb. 11, 2006**

(51) **LOC (8) Cl.** **25-04**

(52) **U.S. Cl.** **D25/68**

(58) **Field of Classification Search** 182/127,
182/17, 15, 230, 21, 194, 130, 132, 152,
182/156, 157, 161, 67.4, 180.1; D25/68;
16/231, 324, 326

See application file for complete search history.

(56) **References Cited**

U.S. PATENT DOCUMENTS

55,567 A	6/1866	Wilkins	
115,060 A	5/1871	Jones	
127,571 A	6/1872	Clark	
274,448 A	3/1883	Kinzel	
1,004,550 A	10/1911	Bertke	
3,463,505 A	8/1969	German et al.	
3,580,601 A	5/1971	Miles	
3,841,437 A	10/1974	Caughey	
4,049,283 A	9/1977	Brookes et al.	
4,063,616 A	12/1977	Gutierrez	
4,564,203 A	1/1986	Wilson	
5,082,086 A	1/1992	Kerr	
5,086,872 A	2/1992	Lin	
5,105,908 A	4/1992	Freund	
D330,260 S *	10/1992	Henningsen D25/68
5,153,966 A	10/1992	Godwin	

5,232,233 A	8/1993	Jedora	
5,382,032 A	1/1995	Wilson	
5,566,780 A	10/1996	Bambrough	
5,590,739 A	1/1997	High et al.	
5,653,306 A *	8/1997	Bendickson et al. 182/15
5,794,307 A	8/1998	Overcash et al.	
6,328,330 B1	12/2001	Haaser	
6,585,084 B2 *	7/2003	Gannon 182/129
6,592,134 B2	7/2003	Abraham	
D482,131 S *	11/2003	Fine et al. D25/68
6,688,426 B1 *	2/2004	Mikros 182/17

* cited by examiner

Primary Examiner—Doris Clark

(74) *Attorney, Agent, or Firm*—TraskBritt

(57) **CLAIM**

The ornamental design for a ladder wheel pair, as shown and described.

DESCRIPTION

FIG. 1 is a perspective view of a ladder wheel pair as coupled to a lower portion of a ladder showing our new design;

FIG. 2 is a front view of one of the ladder wheels shown in FIG. 1;

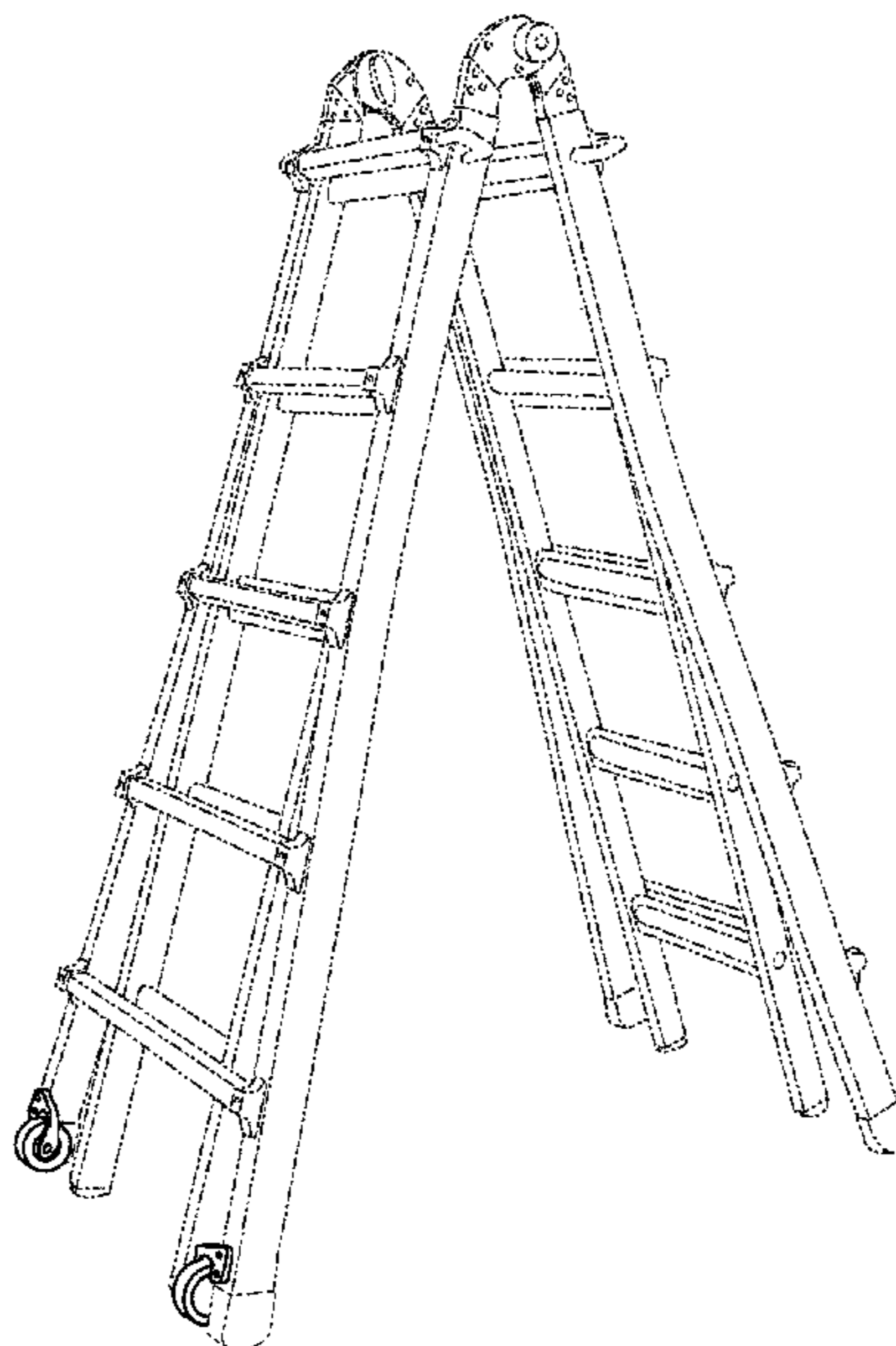
FIG. 3 is a bottom view of the ladder wheel shown in FIG. 2;

FIG. 4 is a bottom-right-front perspective view of the ladder wheel shown in FIG. 2;

FIG. 5 is a top-left-front perspective view of the ladder wheel shown in FIG. 2; and,

FIG. 6 is an enlarged perspective view shown from the opposite side of the ladder wheel pair shown in FIG. 1.

1 Claim, 3 Drawing Sheets



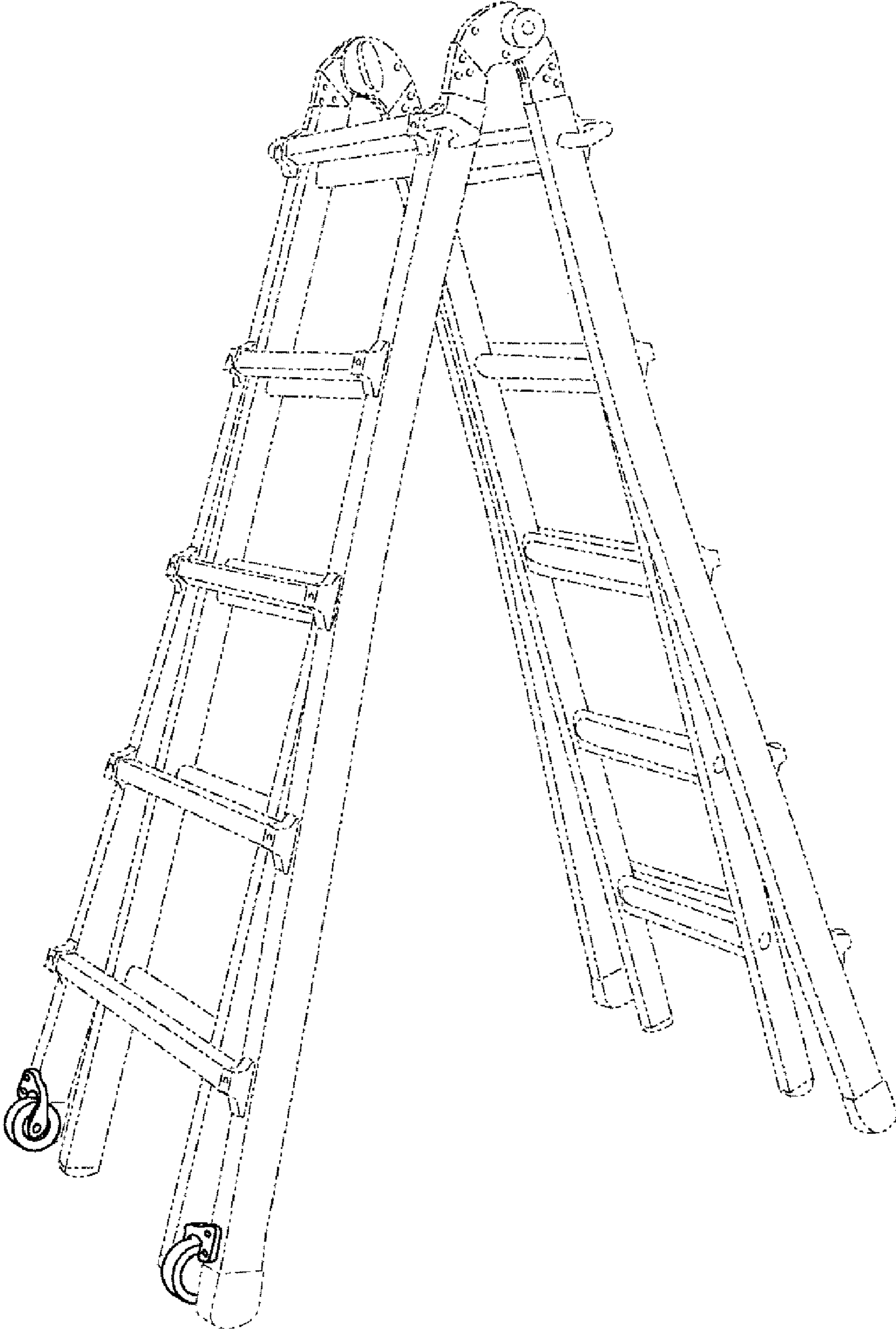


FIG. 1

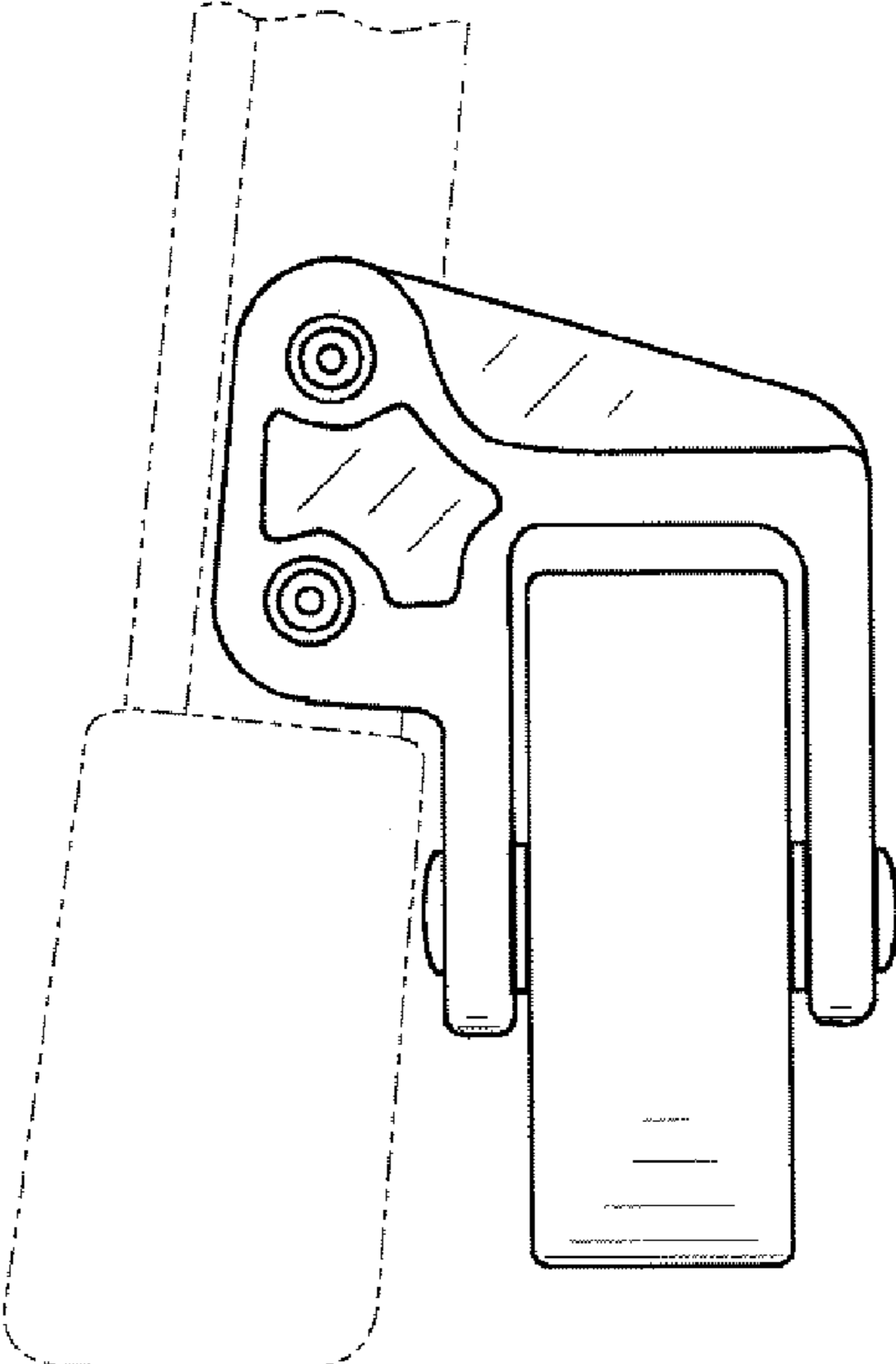


FIG. 2

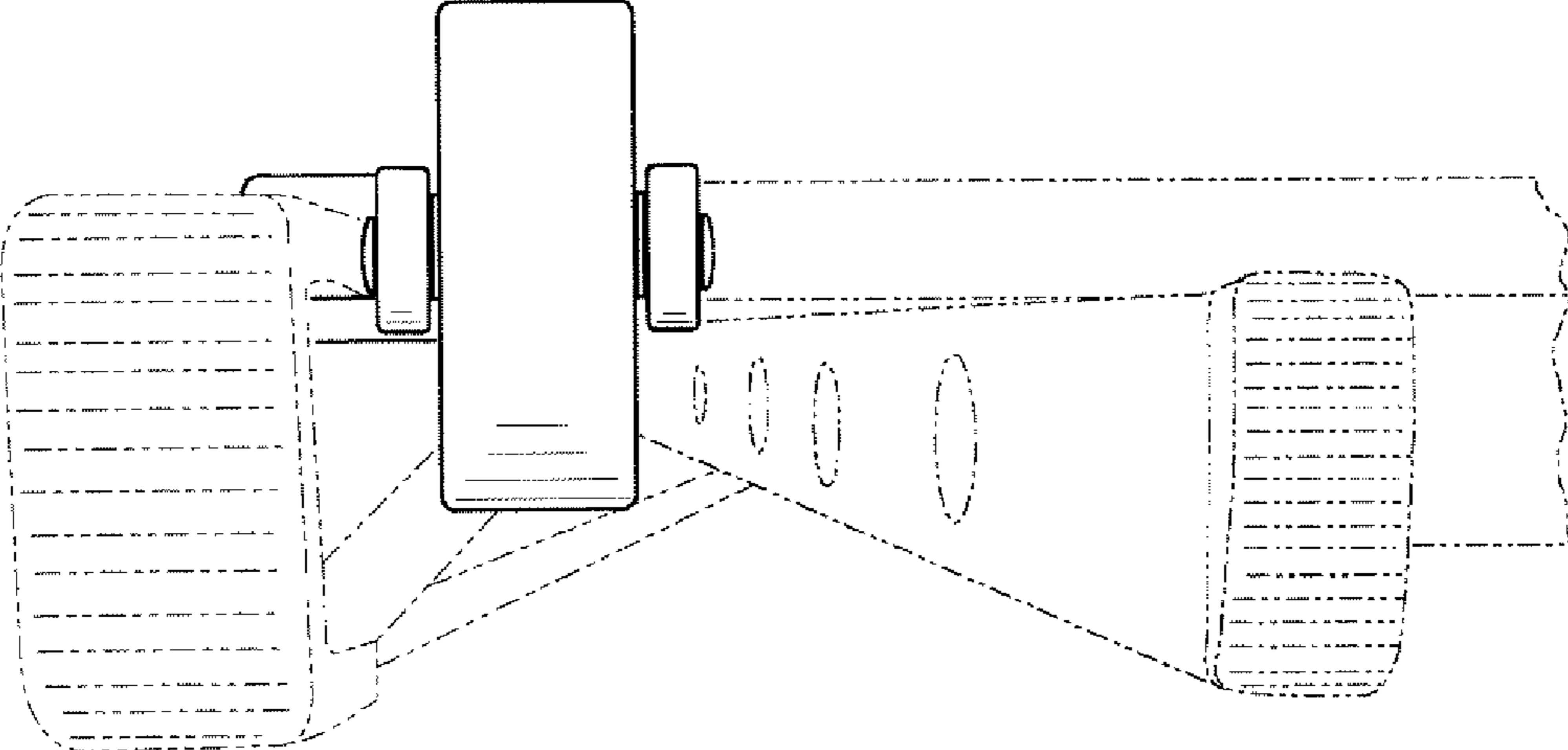


FIG. 3

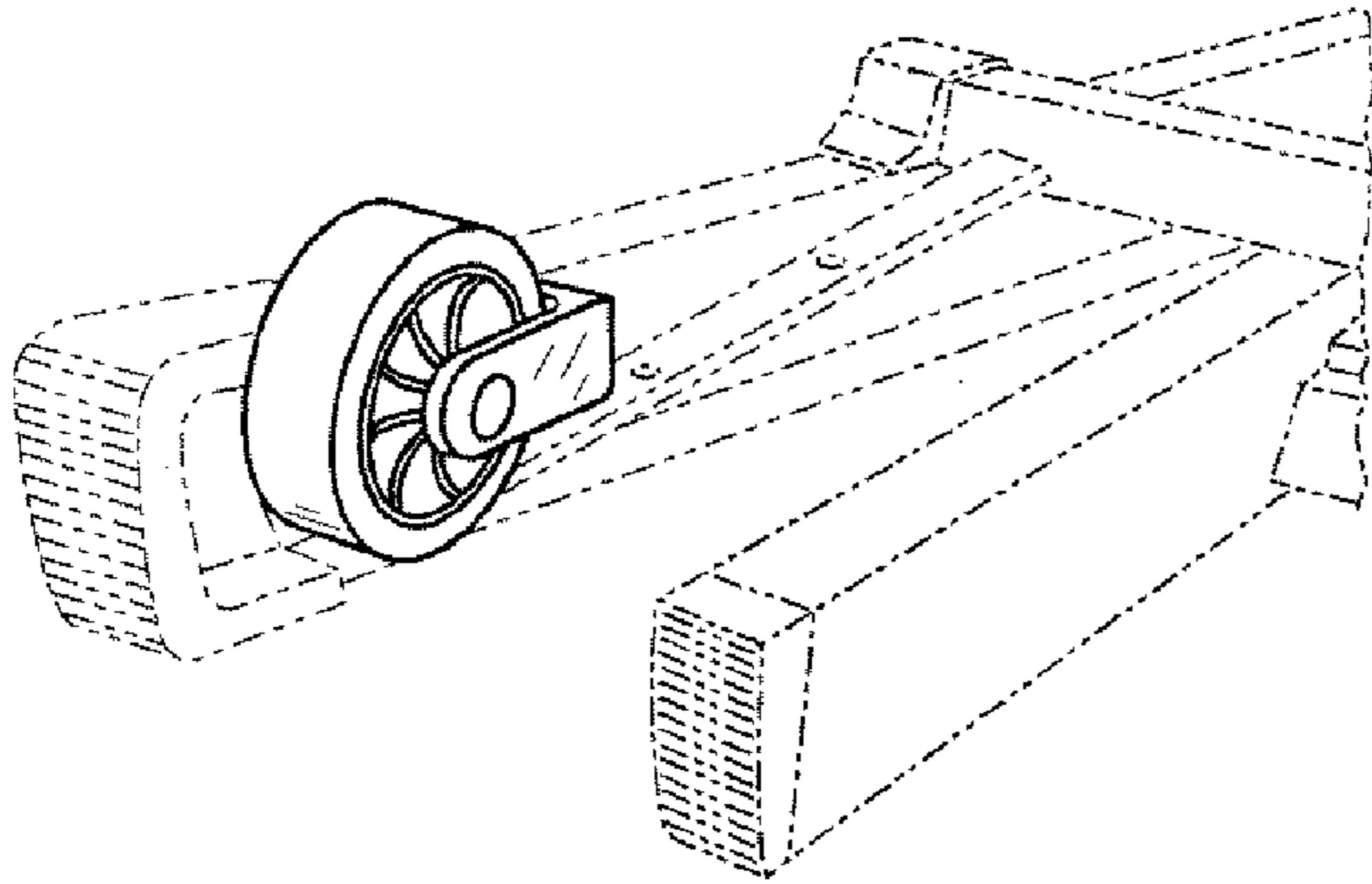


FIG. 4

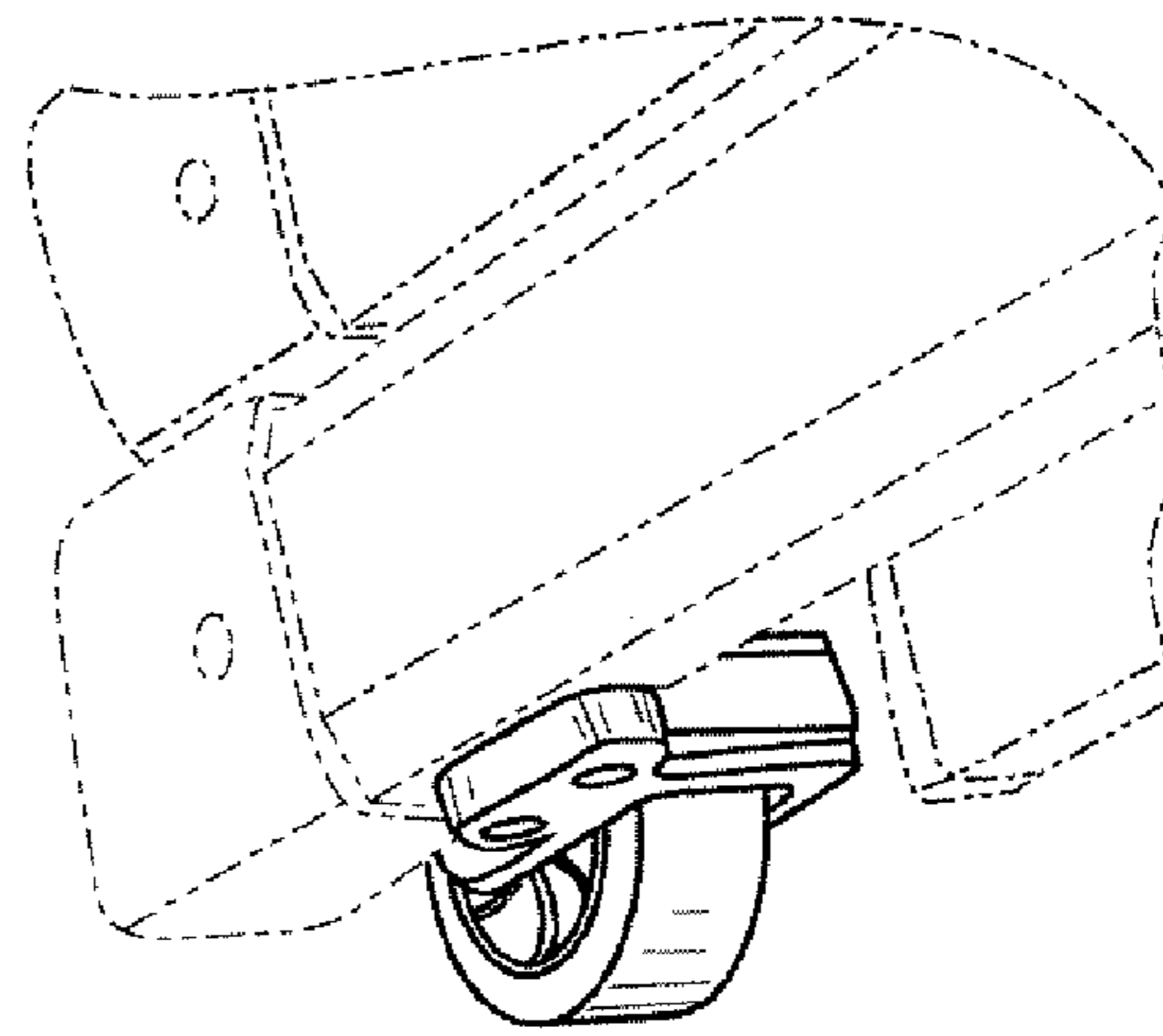


FIG. 5

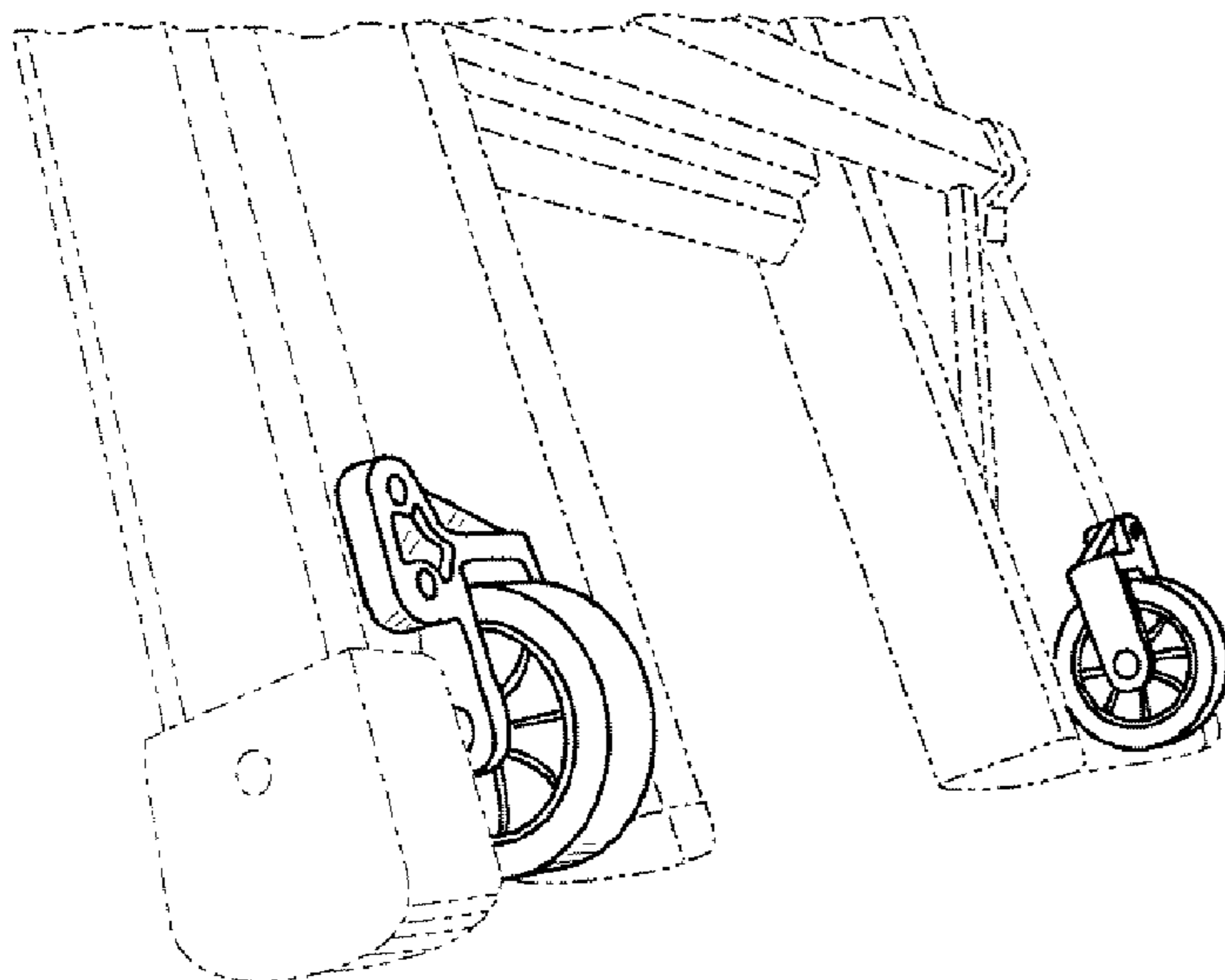


FIG. 6