

US00D560000S

(12) **United States Design Patent**
Hernandez

(10) **Patent No.:** **US D560,000 S**
(45) **Date of Patent:** **** Jan. 15, 2008**

(54) **REINFORCING STRUT FOR GARAGE DOOR**

Primary Examiner—Doris Clark
(74) *Attorney, Agent, or Firm*—Albert Bordas, P.A.

(76) **Inventor:** **Juan R. Hernandez**, 9422 NW. 109th St., Medley, FL (US) 33178

(57) **CLAIM**

The ornamental design for a reinforcing strut for garage door, as shown and described.

(**) **Term:** **14 Years**

(21) **Appl. No.:** **29/252,922**

DESCRIPTION

(22) **Filed:** **Jan. 31, 2006**

(51) **LOC (8) Cl.** **25-02**

FIG. 1 is a top plan view of a reinforcing strut for garage door showing my new design;

(52) **U.S. Cl.** **D25/61**

FIG. 2 is a front elevational view thereof, the rear elevational view being a mirror image thereof;

(58) **Field of Classification Search** D25/121, D25/123, 22, 125; 52/739.1; 160/120, 89, 160/90, 98

FIG. 3 is a bottom plan view thereof;

See application file for complete search history.

FIG. 4 is a left elevational view thereof, the right elevational view being a mirror image thereof;

(56) **References Cited**

FIG. 5 is an isometric view thereof; and,

U.S. PATENT DOCUMENTS

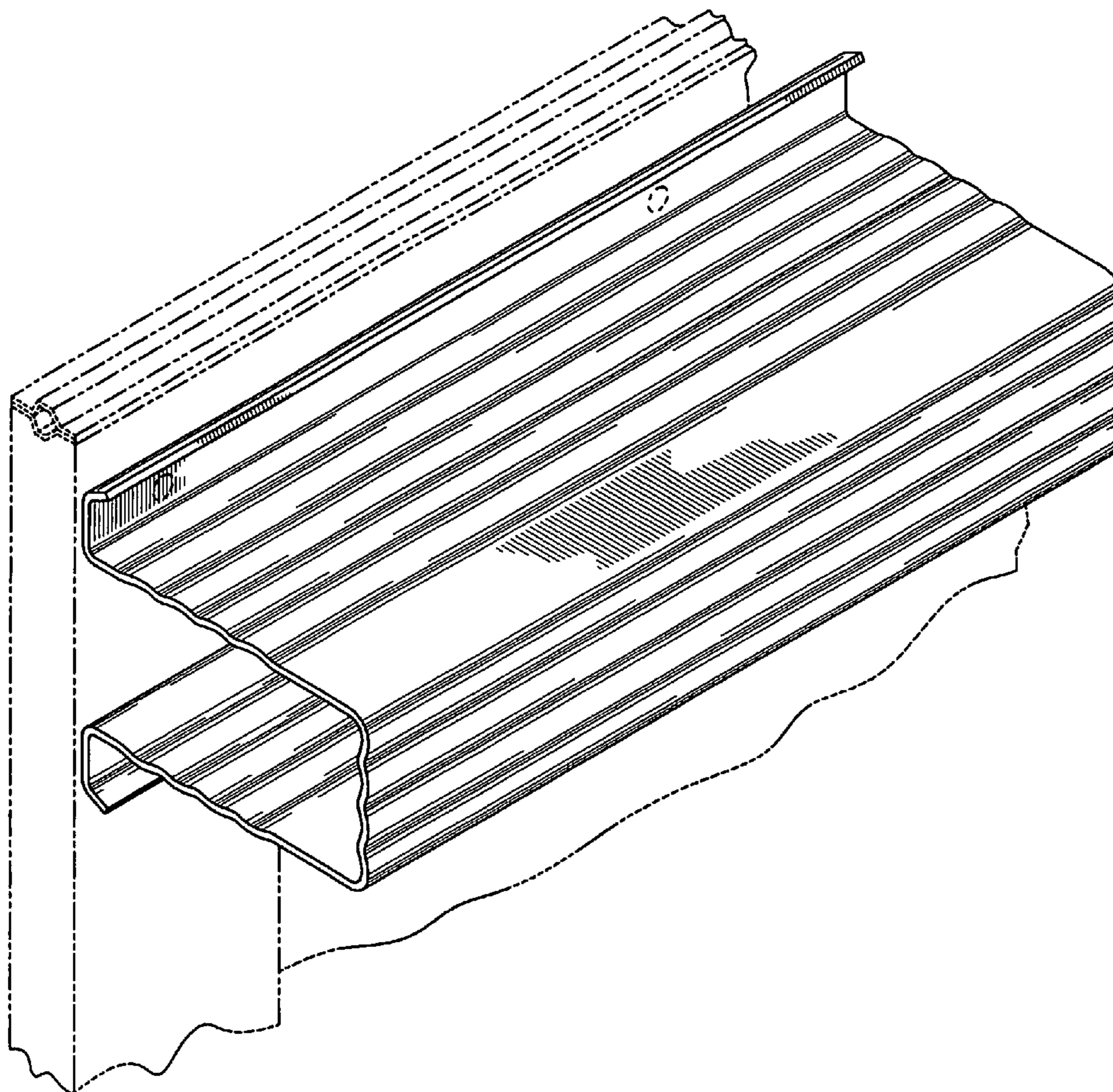
FIG. 6 is an isometric view thereof, showing my design mounted to a garage door.

5,979,533 A * 11/1999 Dupuie 160/84.06
D455,841 S * 4/2002 Fisher et al. D25/61

The phantom lines are for environmental purposes only and form no part of the claimed design.

* cited by examiner

1 Claim, 3 Drawing Sheets



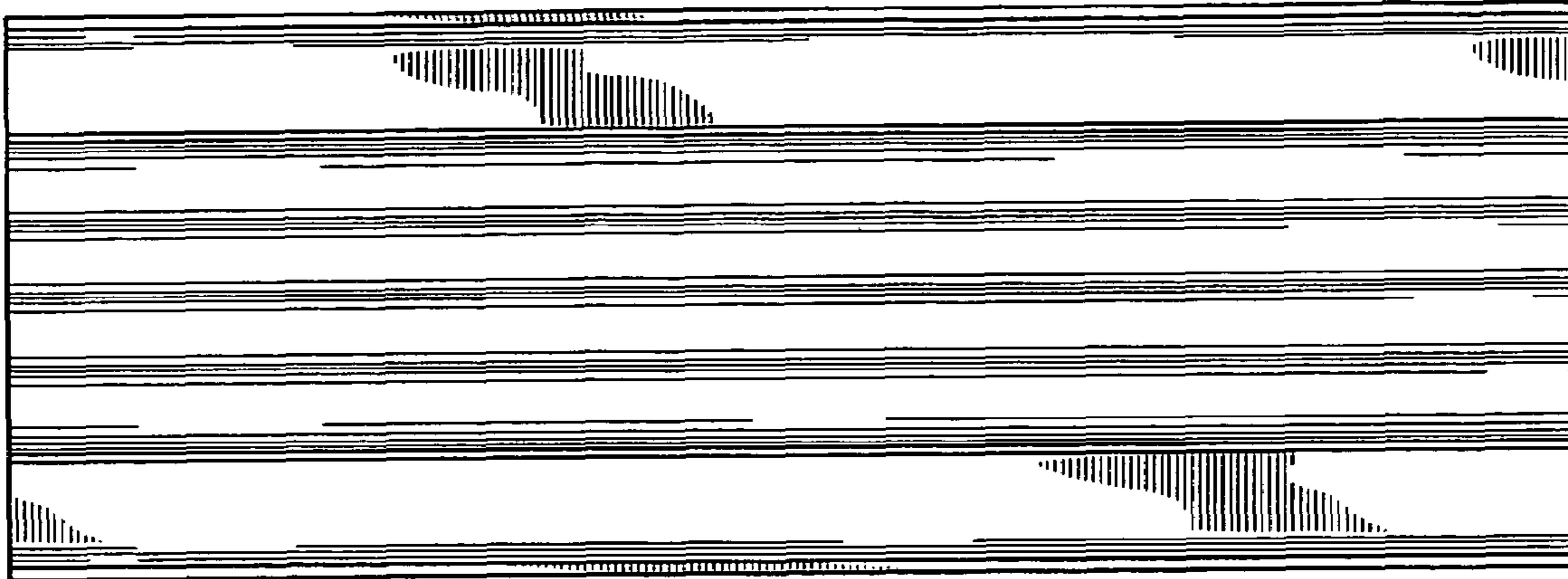


Fig. 1

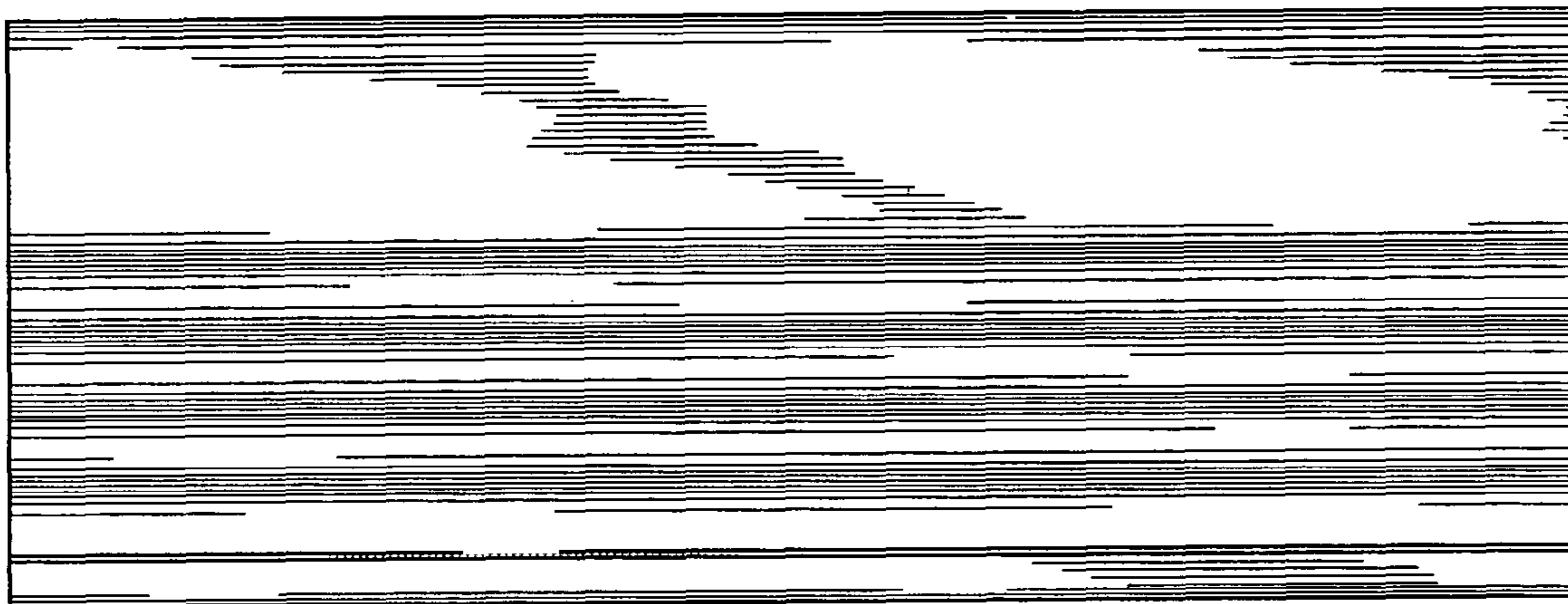


Fig. 2

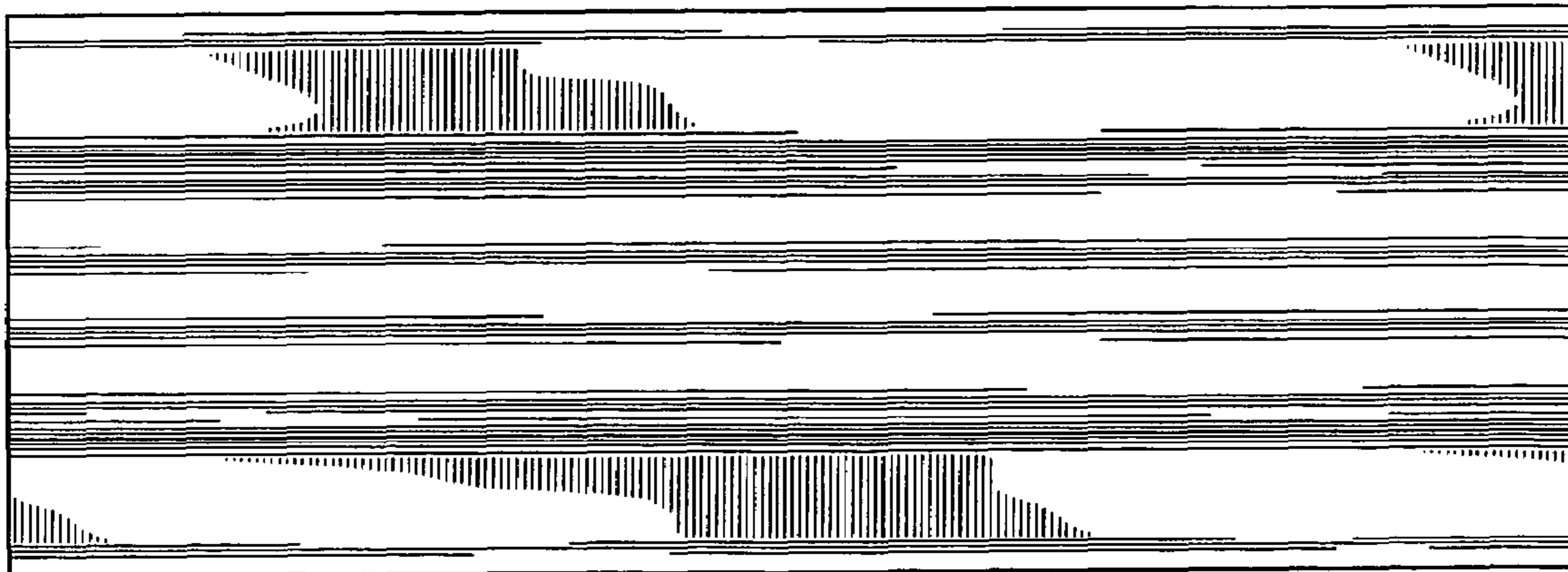


Fig. 3

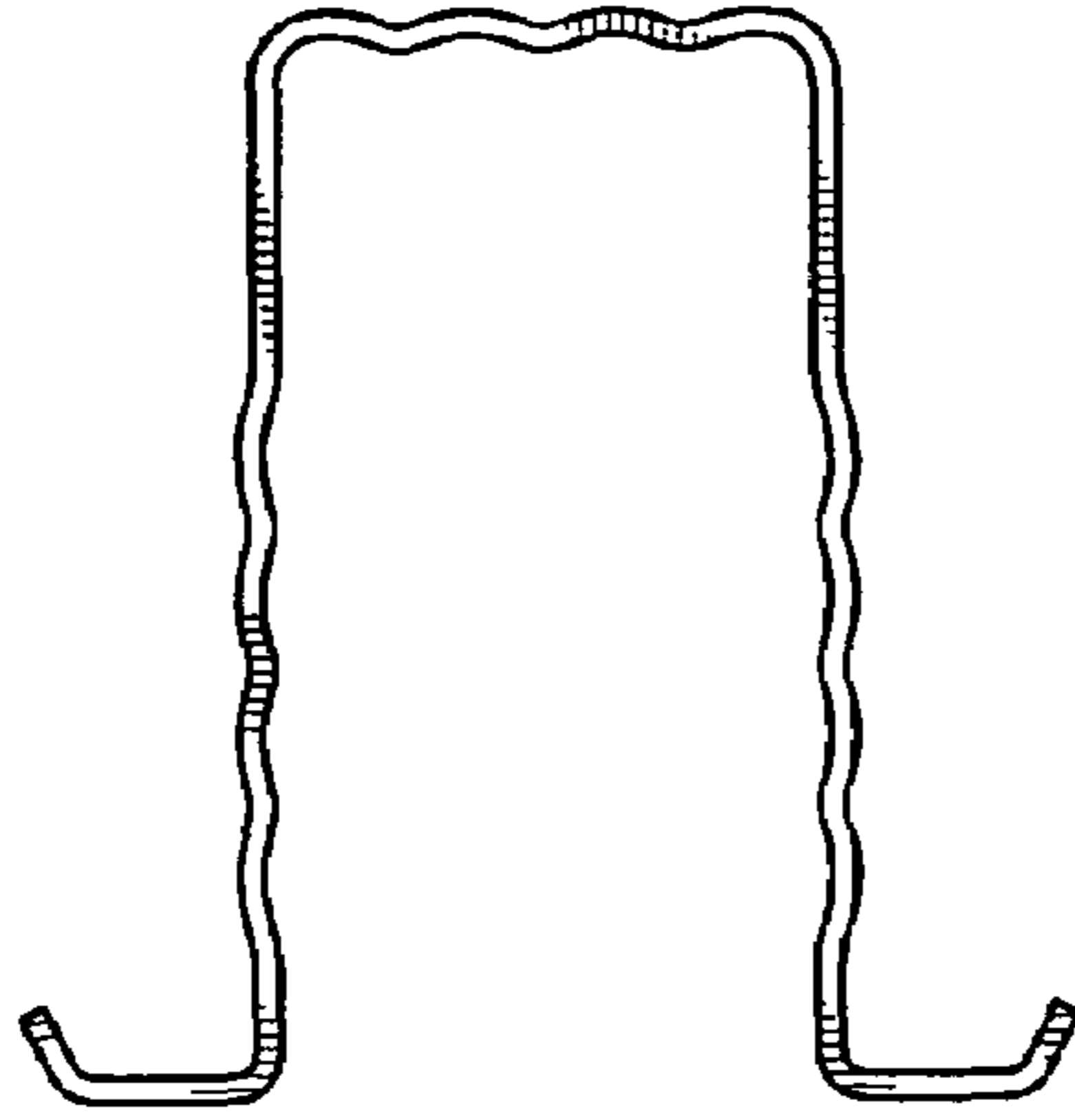


Fig. 4

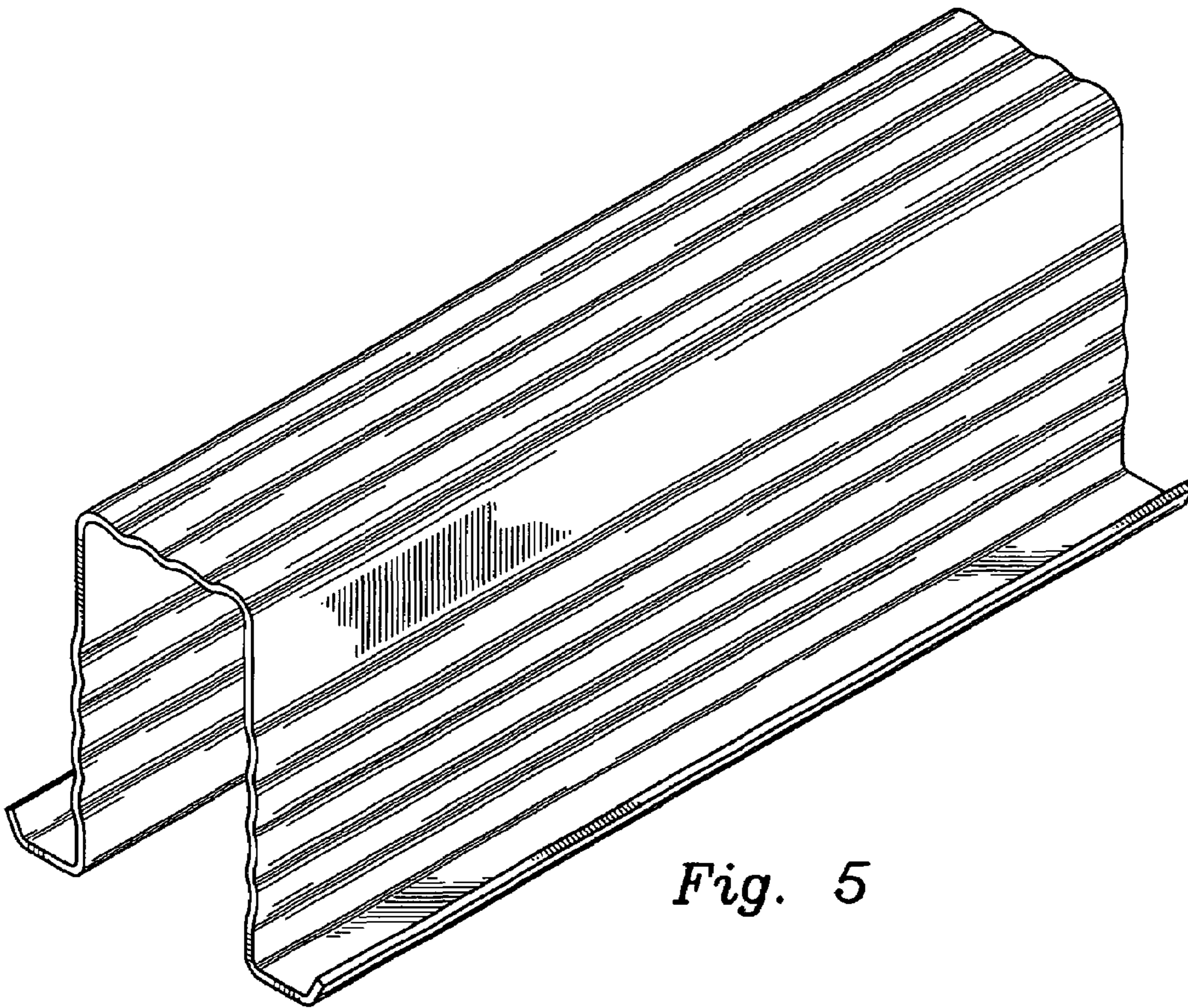


Fig. 5

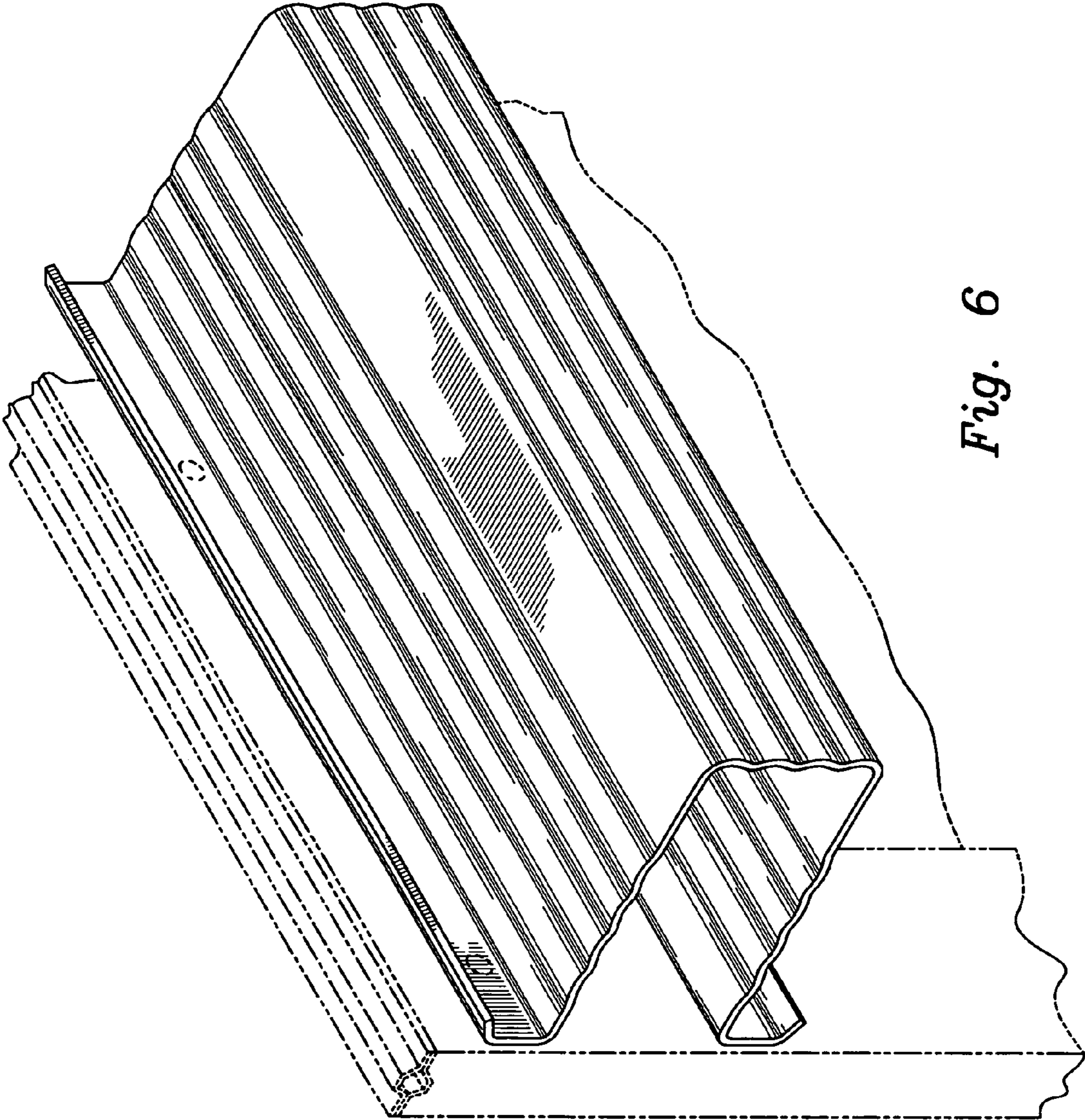


Fig. 6