



US00D559997S

(12) **United States Design Patent**  
**Sugimori et al.**

(10) **Patent No.:** **US D559,997 S**  
(45) **Date of Patent:** **\*\* Jan. 15, 2008**

(54) **INDOOR ROOM**

(75) Inventors: **Yuji Sugimori**, Tokyo (JP); **Naoaki Shoui**, Tokyo (JP); **Motohiko Higashiguchi**, Tokyo (JP)

(73) Assignee: **Sega Corporation**, Tokyo (JP)

(\*\*) Term: **14 Years**

(21) Appl. No.: **29/258,647**

(22) Filed: **Apr. 26, 2006**

(30) **Foreign Application Priority Data**

Jan. 12, 2006 (JP) ..... 2006-000396

(51) **LOC (8) Cl.** ..... **25-03**

(52) **U.S. Cl.** ..... **D25/33**

(58) **Field of Classification Search** ..... D25/33;  
52/79.1, 90.1, 236.1, 262, 270, 639, 205,  
52/251, 22

See application file for complete search history.

(56) **References Cited**

**U.S. PATENT DOCUMENTS**

646,321	A *	3/1900	Simpson	.....	52/262
2,120,861	A *	6/1938	Hastings	.....	52/262
2,176,980	A *	10/1939	Sherron	.....	52/22
3,293,814	A *	12/1966	Zugehor	.....	52/251
4,843,788	A *	7/1989	Gavin et al.	.....	52/205
D339,870	S *	9/1993	Carlin	.....	D25/33
2006/0168901	A1 *	8/2006	Window	.....	52/79.1

\* cited by examiner

*Primary Examiner*—Ian Simmons

*Assistant Examiner*—Eric L Goodman

(74) *Attorney, Agent, or Firm*—Dickstein Shapiro LLP

(57) **CLAIM**

The ornamental design for an indoor room, as shown and described.

**DESCRIPTION**

FIG. 1 is a front, top and right side perspective view of our new design for an indoor room;

FIG. 2 is a front elevational view of the indoor room of FIG. 1;

FIG. 3 is a rear elevational view of the indoor room of FIG. 1;

FIG. 4 is a right side elevational view of the indoor room of FIG. 1;

FIG. 5 is a left side elevational view of the indoor room of FIG. 1;

FIG. 6 is a top plan view of the indoor room of FIG. 1;

FIG. 7 is a bottom plan view of the indoor room of FIG. 1;

FIG. 8 is a enlarged sectional view of the indoor room of FIG. 1 taken along the line 8—8 in FIG. 2;

FIG. 9 is a enlarged sectional view of the indoor room of FIG. 1 taken along the line 9—9 in FIG. 2;

FIG. 10 is a enlarged sectional view of the indoor room of FIG. 1 taken along the line 10—10 in FIG. 2;

FIG. 11 is a enlarged sectional view of the indoor room of FIG. 1 taken along the line 11—11 in FIG. 2;

FIG. 12 is a enlarged sectional view of the indoor room of FIG. 1 taken along the line 12—12 in FIG. 4; and,

FIG. 13 is a reference view showing the indoor room of FIG. 1 in use.

The broken line showing the fence unit and game device in FIG. 13 are for the purpose of illustrating environmental structure and forms no part of the claimed design.

**1 Claim, 10 Drawing Sheets**

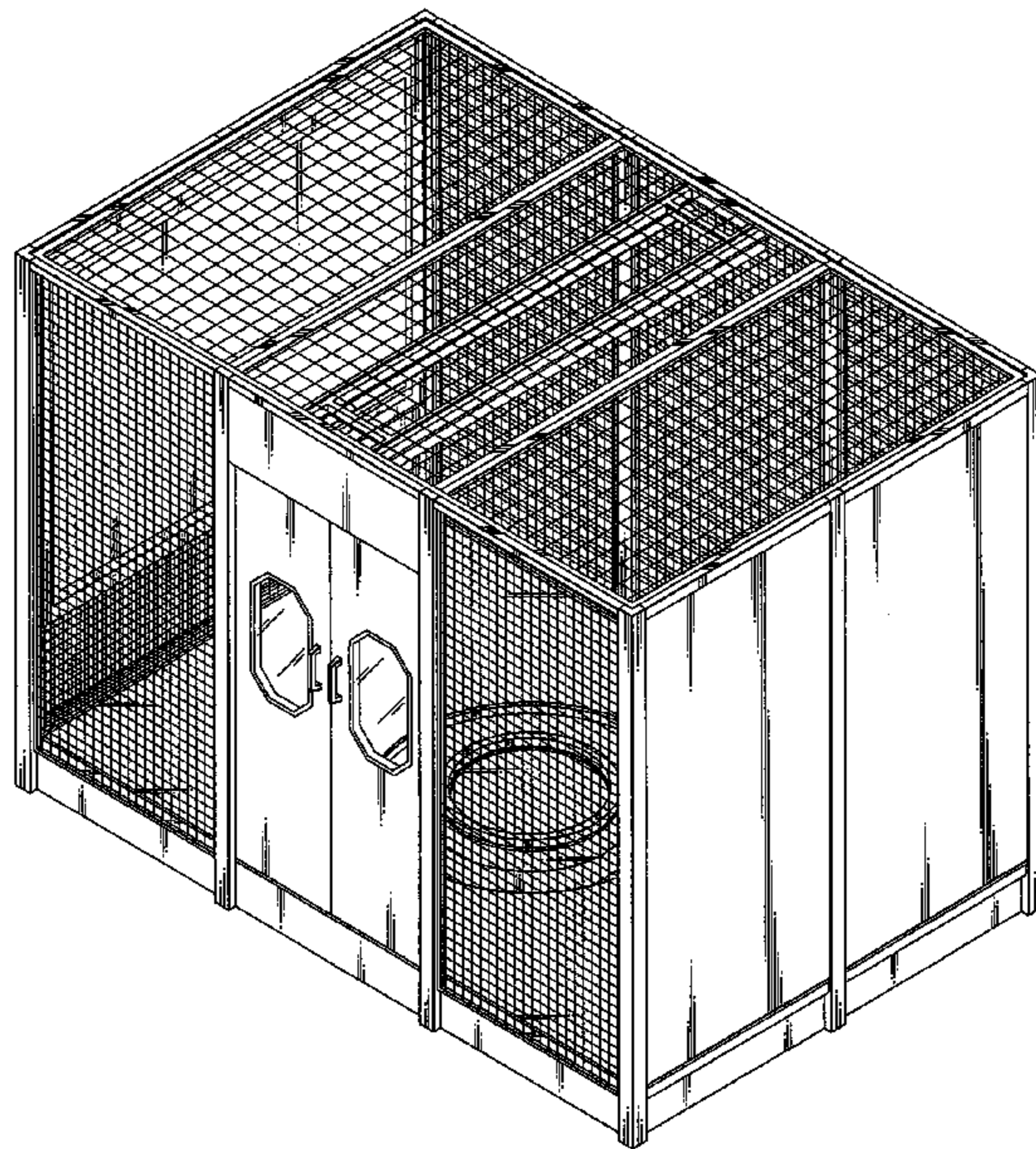


FIG.1

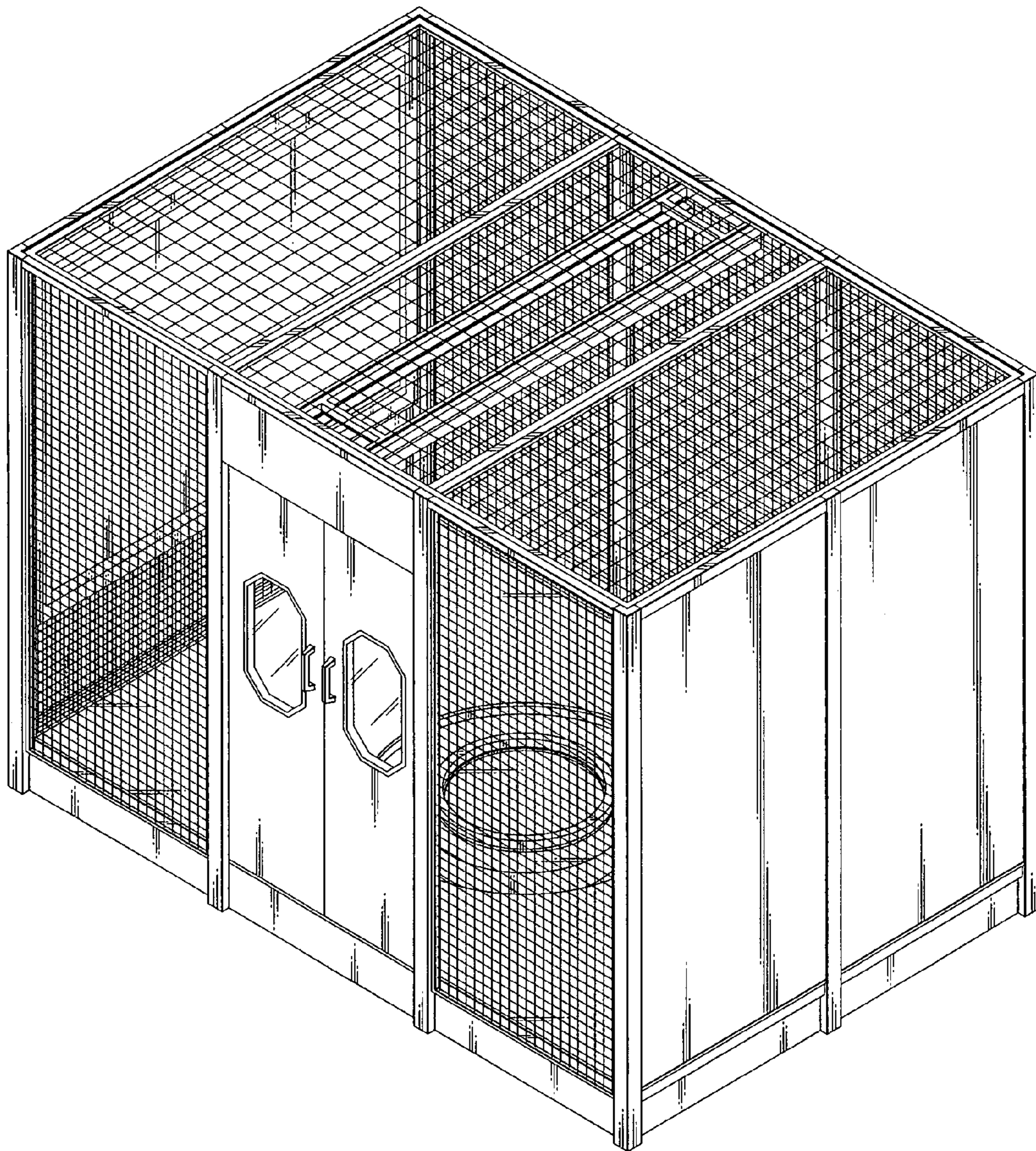
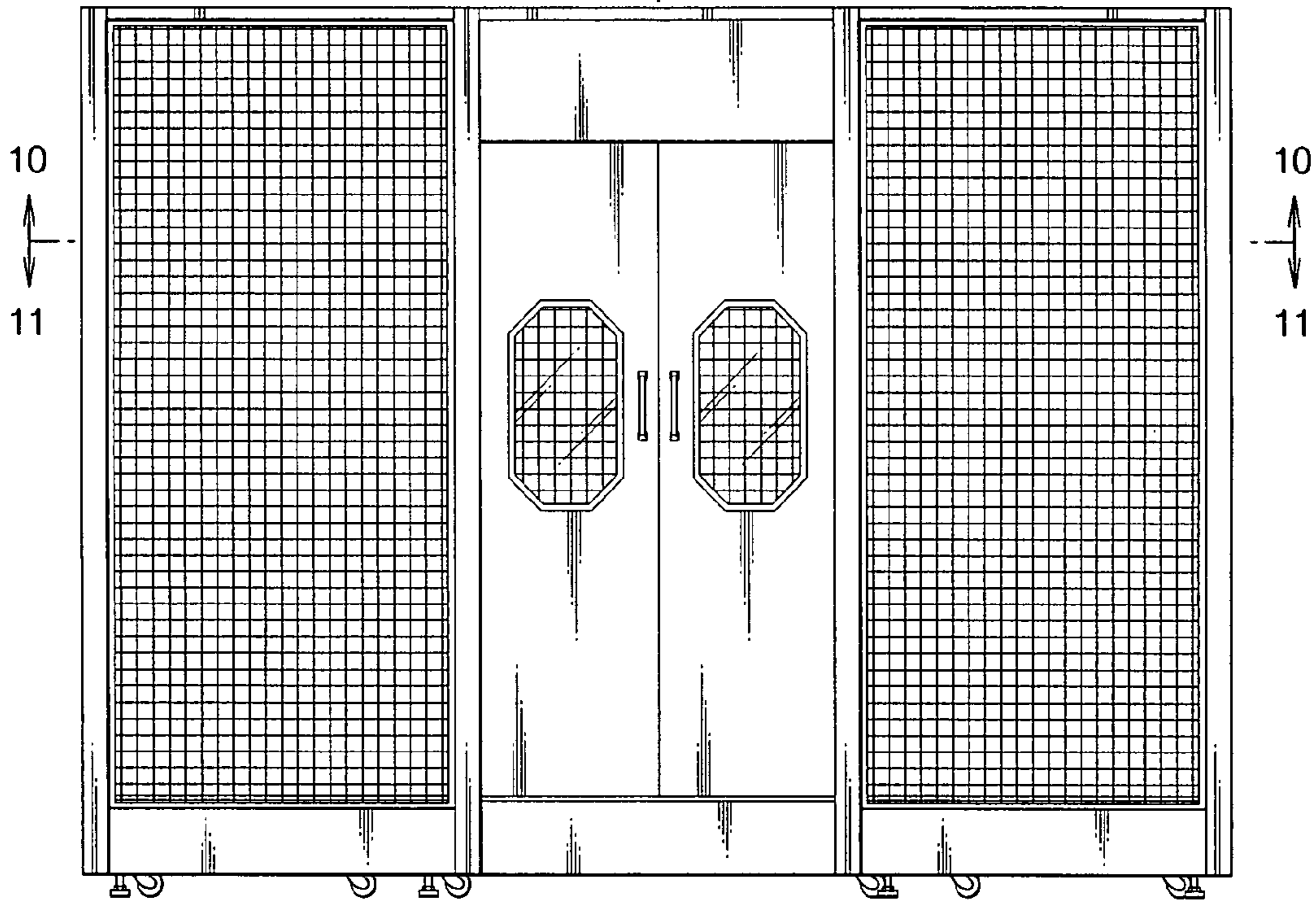


FIG.2

8 ← → 9



8 ← → 9

FIG.3

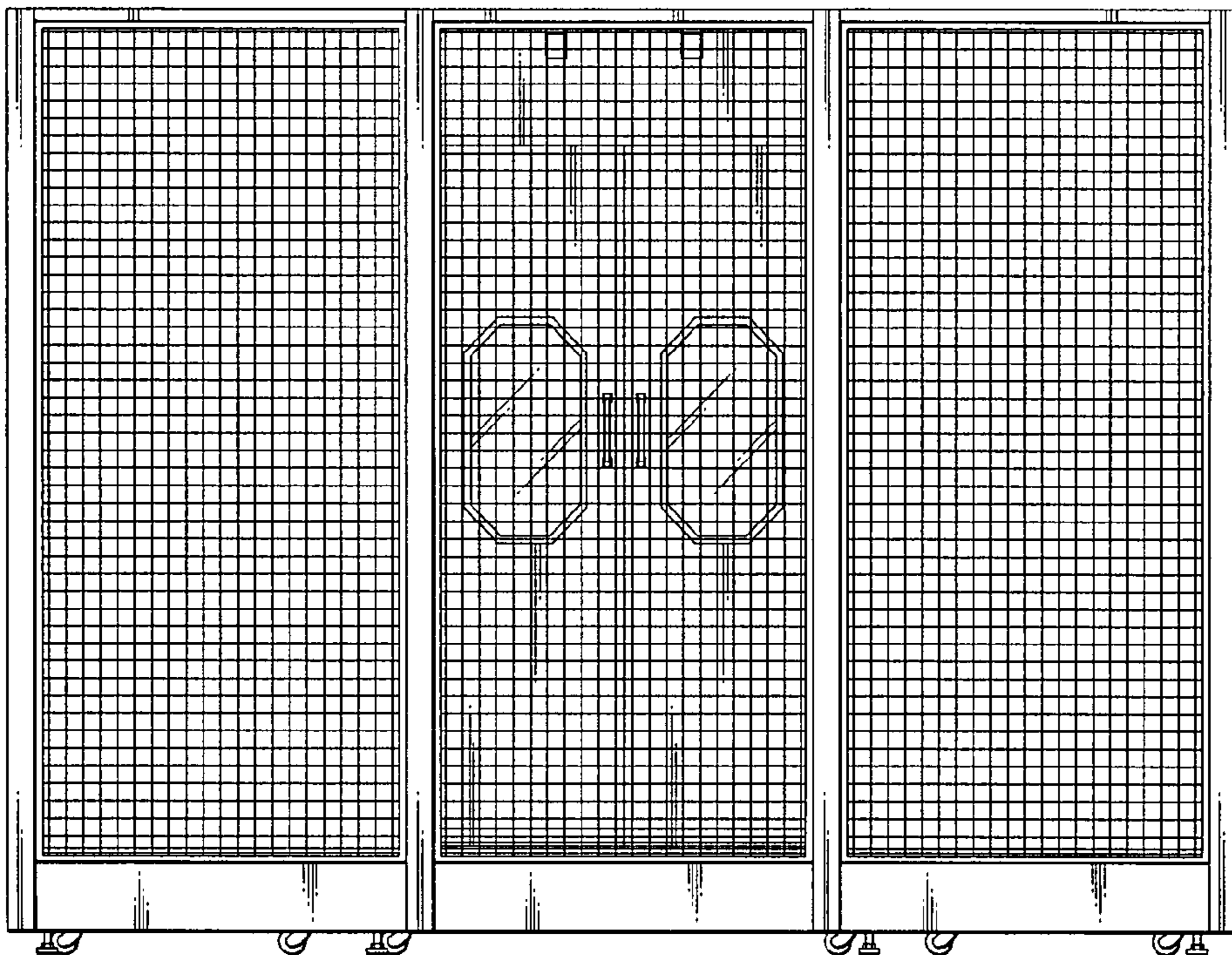


FIG.4

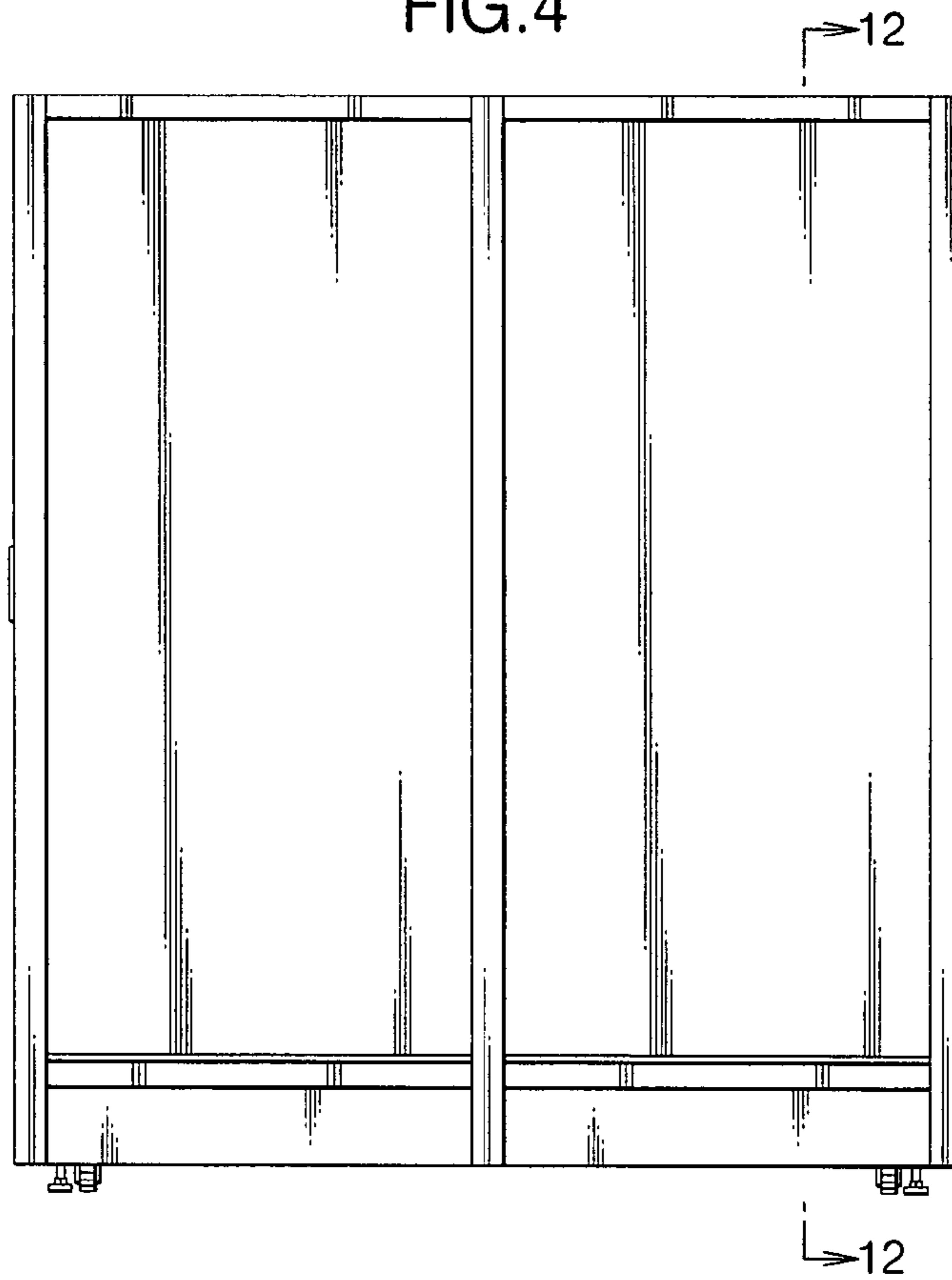


FIG.5

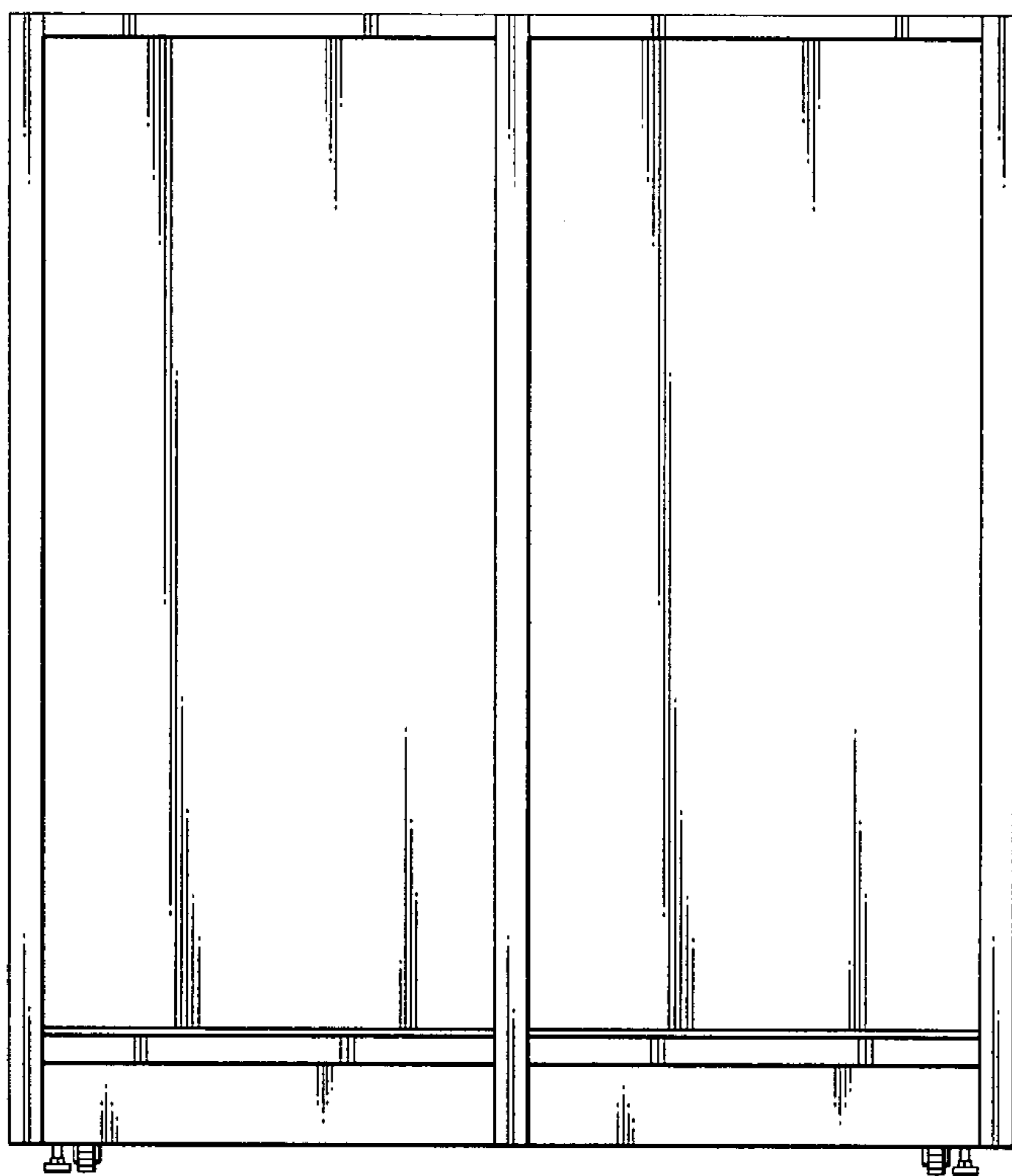


FIG.6

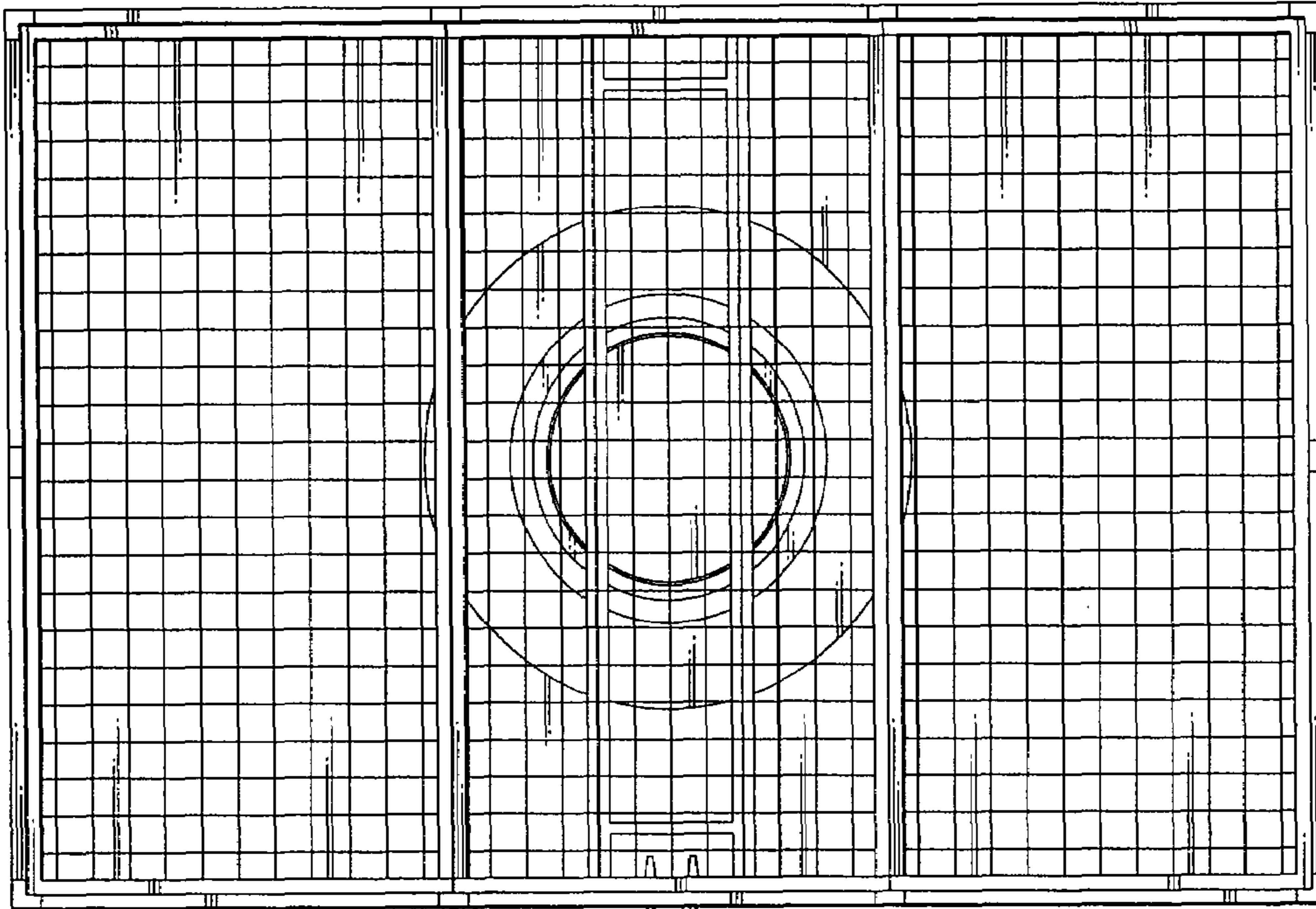


FIG.7

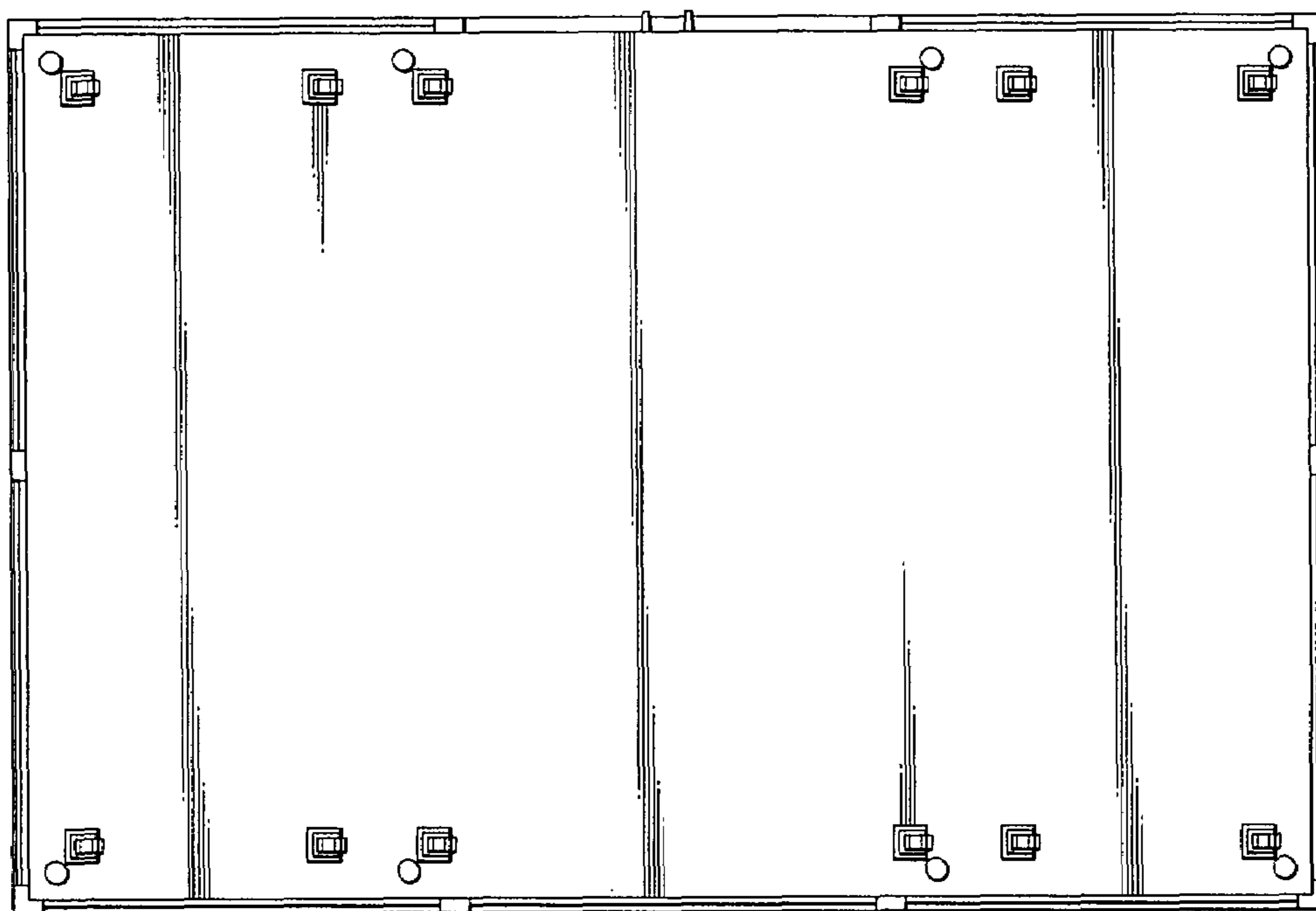


FIG. 8

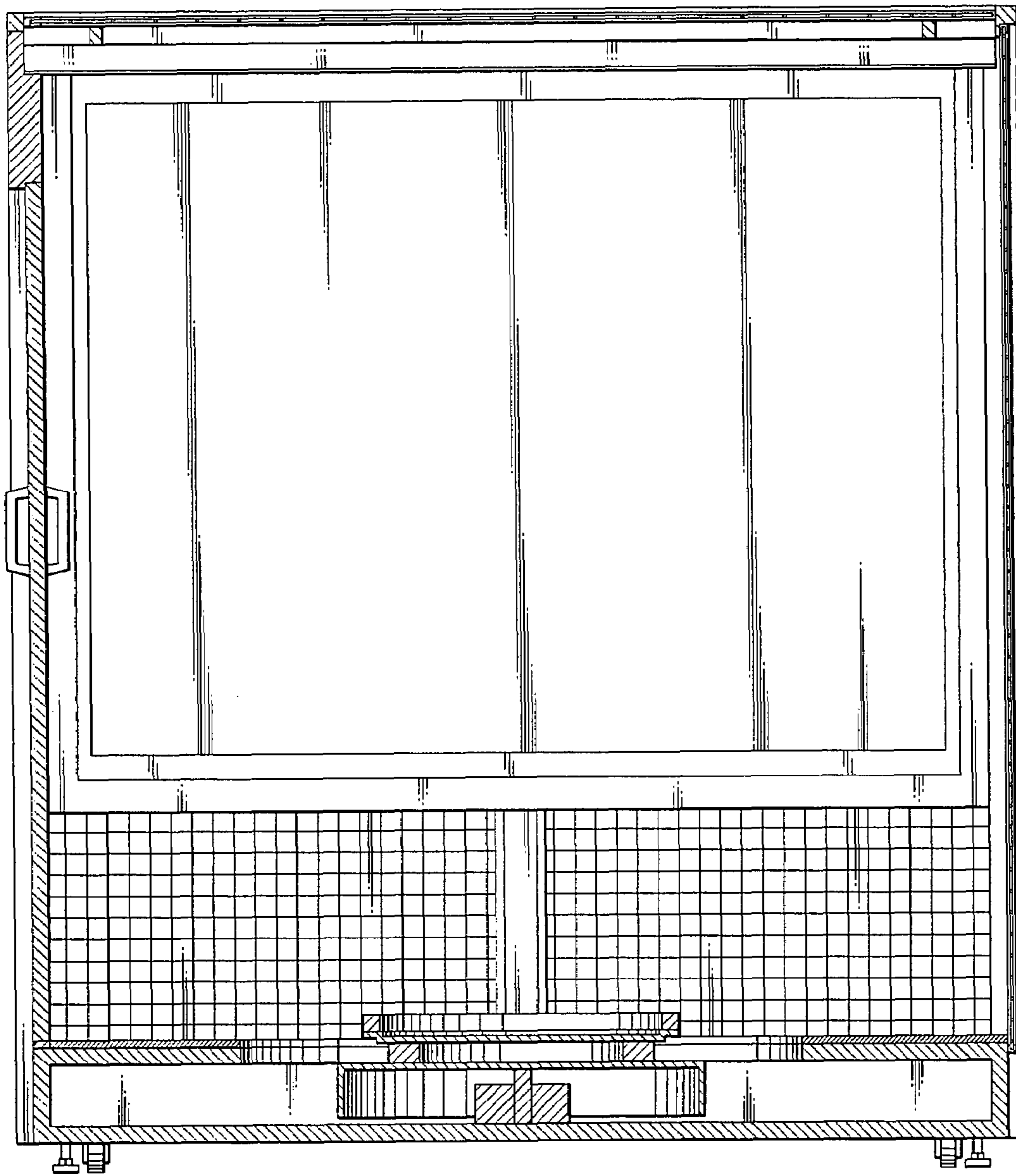


FIG.9

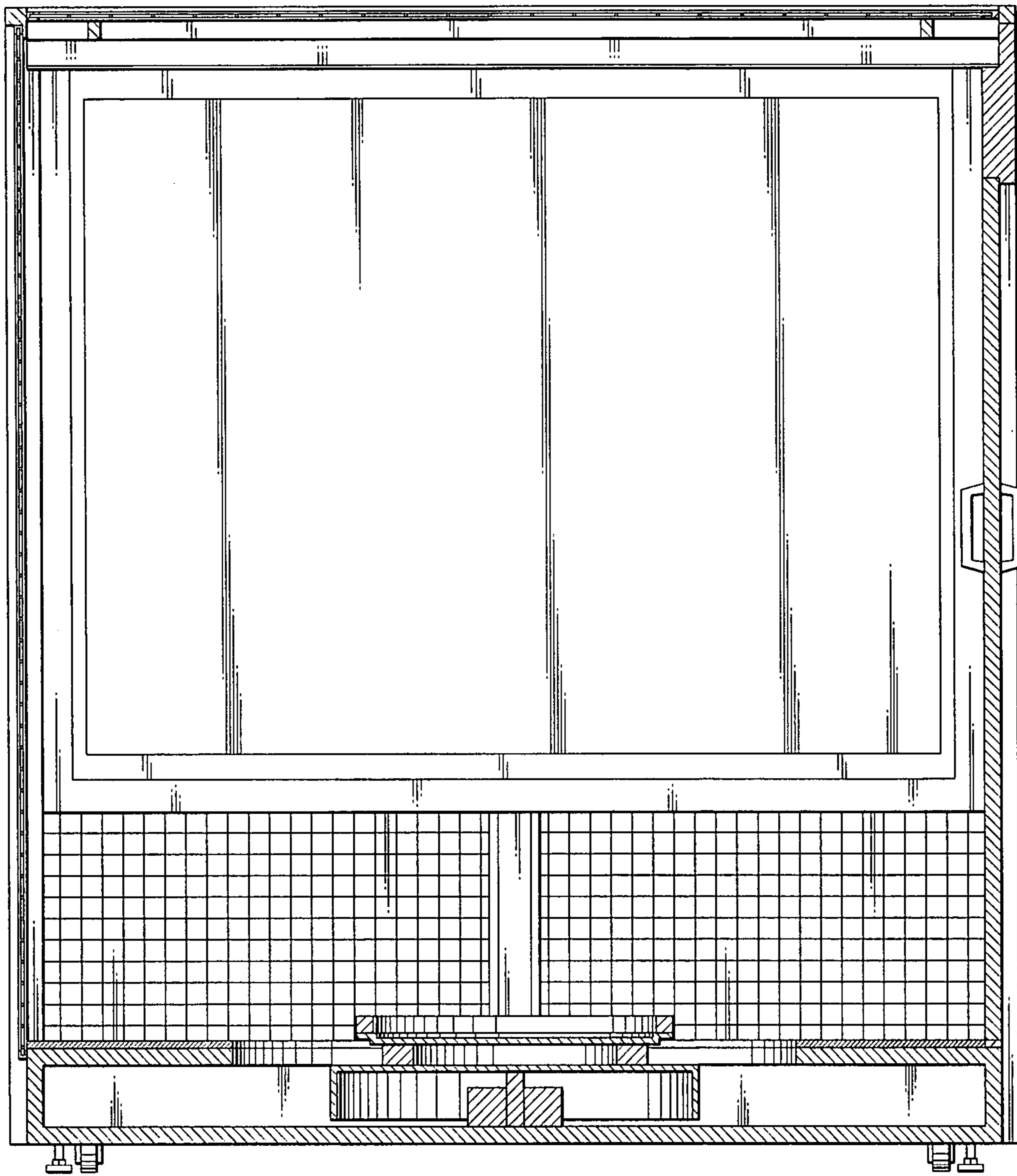


FIG.10

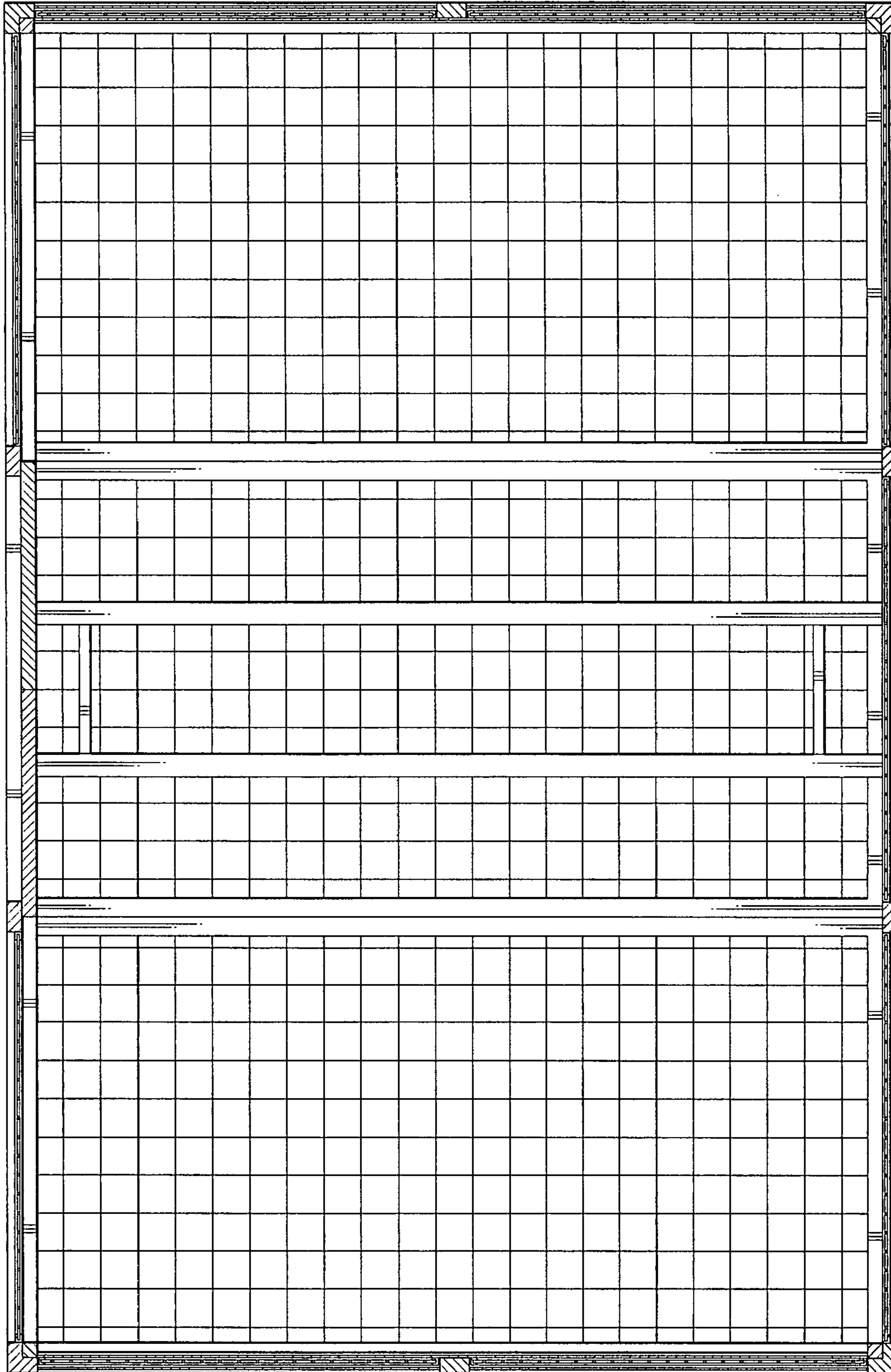
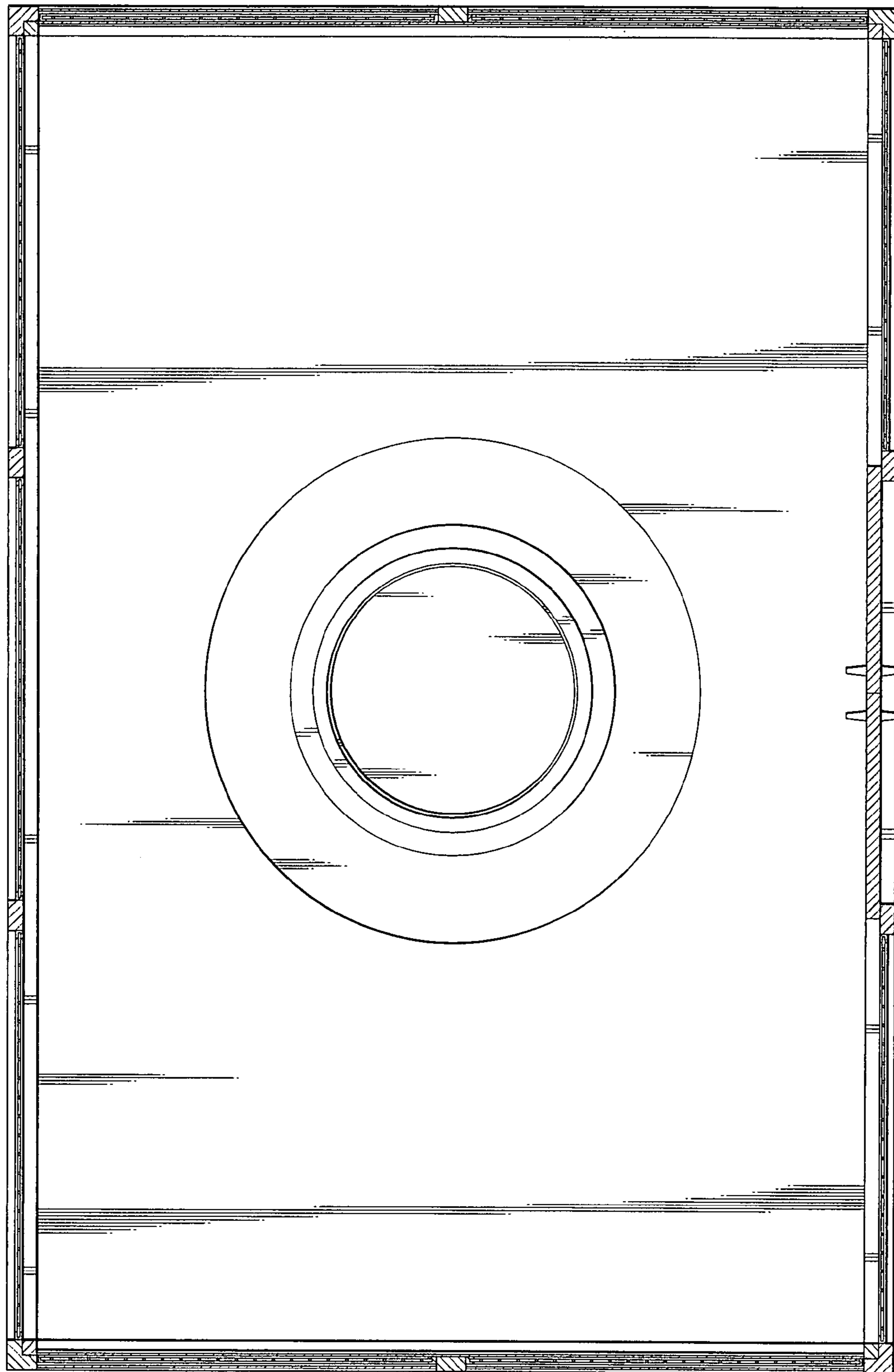




FIG.11



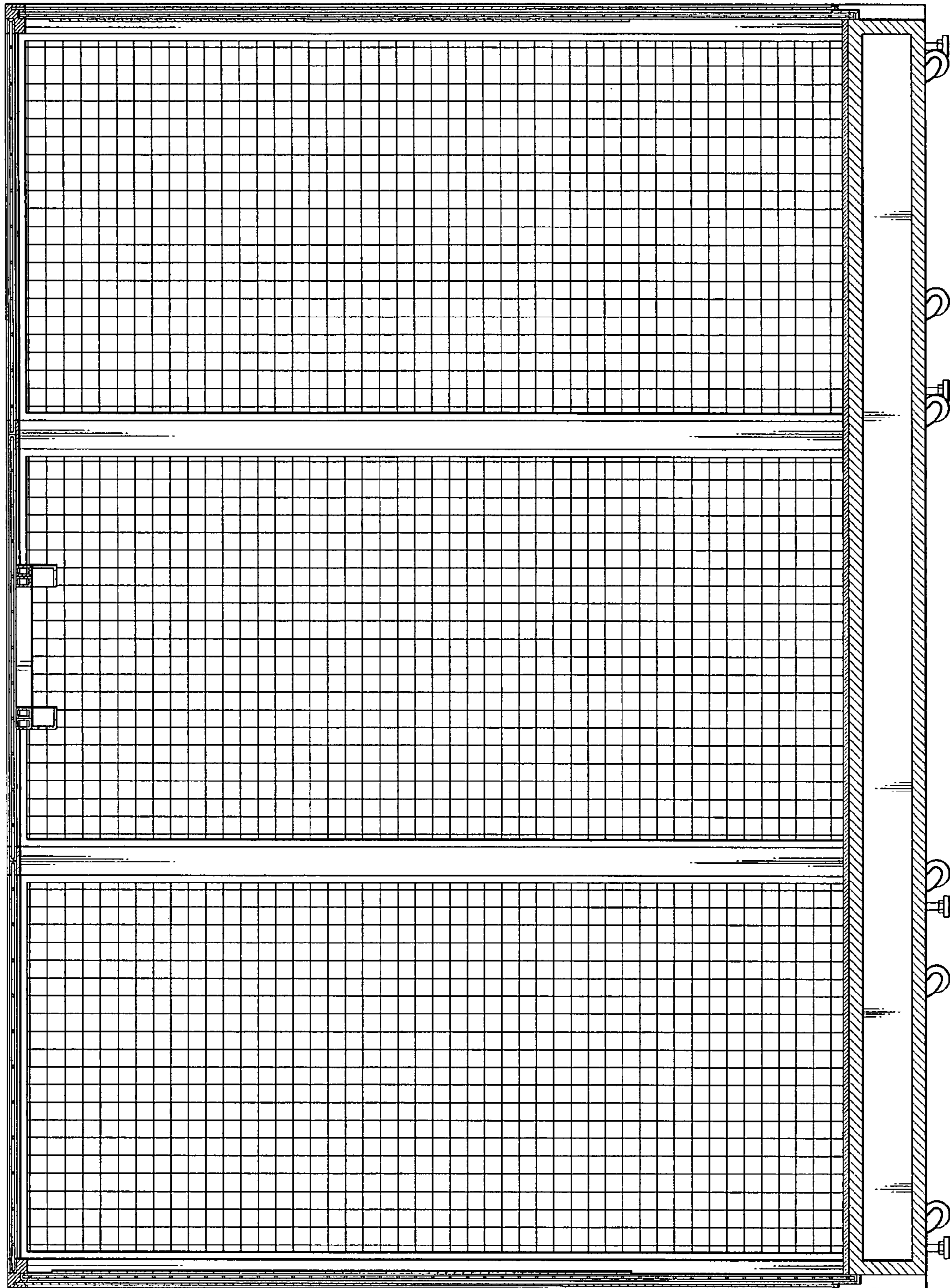


FIG.12

FIG.13

