



US00D55996S

(12) **United States Design Patent**
Okamoto et al.

(10) **Patent No.:** **US D559,996 S**
(45) **Date of Patent:** **** Jan. 15, 2008**

(54) **COMPONENT EXTRACTOR FOR EXTRACTING NUCLEIC ACIDS**

(75) Inventors: **Eiichi Okamoto**, Tokyo (JP); **Aya Okawa**, Tokyo (JP)

(73) Assignee: **Fujifilm Corporation**, Tokyo (JP)

(**) Term: **14 Years**

(21) Appl. No.: **29/268,009**

(22) Filed: **Oct. 27, 2006**

(30) **Foreign Application Priority Data**

May 26, 2006 (JP) 2006-013389

(51) **LOC (8) Cl.** **24-01**

(52) **U.S. Cl.** **D24/232**

(58) **Field of Classification Search** D24/186,
D24/216-232; 422/57, 58, 62-64, 102, 104;
D10/81; 435/6, 270; 436/514
See application file for complete search history.

(56) **References Cited**

U.S. PATENT DOCUMENTS

D319,314 S *	8/1991	Crouch	D24/224
D334,237 S *	3/1993	Collister et al.	D24/186
5,352,609 A *	10/1994	Boquet	435/270
D400,673 S *	11/1998	Kheiri et al.	D24/232
D413,391 S *	8/1999	Lapeus et al.	D24/227
D414,561 S *	9/1999	Escoffier	D24/223
D421,130 S *	2/2000	Cohen et al.	D24/229
D527,464 S *	8/2006	Ina et al.	D24/216

2002/0019060 A1 *	2/2002	Petersen et al.	436/514
2003/0044323 A1 *	3/2003	Diamond et al.	422/102
2004/0126783 A1 *	7/2004	Bortolin et al.	435/6
2006/0245970 A1 *	11/2006	Lee	422/57

* cited by examiner

Primary Examiner—Robert A. Delehanty

Assistant Examiner—Mark Cavanna

(74) *Attorney, Agent, or Firm*—Young & Thompson

(57) **CLAIM**

The ornamental design for a component extractor for extracting nucleic acids, as shown and described.

DESCRIPTION

FIG. 1 is a top, front and side perspective view of a component extractor for extracting nucleic acids, showing our new design;

FIG. 2 is a front elevational view thereof;

FIG. 3 is a rear elevational view thereof;

FIG. 4 is a top plan view thereof;

FIG. 5 is a bottom plan view thereof;

FIG. 6 is a side elevational view thereof from the left of FIG. 2;

FIG. 7 is a side elevational view thereof from the right of FIG. 2; and,

FIG. 8 is a view similar to FIG. 1 but with a part thereof in a detached position.

1 Claim, 5 Drawing Sheets

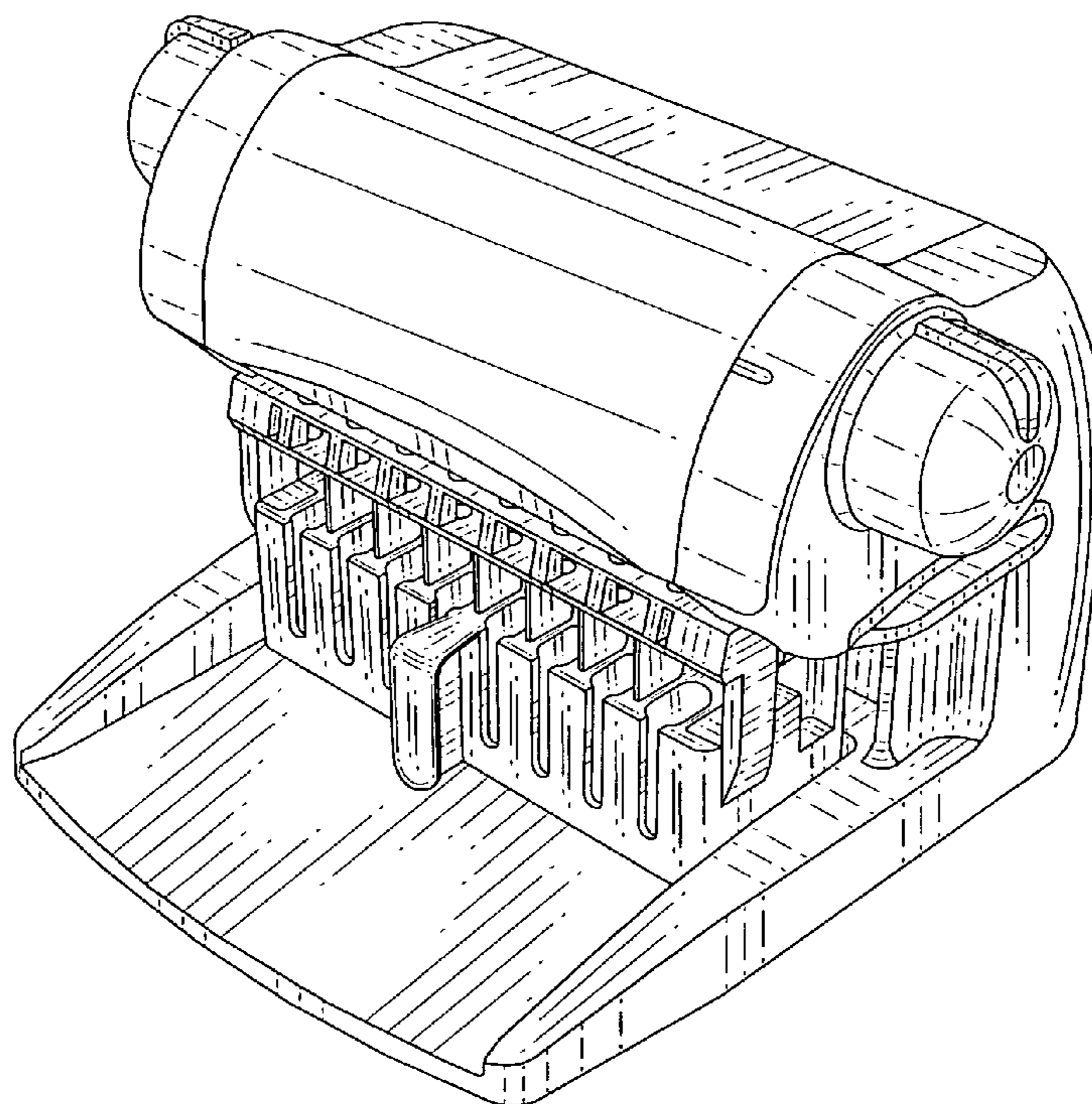


FIG.1

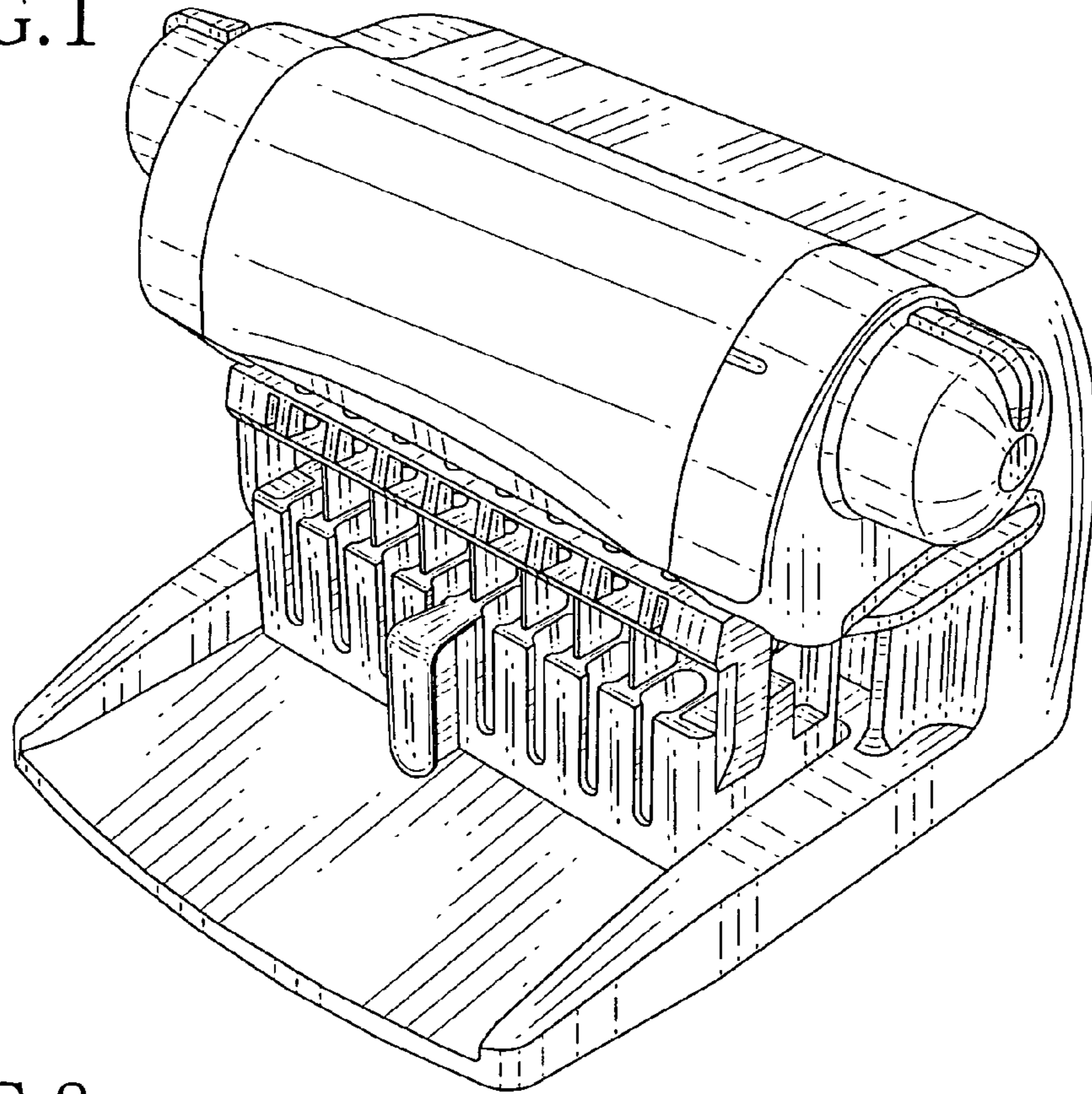


FIG.2

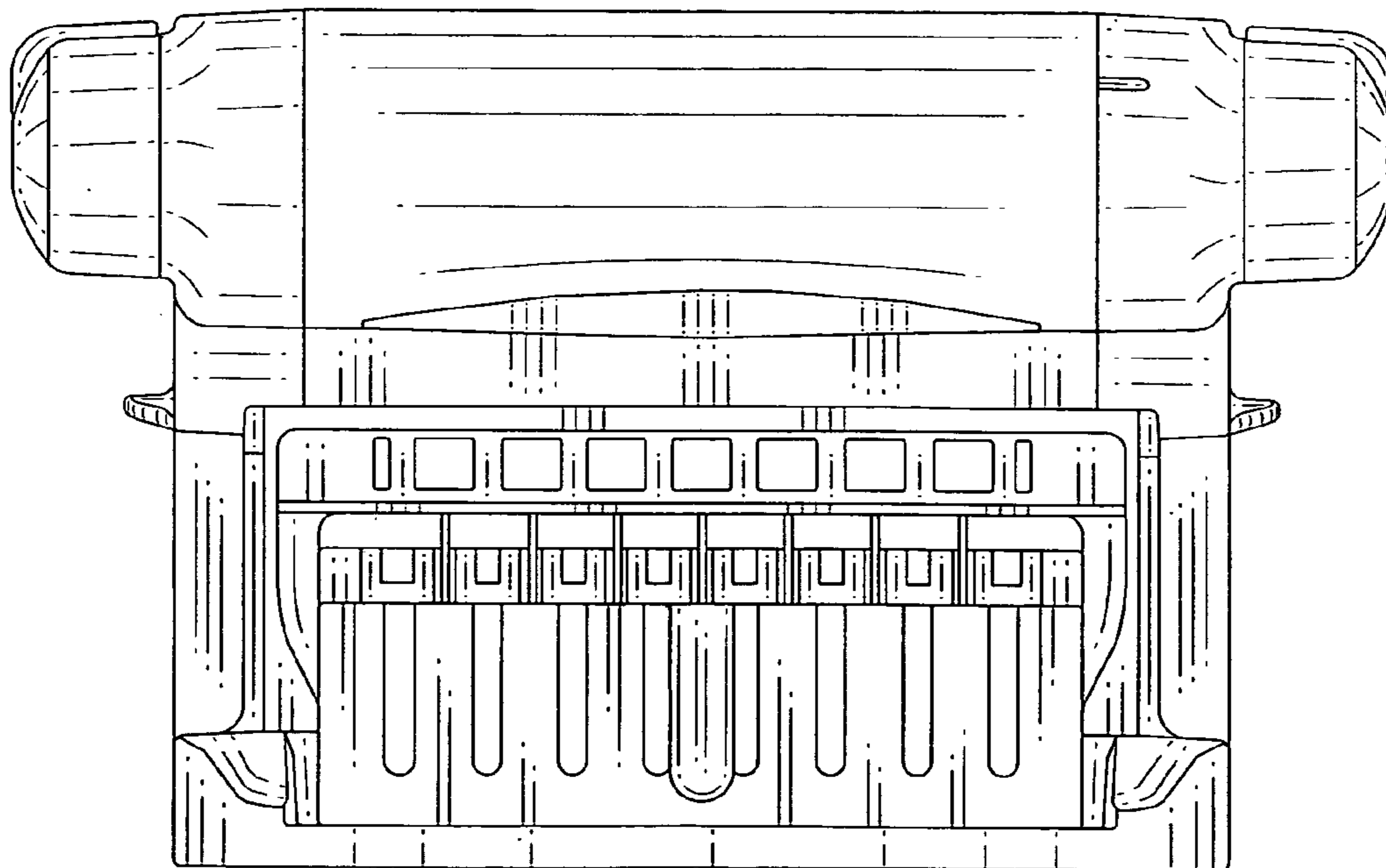


FIG.3

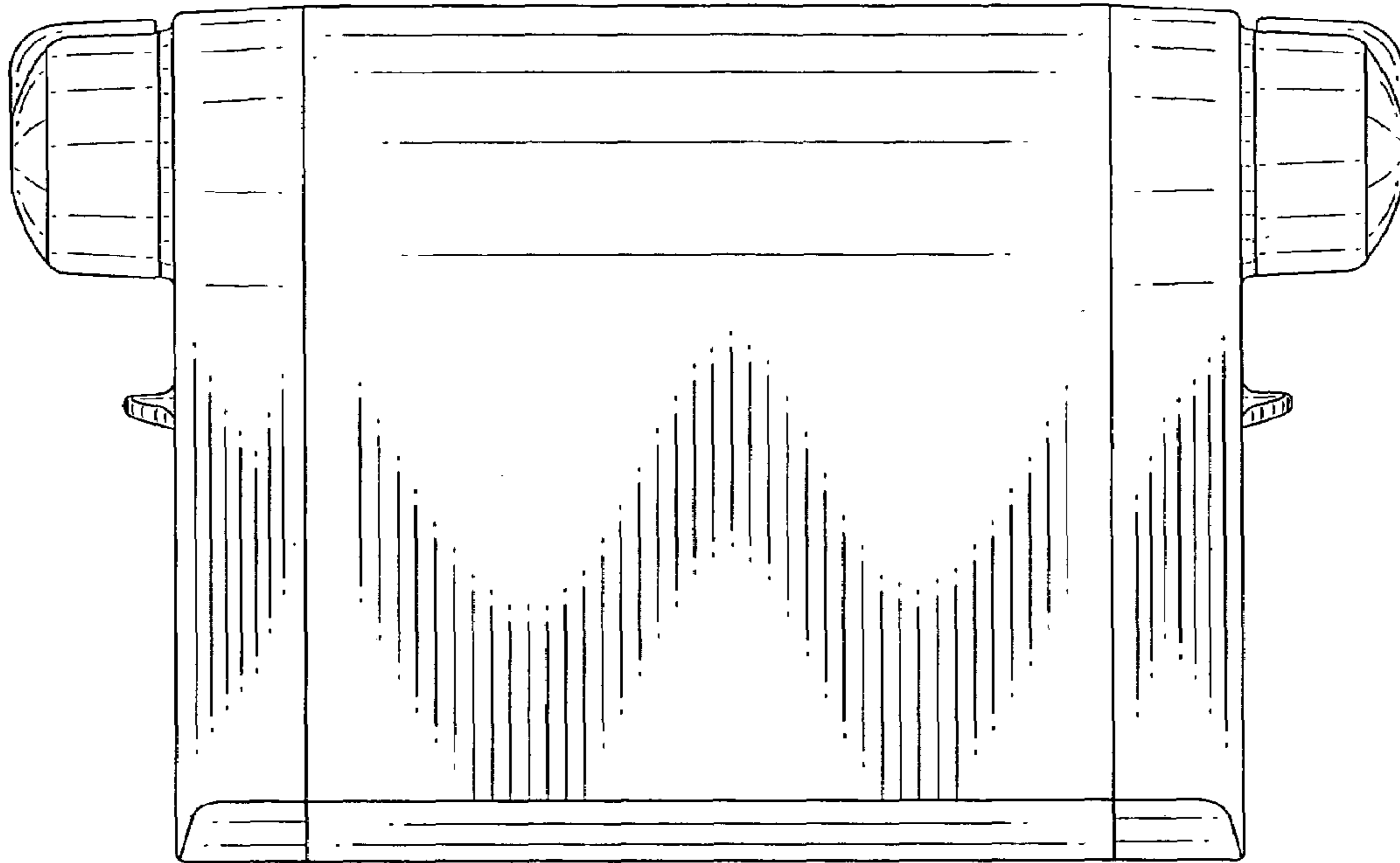


FIG.4

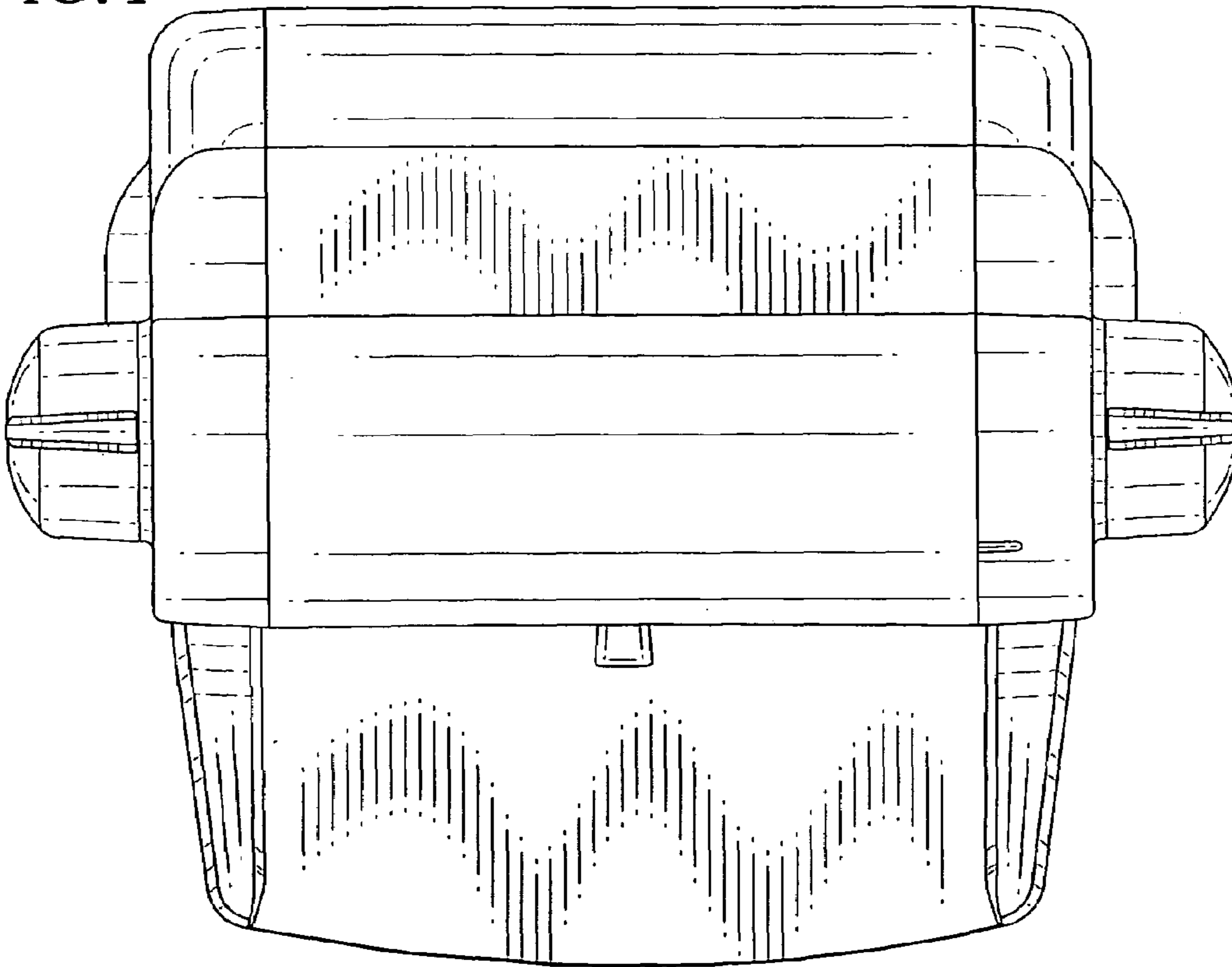


FIG.5

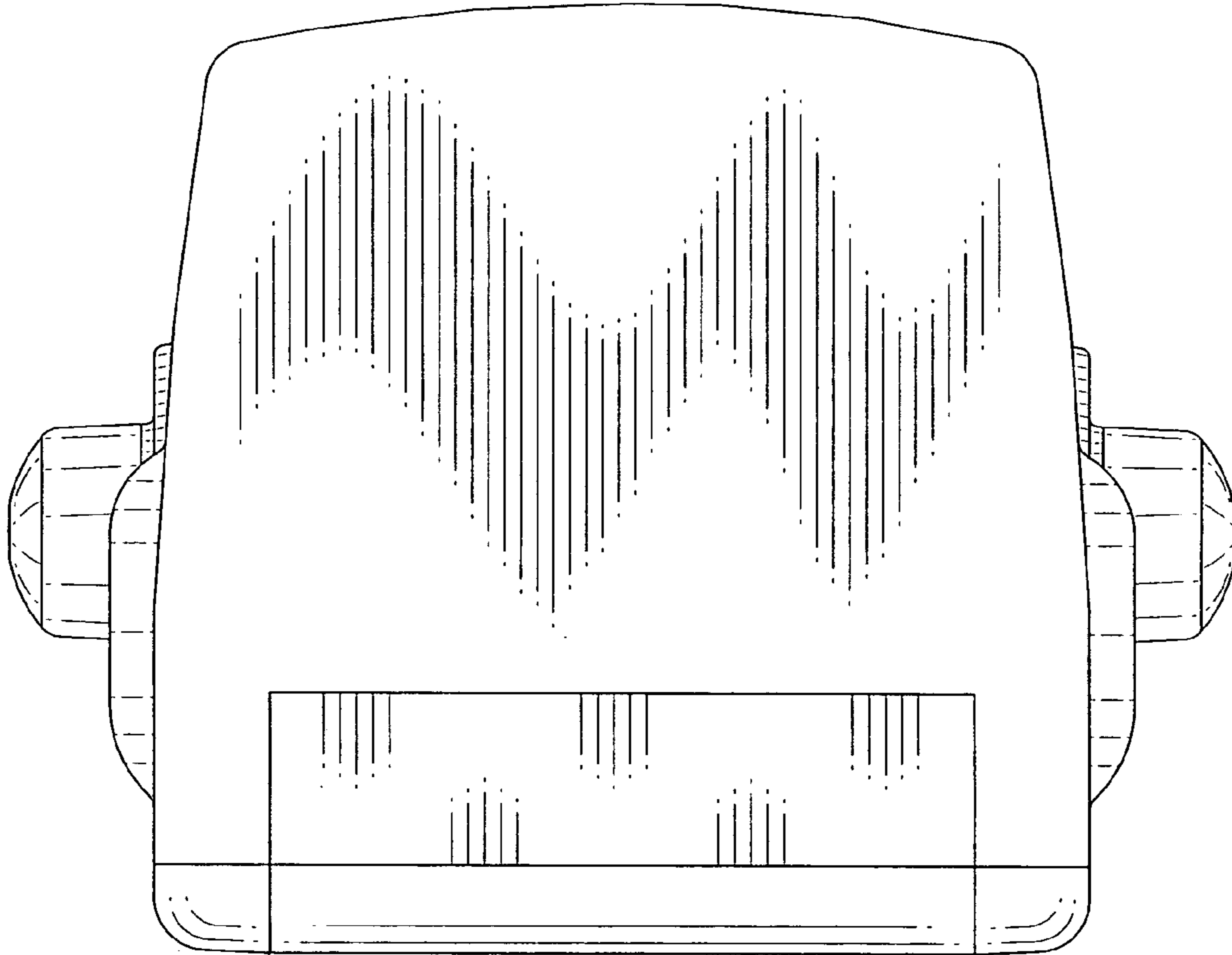


FIG.6

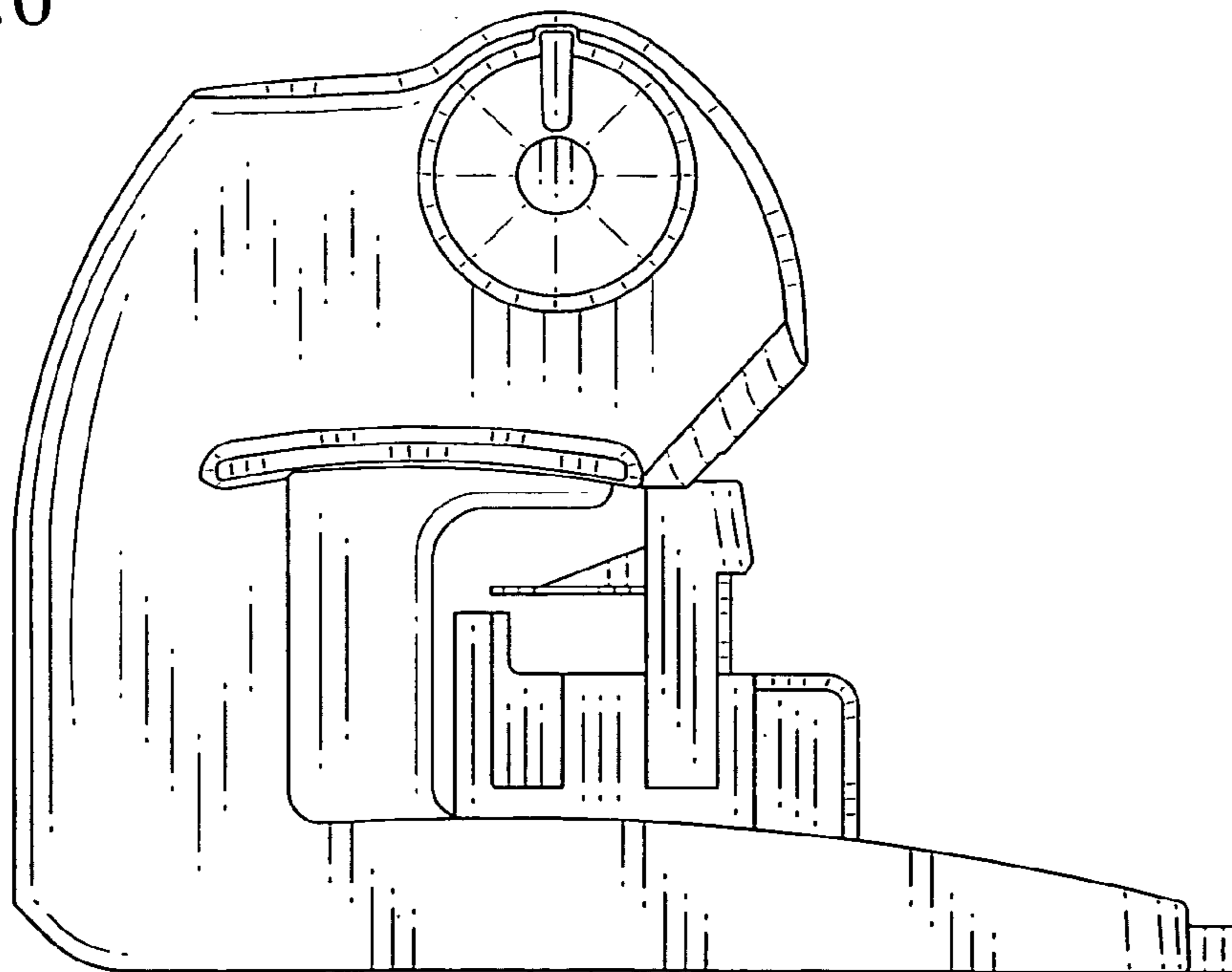


FIG. 7

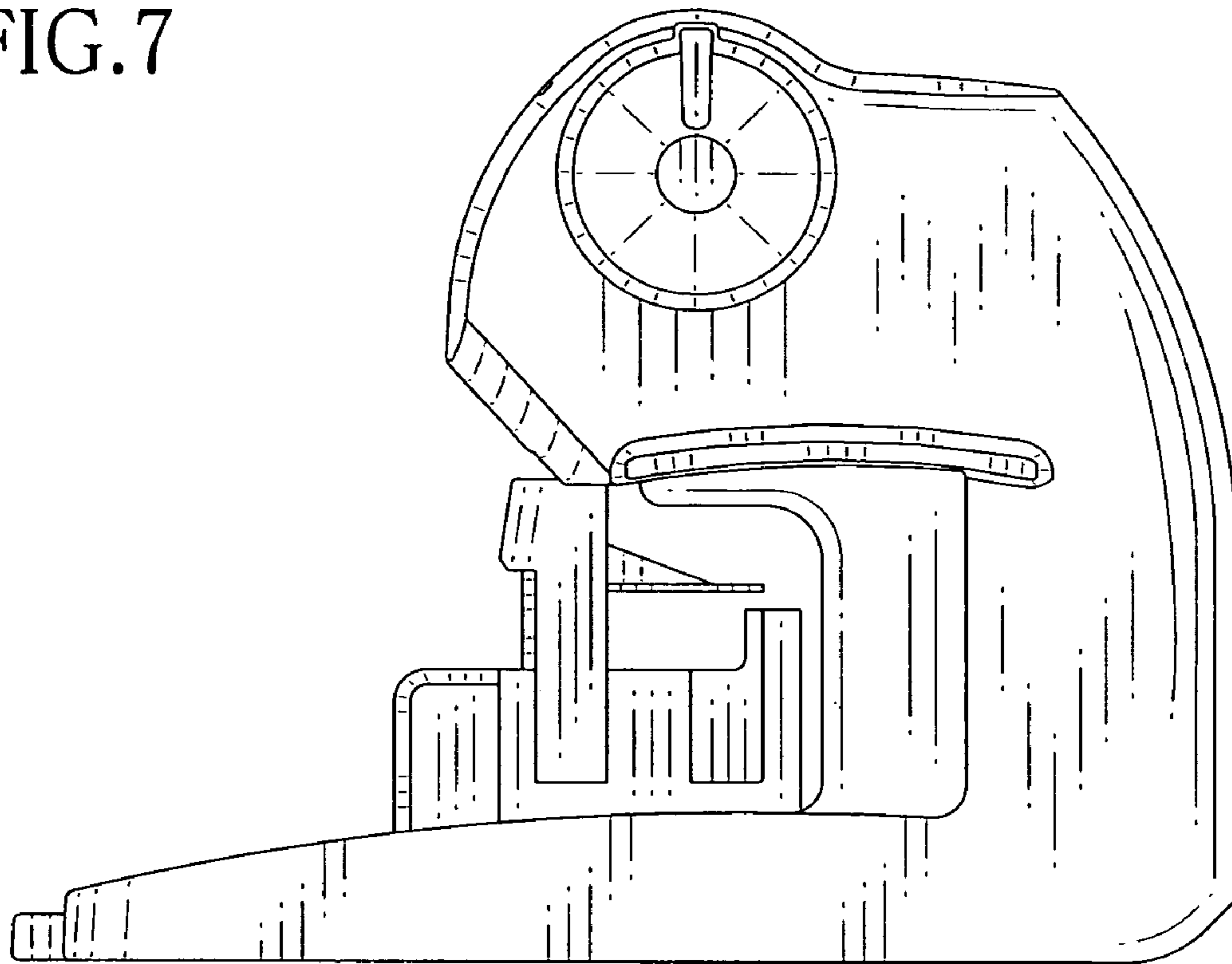


FIG.8

