



US00D559995S

(12) **United States Design Patent**
Handique et al.

(10) **Patent No.:** **US D559,995 S**
(45) **Date of Patent:** **** Jan. 15, 2008**

(54) **CONTROLLER CARTRIDGE FOR A
DIAGNOSTIC INSTRUMENT**

(75) Inventors: **Kalyan Handique**, Ann Arbor, MI
(US); **Daniel M. Drummond**, Livonia,
MI (US); **Gene Parunak**, Saline, MI
(US); **Jeff Williams**, Chelsea, MI (US)

(73) Assignee: **HandyLab, Inc.**, Ann Arbor, MI (US)

(**) Term: **14 Years**

(21) Appl. No.: **29/257,029**

(22) Filed: **Mar. 27, 2006**

(51) **LOC (8) Cl.** **24-01**

(52) **U.S. Cl.** **D24/232**

(58) **Field of Classification Search** D24/216,
D24/224-232; 422/100-101, 57-58; 436/518;
435/7.92; 204/403.01, 403.02, 403.03; 600/583;
60/187; 701/33

See application file for complete search history.

(56) **References Cited**

U.S. PATENT DOCUMENTS

D438,311 S *	2/2001	Yamanishi et al.	D24/216
D461,906 S *	8/2002	Pham	D24/225
D467,348 S *	12/2002	McMichael et al.	D24/223
D468,437 S *	1/2003	McMenamy et al.	D24/216
D480,814 S *	10/2003	Lafferty et al.	D24/224
D495,805 S *	9/2004	Lea et al.	D24/223
D500,142 S *	12/2004	Crisanti et al.	D24/224
6,859,698 B2 *	2/2005	Schmeisser	701/33
D528,215 S *	9/2006	Malmsater	D24/232
D531,321 S *	10/2006	Godfrey et al.	D24/225
2002/0143297 A1 *	10/2002	Francavilla et al.	604/187
2006/0165558 A1 *	7/2006	Witty et al.	422/58
2007/0009386 A1 *	1/2007	Padmanabhan et al.	422/57

* cited by examiner

Primary Examiner—Robert A. Delehanty

Assistant Examiner—Mark Cavanna

(74) *Attorney, Agent, or Firm*—Fish & Richardson, P.C.

(57) **CLAIM**

The ornamental design for a controller cartridge for a diagnostic instrument, as shown and described.

DESCRIPTION

FIG. 1 is a front perspective view of a controller cartridge for a diagnostic instrument showing a first embodiment of the new design;

FIG. 2 is a top plan view of the first embodiment of the cartridge shown in FIG. 1;

FIG. 3 is a rear elevation view of the first embodiment of the cartridge shown in FIG. 1;

FIG. 4 is a front elevation view of the first embodiment of the cartridge shown in FIG. 1;

FIG. 5 is a bottom plan view of the first embodiment of the cartridge shown in FIG. 1;

FIG. 6 is a first side elevation view of the first embodiment of the cartridge shown in FIG. 1;

FIG. 7 is a second side elevation view of the first embodiment of the cartridge shown in FIG. 1, the second side being a mirror image of the first side shown in FIG. 6;

FIG. 8 is a front perspective view of a controller cartridge showing a second embodiment of the new design;

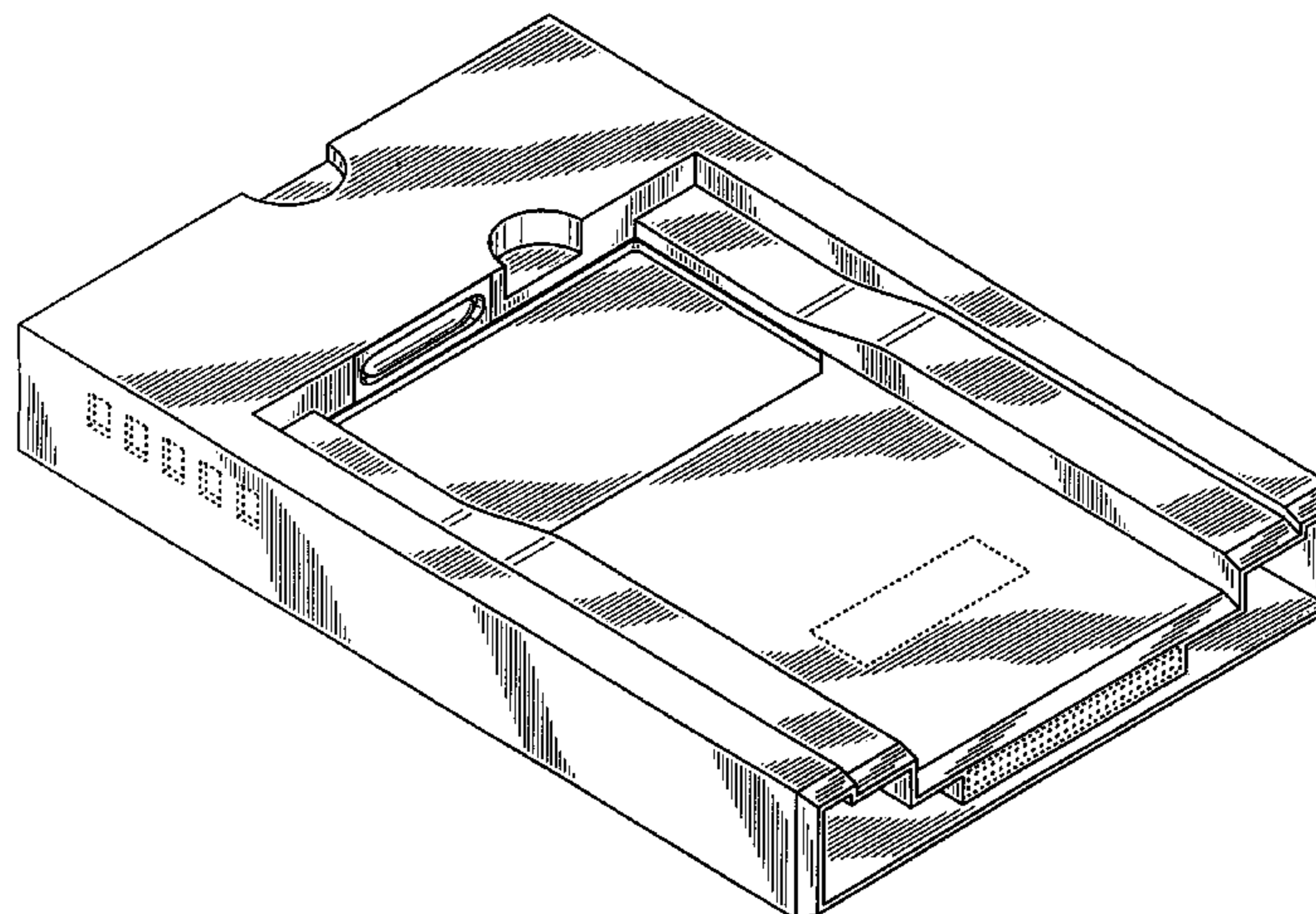
FIG. 9 is a top plan view of the second embodiment of the cartridge shown in FIG. 8;

FIG. 10 is a rear elevation view of the second embodiment of the cartridge shown in FIG. 8; and,

FIG. 11 is a front elevation view of the second embodiment of the cartridge shown in FIG. 8, the bottom plan, first and second side elevation views of the second embodiment being identical to the respective views of the first embodiment, as shown respectively in FIGS. 5, 6, and 7 herein.

The broken lines shown in FIGS. 1 through 11 are for illustrative purposes only and form no part of the claimed design.

1 Claim, 7 Drawing Sheets



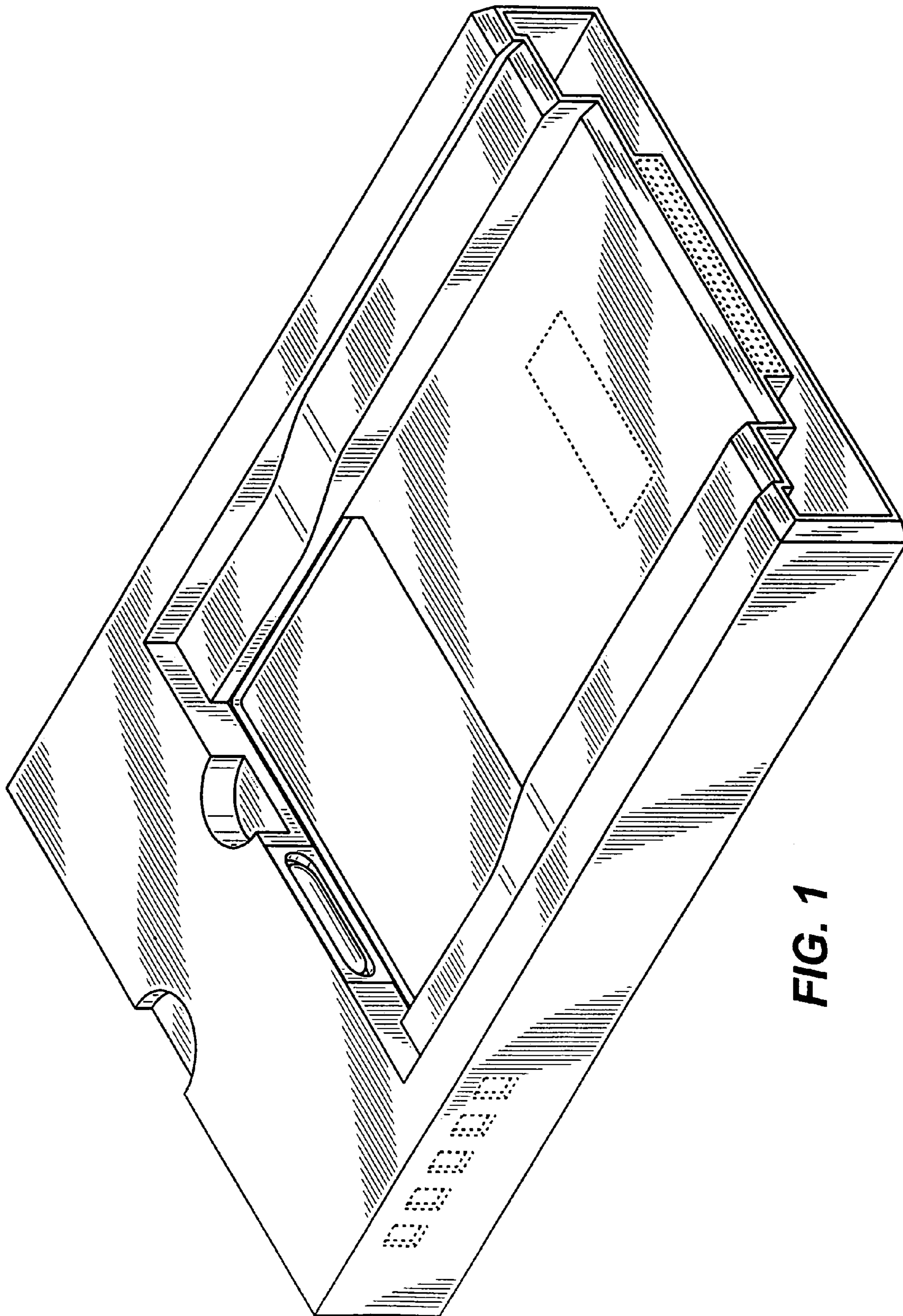


FIG. 1

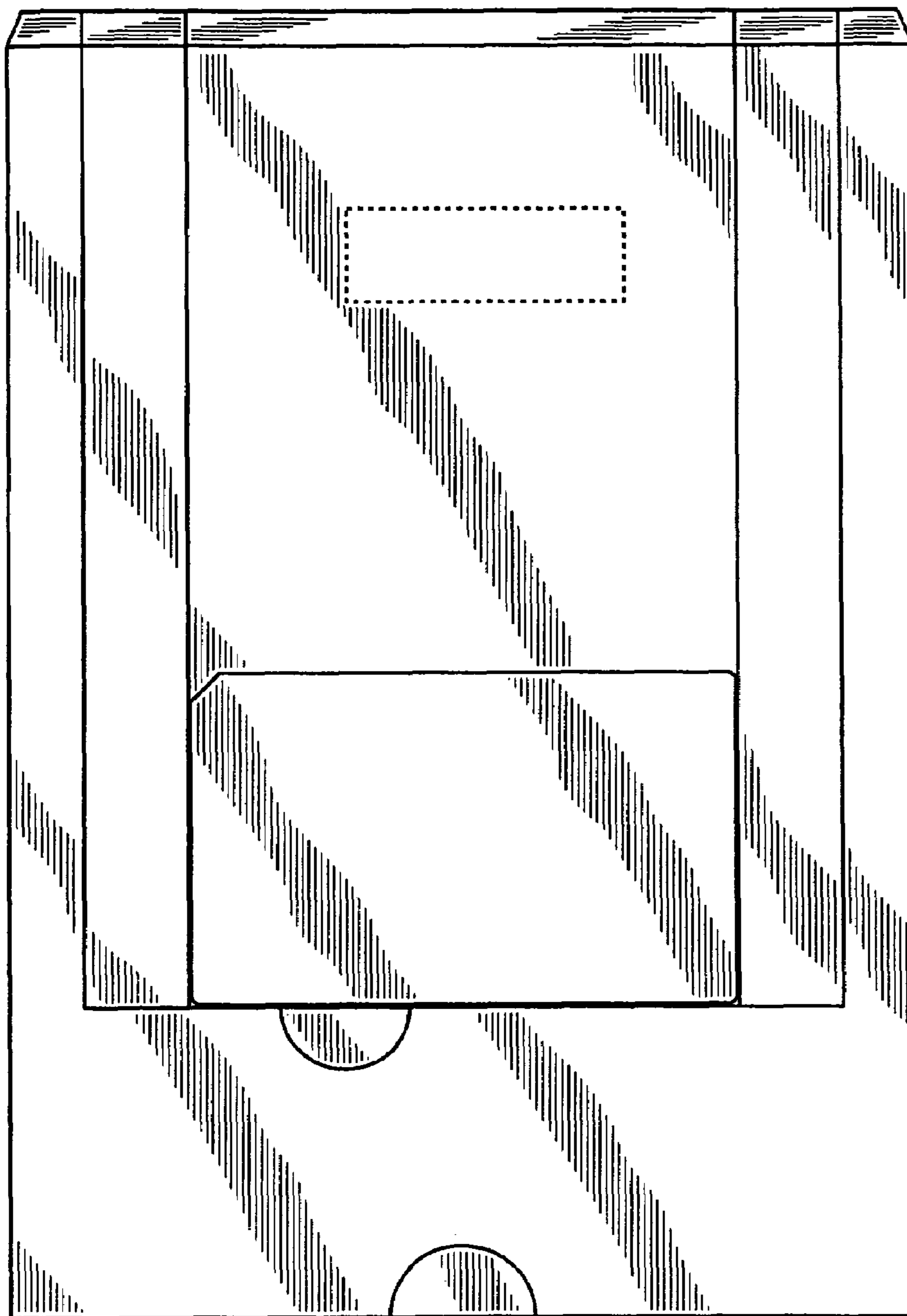


FIG. 2

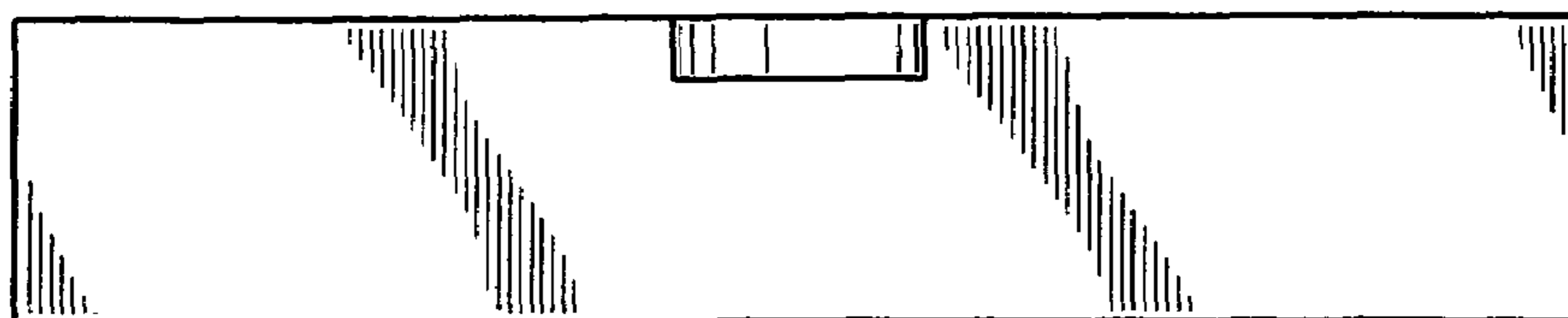


FIG. 3

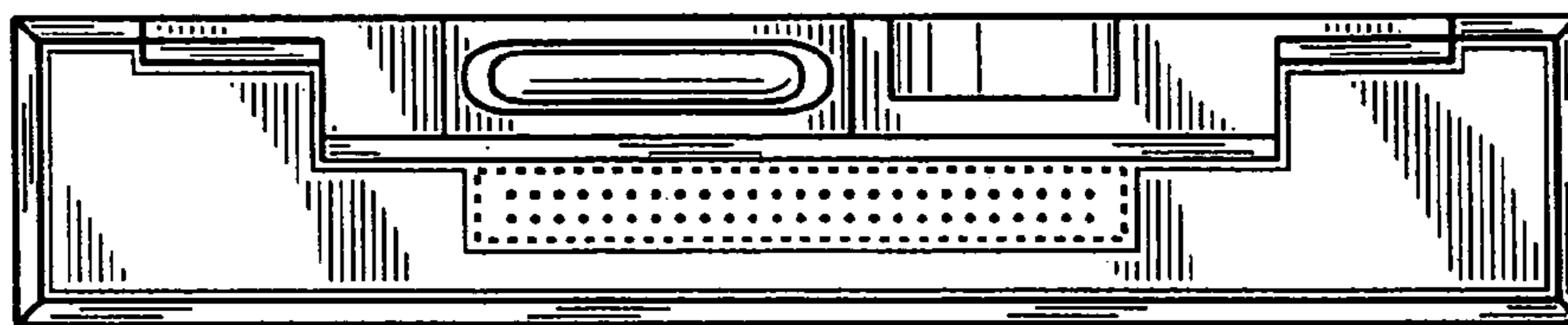


FIG. 4

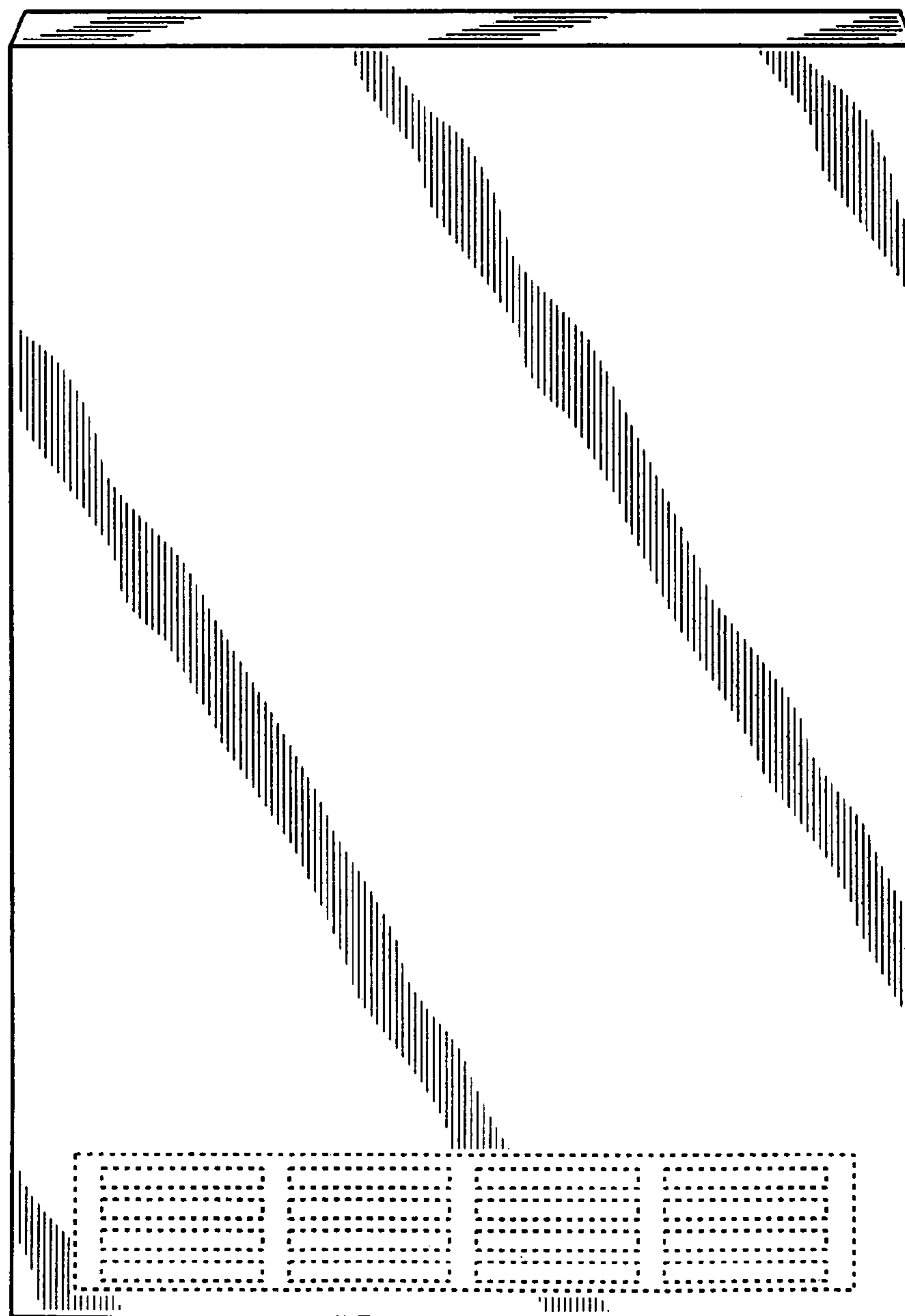


FIG. 5

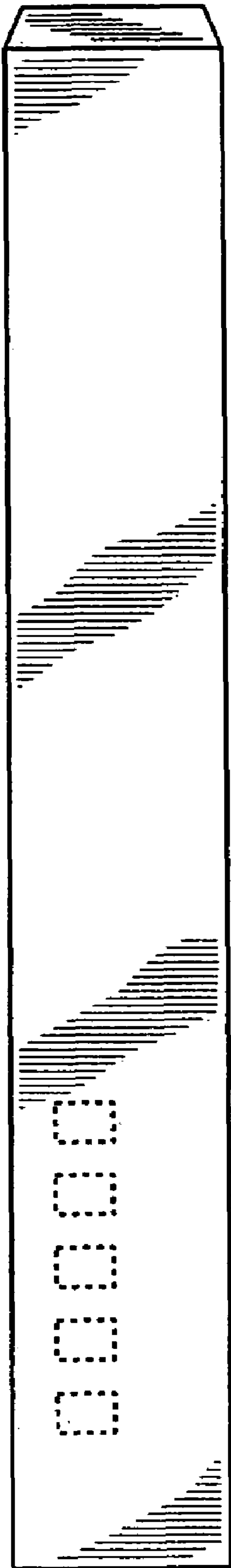


FIG. 6

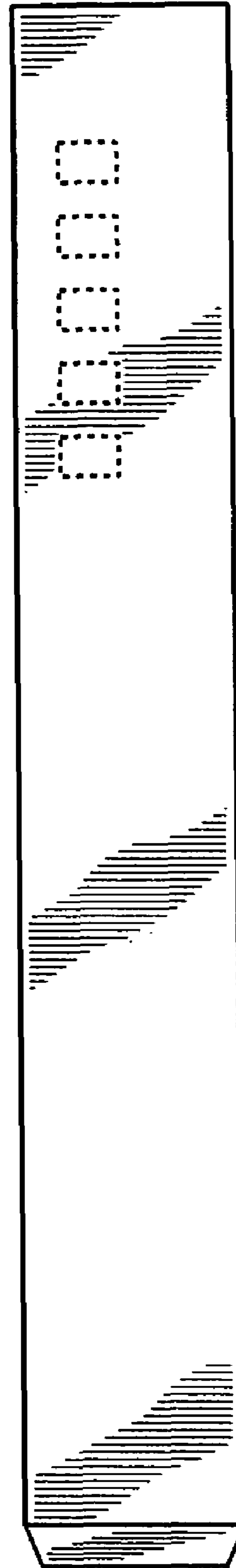


FIG. 7

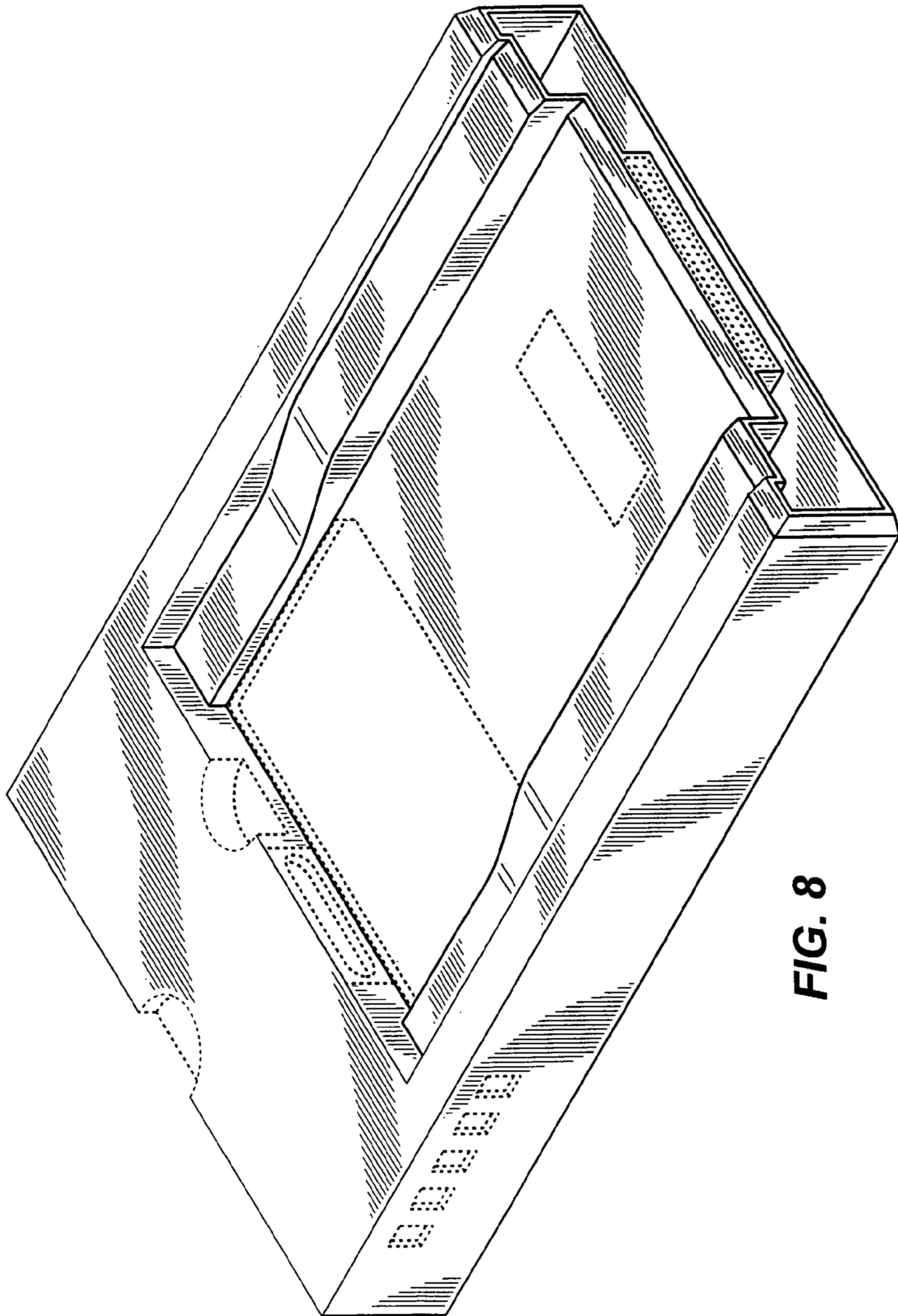


FIG. 8

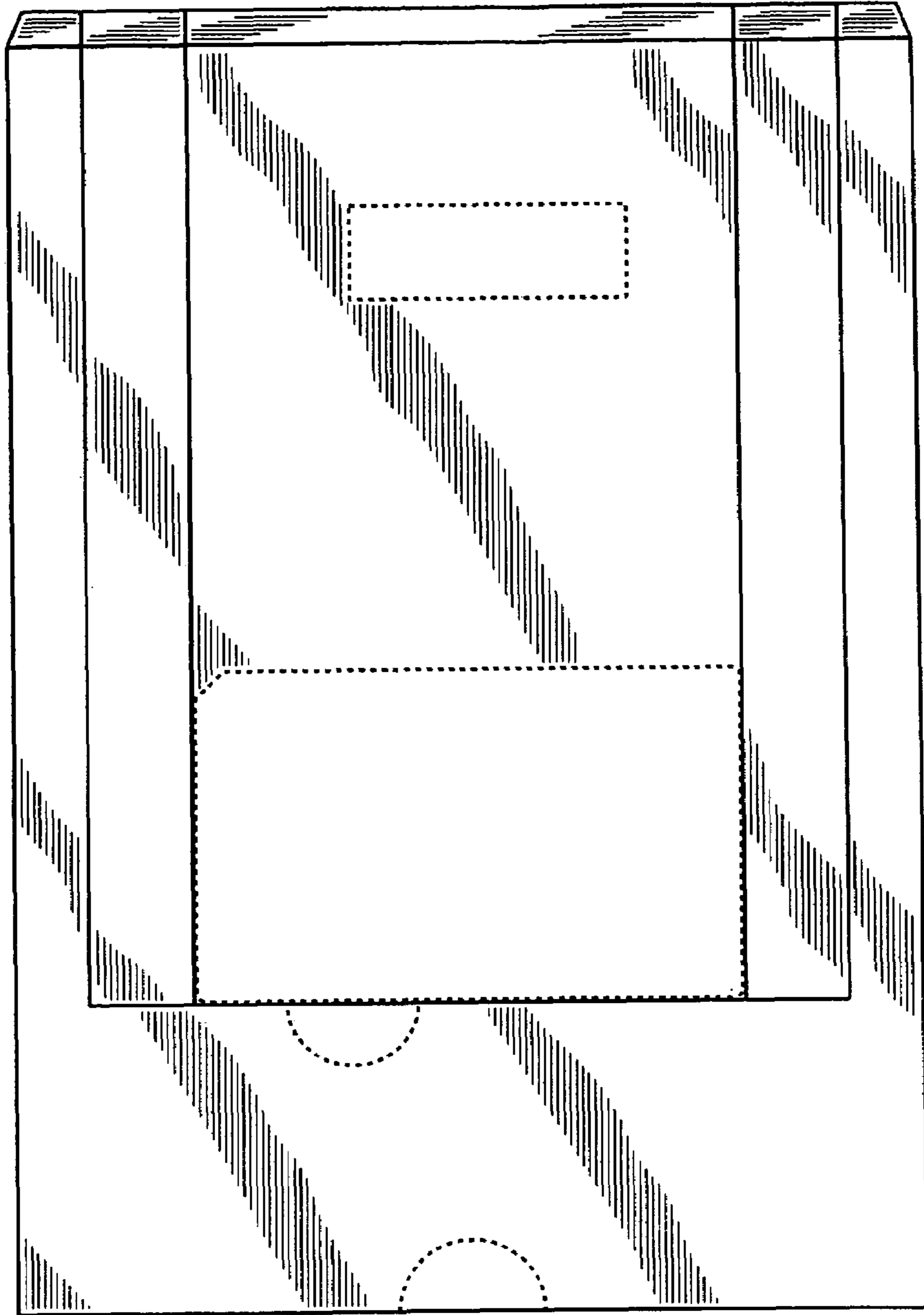


FIG. 9

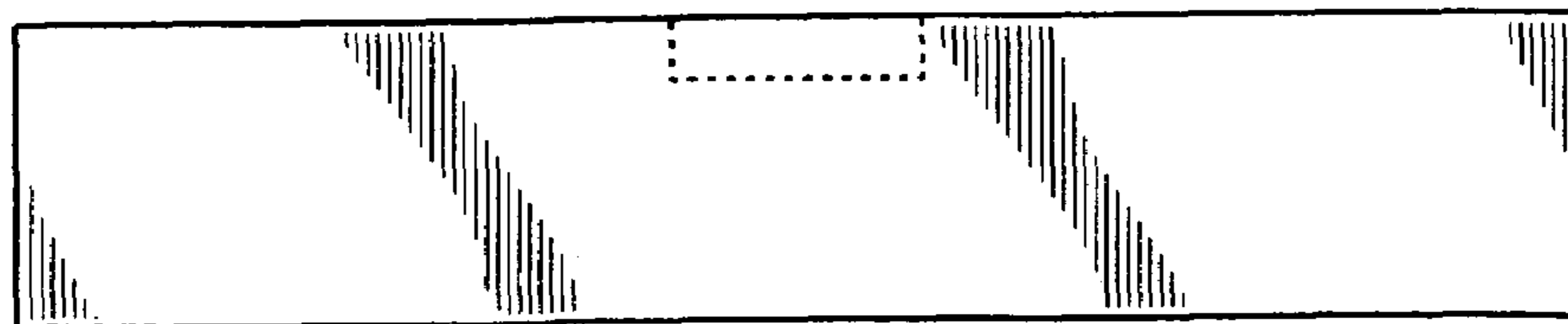


FIG. 10

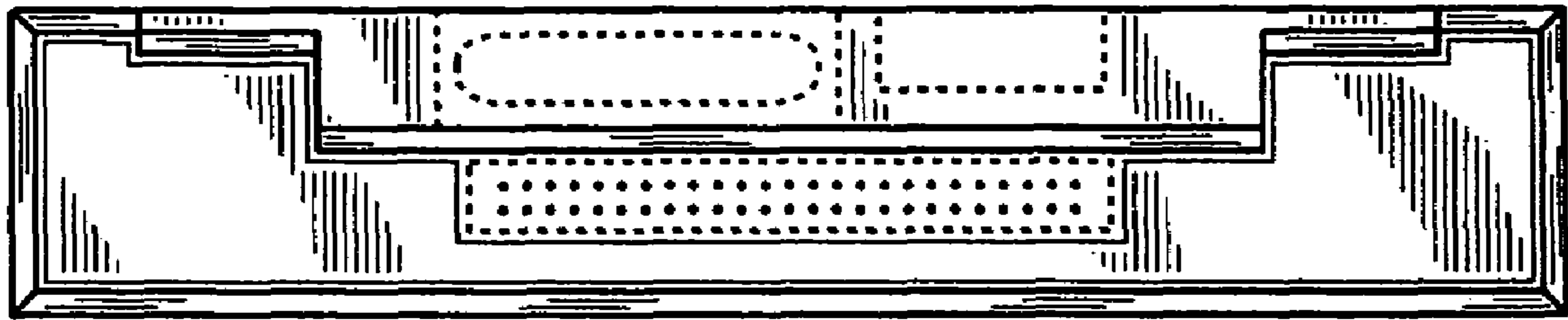


FIG. 11