



US00D559986S

(12) **United States Design Patent**  
**Huffman**

(10) **Patent No.:** **US D559,986 S**  
(45) **Date of Patent:** **\*\* \*Jan. 15, 2008**

(54) **DENTAL MODEL BASE QUADRANT WITH A PLURALITY OF INDEXING PINS**

FOREIGN PATENT DOCUMENTS

DE 3 436 094 A1 3/1985

(76) Inventor: **Ronald E. Huffman**, P.O. Box 68440,  
Oro Valley, AZ (US) 85737

(Continued)

(\*\*) Term: **14 Years**

*Primary Examiner*—Charles A. Rademaker  
(74) *Attorney, Agent, or Firm*—Merchant & Gould P.C.

(21) Appl. No.: **29/267,290**

(57) **CLAIM**

(22) Filed: **Oct. 10, 2006**

The ornamental design for dental model base quadrant with a plurality of indexing pins, as shown and described.

**Related U.S. Application Data**

**DESCRIPTION**

(63) Continuation of application No. 29/216,696, filed on Nov. 5, 2004, now Pat. No. Des. 530,014.

(51) **LOC (8) Cl.** ..... **24-03**

(52) **U.S. Cl.** ..... **D24/176**

(58) **Field of Classification Search** ..... D24/156,  
D24/152, 155, 176, 180, 181, 197; 249/124;  
433/34, 54, 60, 61, 64, 74, 213

See application file for complete search history.

FIG. 1 is a front perspective view of a dental model base quadrant with a plurality of indexing pins showing my new design;

FIG. 2 is a rear perspective view thereof;

FIG. 3 is a top plan view thereof;

FIG. 4 is a left side elevation thereof;

FIG. 5 is a right side elevation thereof;

FIG. 6 is a rear elevation thereof;

FIG. 7 is a front elevation thereof;

FIG. 8 is a rear perspective view thereof;

FIG. 9 is a front perspective view of a modified embodiment of the design shown in FIGS. 1 through 8;

FIG. 10 is a rear perspective view thereof;

FIG. 11 is a top plan view thereof;

FIG. 12 is a left side elevation thereof;

FIG. 13 is a right side elevation thereof;

FIG. 14 is a front elevation thereof;

FIG. 15 is a rear elevation thereof; and,

FIG. 16 is a rear perspective view thereof.

The broken line showing of environment in the figure drawings is for illustrative purposes only and forms no part of the claimed design.

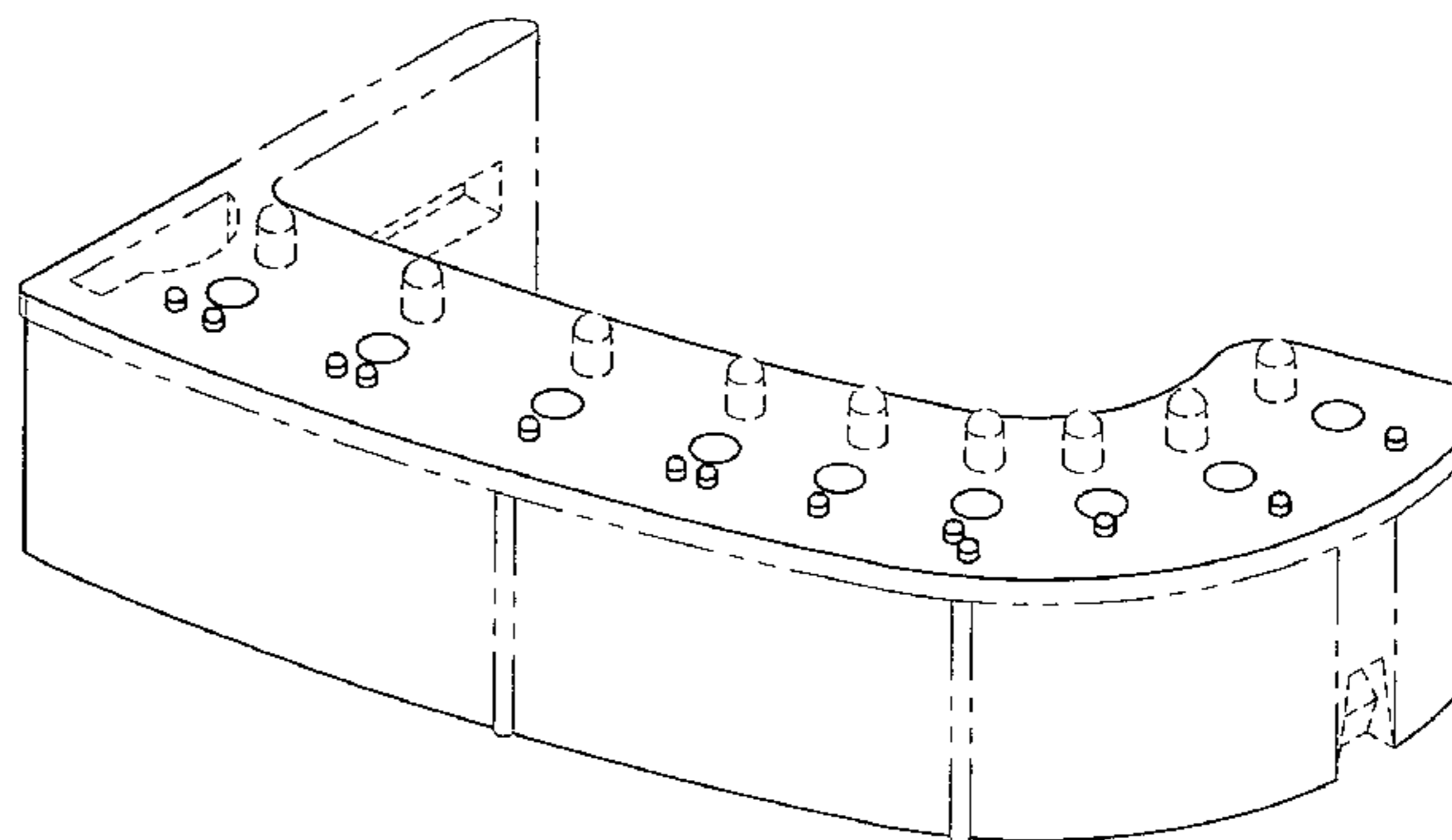
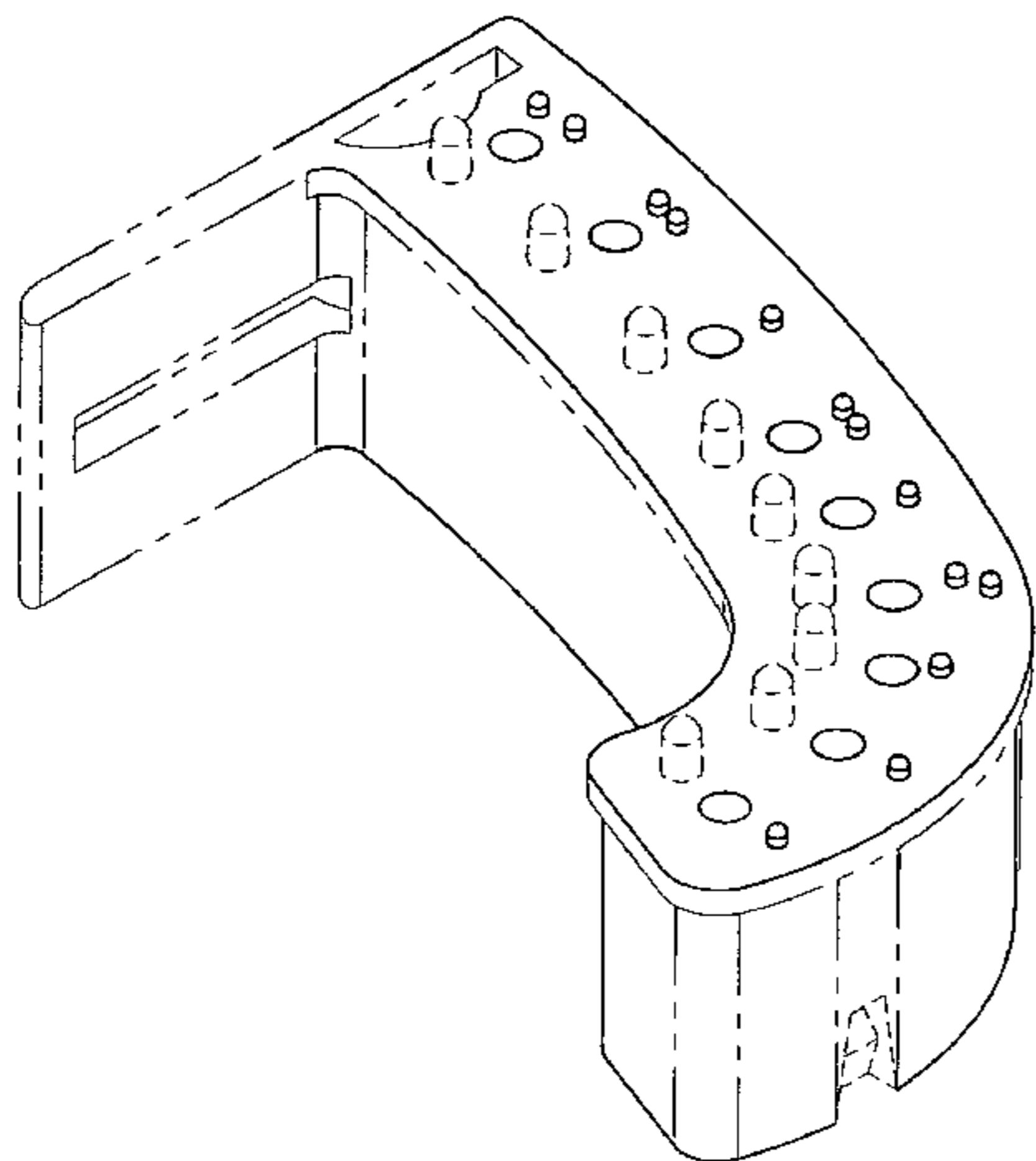
(56) **References Cited**

U.S. PATENT DOCUMENTS

921,791 A	5/1909	Benson
967,086 A	8/1910	Tuttle
1,013,028 A	12/1911	Lee
1,745,570 A	2/1930	Dimelow
1,772,027 A	8/1930	Baumgarten
1,780,117 A	10/1930	Craigo
2,031,996 A	2/1936	Zelesnick
2,037,344 A	4/1936	Schwartz
2,234,411 A	3/1941	McDonald
2,376,384 A	12/1942	Ringle et al.
2,398,671 A	4/1946	Saffir
2,577,420 A	12/1951	Jablonski et al.
2,585,857 A	2/1952	Schwartz
2,613,440 A	10/1952	Murray et al.
2,621,407 A	12/1952	Huffman
2,669,780 A	2/1954	Mann

(Continued)

**1 Claim, 10 Drawing Sheets**



# US D559,986 S

U.S. PATENT DOCUMENTS						
			4,767,331 A	8/1988	Hoe	
			4,786,253 A	11/1988	Morais	
2,827,899 A *	3/1958	Altieri ..... D24/176	4,834,651 A	5/1989	Fenick	
2,842,845 A	7/1958	Carlson	4,842,242 A	6/1989	Huffman	
3,150,448 A	9/1964	Wozar	D302,456 S	7/1989	Huffman	
3,236,235 A	2/1966	Jacobs	D302,587 S	8/1989	Huffman	
3,247,844 A	4/1966	Berghash	D302,724 S	8/1989	Huffman	
D210,278 S *	2/1968	White ..... D24/181	D302,725 S	8/1989	Huffman	
3,416,527 A *	12/1968	Hoef ..... D24/176	4,865,546 A	9/1989	Naylor	
3,453,736 A	7/1969	Waltke	RE33,099 E	10/1989	Shoher et al.	
3,461,562 A	8/1969	Cooper	4,886,453 A	12/1989	Ludwigs	
3,478,428 A	11/1969	Stengel	D305,361 S	1/1990	Huffman	
3,510,947 A	5/1970	Tuccillo	D305,362 S	1/1990	Huffman	
3,518,761 A	7/1970	Susman et al.	D306,206 S	2/1990	Huffman	
3,581,398 A	6/1971	Thomas	4,898,359 A	2/1990	Gopon	
3,650,032 A	3/1972	Kestler	4,917,347 A	4/1990	Fenick	
3,753,291 A	8/1973	Bocian et al.	RE33,271 E	7/1990	Shoher et al.	
3,832,777 A	9/1974	Tinder	4,940,409 A	7/1990	Nordin	
3,913,230 A	10/1975	Weiss	4,980,124 A	12/1990	Dimmer	
3,934,348 A	1/1976	Janjic	5,015,182 A	5/1991	Newberry	
3,937,773 A	2/1976	Huffman	5,028,235 A	7/1991	Smith	
3,969,820 A	7/1976	Kulig et al.	5,044,949 A	9/1991	Xanthopoulos	
4,021,916 A	5/1977	Spalten	5,049,075 A	9/1991	Barrut	
4,022,419 A	5/1977	Haker	5,076,789 A	12/1991	Tanaka	
4,116,416 A	9/1978	Segura	5,098,290 A	3/1992	Honstein et al.	
4,122,606 A	10/1978	Roman	5,100,317 A	3/1992	Darnand	
4,127,939 A	12/1978	Samuel et al.	5,197,874 A	3/1993	Silva et al.	
4,174,570 A	11/1979	Schwartz	5,207,574 A	5/1993	Garland	
4,203,219 A	5/1980	Wiener	5,352,117 A	10/1994	Silva	
D257,387 S *	10/1980	Skarky ..... D24/181	5,393,227 A	2/1995	Nooning	
4,229,167 A	10/1980	Kikuchi et al.	5,403,185 A	4/1995	Presswood	
4,240,605 A	12/1980	Waltke	5,466,152 A	11/1995	Walter	
4,242,812 A	1/1981	Randoll et al.	5,470,231 A	11/1995	Stern	
4,265,619 A	5/1981	Lucki et al.	5,501,600 A	3/1996	Johnson	
4,283,173 A	8/1981	Browne et al.	5,586,884 A	12/1996	Kraus	
4,301,357 A	11/1981	Huffman	5,622,497 A	4/1997	Cho	
4,319,875 A	3/1982	Beckwith	5,766,007 A	6/1998	Huffman	
4,359,464 A	11/1982	Weinstock	5,769,634 A	6/1998	Choi	
4,371,339 A	2/1983	Zeiser	5,775,899 A	7/1998	Huffman	
4,378,929 A	4/1983	Huffman	5,788,489 A	8/1998	Huffman	
4,382,787 A	5/1983	Huffman	5,788,490 A	8/1998	Huffman	
4,398,884 A	8/1983	Huffman	5,800,166 A	9/1998	Huffman	
4,403,961 A	9/1983	Gurney	5,807,099 A	9/1998	Johnson	
4,436,511 A	3/1984	Mitchell, Sr.	5,868,569 A	2/1999	Huffman	
4,439,151 A	3/1984	Whelan	5,934,901 A	8/1999	Huffman	
4,443,192 A	4/1984	Blitz	5,996,963 A	12/1999	Michael	
4,449,930 A	5/1984	Huffman	6,033,221 A	3/2000	Tsubota et al.	
4,449,931 A	5/1984	Saito	D429,815 S	8/2000	Huffman	
4,459,110 A	7/1984	Jackson	D430,672 S	9/2000	Huffman	
4,473,353 A	9/1984	Greggs	D433,136 S	10/2000	Huffman	
4,481,162 A	11/1984	Huffman	D433,754 S	11/2000	Huffman	
4,494,934 A	1/1985	Huffman	6,149,428 A *	11/2000	Mogensen ..... 433/74	
4,504,226 A	3/1985	Gordon	6,186,781 B1	2/2001	Iba	
D278,274 S *	4/1985	Levine ..... D24/181	6,193,511 B1 *	2/2001	Hudson ..... 433/54	
4,521,188 A	6/1985	Metzler	6,234,794 B1	5/2001	Ozaki	
4,533,323 A	8/1985	Huffman	D443,363 S	6/2001	Huffman	
4,538,987 A	9/1985	Weissman	D444,559 S	7/2001	Huffman	
4,548,581 A	10/1985	Huffman	D452,009 S	12/2001	Huffman	
D283,541 S	4/1986	Huffman	D452,010 S	12/2001	Huffman	
D283,542 S	4/1986	Huffman	D452,319 S	12/2001	Huffman	
D283,639 S	4/1986	Huffman	D452,320 S	12/2001	Huffman	
D283,730 S	5/1986	Huffman	D452,321 S	12/2001	Huffman	
4,608,016 A	8/1986	Zeiser	D452,322 S	12/2001	Huffman	
D286,179 S	10/1986	Huffman	D452,566 S	12/2001	Huffman	
D286,436 S	10/1986	Huffman	D452,567 S	12/2001	Huffman	
4,645,454 A	2/1987	Amdur et al.	D452,568 S	12/2001	Huffman	
D289,924 S	5/1987	Huffman	D456,902 S	5/2002	Huffman	
4,671,770 A	6/1987	Bell et al.	D456,903 S	5/2002	Huffman	
4,708,648 A	11/1987	Weissman	D456,904 S	5/2002	Huffman	
4,708,835 A	11/1987	Kiefer	D457,243 S	5/2002	Huffman	
4,721,464 A	1/1988	Roden et al.	D457,636 S	5/2002	Huffman	
4,734,033 A	3/1988	Huffman	D457,637 S	5/2002	Huffman	
4,767,330 A	8/1988	Burger	D457,963 S	5/2002	Huffman	

# US D559,986 S

D457,964 S	5/2002	Huffman	
6,425,759 B1 *	7/2002	Cronin .....	433/34
D464,431 S	10/2002	Huffman	
D464,432 S	10/2002	Huffman	
D464,732 S	10/2002	Huffman	
D464,733 S	10/2002	Huffman	
D465,027 S	10/2002	Huffman	
6,471,513 B1	10/2002	Huffman	
D468,018 S	12/2002	Huffman	
D468,431 S	1/2003	Huffman	
D468,432 S	1/2003	Huffman	
D469,537 S	1/2003	Huffman	
6,511,318 B2 *	1/2003	Kim .....	433/74
D481,797 S	11/2003	Huffman	
6,726,477 B2 *	4/2004	Gittleman .....	433/34
6,884,068 B2 *	4/2005	Huffman .....	433/60
6,932,608 B1 *	8/2005	Gagliano et al. ....	433/213
D512,148 S *	11/2005	Kwok .....	D24/181
7,044,734 B2	5/2006	Huffman	
D529,177 S	9/2006	Huffman	
7,108,507 B2	9/2006	Huffman	
D530,014 S	10/2006	Huffman	
7,156,660 B2	1/2007	Huffman	
2002/0102514 A1	8/2002	Huffman	
2004/0029071 A1	2/2004	Huffman	
2004/0096802 A1	5/2004	Gittleman	
2005/0064364 A1	3/2005	Huffman	
2005/0064365 A1	3/2005	Huffman	
2005/0064366 A1	3/2005	Huffman	

2005/0106530 A1 5/2005 Huffman

## FOREIGN PATENT DOCUMENTS

DE	3 505 680 A1	7/1985
DE	3 521 137 A1	12/1986
DE	3 825 014 A1	1/1990
DE	295 06 480 U1	8/1995
DE	296 13 916 U1	1/1998
DE	4 01 05 710.0	10/2001
EP	0 210 484 A2	2/1985
EP	0 151 086 A2	8/1985
EP	0 277 026 A2	8/1988
EP	0 291 821 A1	11/1988
EP	0 528 335 A1	2/1993
FR	2 750 851 A1	1/1998
FR	2 757 372 A1	6/1998
FR	2 770 994	5/1999
FR	653652TO653664	2/2002
GB	866118	4/1961
GB	886118	1/1962
GB	2105427	3/1983
JP	1175348	4/2003
JP	1178837	5/2003
WO	WO 88/10101	12/1988
WO	WO 97/16130	5/1997
WO	WO 01/01881 A2	1/2001

\* cited by examiner

FIG. 1

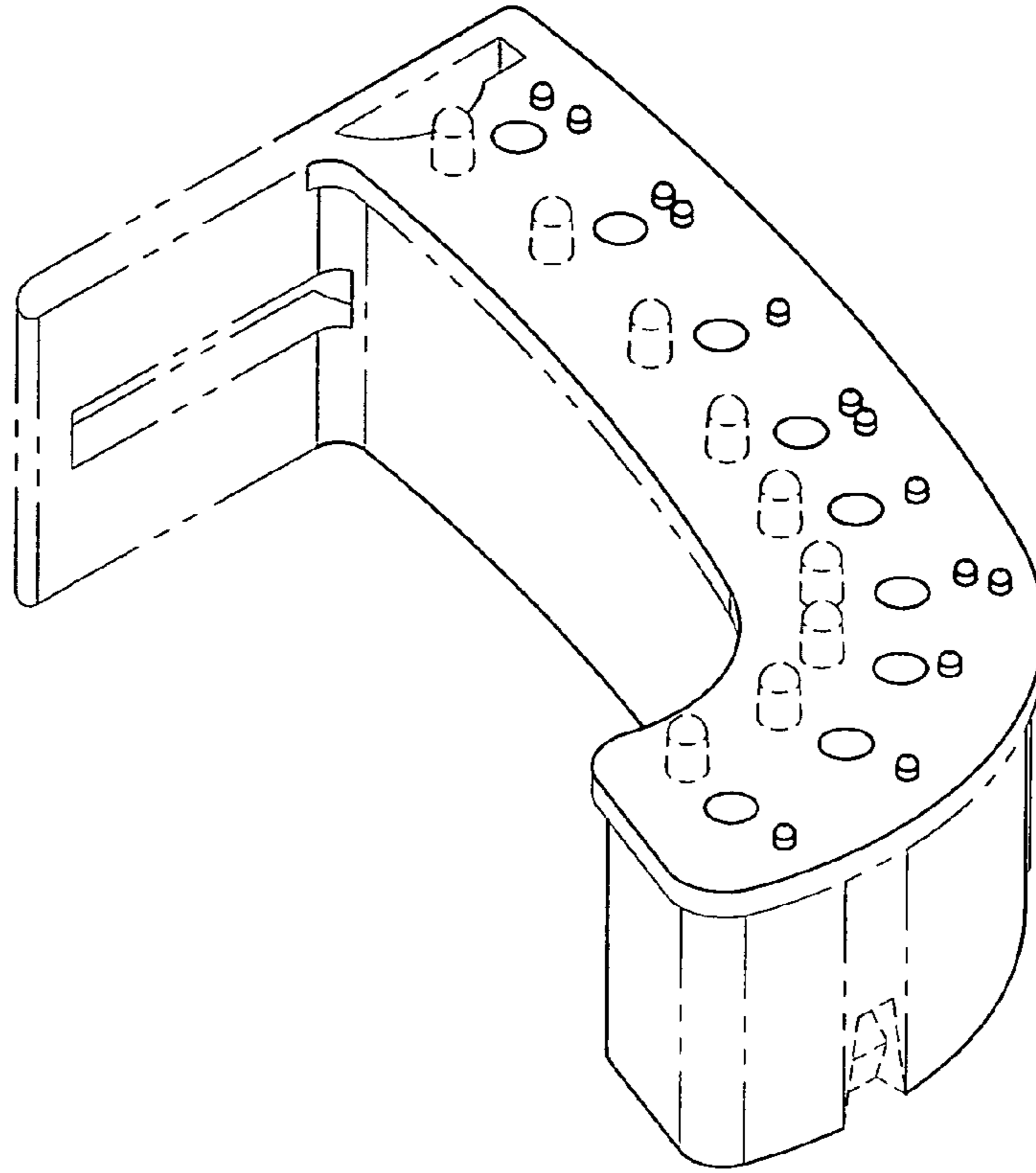


FIG. 2

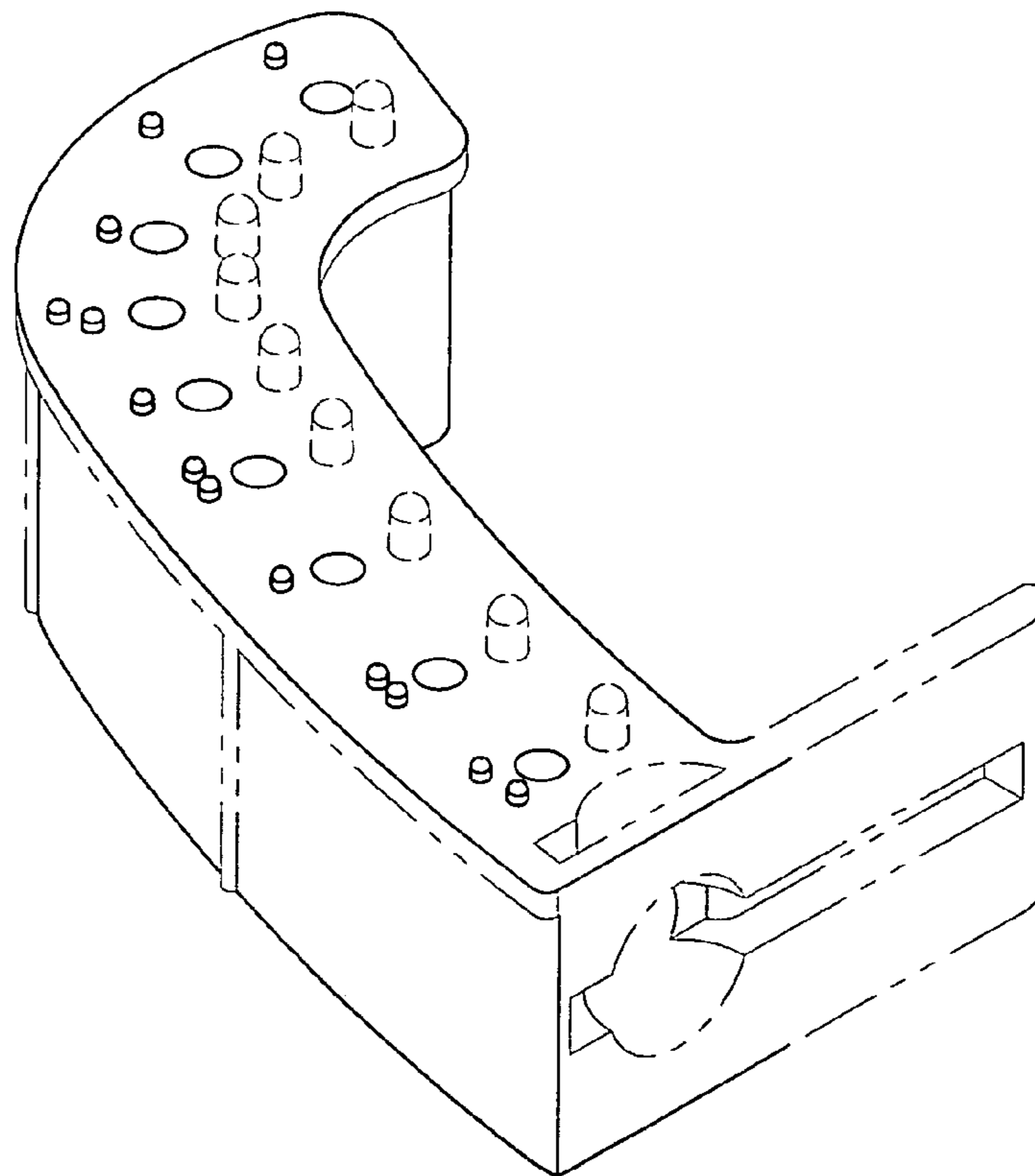


FIG.3

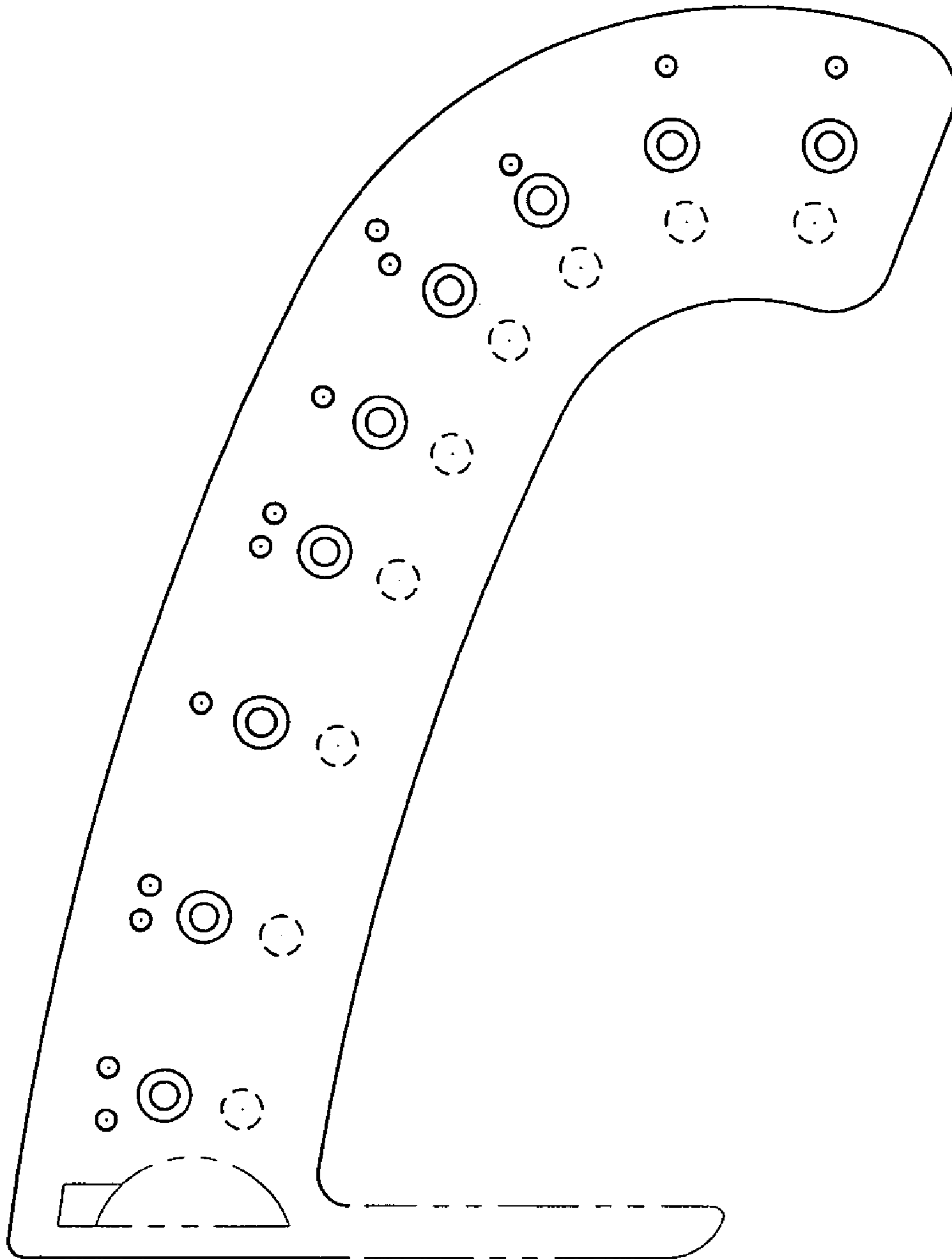


FIG.4

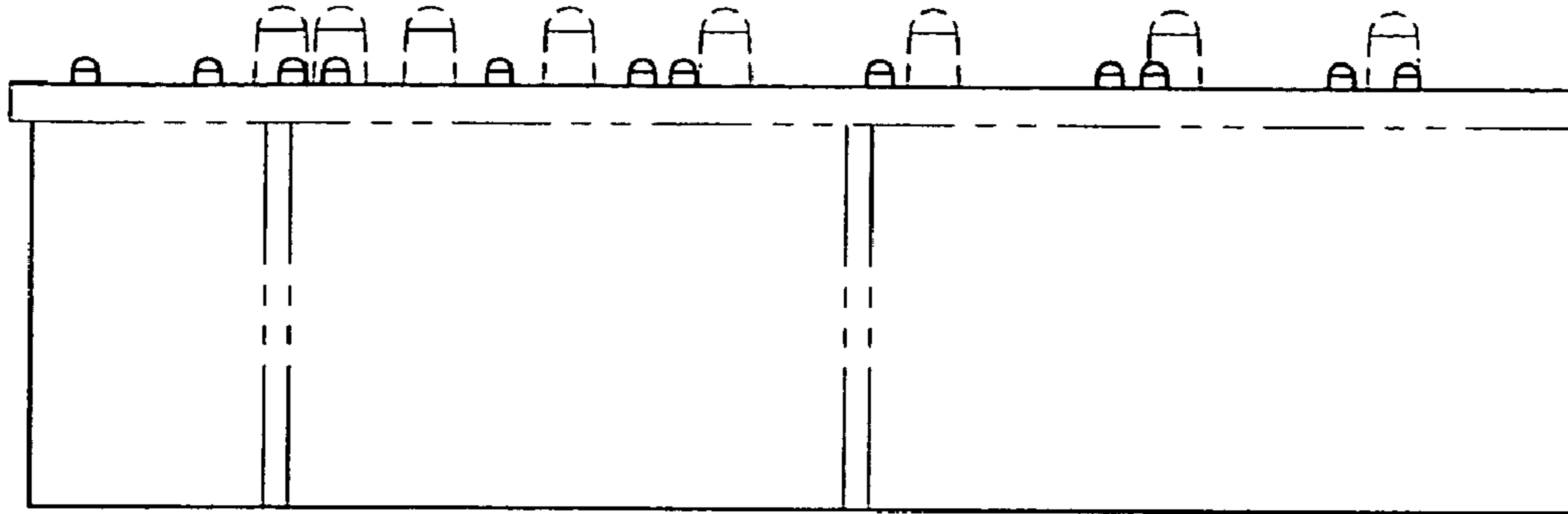


FIG.5

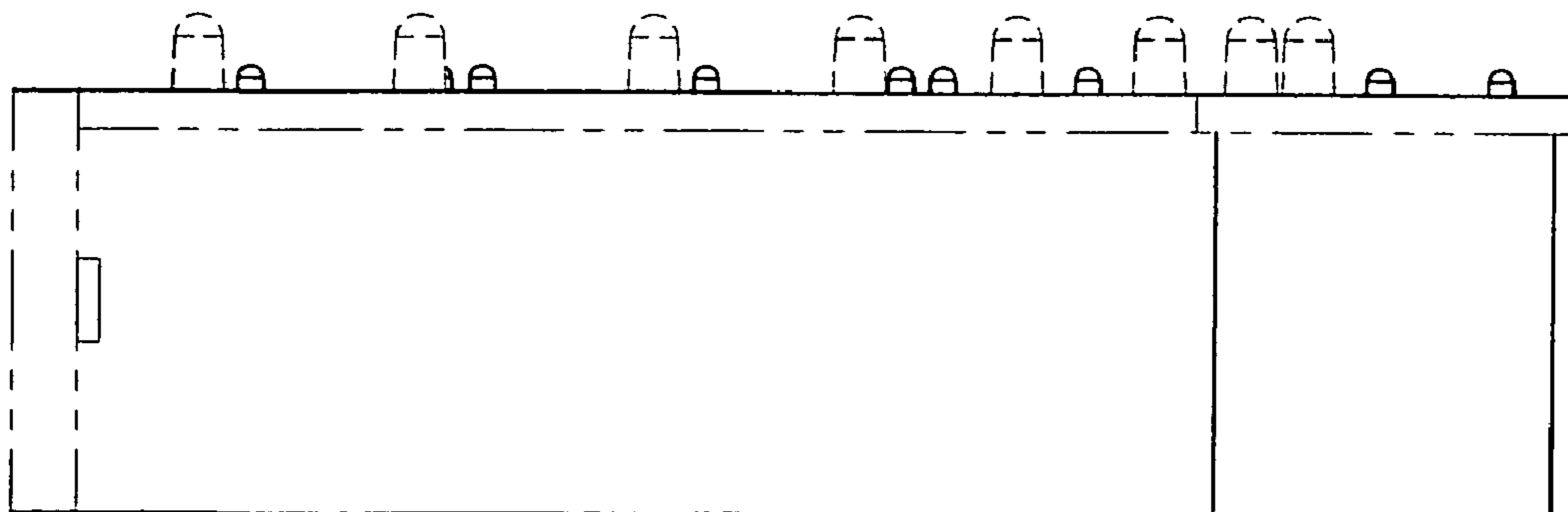


FIG. 6

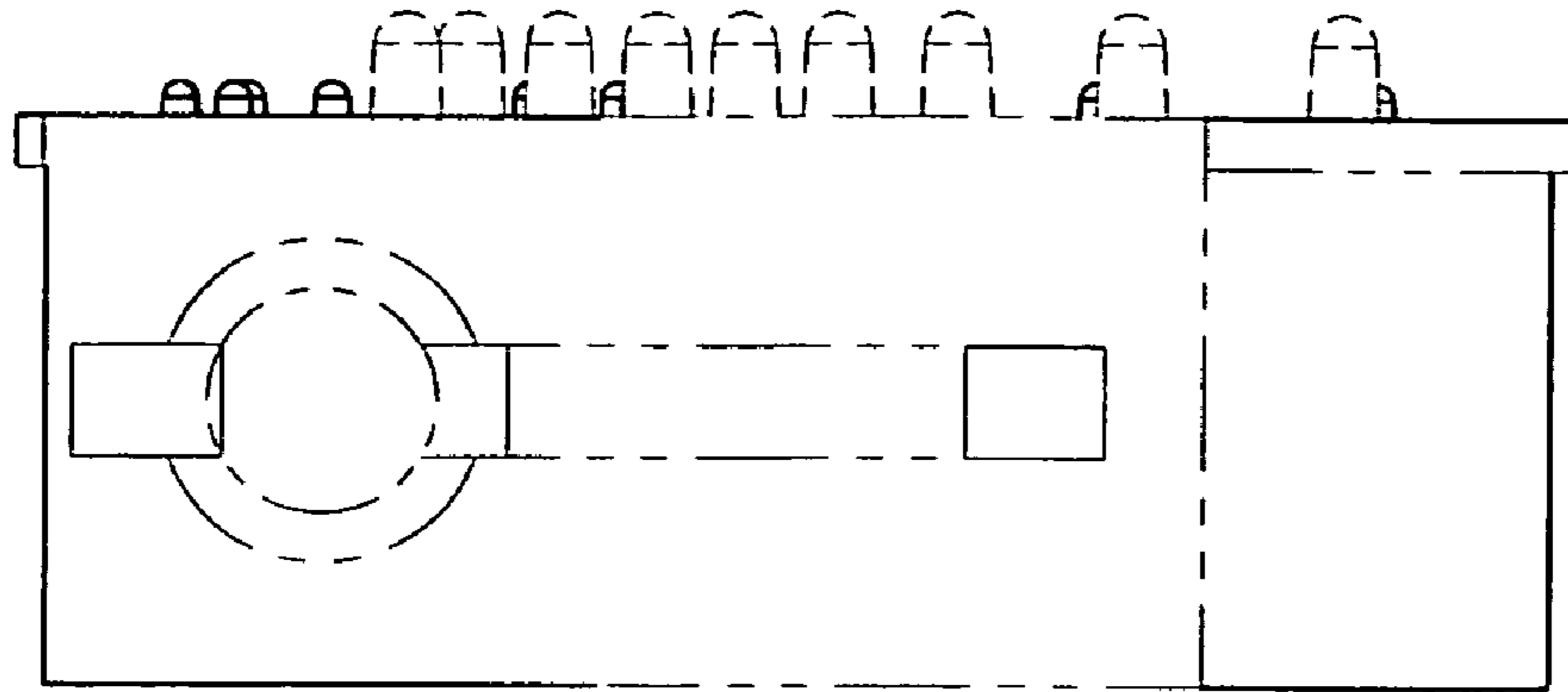


FIG. 7

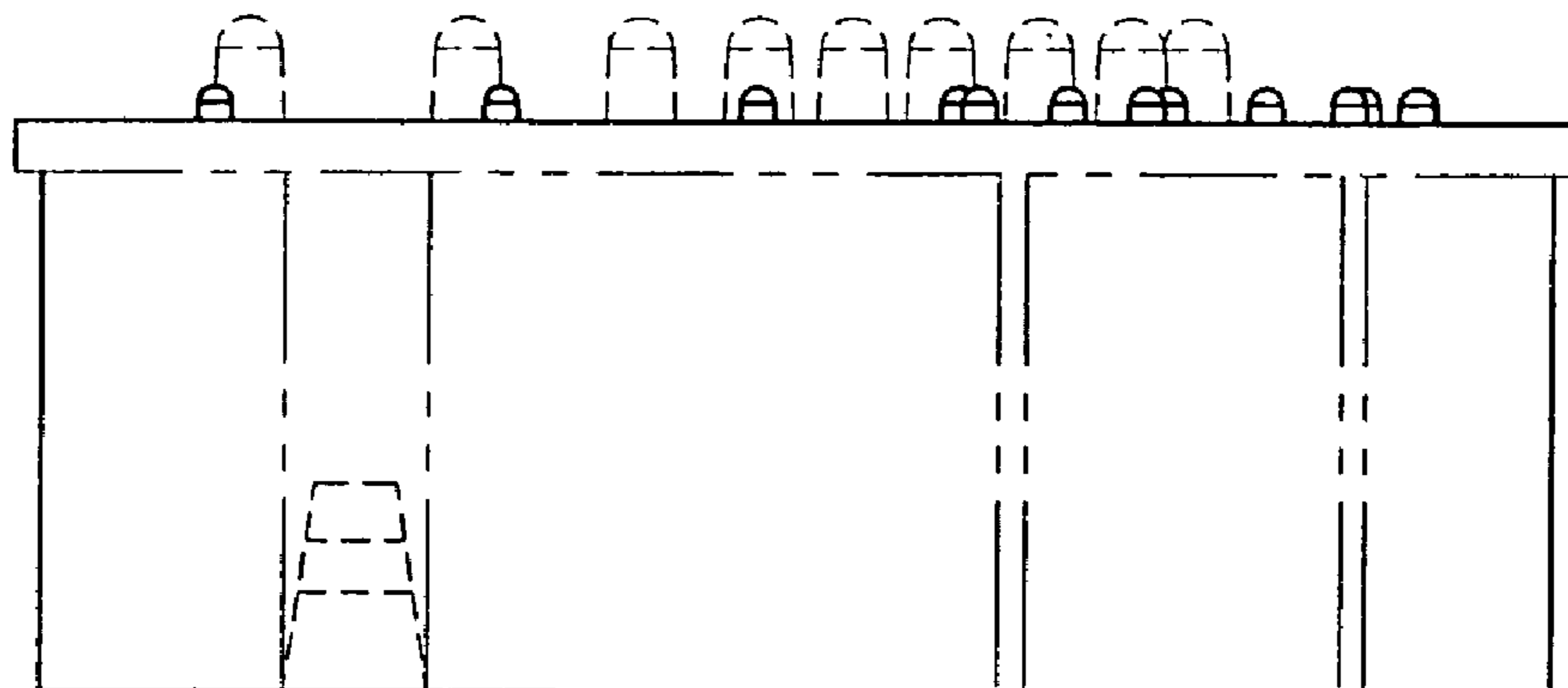


FIG.8

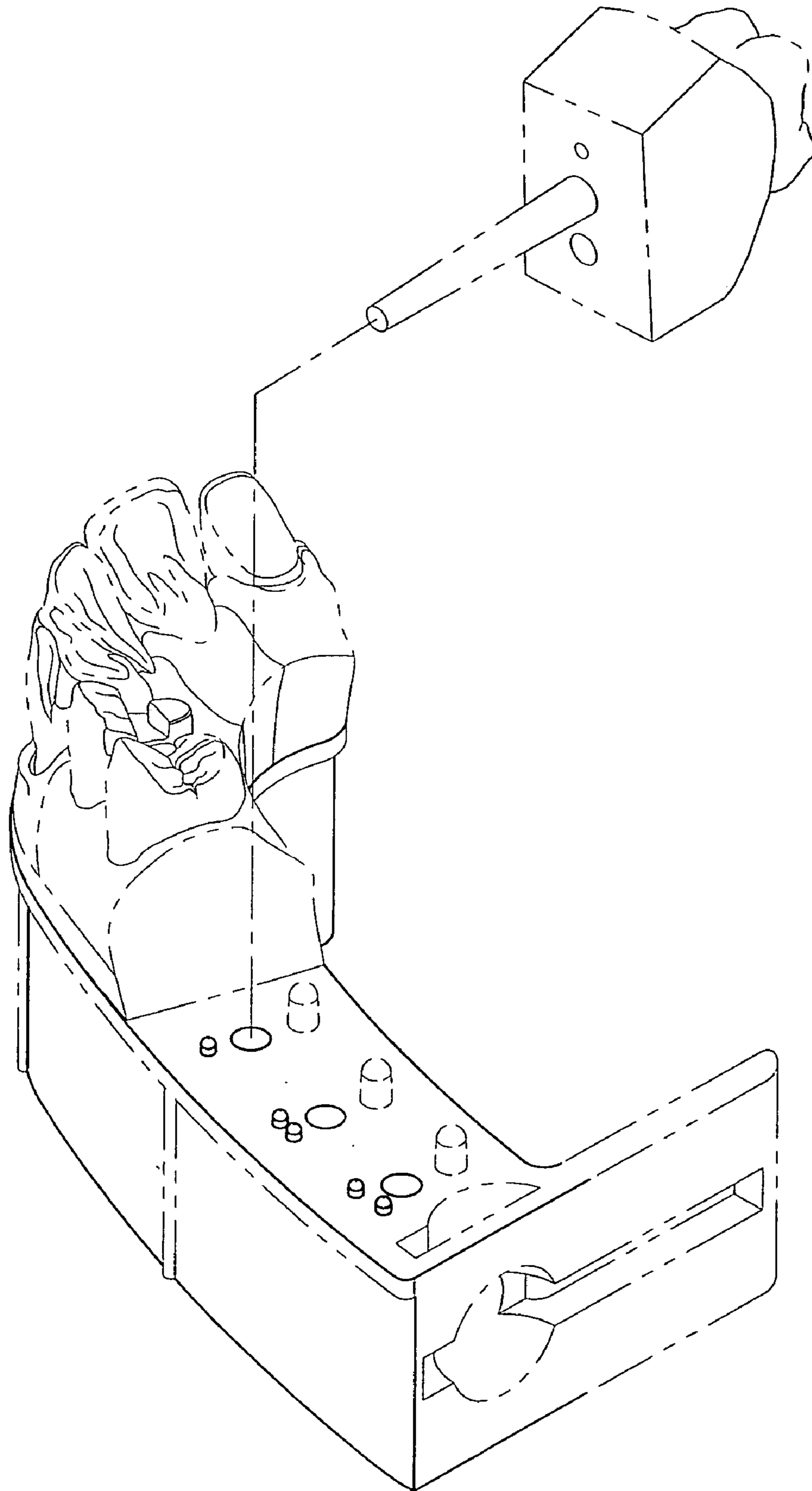




FIG.9

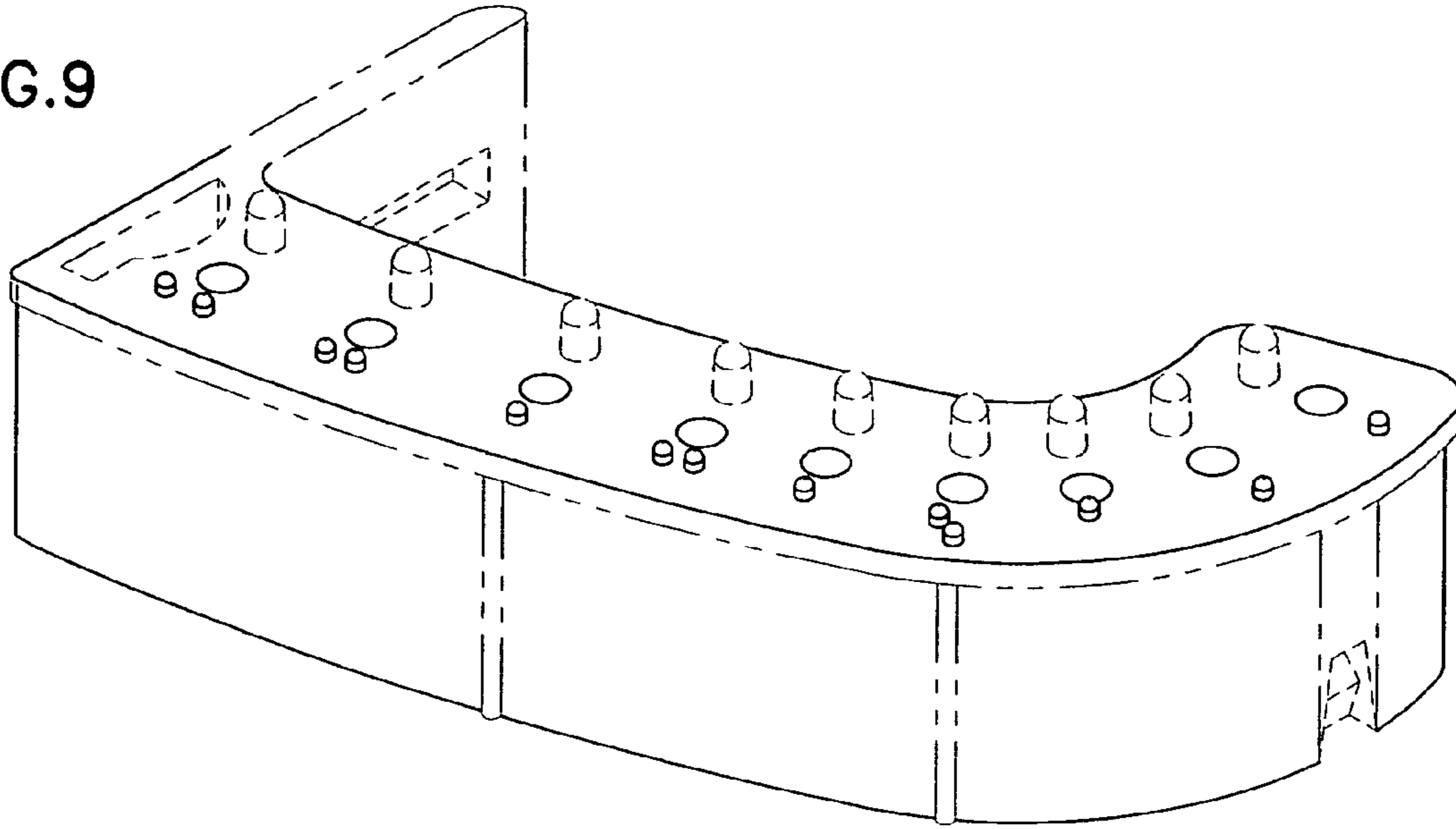


FIG.10

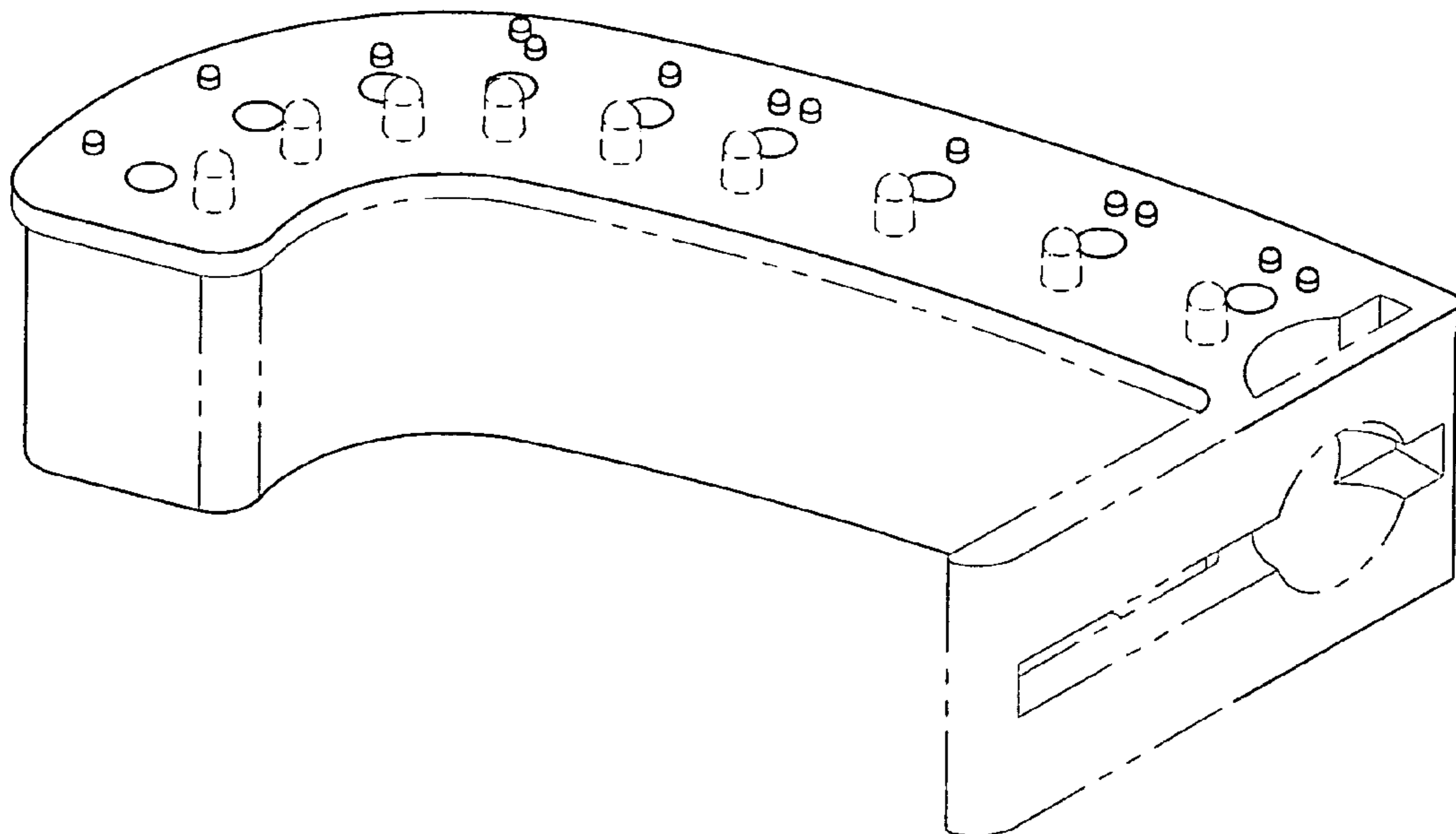


FIG. 11

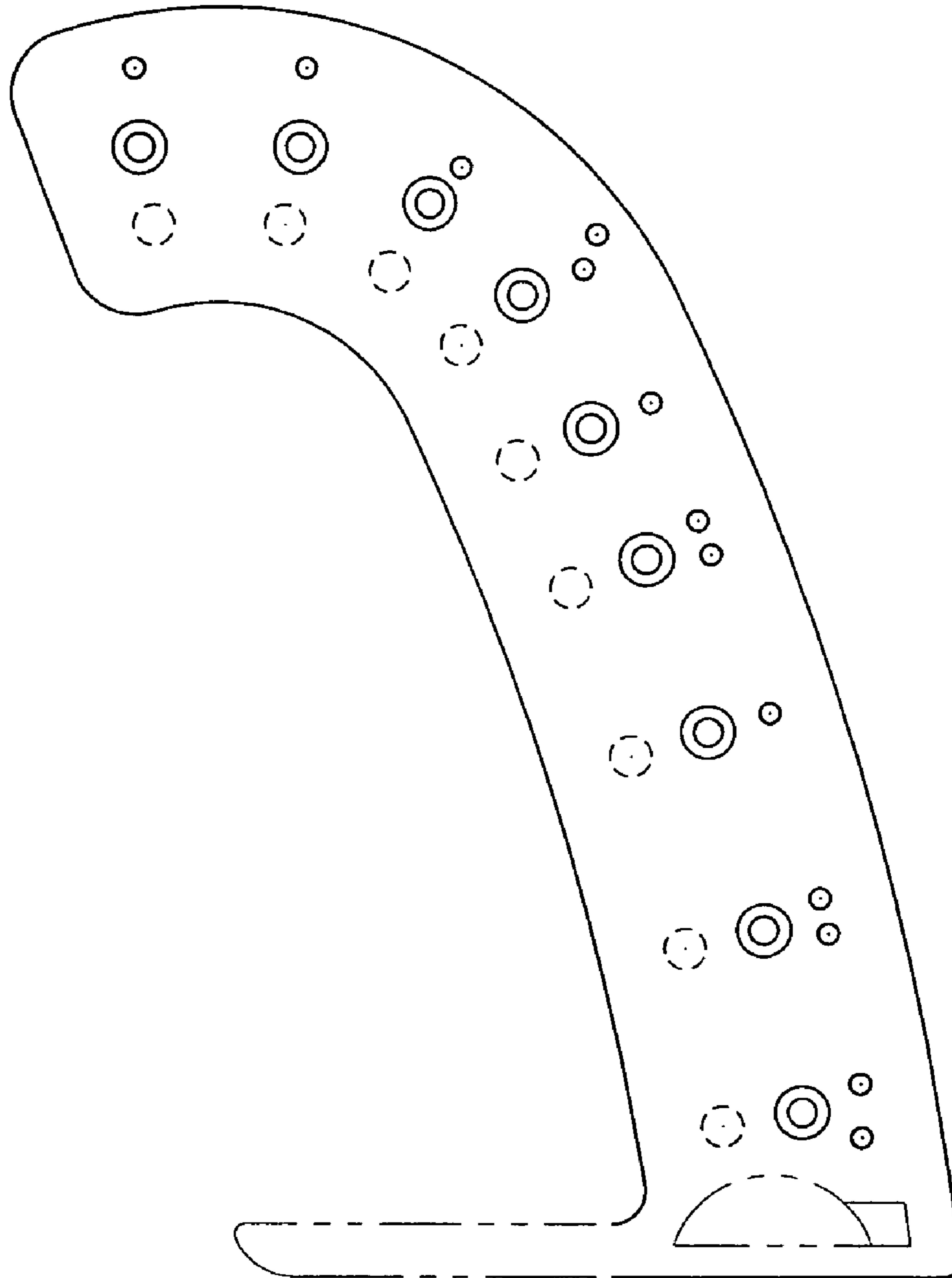


FIG.12

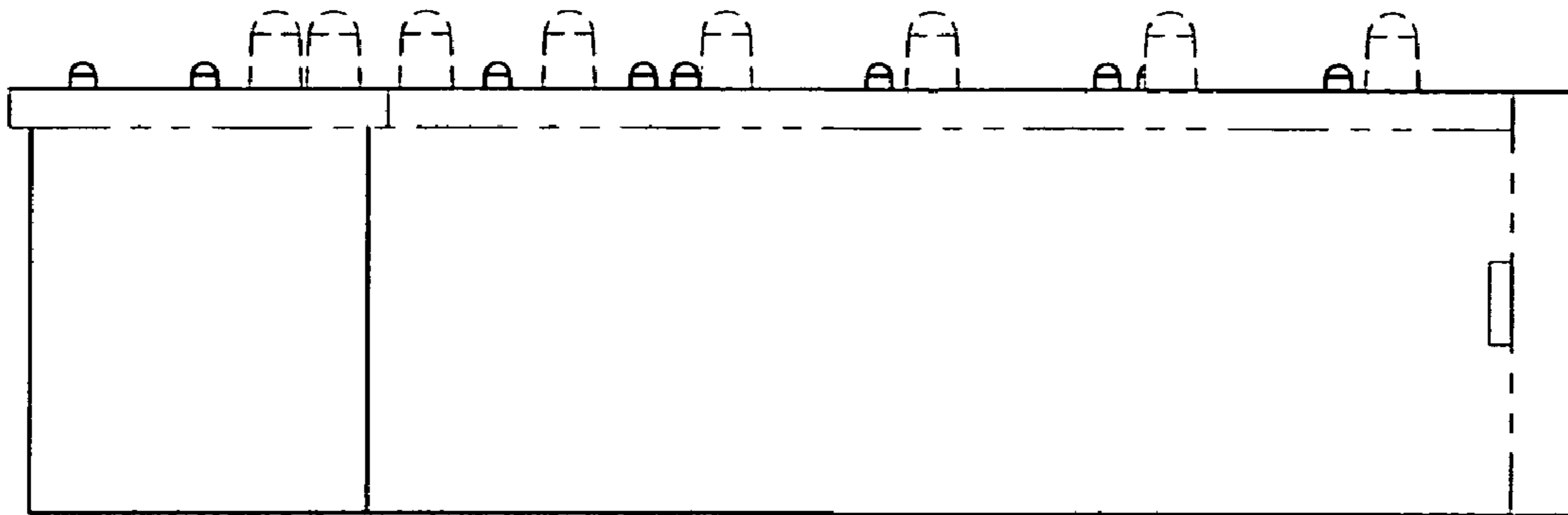


FIG.13

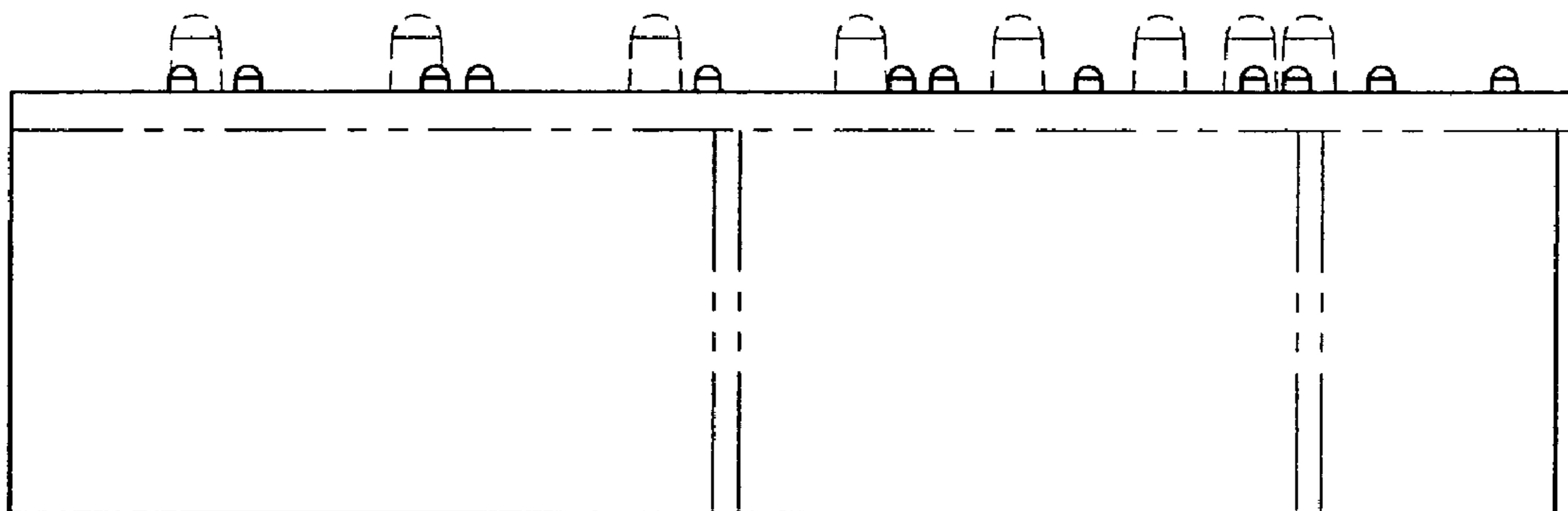


FIG. 14

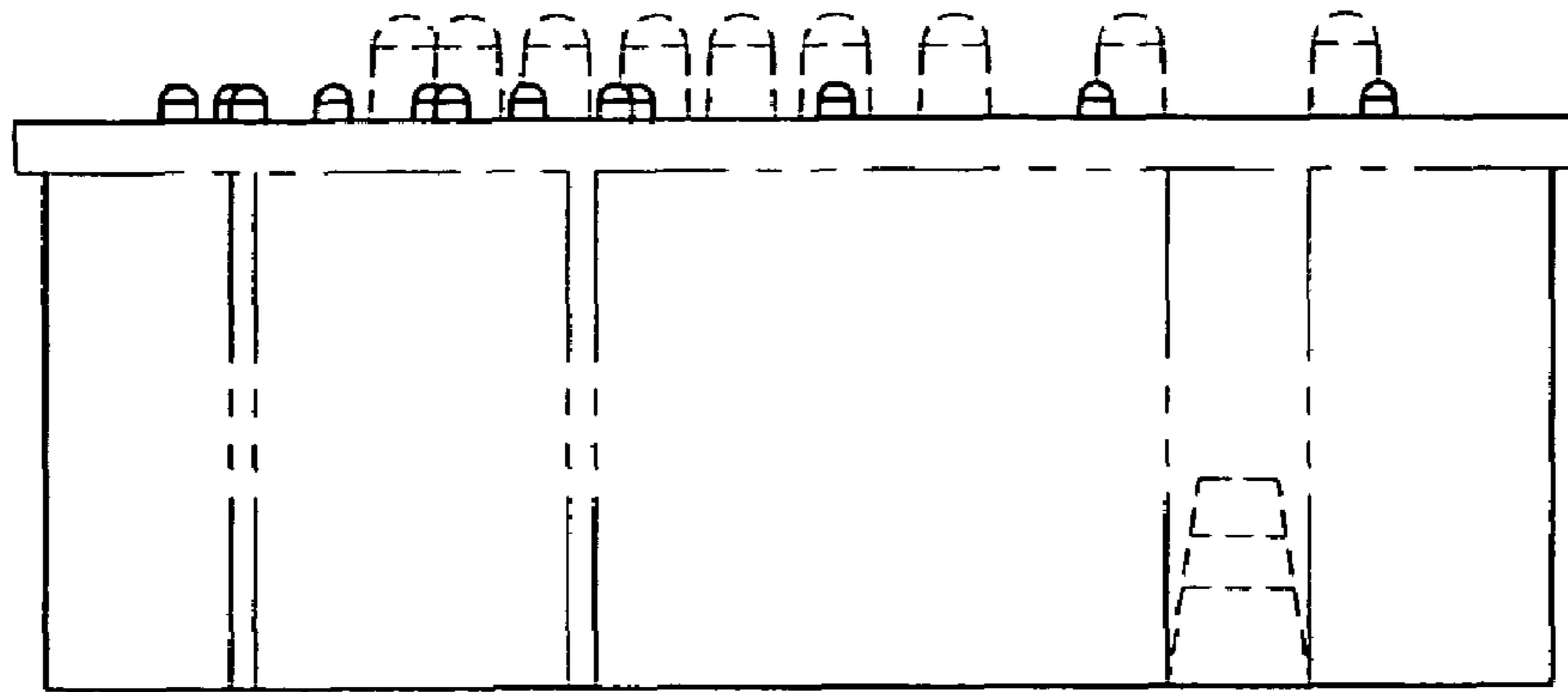


FIG. 15

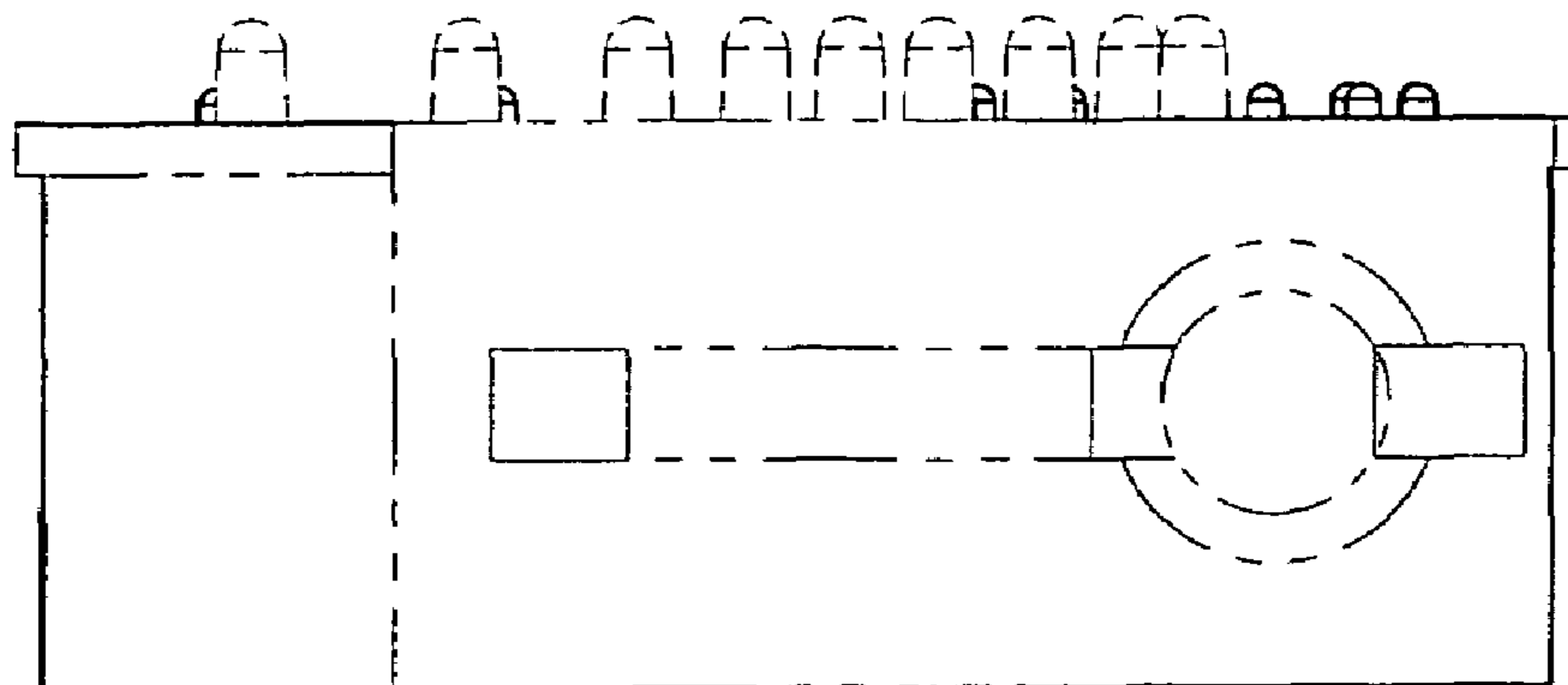


FIG. 16

