



US00D559984S

(12) **United States Design Patent**  
**Scheller**

(10) **Patent No.:** **US D559,984 S**

(45) **Date of Patent:** **\*\* Jan. 15, 2008**

(54) **ASYMMETRIC FORCEPS**

(75) Inventor: **Gregg Scheller**, O'Fallon, MO (US)

(73) Assignee: **Synergetics, Inc.**, O'Fallon, MO (US)

(\*\*) Term: **14 Years**

(21) Appl. No.: **29/256,658**

(22) Filed: **Mar. 22, 2006**

(51) **LOC (8) Cl.** ..... **24-02**

(52) **U.S. Cl.** ..... **D24/143; D24/144**

(58) **Field of Classification Search** ..... D24/144,  
D24/143, 133, 170; 606/32, 42, 45, 51, 52,  
606/205, 211

See application file for complete search history.

(56) **References Cited**

**U.S. PATENT DOCUMENTS**

4,461,297	A *	7/1984	Sutter	.....	606/210
5,116,333	A *	5/1992	Beane	.....	606/51
5,603,712	A *	2/1997	Koranda et al.	.....	606/51
D399,561	S *	10/1998	Ellingson	.....	D24/143
6,228,084	B1 *	5/2001	Kirwan, Jr.	.....	606/52
6,293,946	B1 *	9/2001	Thorne	.....	606/48
6,298,550	B1 *	10/2001	Kirwan, Jr.	.....	29/825

\* cited by examiner

*Primary Examiner*—Ian Simmons

*Assistant Examiner*—Christopher Lee

(74) *Attorney, Agent, or Firm*—Kevin L. Klug

(57) **CLAIM**

The ornamental design for an asymmetric forceps, as substantially shown and described.

**DESCRIPTION**

FIG. 1 is a perspective view of an asymmetric forceps showing my new design;

FIG. 2 is a top plan view thereof;

FIG. 3 is an enlarged partial top plan view of the forceps tip portion thereof;

FIG. 4 is a bottom plan view thereof;

FIG. 5 is an enlarged partial bottom plan view of the forceps tip portion thereof;

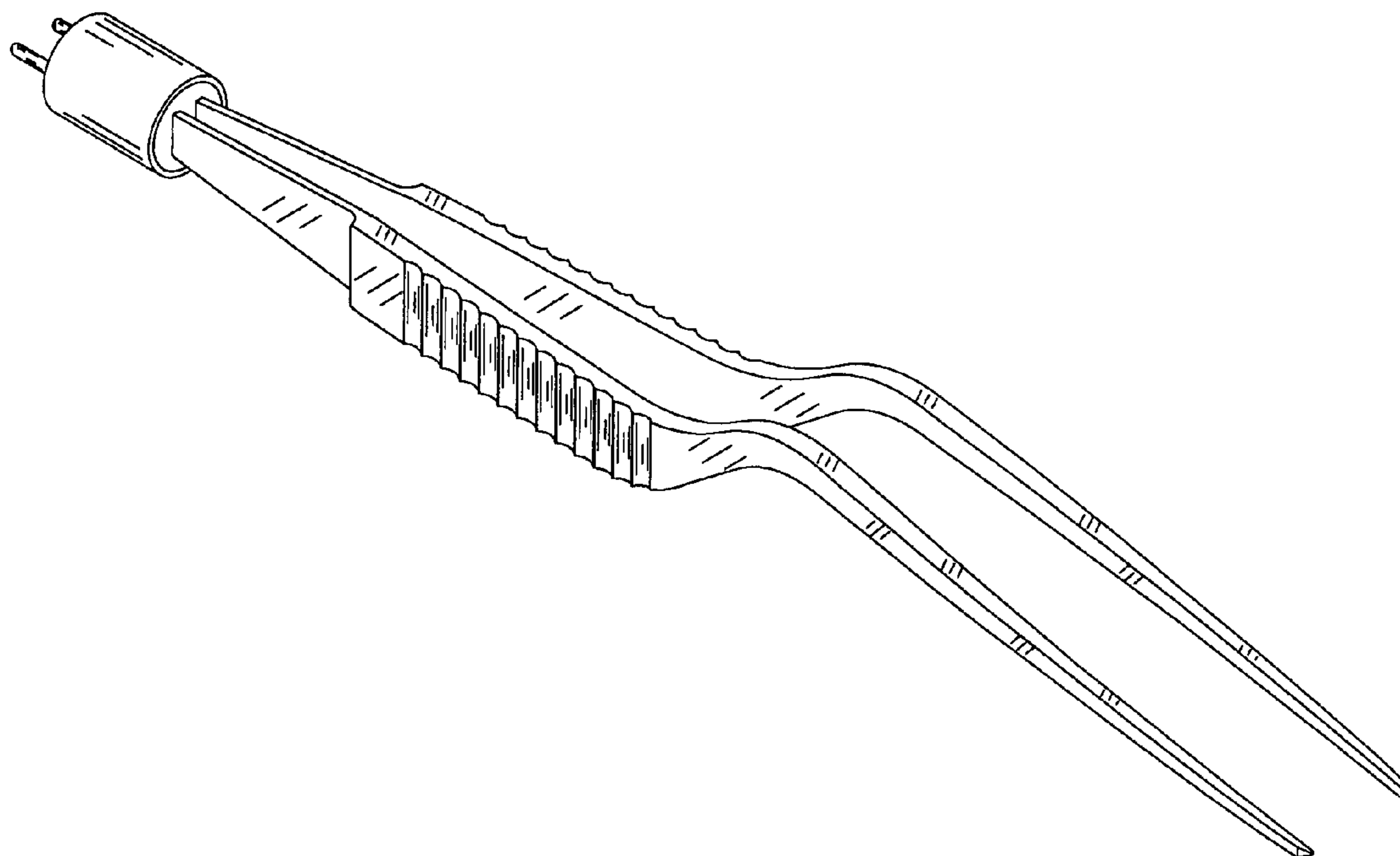
FIG. 6 is a right side elevation view thereof, the left side being a mirror image thereto;

FIG. 7 is an enlarged partial right side elevation view of the forceps tip portion thereof, the enlarged partial left side elevation view thereof being a mirror image thereto;

FIG. 8 is an enlarged front end view thereof; and,

FIG. 9 is an enlarged rear end view thereof.

**1 Claim, 6 Drawing Sheets**



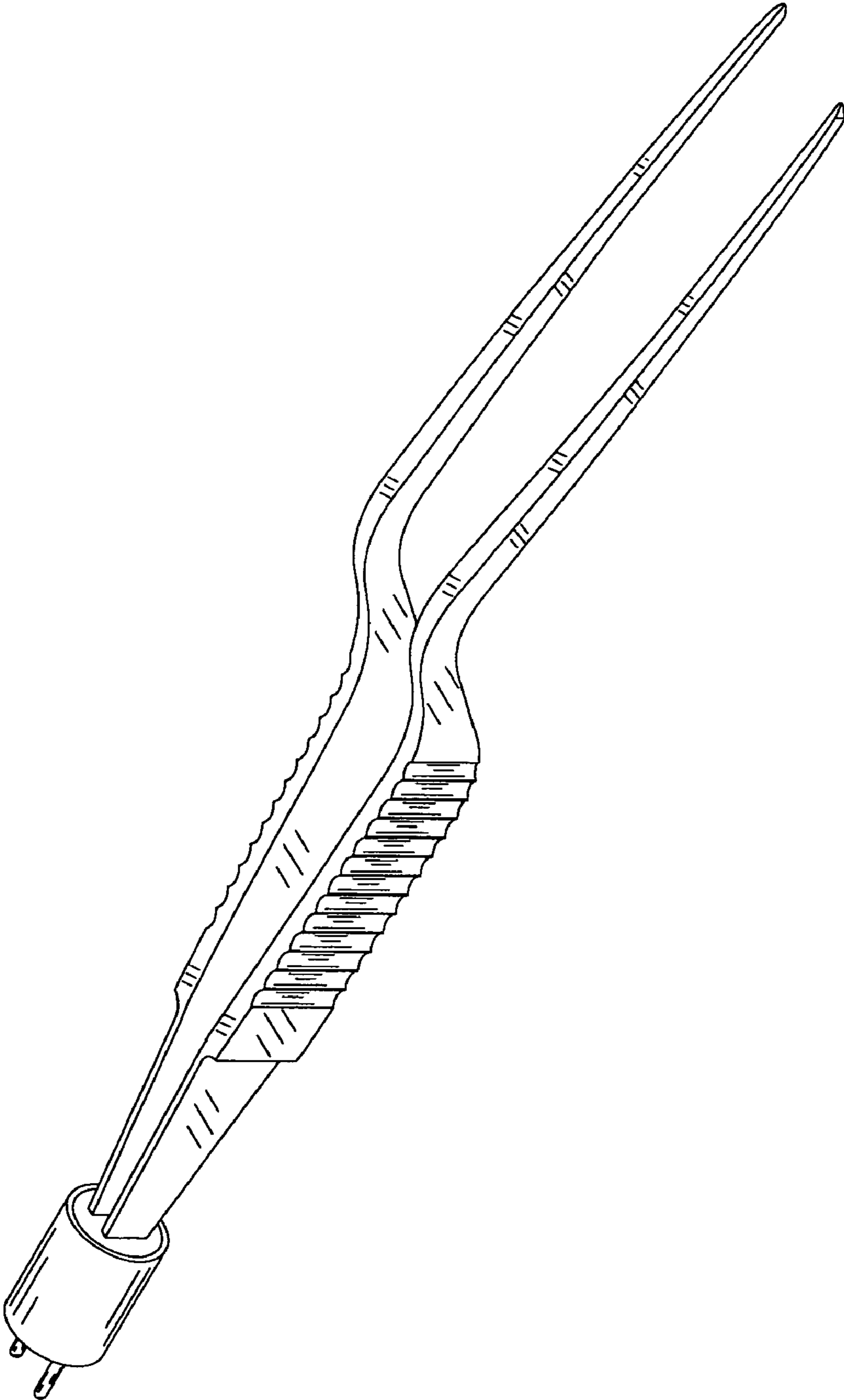


Fig. 1

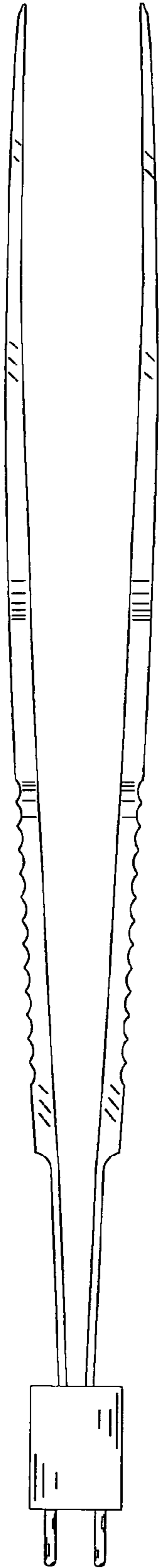


Fig. 2

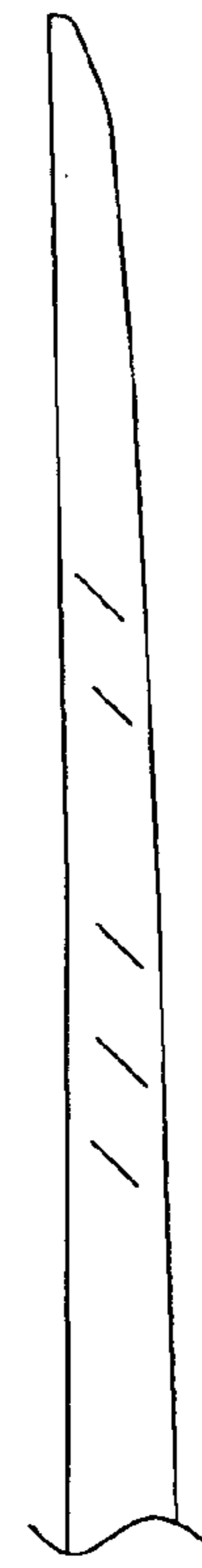


Fig. 3

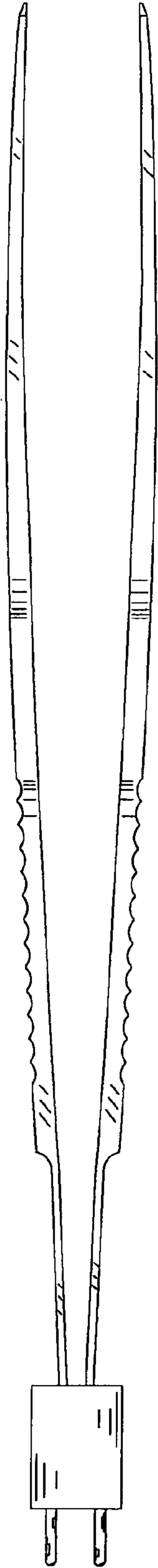


Fig. 4



Fig. 5

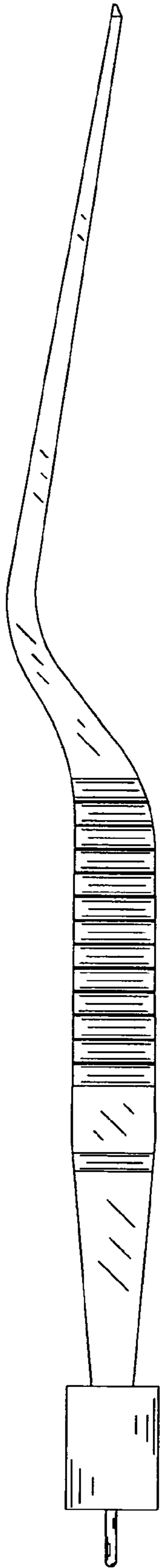


Fig. 6

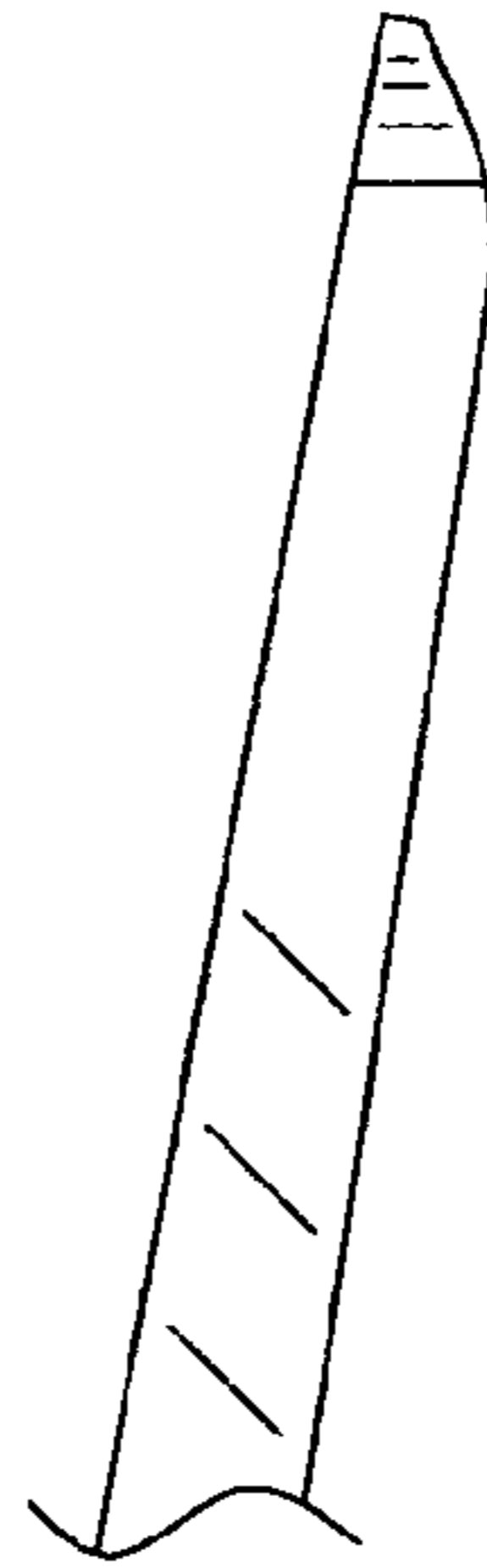


Fig. 7

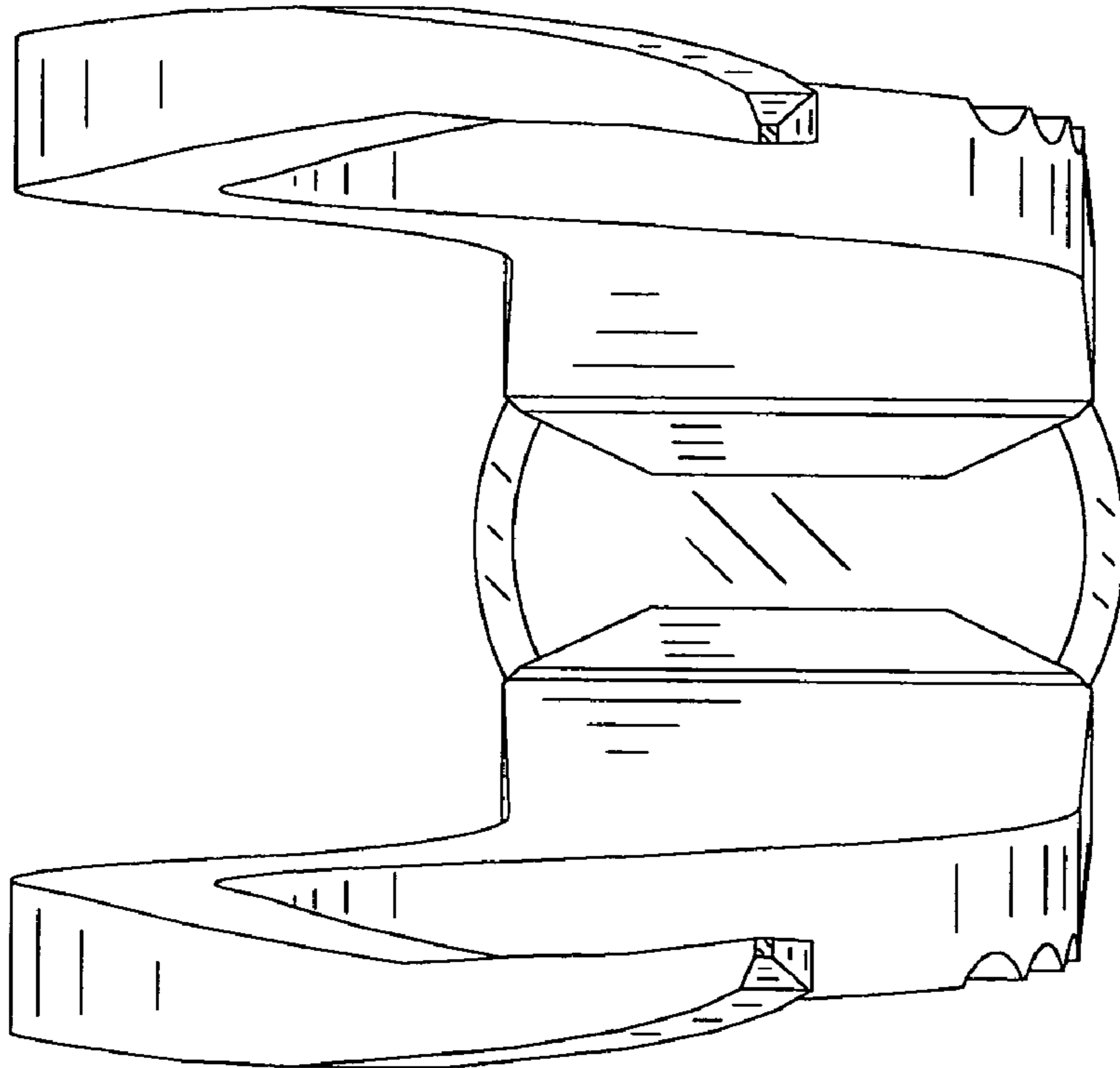


Fig. 8

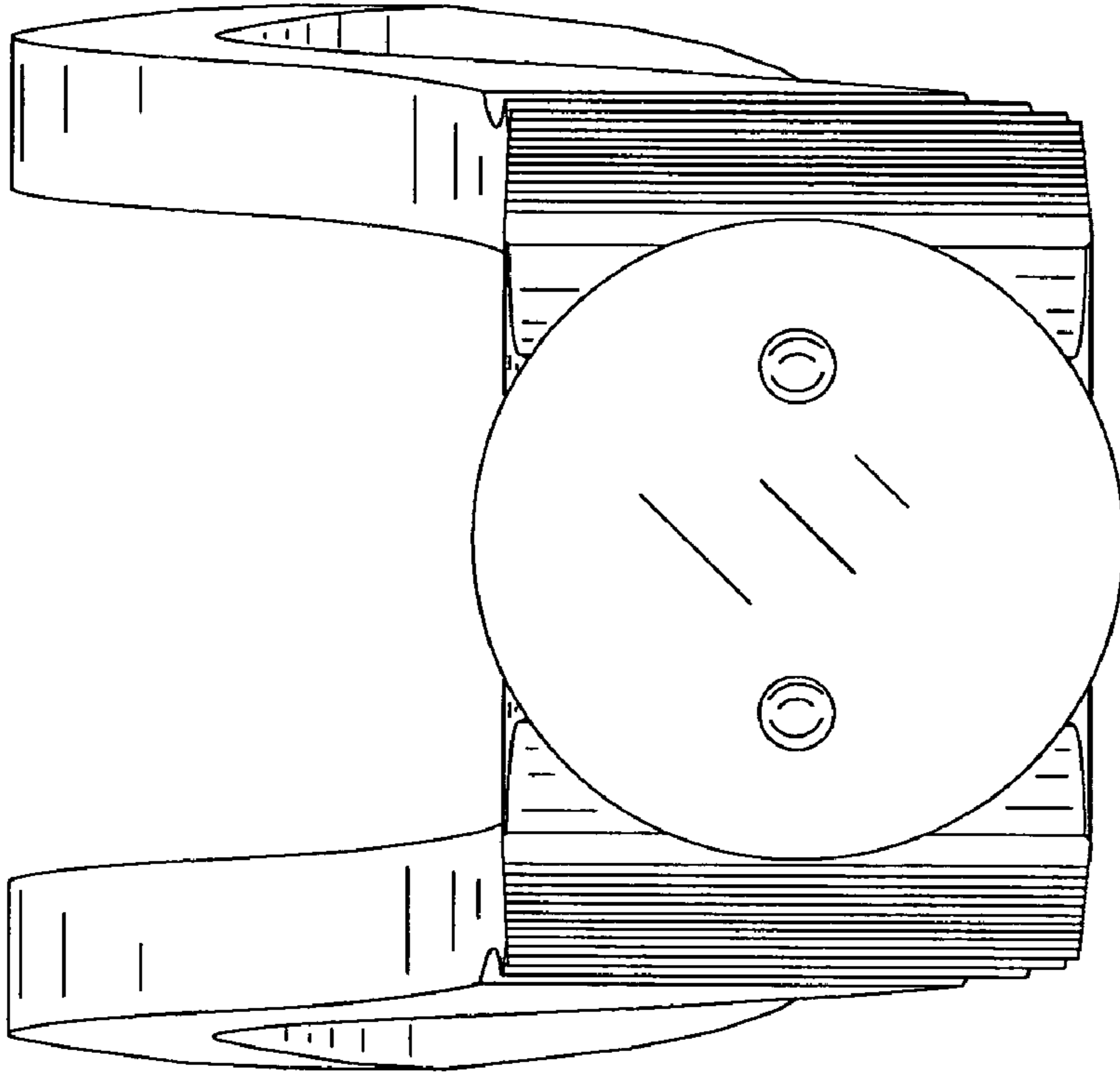


Fig. 9