



US00D559983S

(12) **United States Design Patent**
Edgett et al.

(10) **Patent No.:** **US D559,983 S**
(45) **Date of Patent:** **** Jan. 15, 2008**

(54) **FINGER GRIP**

(75) Inventors: **Keith J. Edgett**, Middletown, DE (US);
Robert T. Jorgensen, Middletown, DE
(US); **George S. Jarmon**,
Camden/Wyoming, DE (US)

(73) Assignee: **Playtex Products, Inc.**, Westport, CT
(US)

(**) Term: **14 Years**

(21) Appl. No.: **29/205,148**

(22) Filed: **May 10, 2004**

(51) **LOC (8) Cl.** **24-02**

(52) **U.S. Cl.** **D24/141**

(58) **Field of Classification Search** D24/141,
D24/135, 130; 604/14-18, 902, 11, 39, 41,
604/57, 59; 606/191; D14/411, 412, 418;
D9/552, 556, 557

See application file for complete search history.

(56) **References Cited**

U.S. PATENT DOCUMENTS

D67,464 S *	6/1925	Johnson	D9/552
D111,212 S *	9/1938	Meyer	D9/552
3,628,533 A	12/1971	Loyer	128/263
D250,663 S	12/1978	Koch et al.	D24/141
4,508,531 A	4/1985	Whitehead	604/14
4,536,178 A	8/1985	Lichstein et al.	604/15
4,676,773 A *	6/1987	Sheldon	604/14
4,857,044 A *	8/1989	Lennon	604/14
4,900,299 A *	2/1990	Webb	604/11
5,873,971 A *	2/1999	Balzar	D24/141
6,416,488 B1 *	7/2002	Jackson et al.	604/15
6,511,452 B1 *	1/2003	Rejai et al.	604/15

D480,650 S *	10/2003	Moore et al.	D9/540
D492,033 S *	6/2004	Jarmon et al.	D24/141
D509,746 S *	9/2005	Mero et al.	D9/538
D515,212 S *	2/2006	Edgett et al.	D24/141
2001/0014784 A1 *	8/2001	Tweddelle t al.	604/15
2003/0040695 A1 *	2/2003	Zhao et al.	604/15

* cited by examiner

Primary Examiner—Ian Simmons

Assistant Examiner—Charles D Hanson

(74) *Attorney, Agent, or Firm*—Ohlandt, Greeley, Ruggiero
& Perle, L.L.P.

(57) **CLAIM**

The ornamental design for finger grip, as shown and described.

DESCRIPTION

FIG. 1 is a front perspective view of a finger grip for a tampon applicator barrel according to a first embodiment of the present invention;

FIG. 2 is a rear perspective view, rotated 180 degrees, of the finger grip of FIG. 1;

FIG. 3 is a side view of the finger grip of FIG. 1;

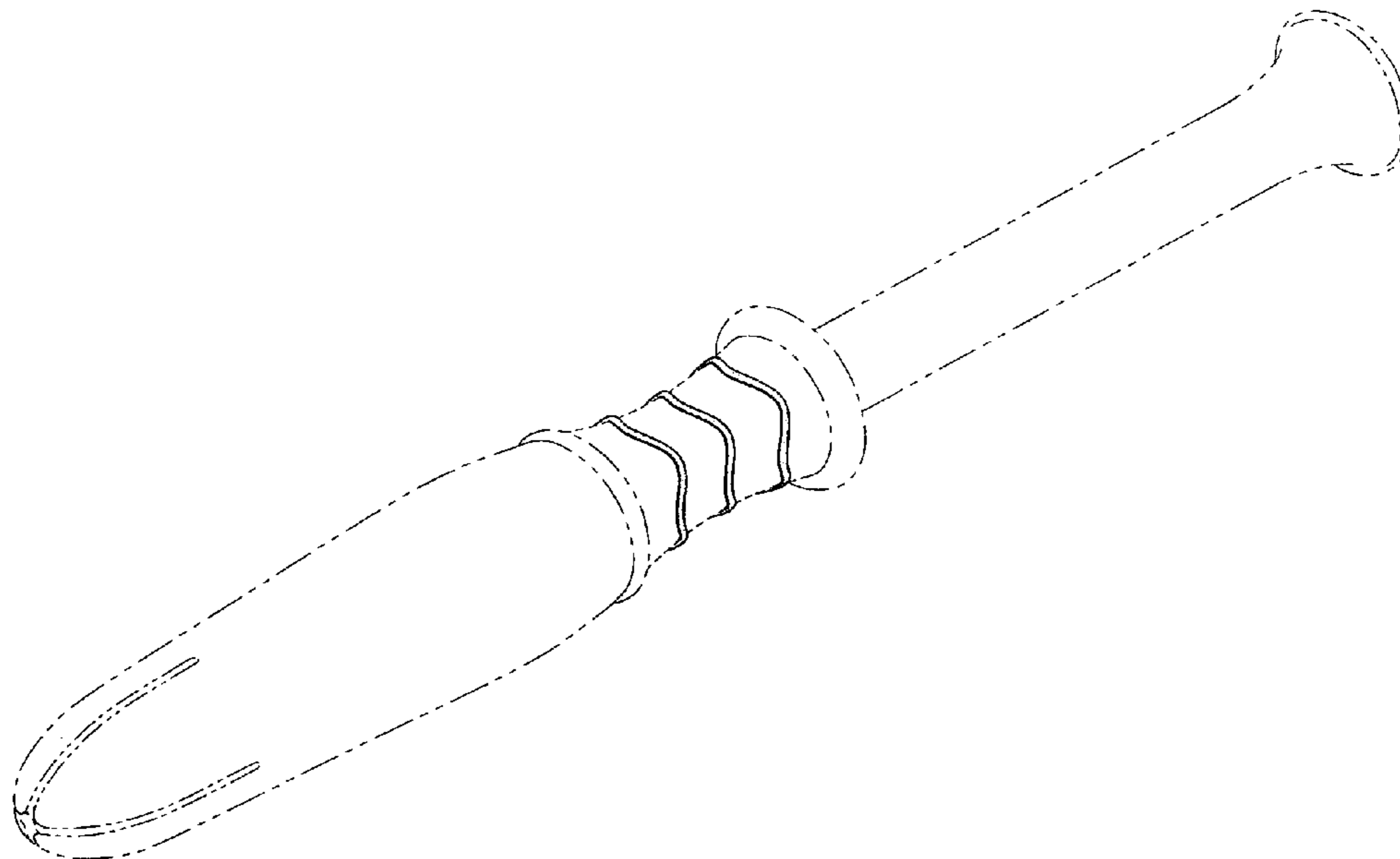
FIG. 4 is a front perspective view of a finger grip for a tampon applicator barrel according to a second embodiment of the present invention;

FIG. 5 is a rear perspective view, rotated 180 degrees, of the finger grip of FIG. 4; and,

FIG. 6 is a side view of the finger grip of FIG. 4.

The broken line showing is for illustrative purposes only and forms no part of the claimed design.

1 Claim, 6 Drawing Sheets



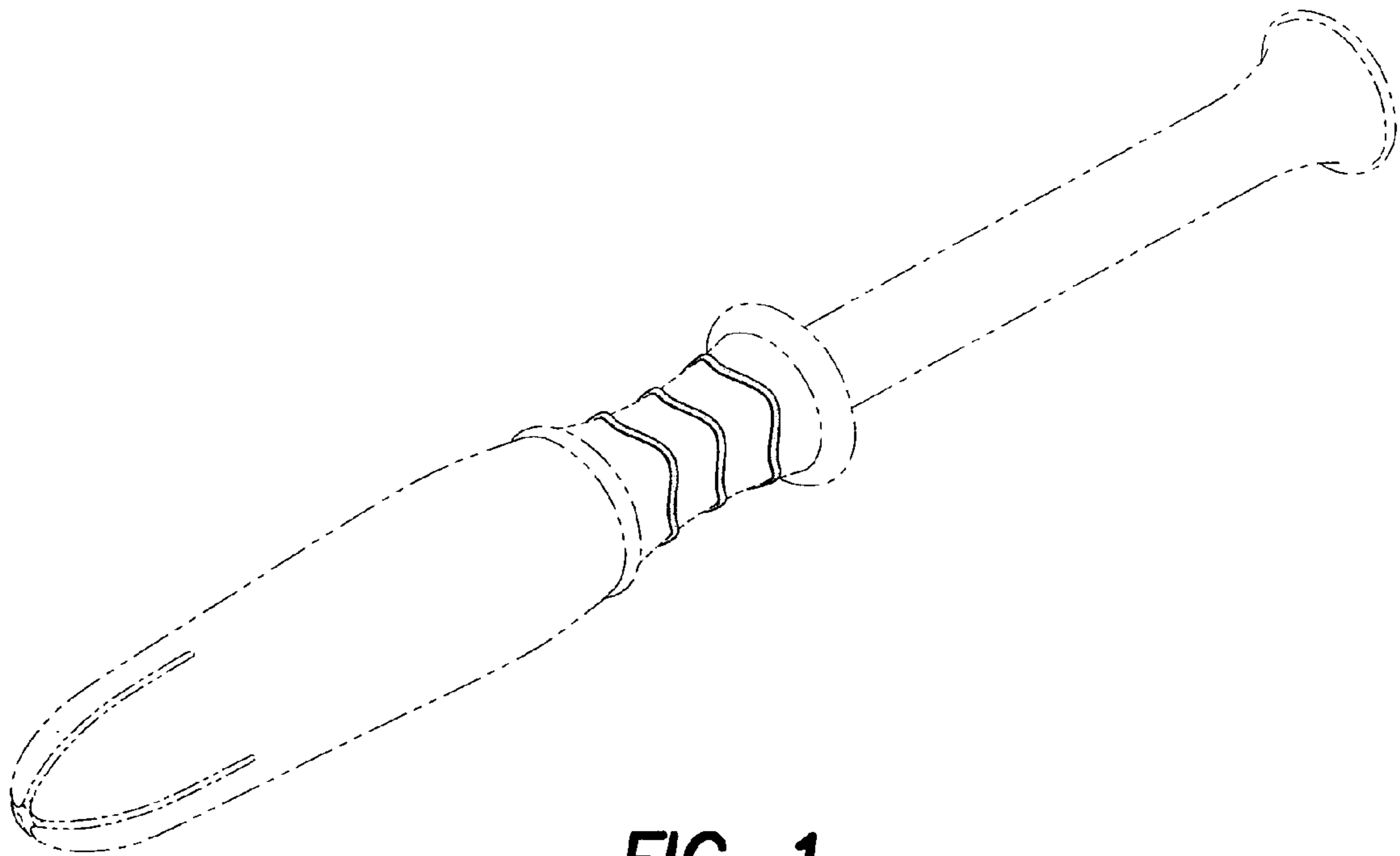


FIG. 1

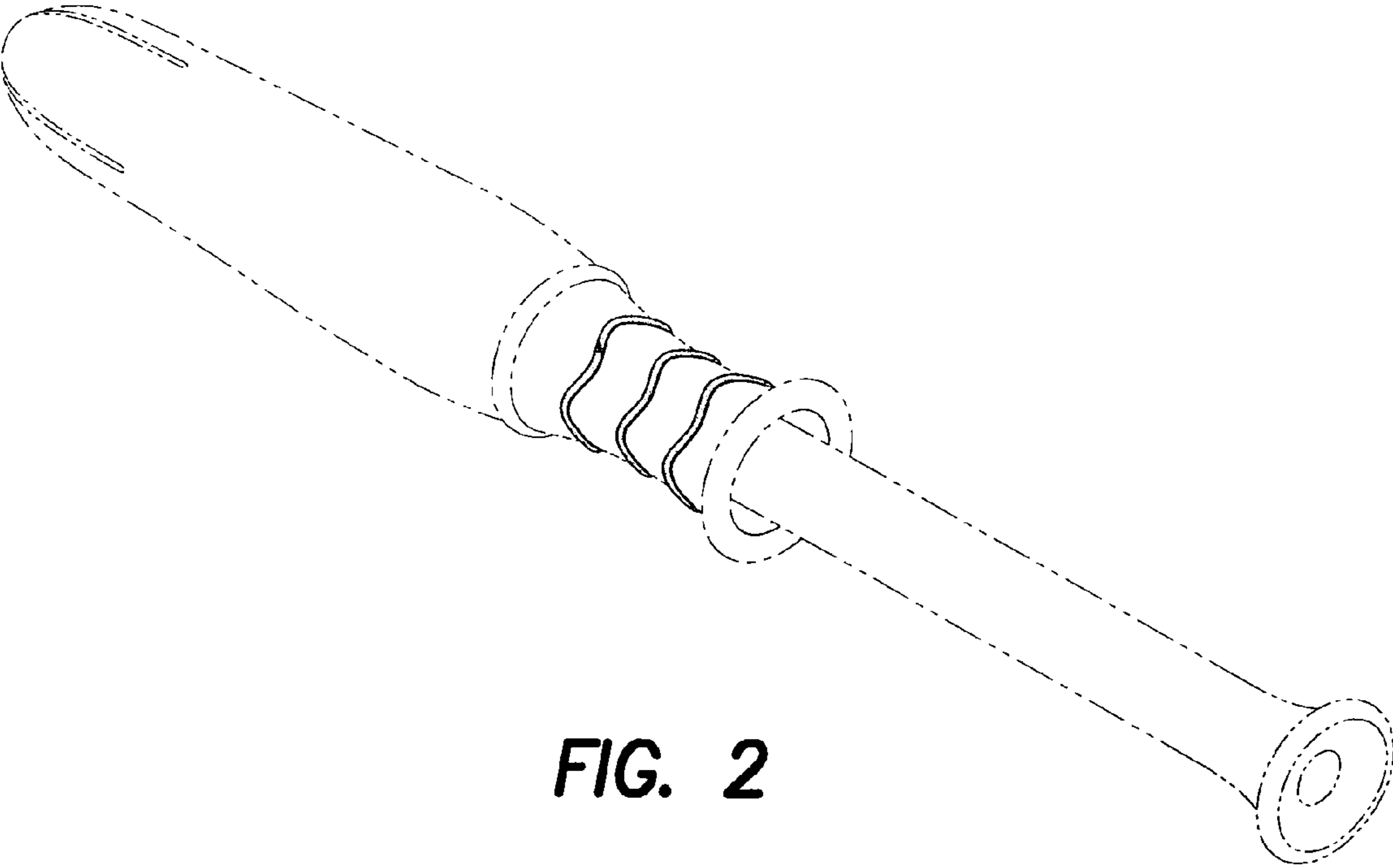
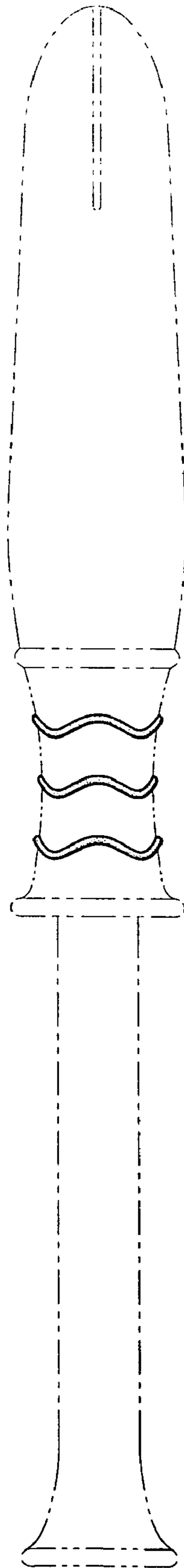


FIG. 2

FIG. 3



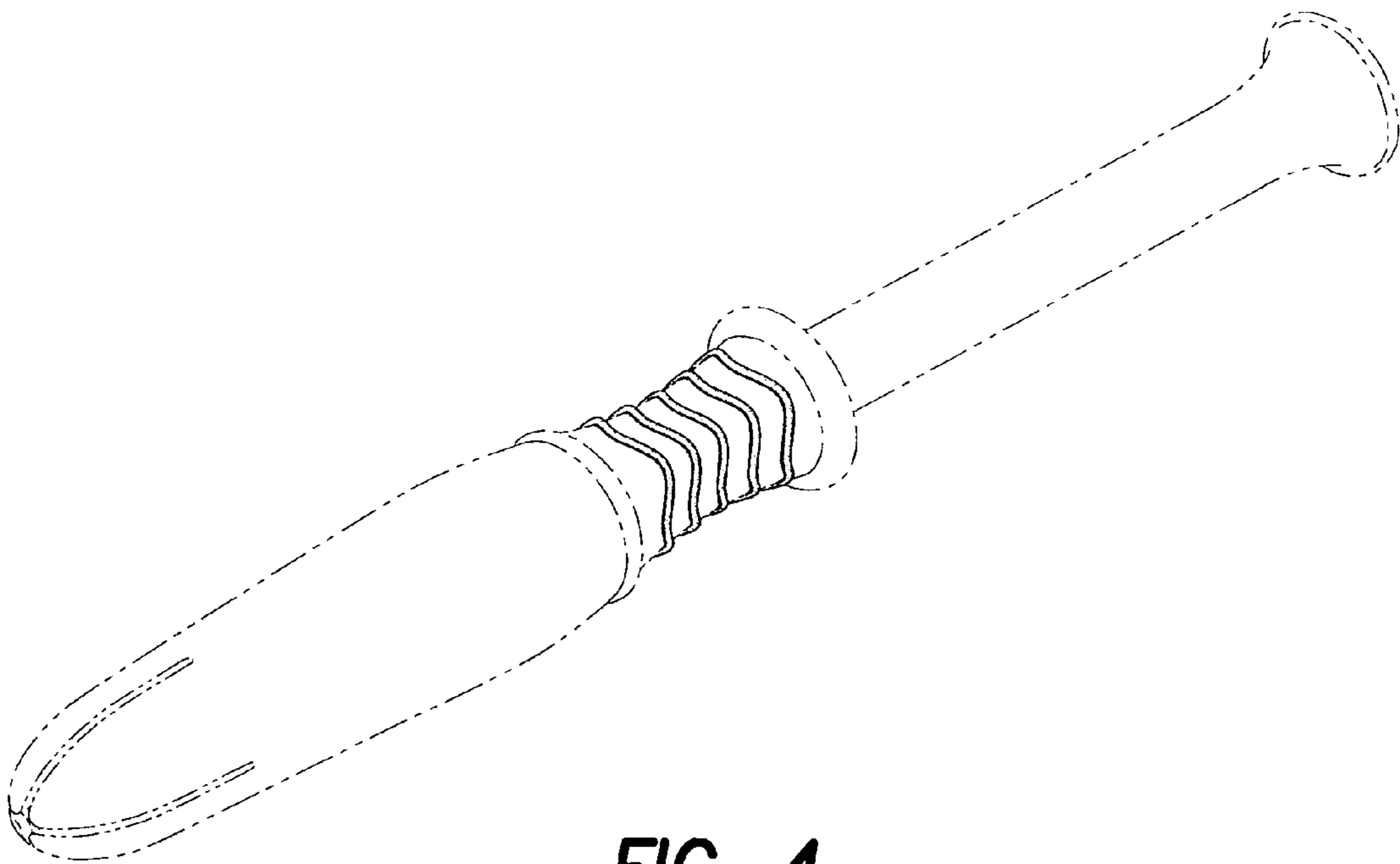


FIG. 4

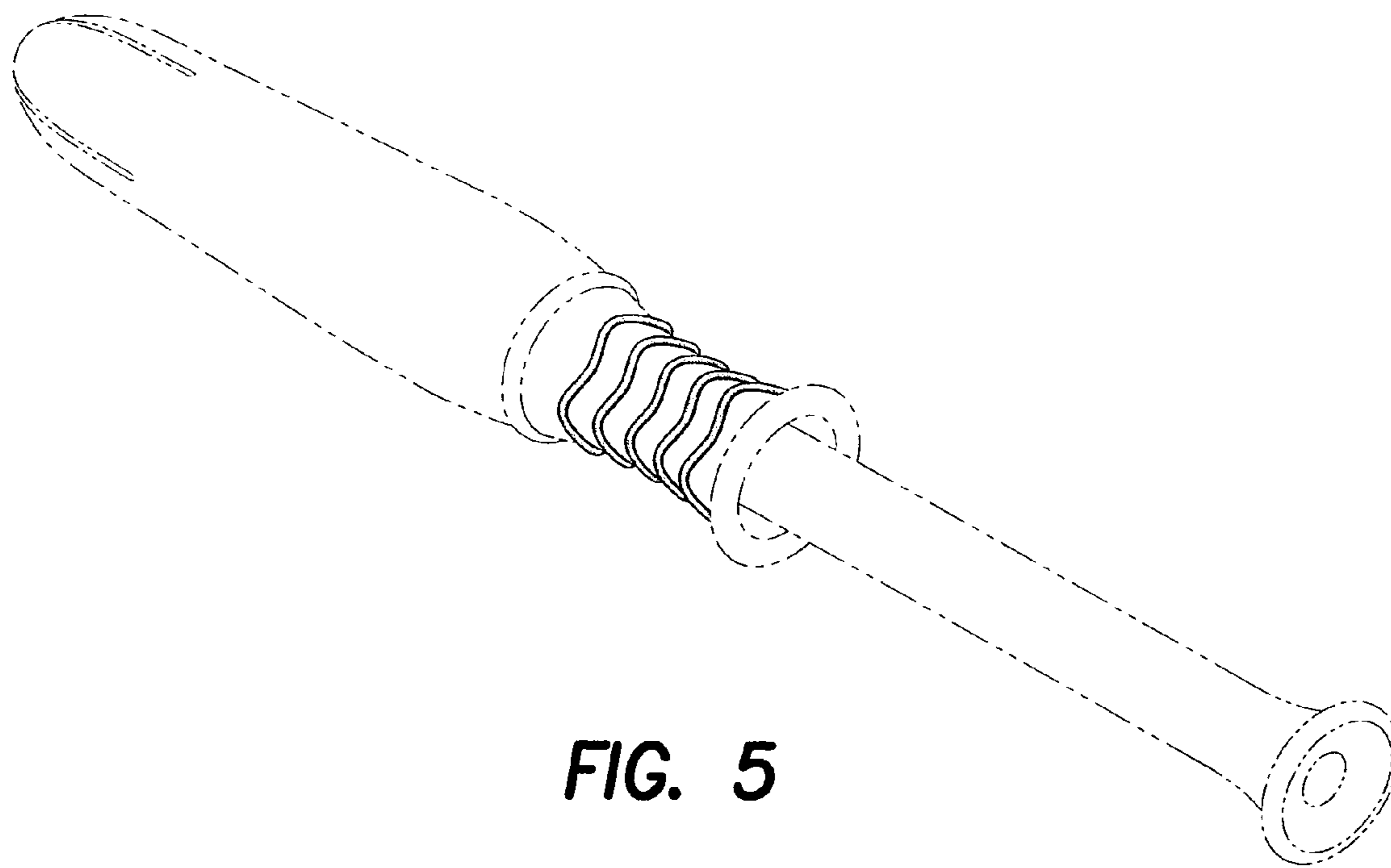


FIG. 5

FIG. 6

