



US00D559975S

(12) **United States Design Patent**
Tran et al.

(10) **Patent No.: US D559,975 S**
(45) **Date of Patent: ** Jan. 15, 2008**

(54) **CYLINDRICAL NEBULIZER**

(75) Inventors: **Tuan Quoc Tran**, Glen Allen, VA (US);
Amy Laituri Krieg, Gushikawa (JP);
Travis Lontz, Woodford, VA (US)

(73) Assignee: **PRE Holding, Inc.**, Midlothian, VA (US)

(**) Term: **14 Years**

(21) Appl. No.: **29/266,480**

(22) Filed: **Sep. 22, 2006**

(51) **LOC (8) Cl.** **29-02**

(52) **U.S. Cl.** **D24/110**

(58) **Field of Classification Search** D24/110;
D9/560; D7/608; 128/200.14, 203.12, 200.23,
128/204.21, 205.24, 203.28, 203.14, 205.13
See application file for complete search history.

(56) **References Cited**

U.S. PATENT DOCUMENTS

D331,281 S *	11/1992	Levine	D24/110
5,415,161 A *	5/1995	Ryder	128/200.23
5,853,002 A *	12/1998	Kawasaki	128/200.14
D441,069 S *	4/2001	Hammarlund et al.	D24/110
6,578,571 B1 *	6/2003	Watt	128/200.14
2006/0021613 A1 *	2/2006	Overlander	128/200.14

* cited by examiner

Primary Examiner—Ian Simmons

Assistant Examiner—Christopher Lee

(74) *Attorney, Agent, or Firm*—McGuireWoods LLP

(57) **CLAIM**

We claim the ornamental design for a cylindrical nebulizer, as shown and described.

DESCRIPTION

FIG. 1 is a perspective view of the cylindrical nebulizer; FIG. 2 is a front view of the design embodiment shown in FIG. 1;

FIG. 3 is a back view of the design embodiment shown in FIG. 1;

FIG. 4 is a left side view of the design embodiment shown in FIG. 1;

FIG. 5 is a top view of the design embodiment shown in FIG. 1;

FIG. 6 is a bottom view of the design of embodiment shown in FIG. 1;

FIG. 7 is a perspective view of another aspect of the cylindrical nebulizer;

FIG. 8 is a front view of the design embodiment shown in FIG. 7;

FIG. 9 is a back view of the design embodiment shown in FIG. 7;

FIG. 10 is a left side view of the design embodiment shown in FIG. 7;

FIG. 11 is a top view of the design embodiment shown in FIG. 7;

FIG. 12 is a bottom view of the design embodiment shown in FIG. 7;

FIG. 13 is a perspective view of another aspect of the cylindrical nebulizer;

FIG. 14 is a front view of the design embodiment shown in FIG. 13;

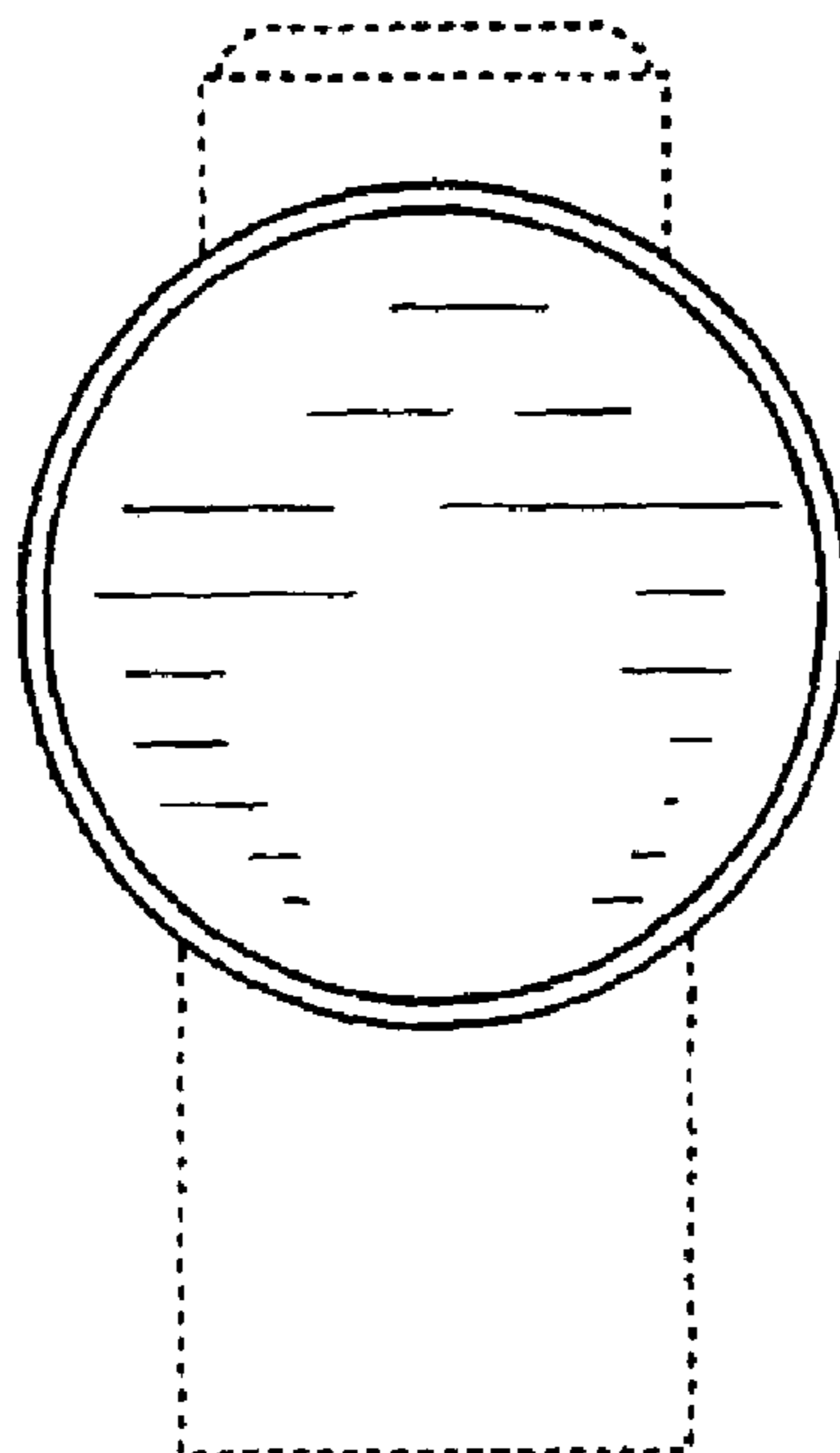


FIG. 15 is a back view of the design embodiment shown in FIG. 13;

FIG. 16 is a left side view of the design embodiment shown in FIG. 13;

FIG. 17 is a top view of the design embodiment shown in FIG. 13;

FIG. 18 is a bottom view of the design embodiment shown in FIG. 13;

FIG. 19 is a perspective view of another aspect of the cylindrical nebulizer;

FIG. 20 is a front view of the design embodiment shown in FIG. 19;

FIG. 21 is a back view of the design embodiment shown in FIG. 19;

FIG. 22 is a left side view of the design embodiment shown in FIG. 19;

FIG. 23 is a top view of the design embodiment shown in FIG. 19; and,

FIG. 24 is a bottom view of the design embodiment shown in FIG. 19.

The portion of the article in broken lines is shown in FIGS. 1-24 are for illustrative purposes only and form no part of the claimed design.

1 Claim, 16 Drawing Sheets

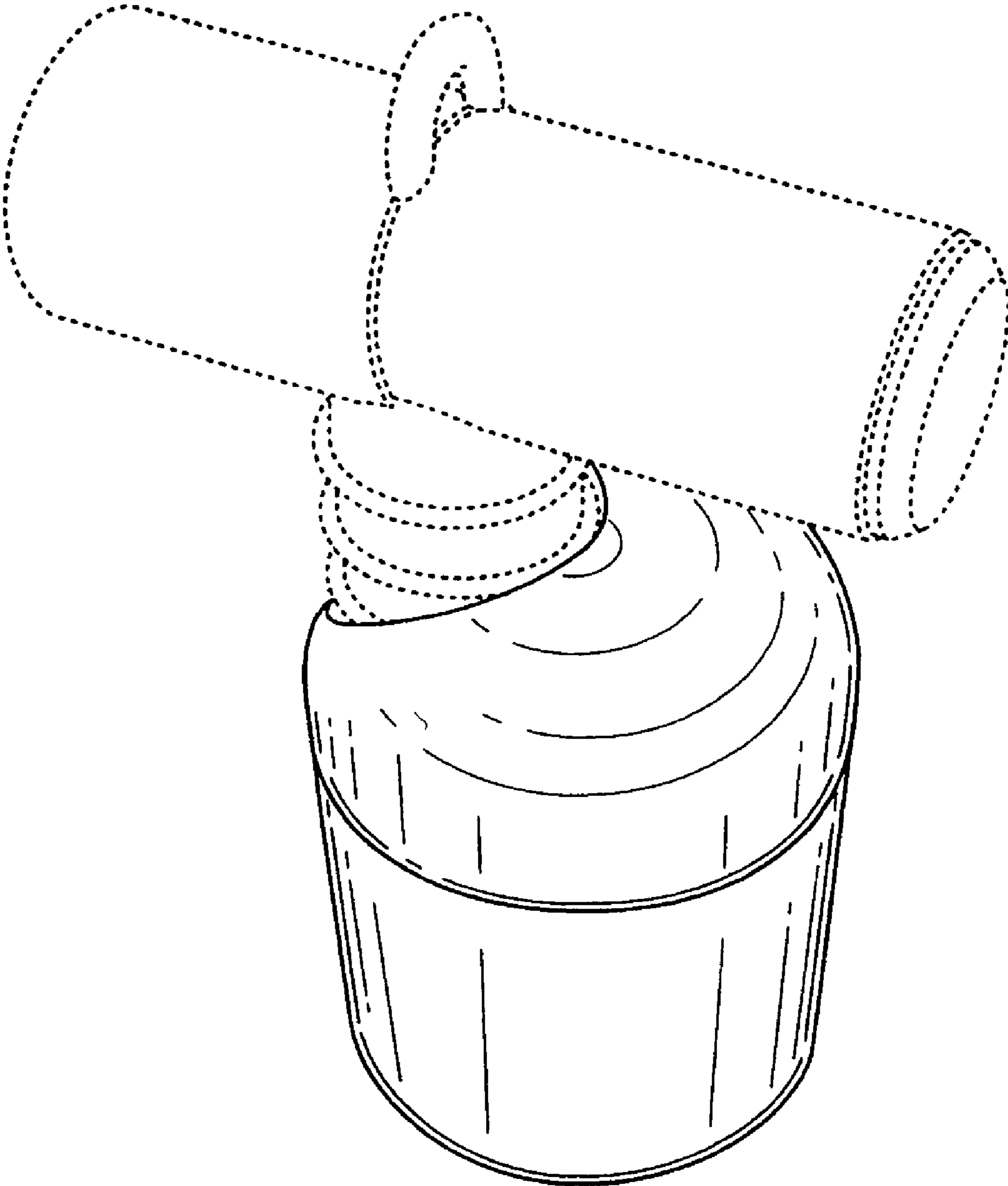


Fig. 1

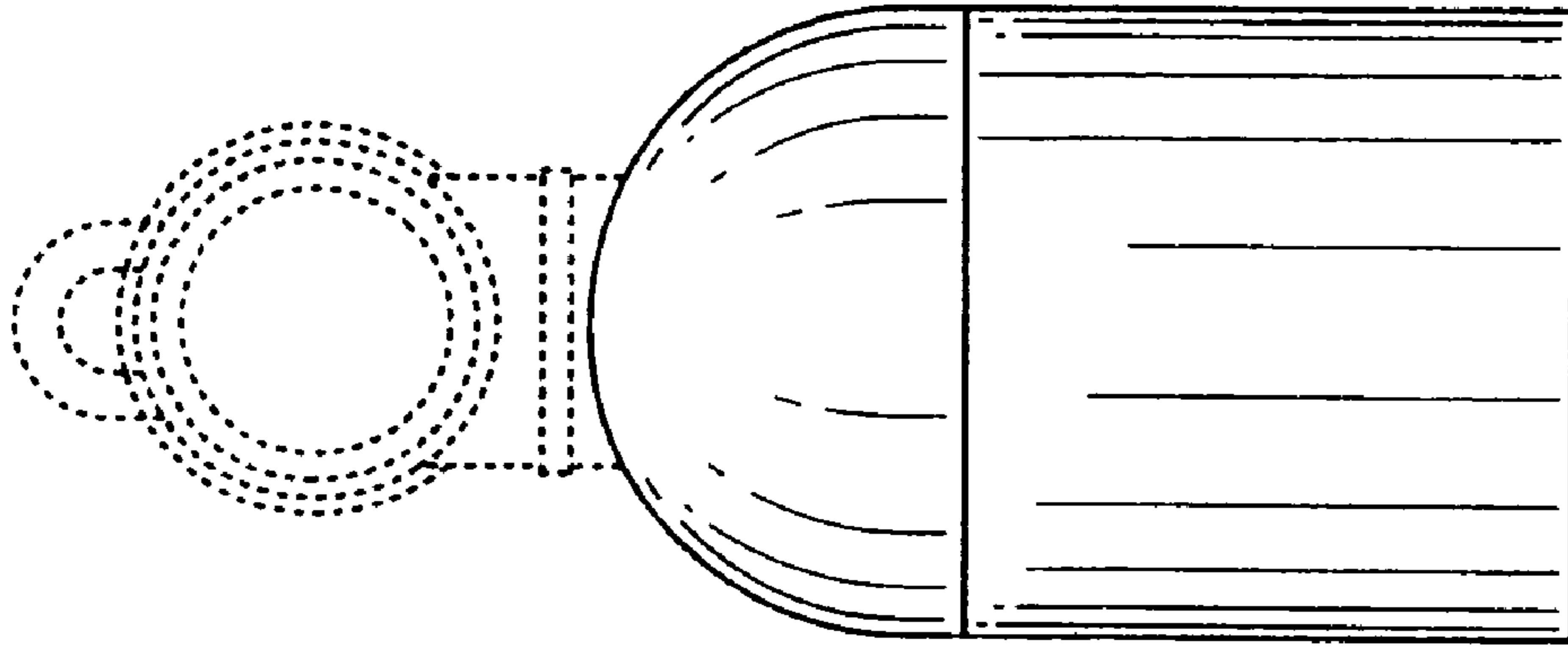


Fig. 3

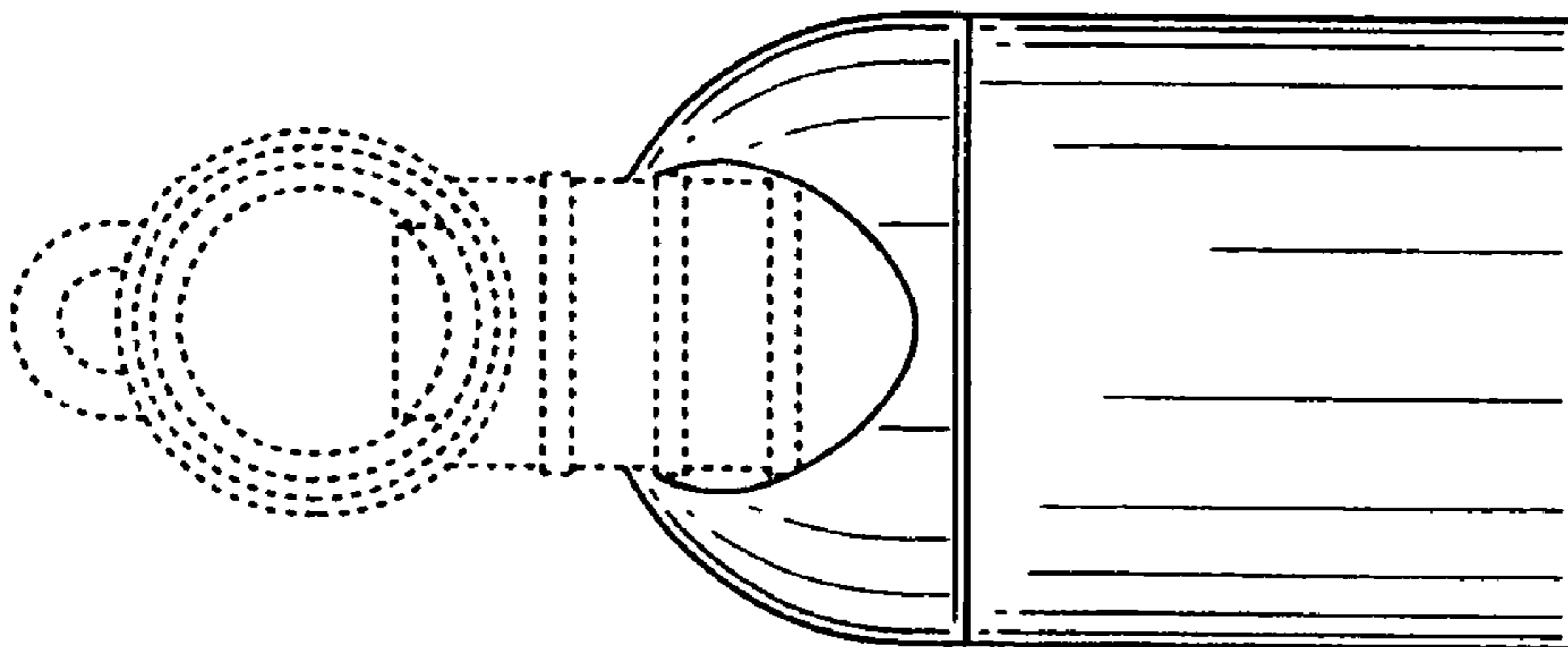


Fig. 2

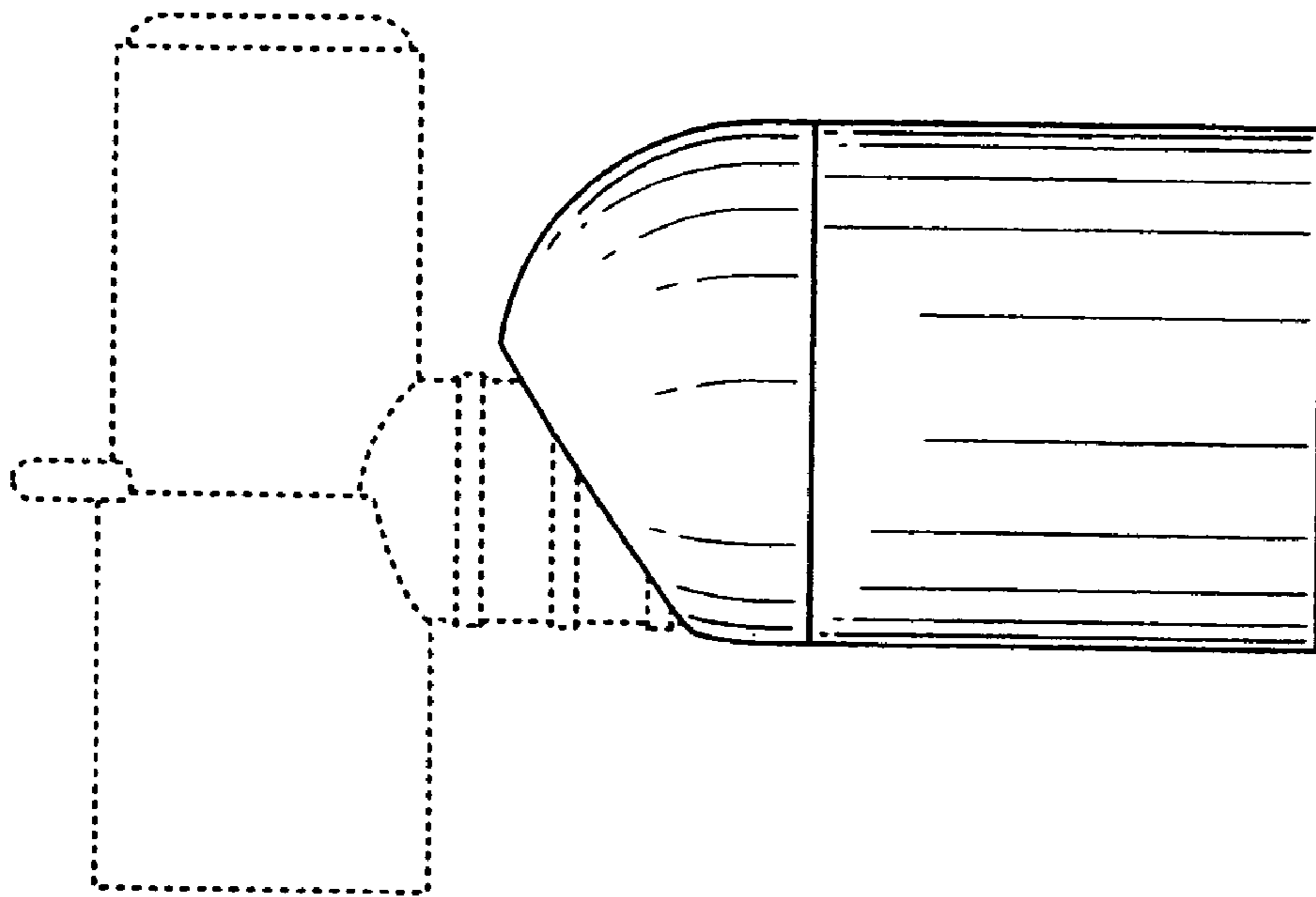


Fig. 4

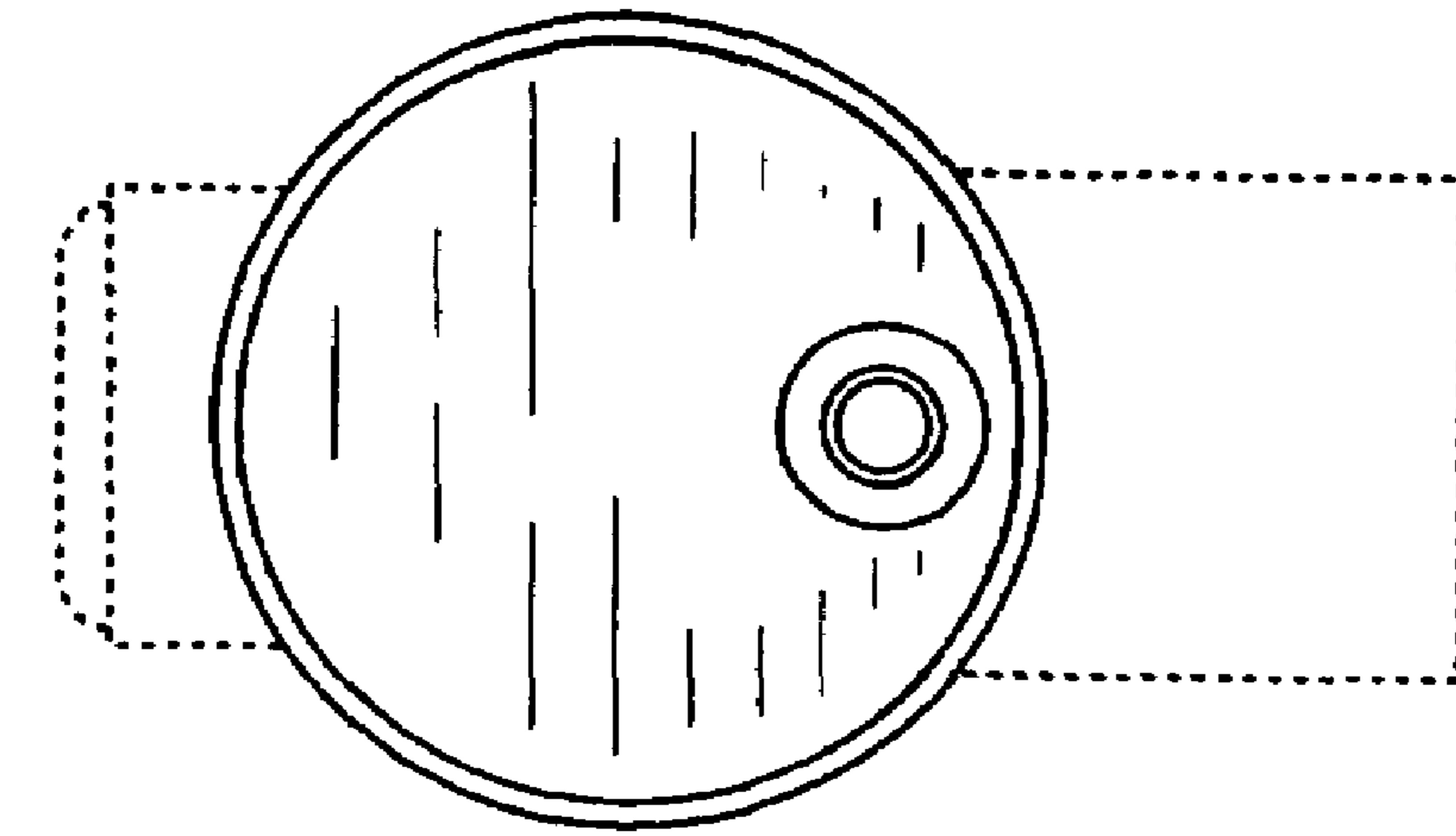


Fig. 5

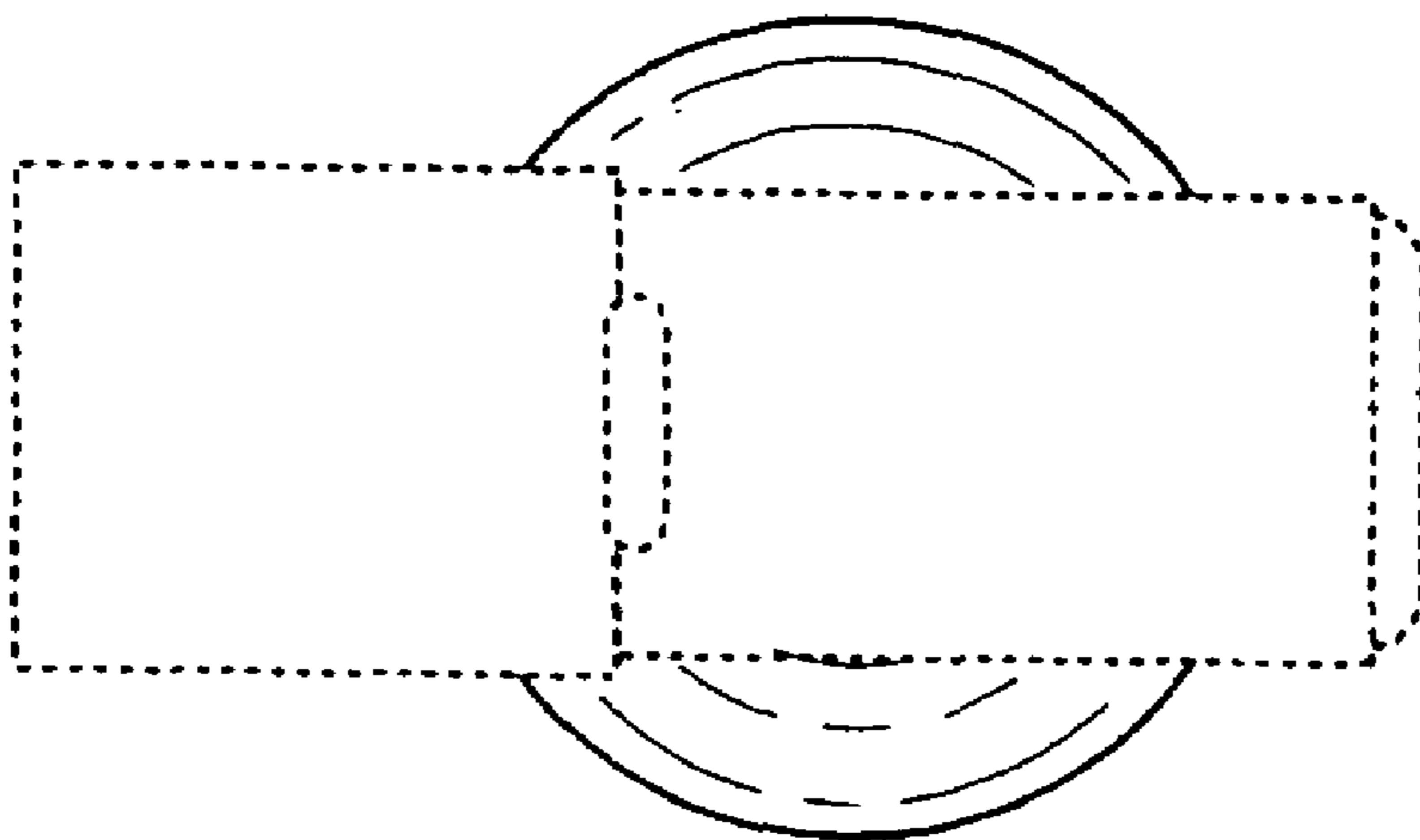


Fig. 6

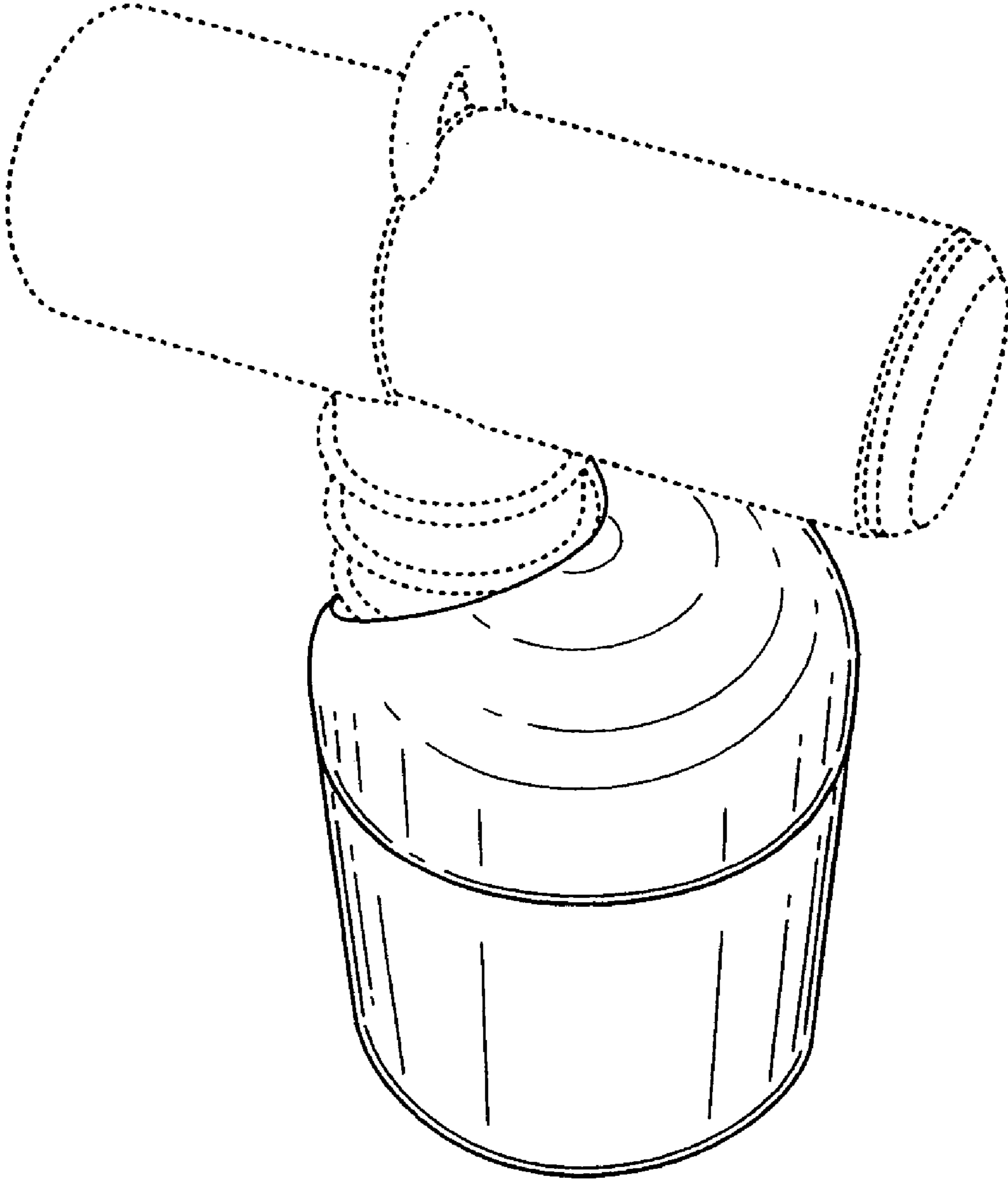


Fig. 7

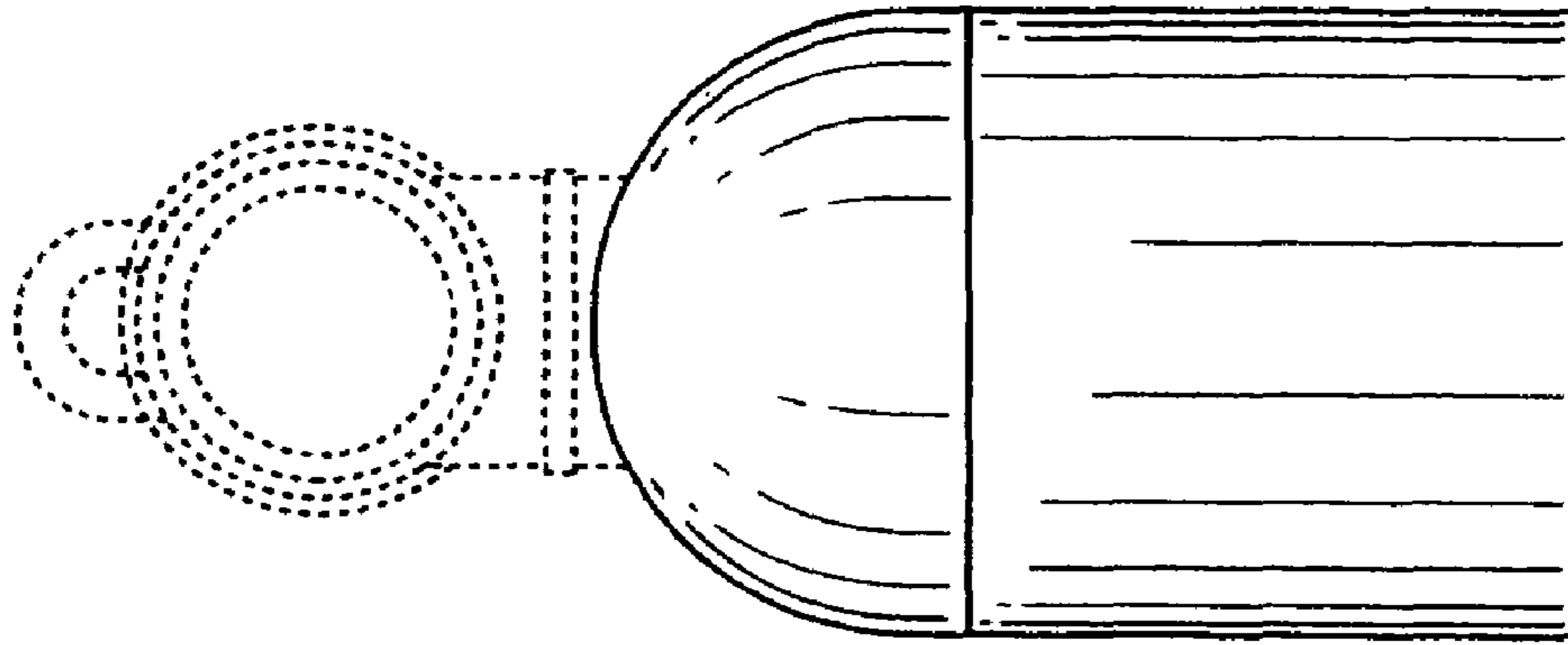


Fig. 9

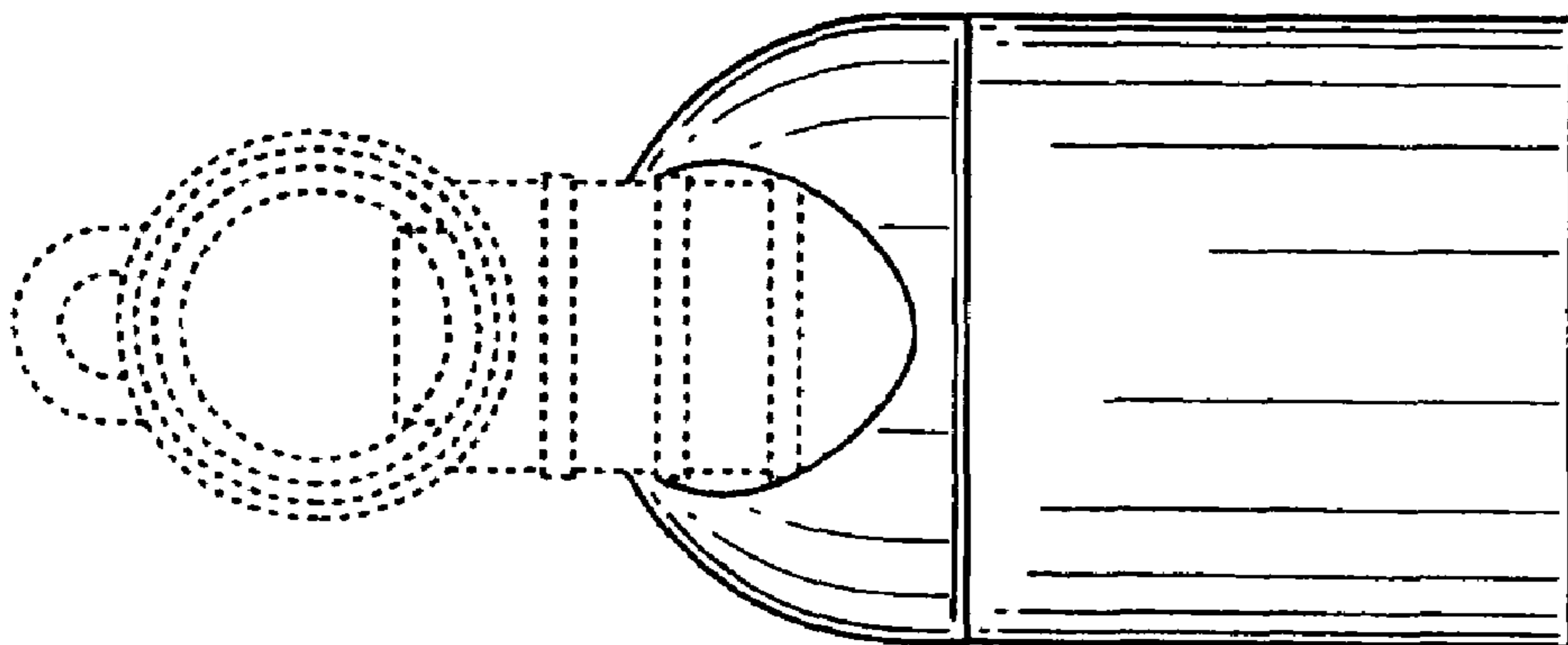


Fig. 8

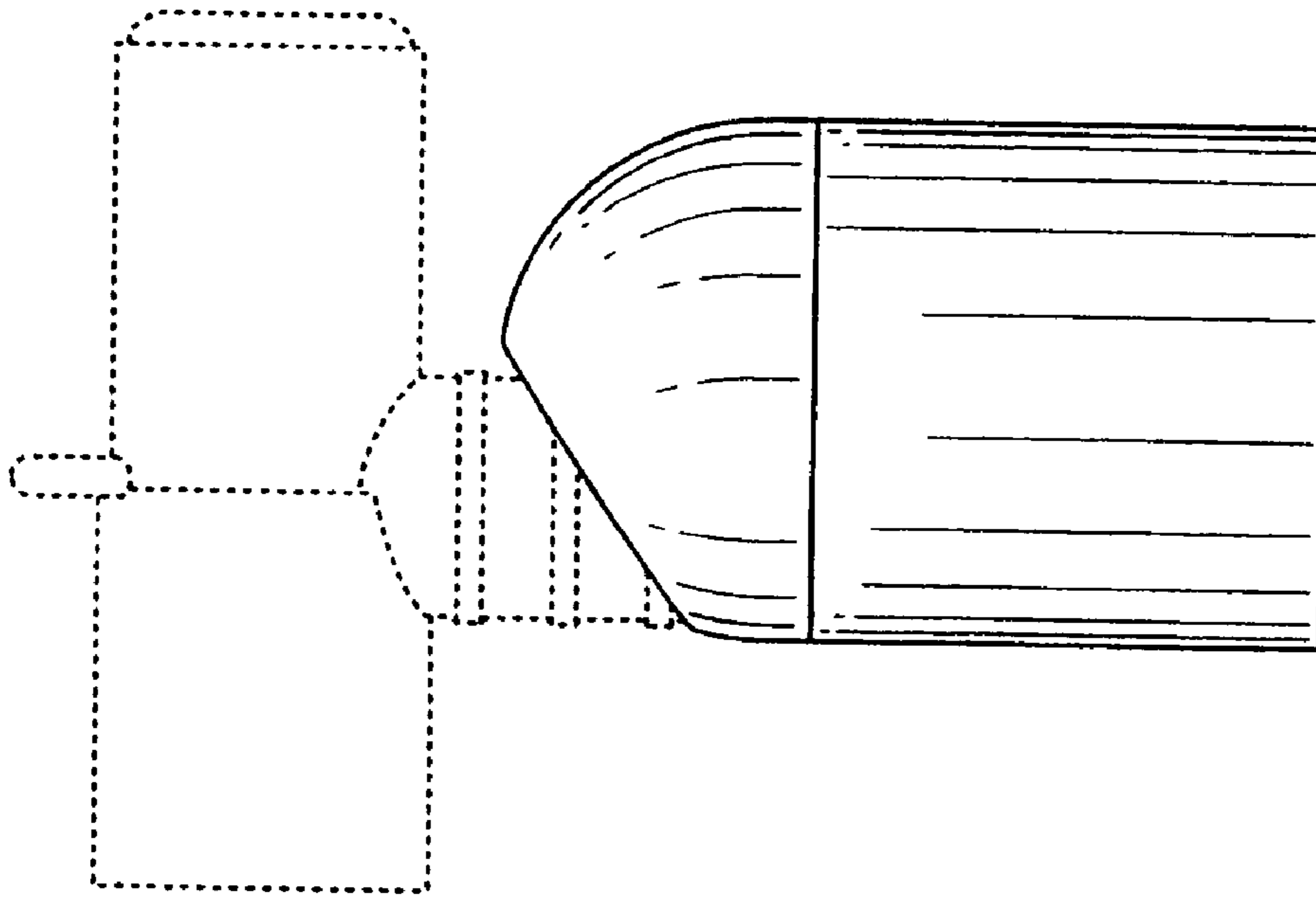


Fig. 10

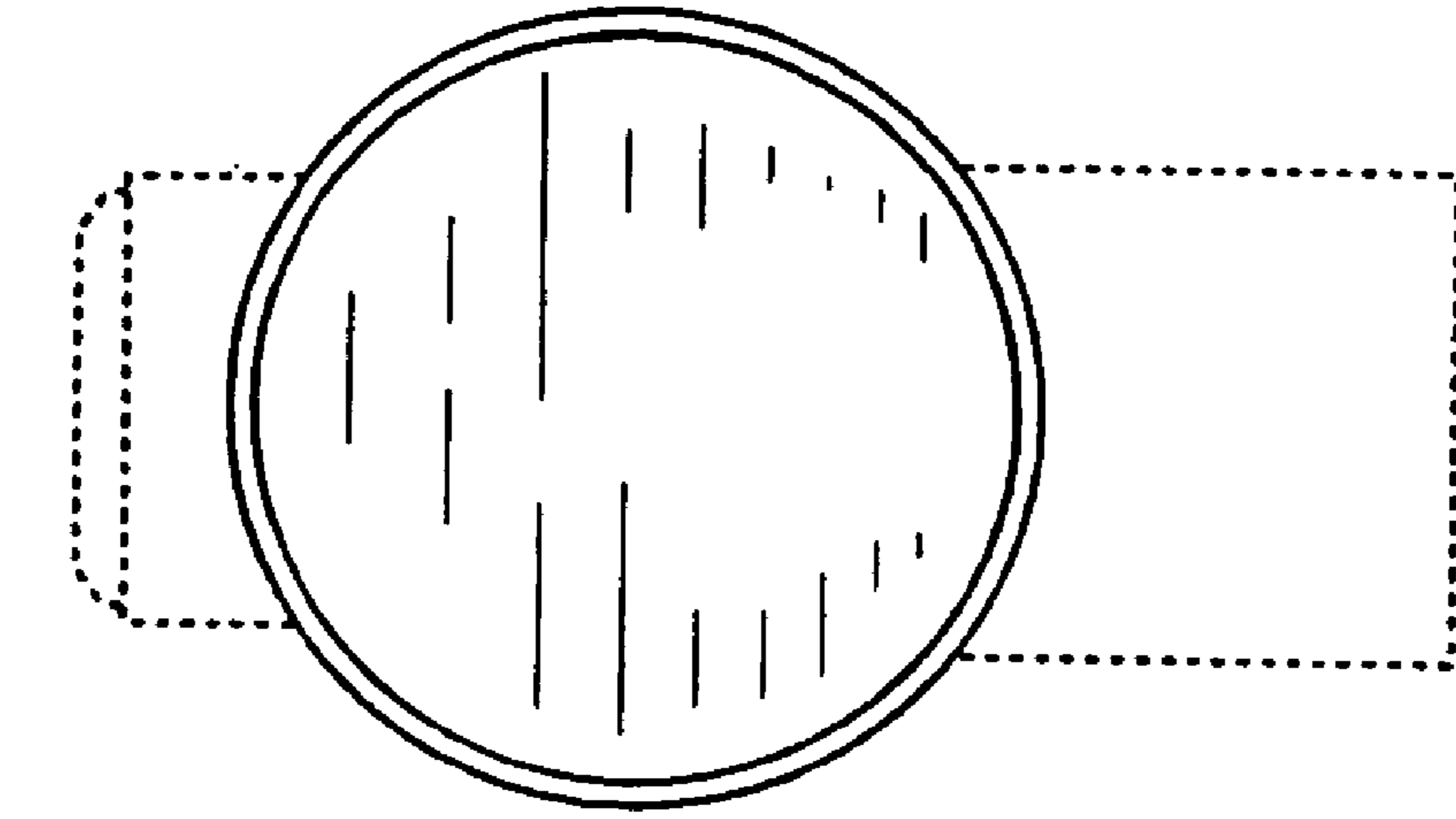


Fig. 11

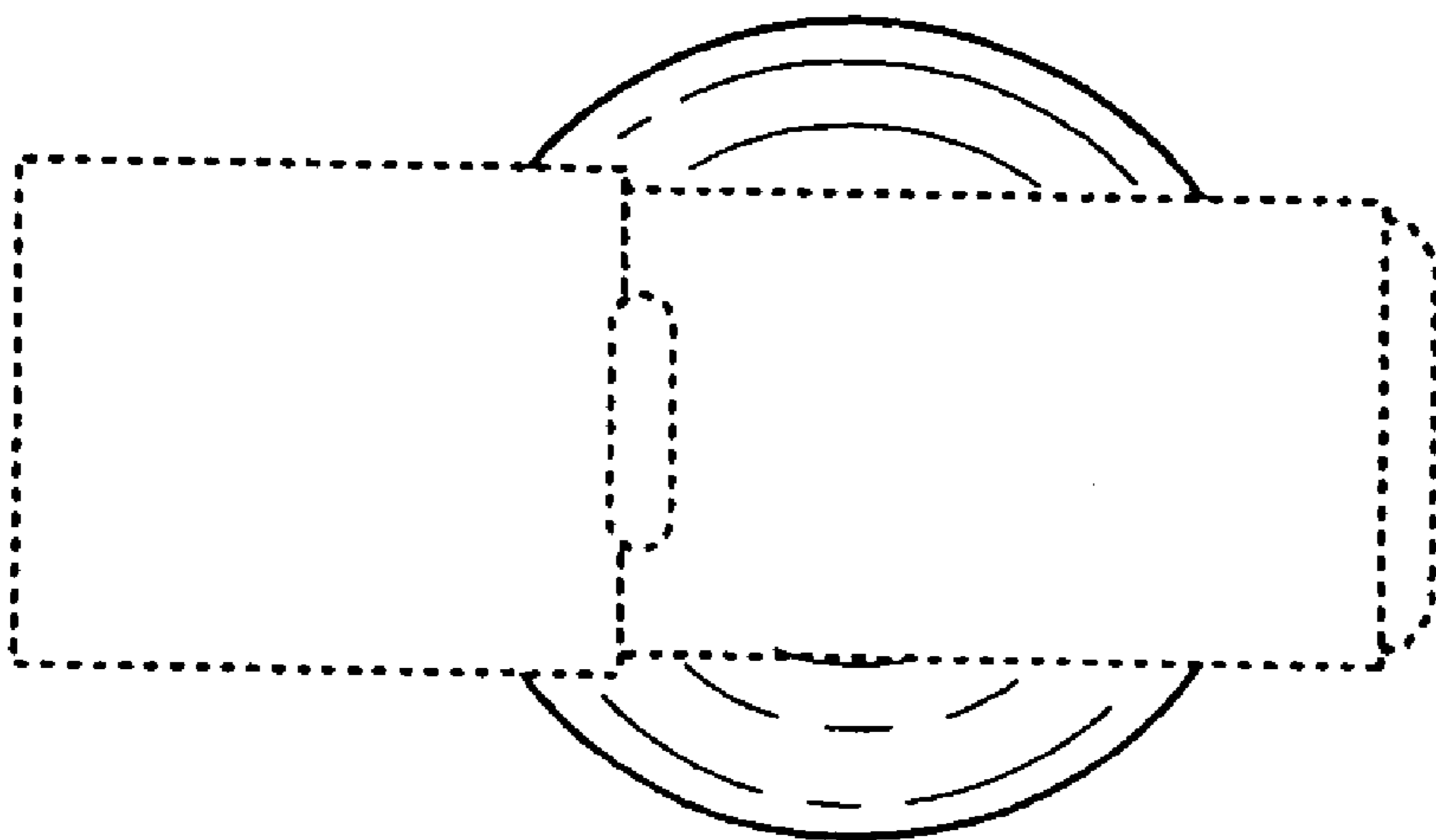


Fig. 12

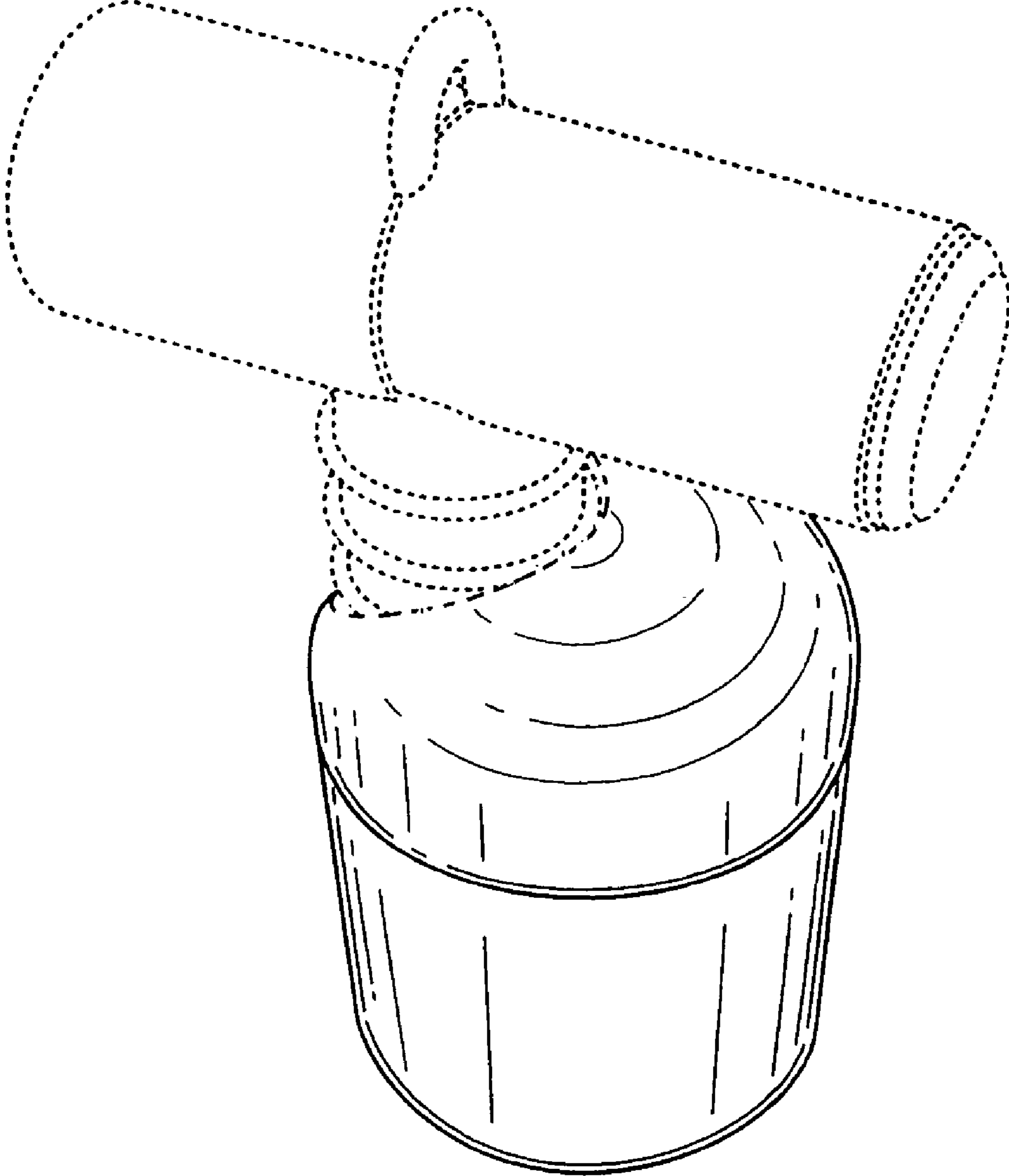


Fig. 13

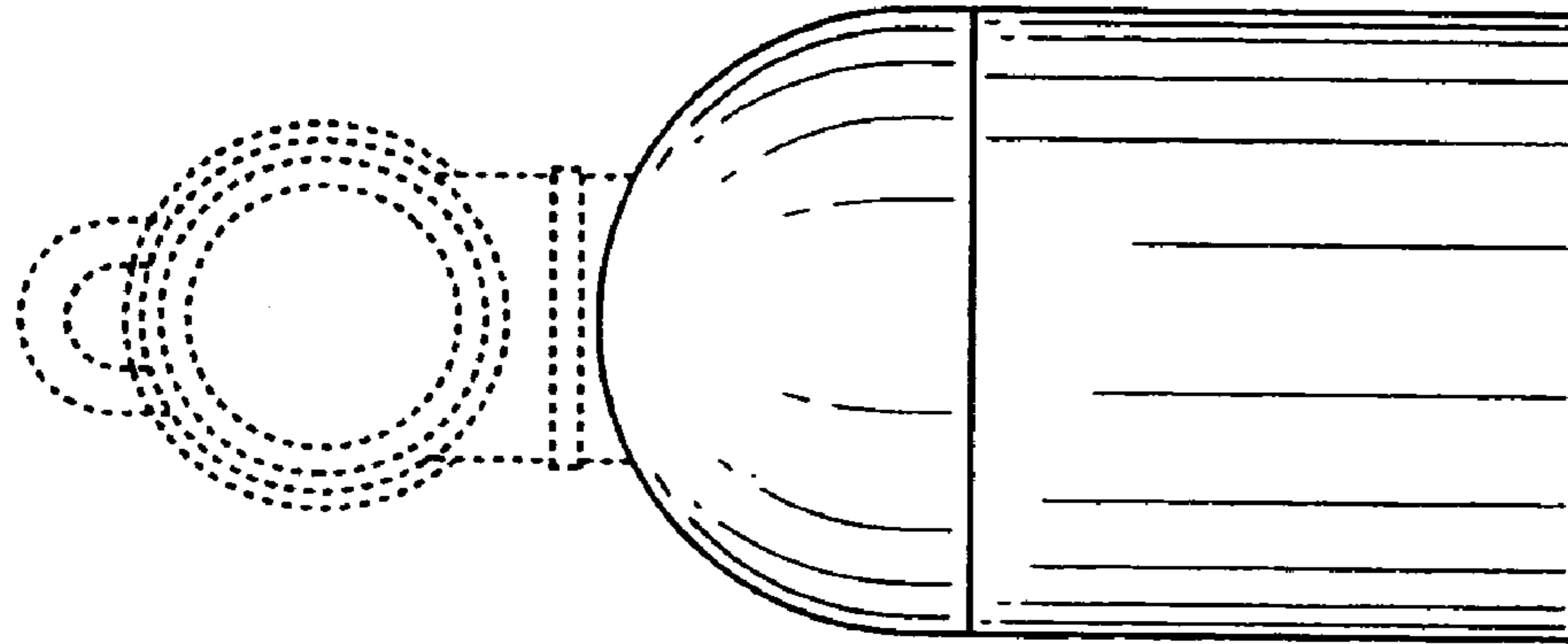


Fig. 14

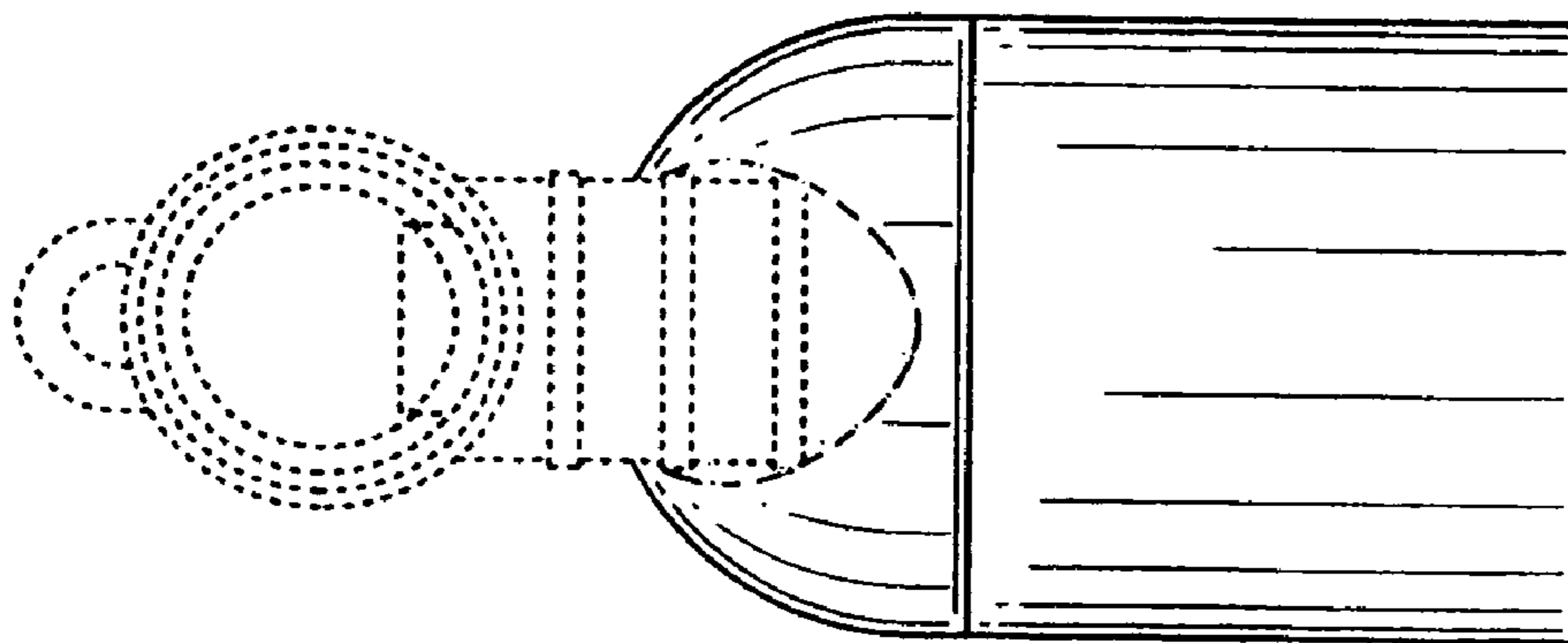


Fig. 15

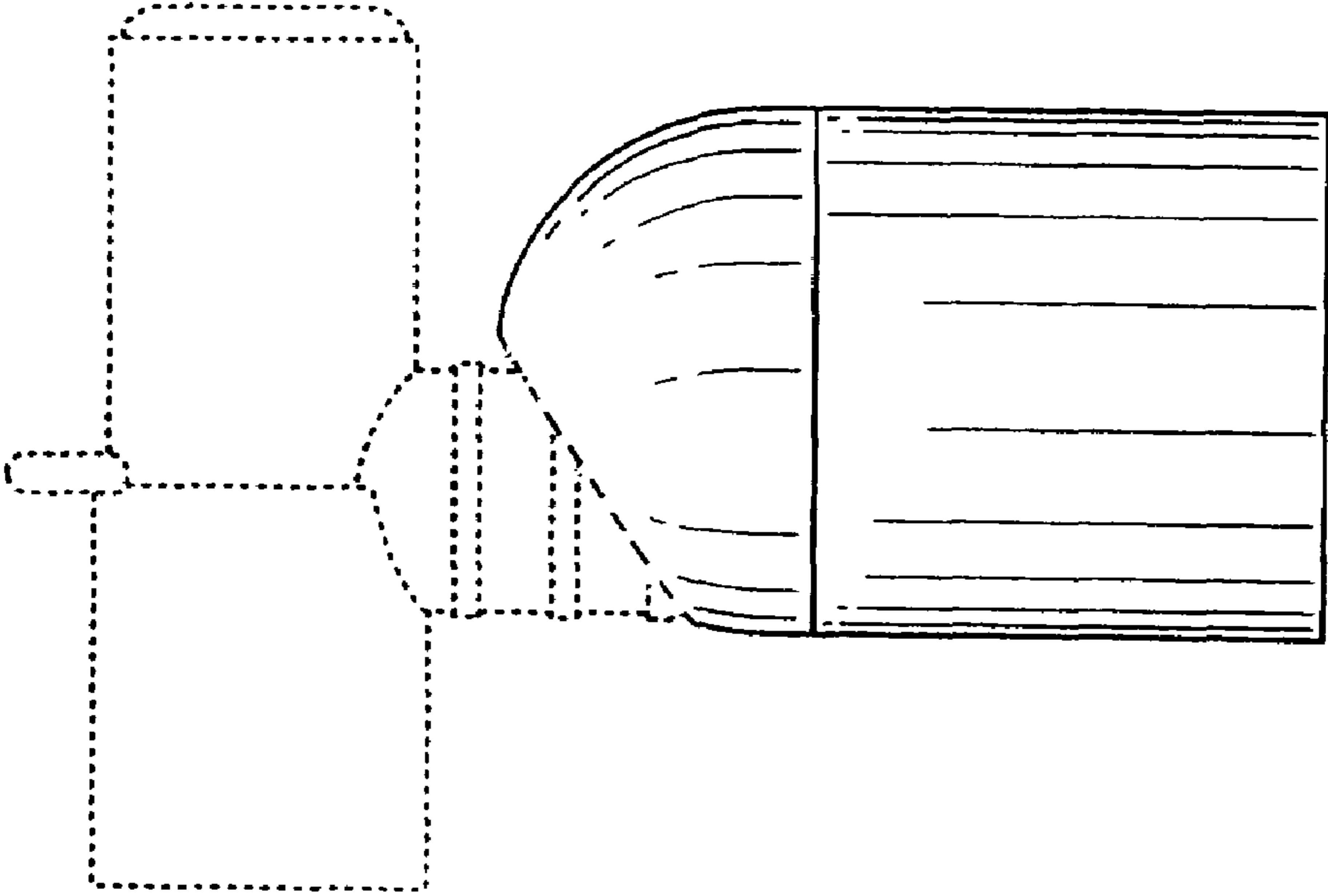


Fig. 16

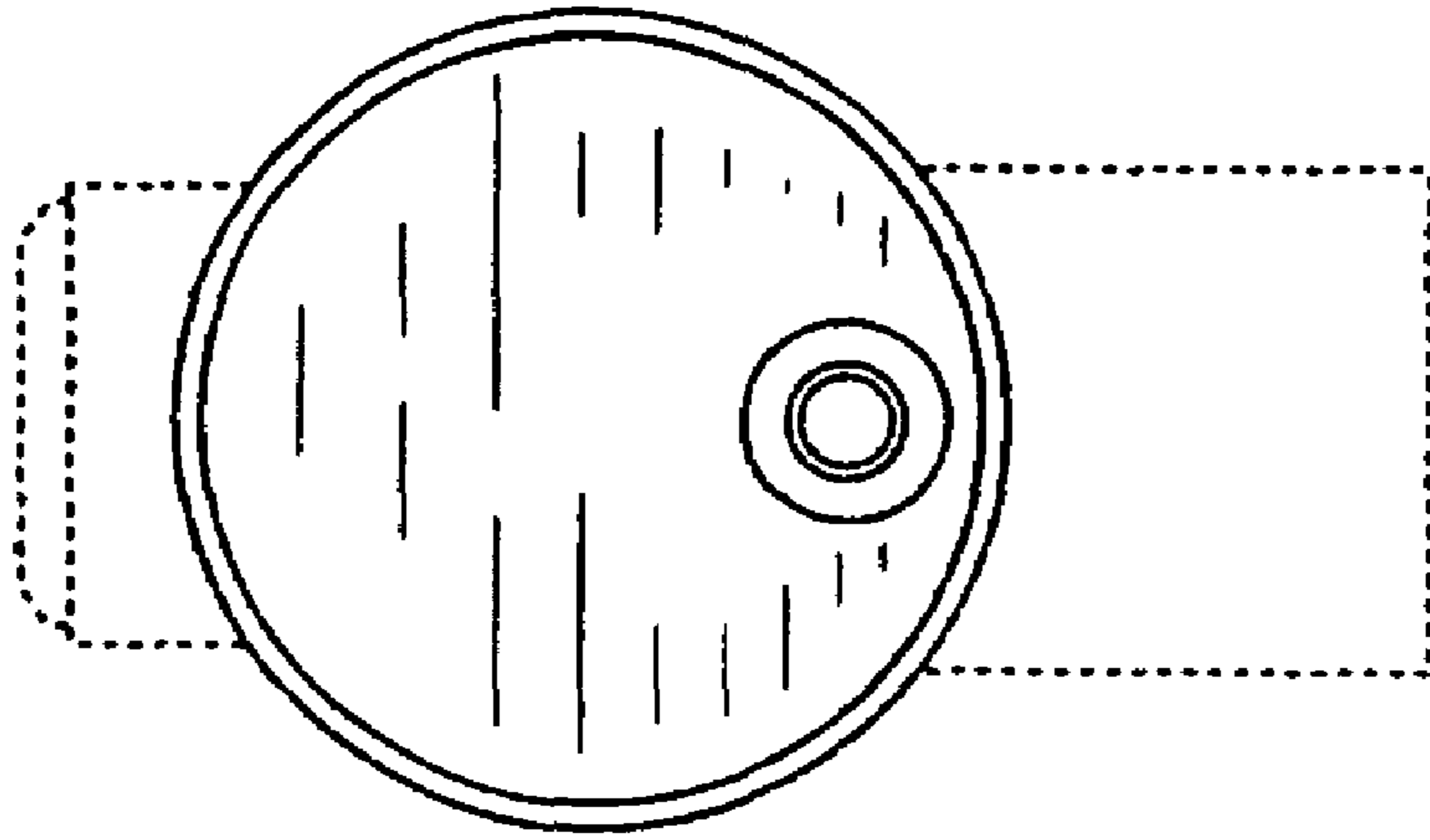


Fig. 18

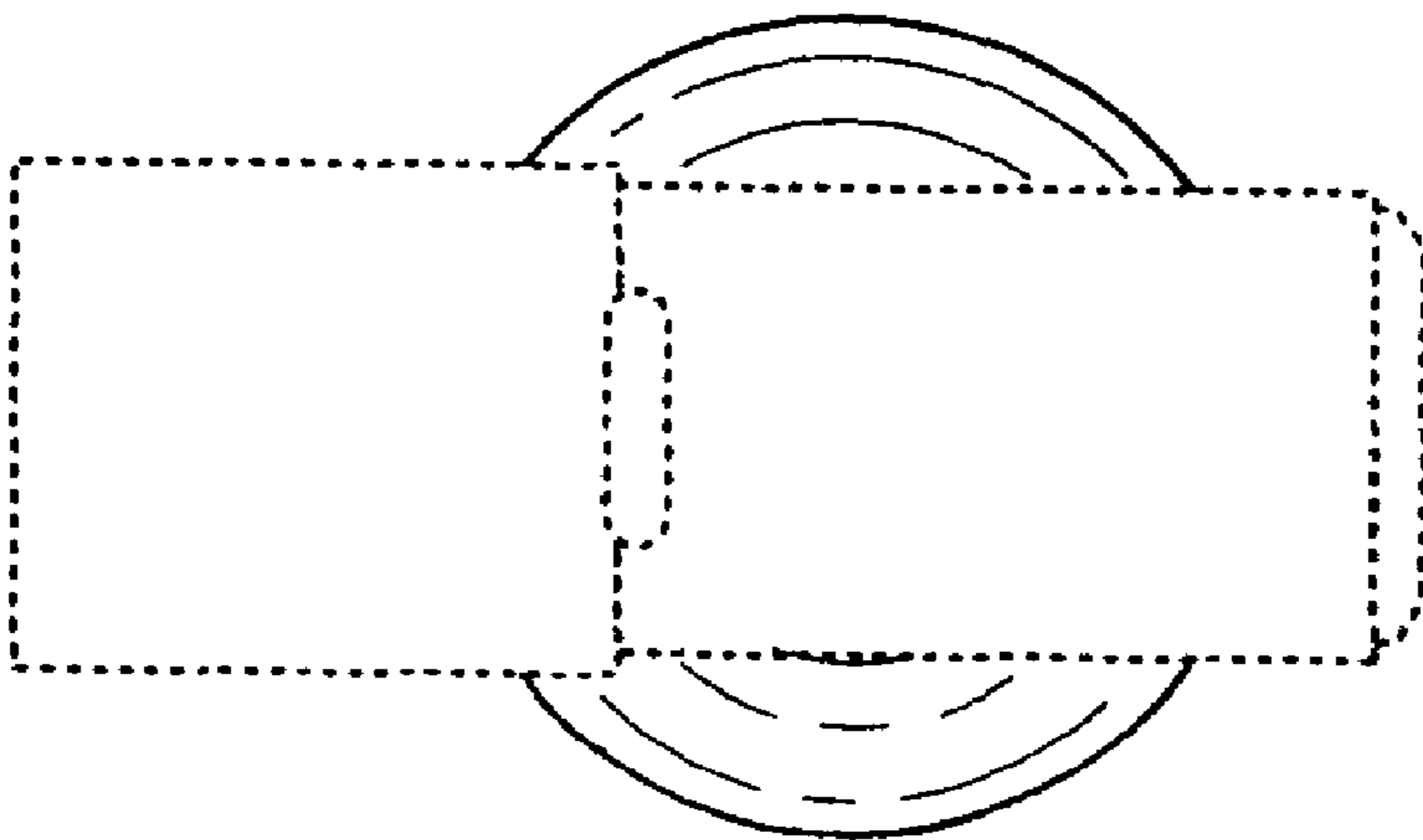


Fig. 17

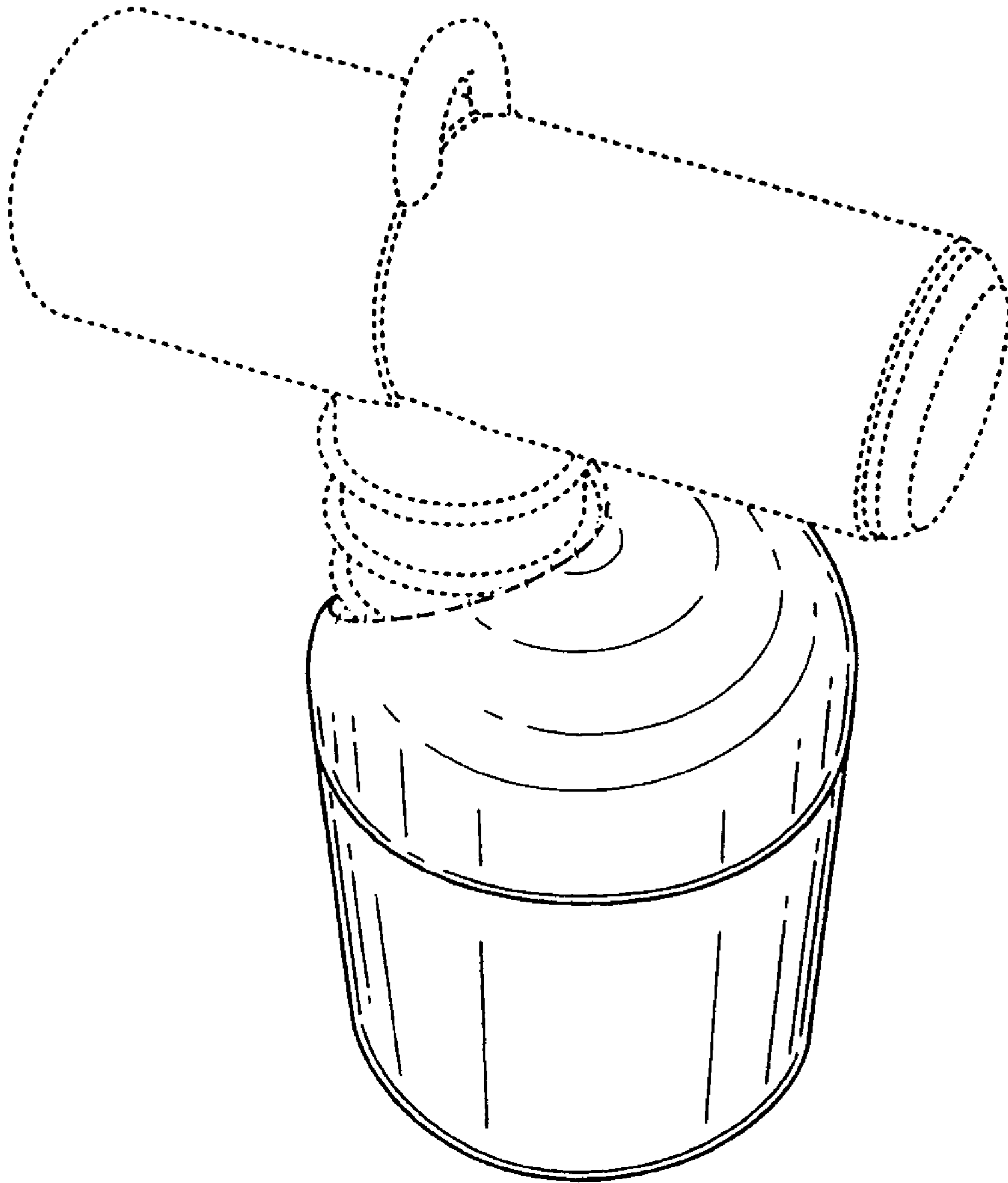


Fig. 19

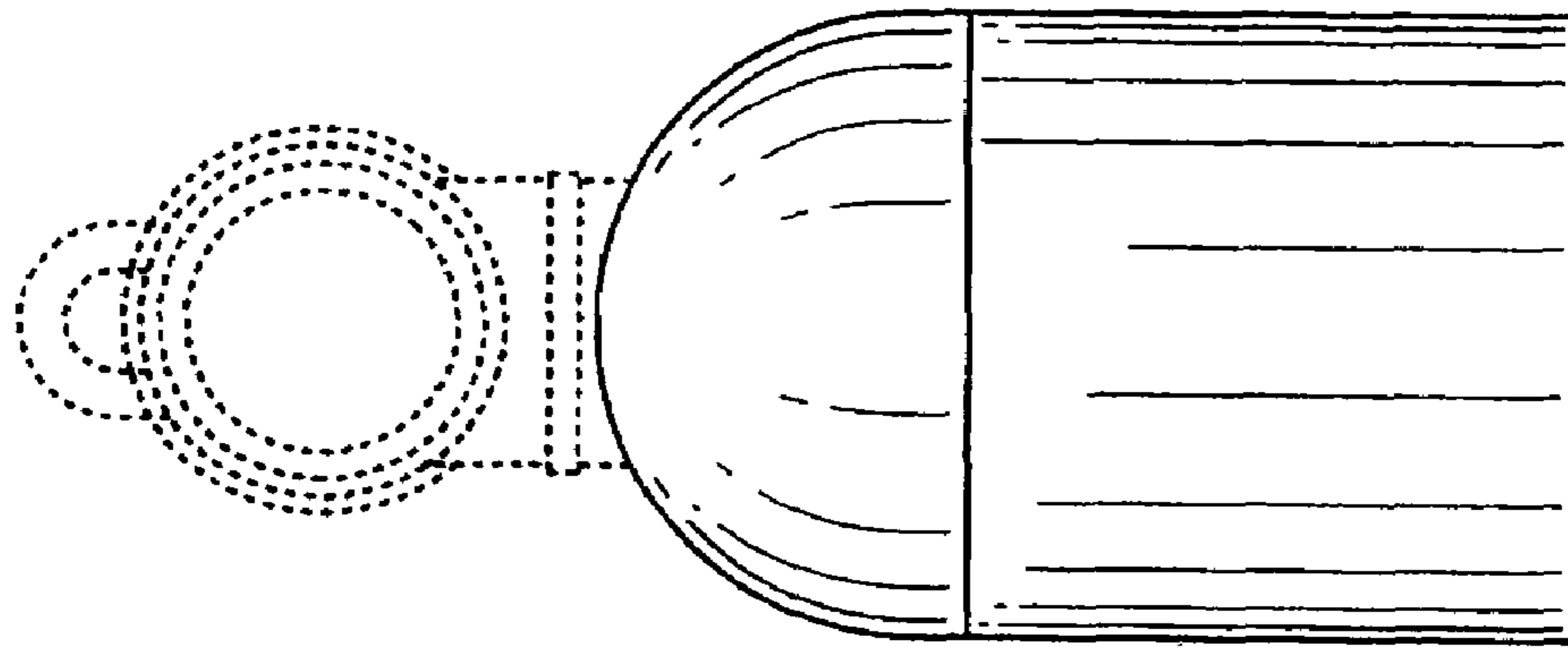


Fig. 21

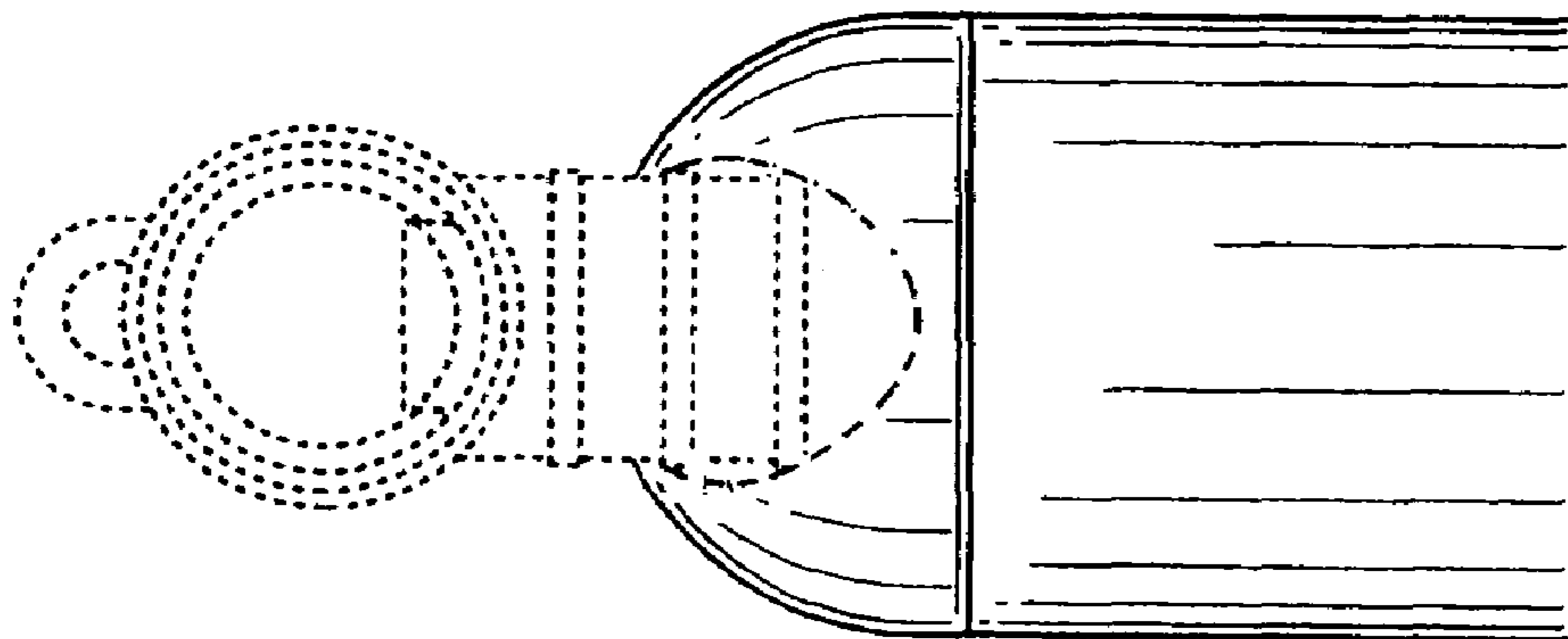


Fig. 20

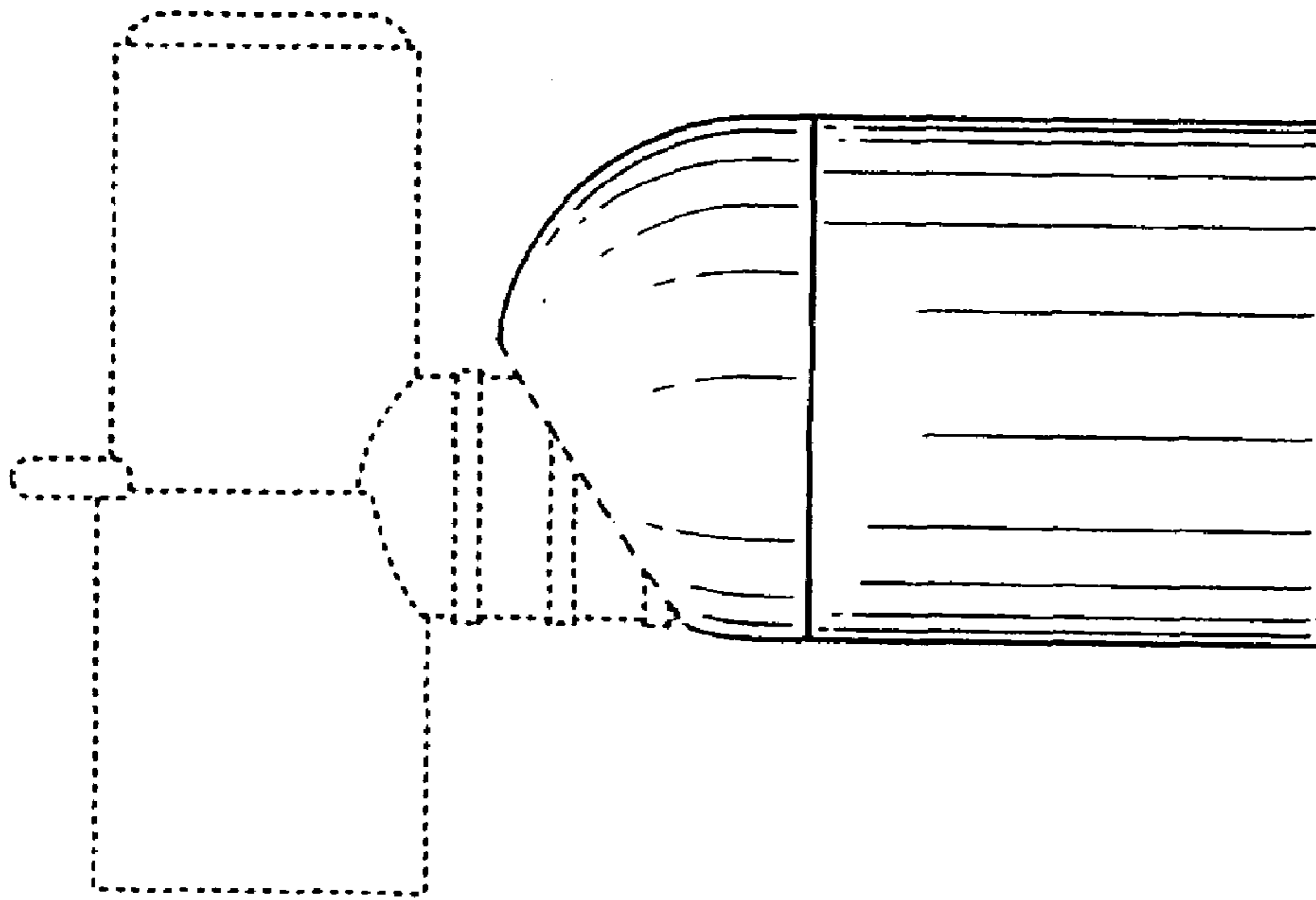


Fig. 22

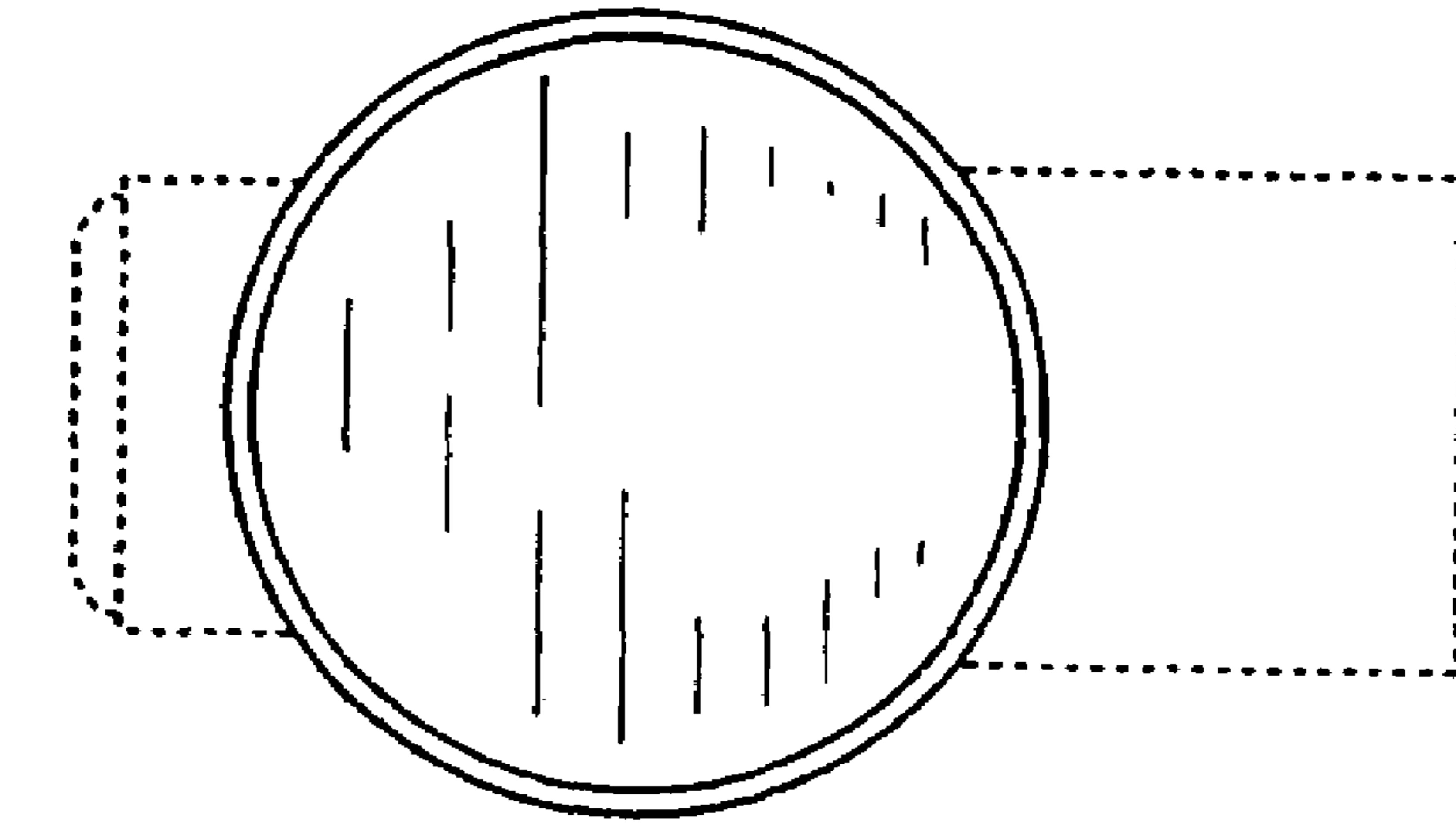


Fig. 24

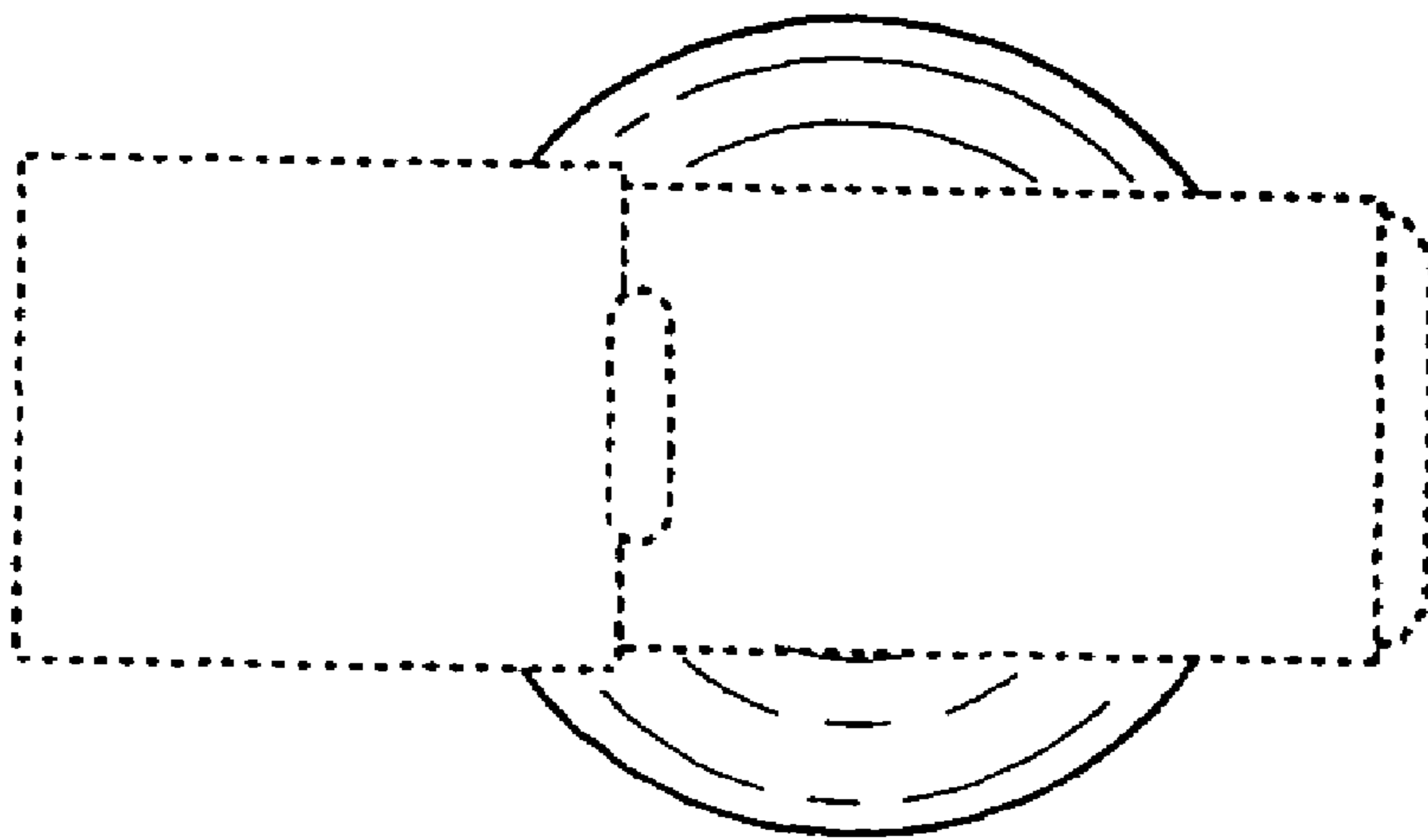


Fig. 23