



US00D559974S

(12) **United States Design Patent**
Cheng

(10) **Patent No.:** **US D559,974 S**

(45) **Date of Patent:** **** Jan. 15, 2008**

(54) **COMPRESSOR FOR A NEBULIZER**

D527,098 S * 8/2006 Cheng D24/110

(75) Inventor: **Ming-Chuan Cheng**, Taichung (TW)

* cited by examiner

(73) Assignee: **Merits Health Products Co., Ltd**,
Taichung (TW)

Primary Examiner—Ian Simmons

Assistant Examiner—Christopher Lee

(74) *Attorney, Agent, or Firm*—Posz Law Group, PLC

(**) Term: **14 Years**

(57) **CLAIM**

(21) Appl. No.: **29/252,586**

The ornamental design for a compressor for a nebulizer, as shown.

(22) Filed: **Jan. 26, 2006**

(51) **LOC (8) Cl.** **29-02**

(52) **U.S. Cl.** **D24/110**

(58) **Field of Classification Search** D24/110,
D24/111; D15/7, 8, 9; 417/234, 235, 360;
128/200.14, 200.16, 200.18, 200.21, 200.12
See application file for complete search history.

DESCRIPTION

FIG. 1 is a perspective view of a compressor for a nebulizer, showing my new design;

FIG. 2 is a front view thereof;

FIG. 3 is a rear view thereof;

FIG. 4 is a left side view thereof;

FIG. 5 is a right side view thereof;

FIG. 6 is a top view thereof; and,

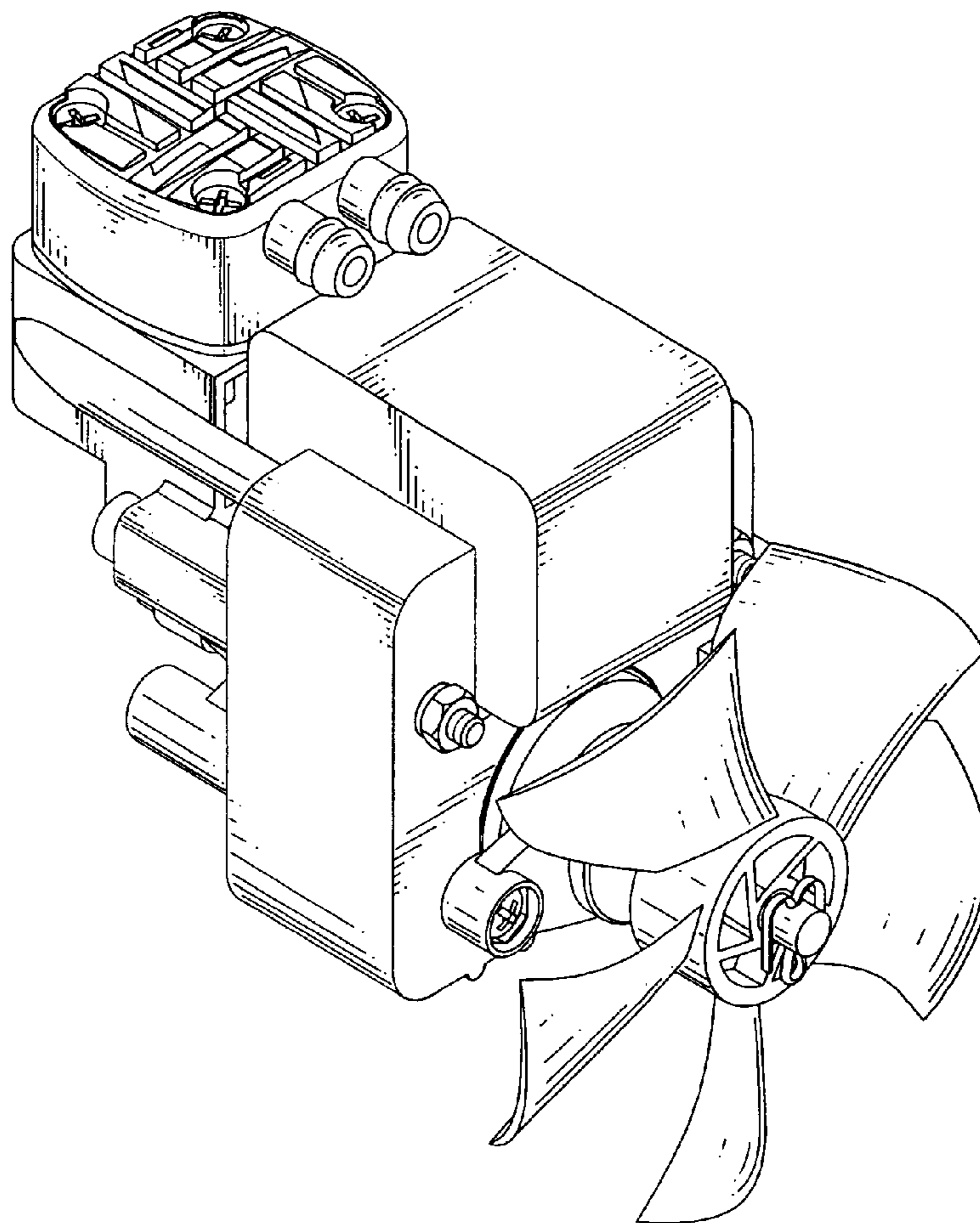
FIG. 7 is a bottom view thereof.

(56) **References Cited**

U.S. PATENT DOCUMENTS

D438,875 S *	3/2001	Rozek	D15/7
D488,820 S *	4/2004	Rozek	D15/7
D516,093 S *	2/2006	Hsiao	D15/9

1 Claim, 7 Drawing Sheets



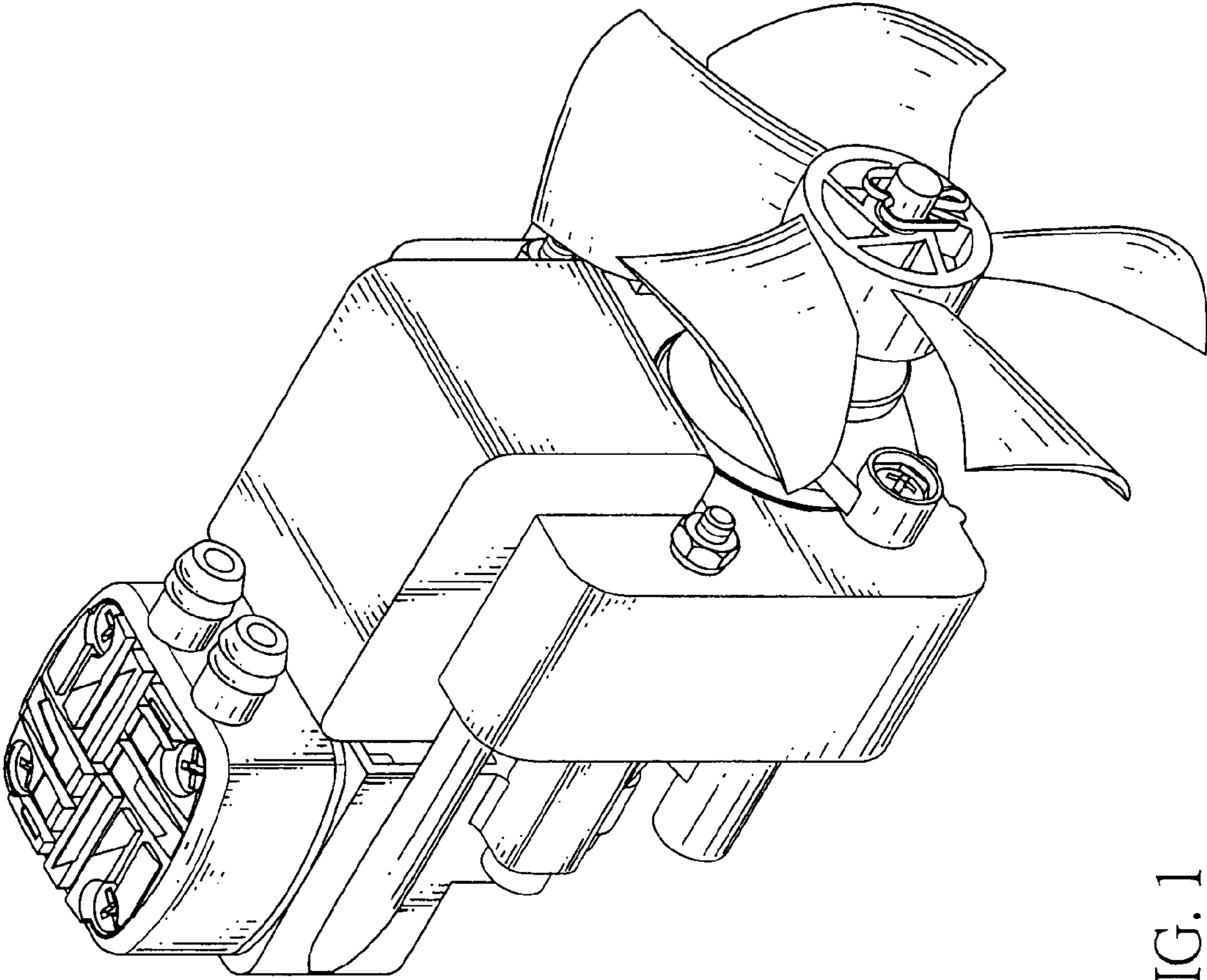


FIG. 1

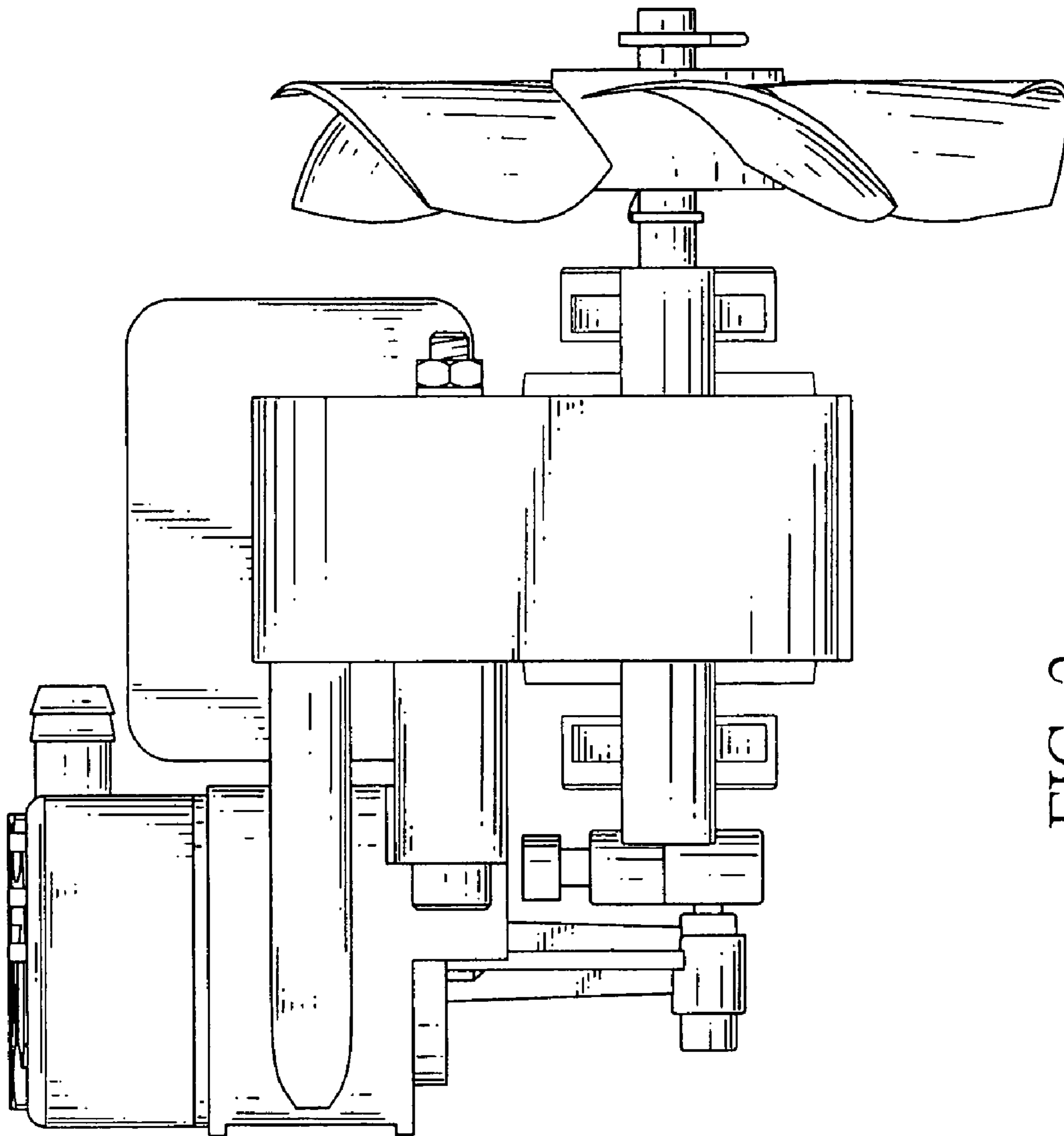


FIG. 2

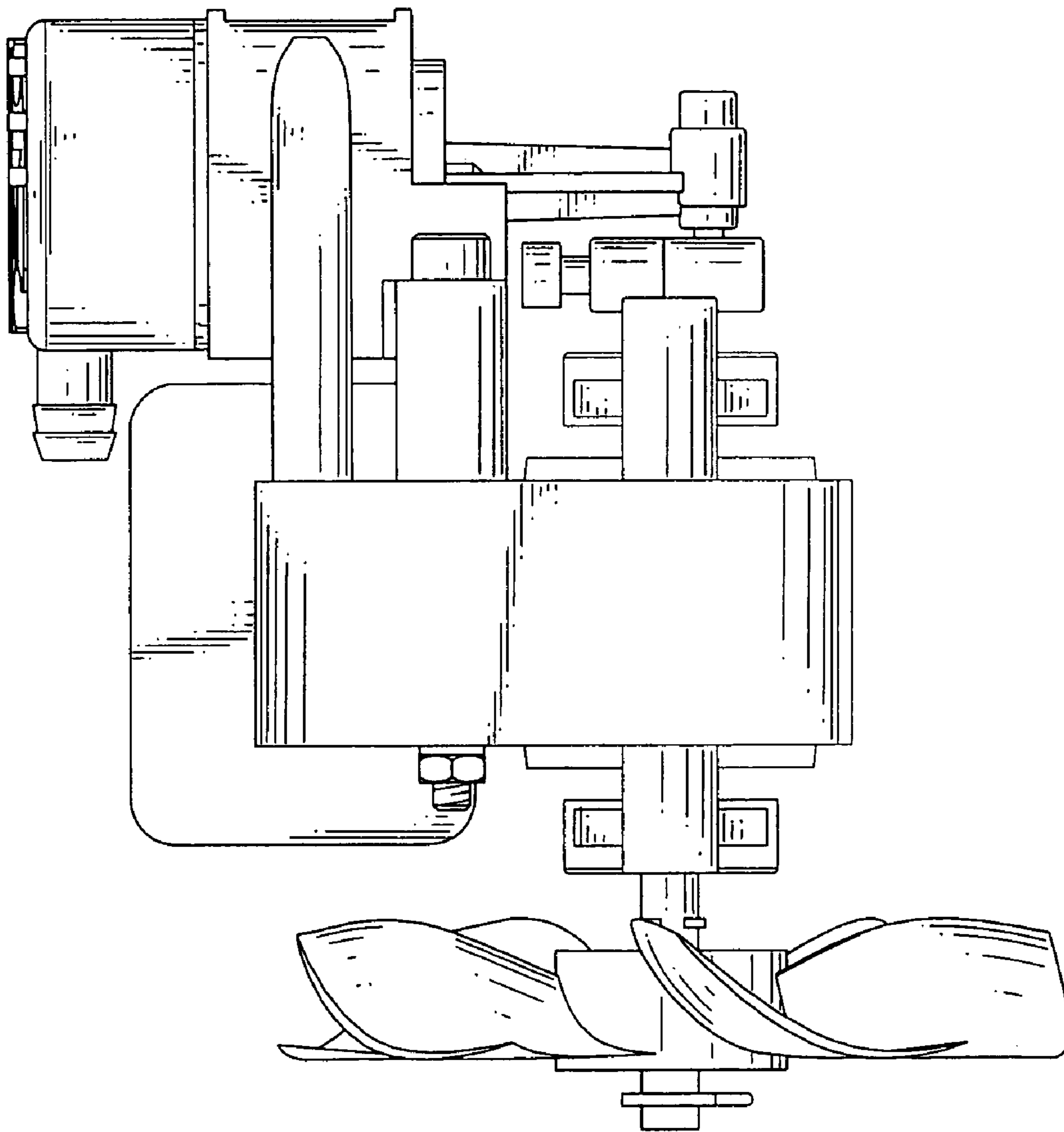


FIG. 3

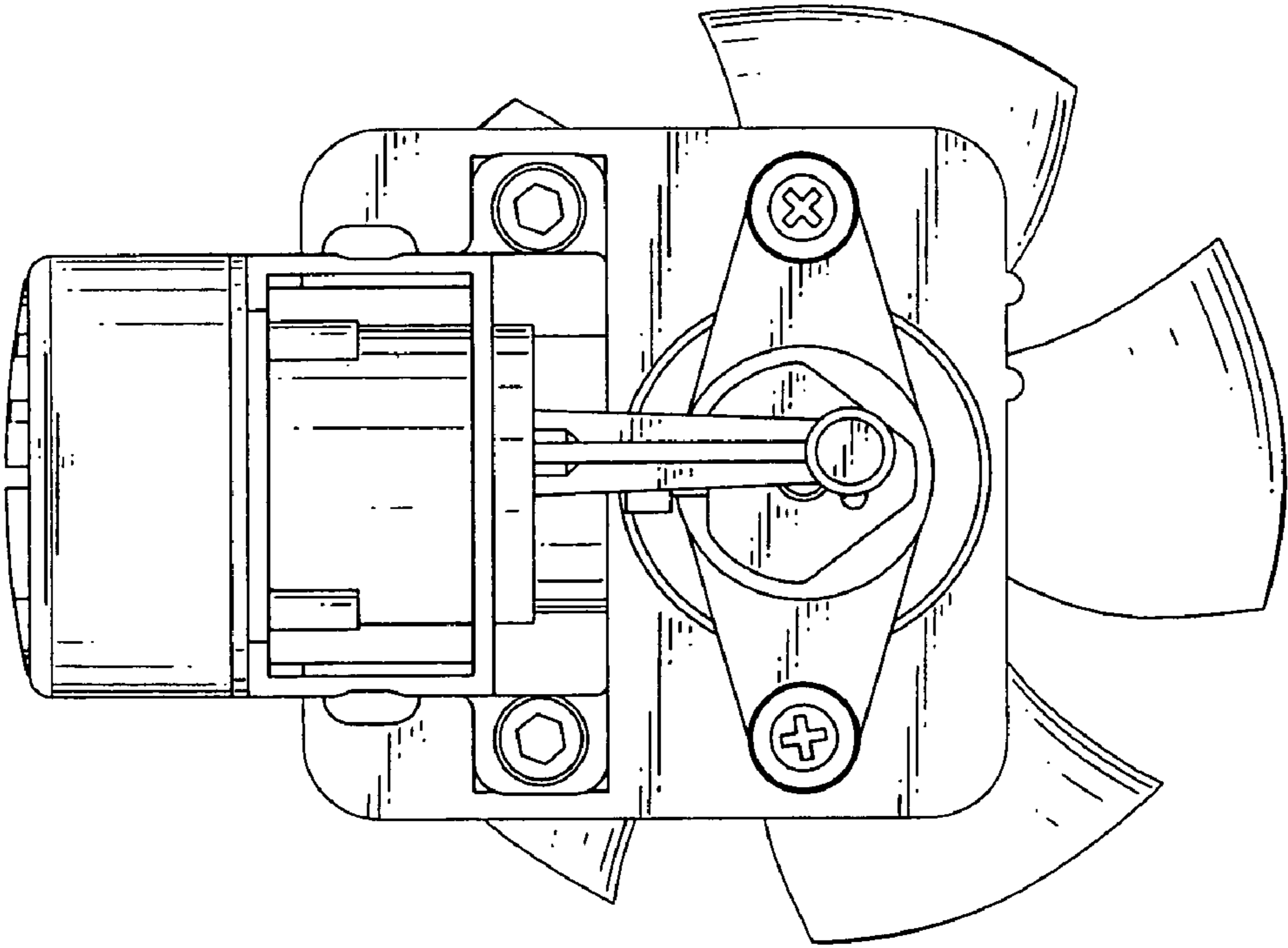


FIG. 4

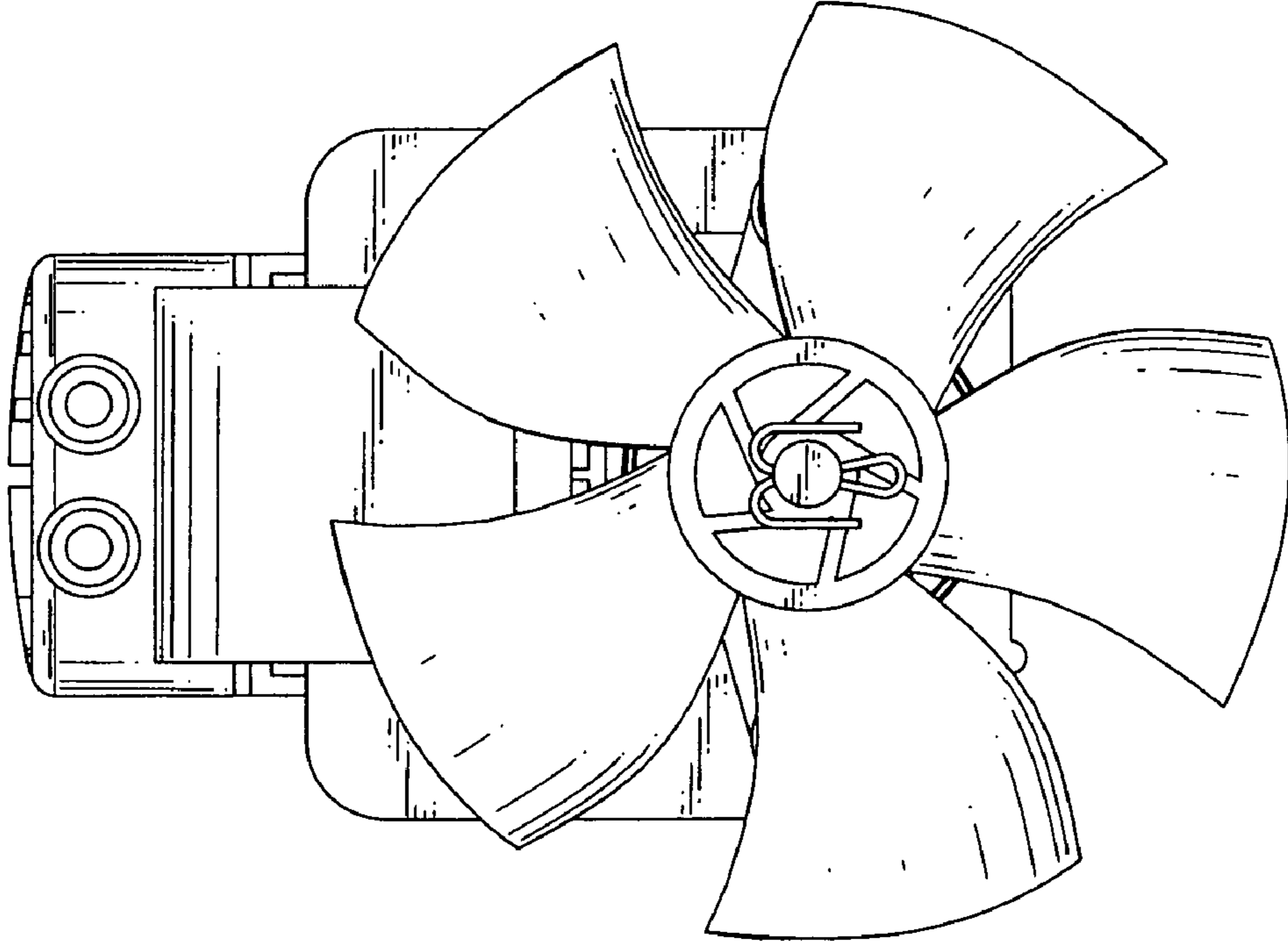


FIG. 5

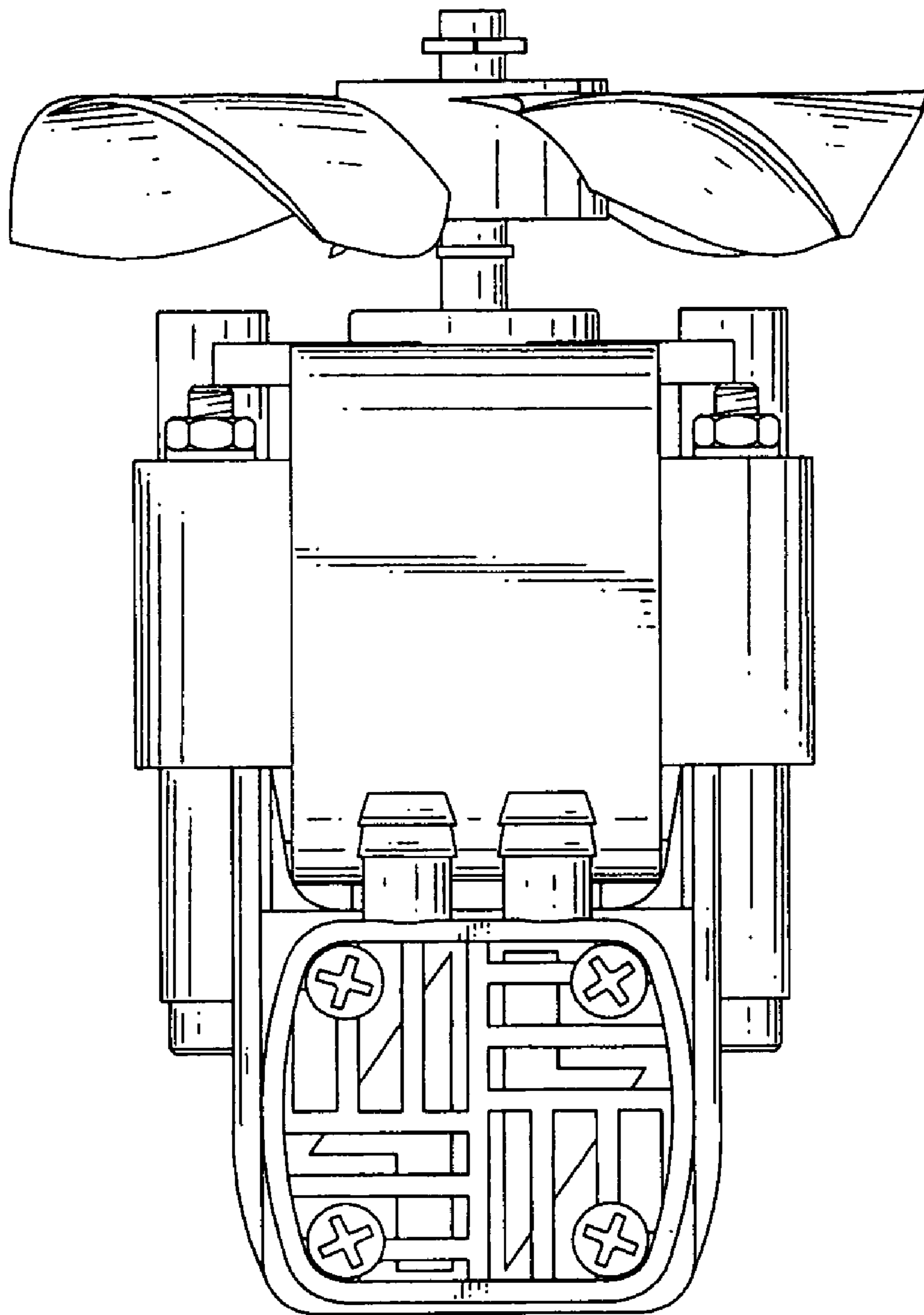


FIG. 6

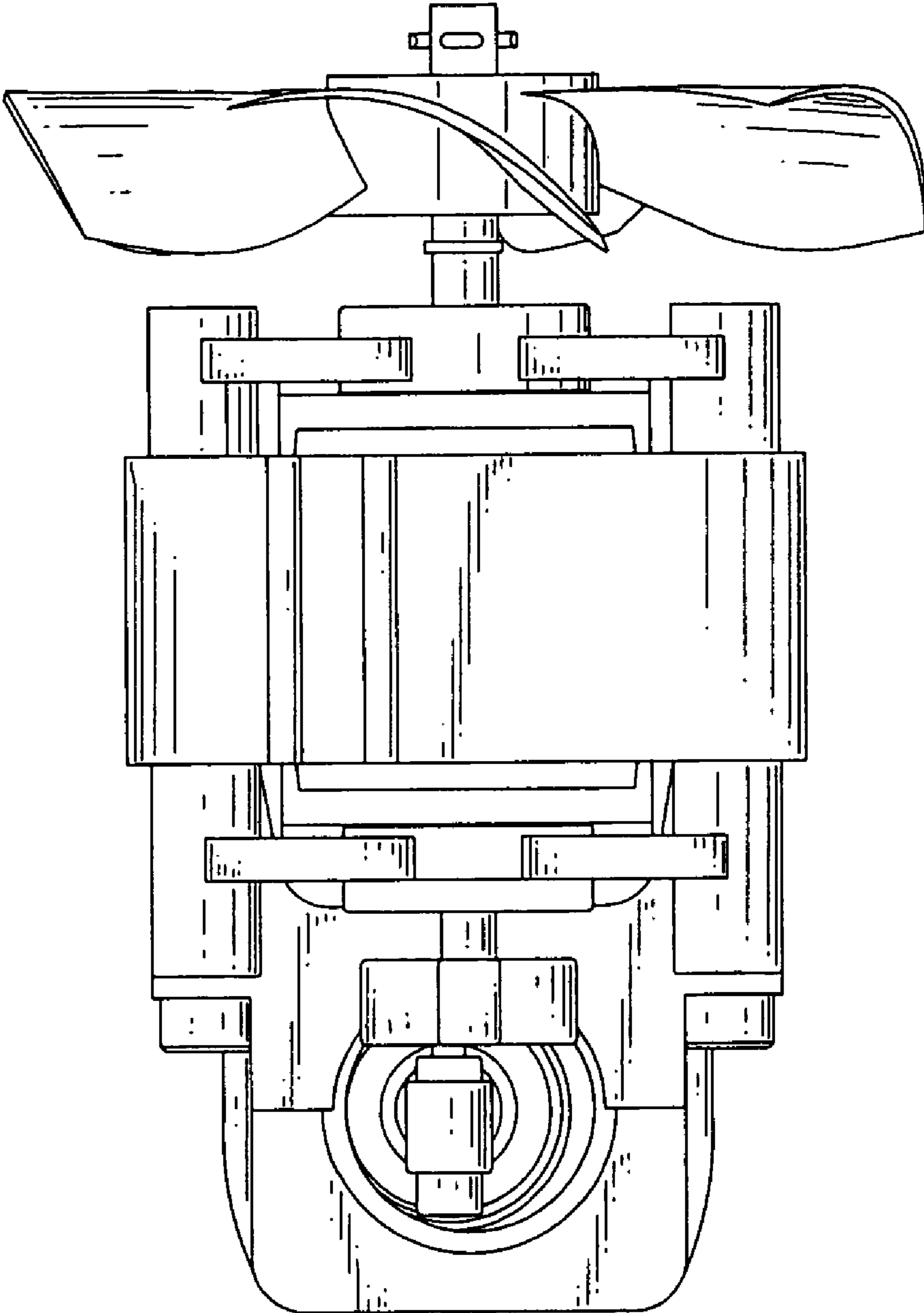


FIG. 7