



US00D559970S

(12) **United States Design Patent**  
**Frampton et al.**

(10) **Patent No.:** **US D559,970 S**

(45) **Date of Patent:** **\*\* Jan. 15, 2008**

(54) **FAN BLADE HOLDER**

D524,931 S 7/2006 Wang  
D525,355 S 7/2006 Hidalgo  
D525,700 S 7/2006 Ertze

(75) Inventors: **Tania N. Frampton**, Zionsville, IN  
(US); **Keith R. Schoene**, Westfield, IN  
(US)

\* cited by examiner

*Primary Examiner*—Lisa Lichtenstein

(73) Assignee: **Fanimation, Inc.**, Zionsville, IN (US)

(74) *Attorney, Agent, or Firm*—Maginot, Moore & Beck

(\*\*) Term: **14 Years**

(57) **CLAIM**

(21) Appl. No.: **29/273,131**

The ornamental design for a fan blade holder, as shown and described.

(22) Filed: **Feb. 27, 2007**

(51) **LOC (8) Cl.** ..... **23-04**

(52) **U.S. Cl.** ..... **D23/411**

(58) **Field of Classification Search** ..... D23/377,  
D23/379, 385, 411, 413; 416/5  
See application file for complete search history.

**DESCRIPTION**

FIG. 1 is a top elevational view of a fan blade holder showing our new design;

FIG. 2 is a bottom elevational view showing the design for the fan blade holder of FIG. 1;

FIG. 3 is a left side elevational view showing the design for the fan blade holder of FIG. 1;

FIG. 4 is a right side elevational view showing the design for the fan blade holder of FIG. 1;

FIG. 5 is a front elevational view showing the design for the fan blade holder of FIG. 1;

FIG. 6 is a rear elevational view showing the design for the fan blade holder of FIG. 1; and,

FIG. 7 is top perspective view showing the design for the fan blade holder of FIG. 1.

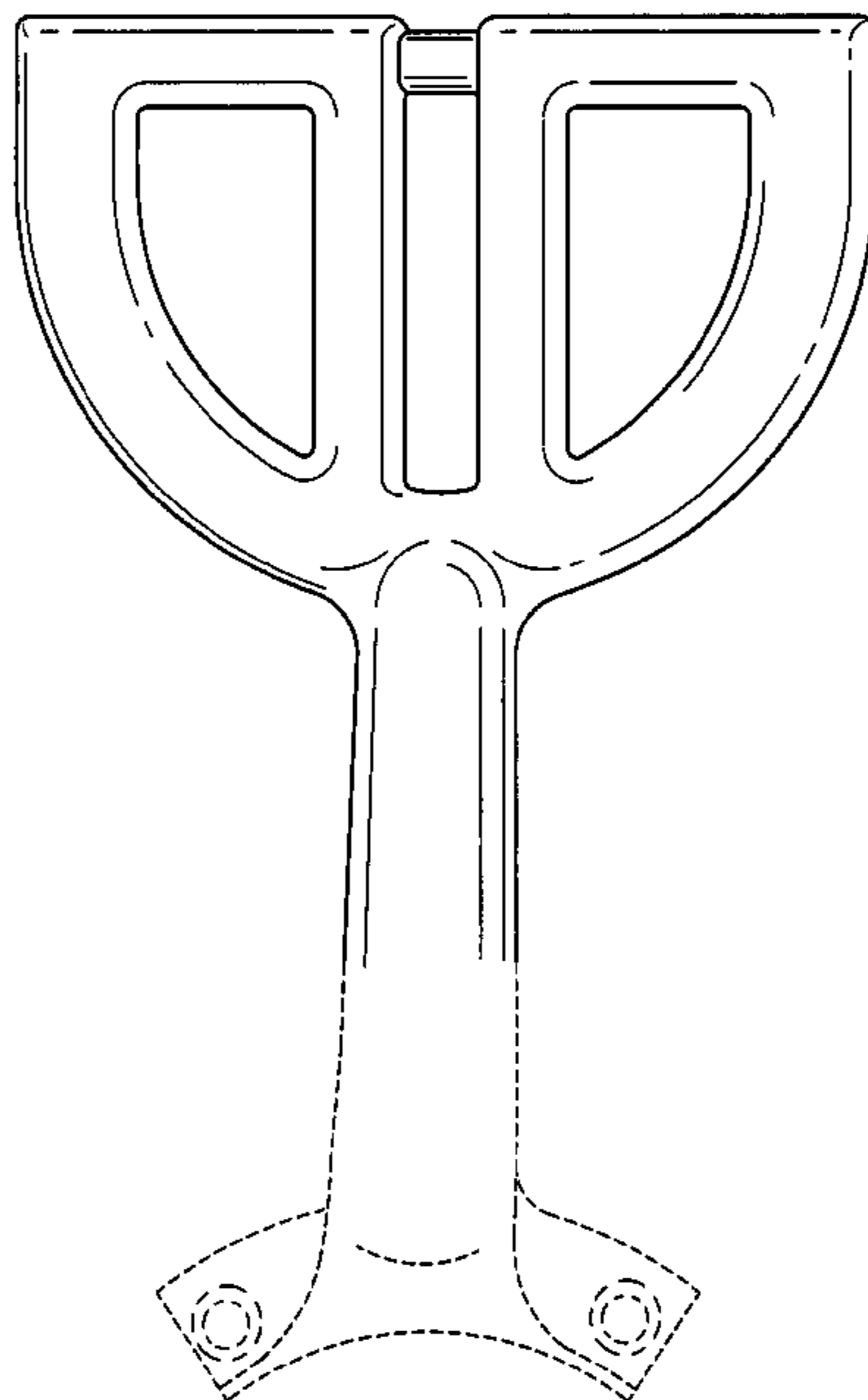
The broken line showing of the coupling portion, the fastener bosses, the contour lining on the bottom side of the blade holder and the fan blade fragment to which the fan blade holder is coupled is included for the purpose of illustrating environmental structure and forms no part of the claimed design.

(56) **References Cited**

U.S. PATENT DOCUMENTS

D263,498 S	3/1982	Markowitz	
D271,134 S	10/1983	Yung	
D297,456 S	8/1988	Pearce	
D376,004 S	11/1996	Tsuji	
D377,681 S	1/1997	Jaspers-Fayer	
D402,360 S	12/1998	Jasper-Fayer	
D404,480 S	1/1999	Liu	
D428,982 S *	8/2000	Oldenburg	..... D23/377
D445,892 S	7/2001	Hsieh	
D464,132 S	10/2002	Campbell	
D477,395 S	7/2003	Thomas, Jr.	
D481,117 S *	10/2003	Tsuji	..... D23/411
D486,220 S	2/2004	Hsieh	
D510,430 S	10/2005	Tai	
D522,131 S	5/2006	Dye	
D523,136 S	6/2006	Chen	
D523,547 S	6/2006	Chen	

**1 Claim, 6 Drawing Sheets**



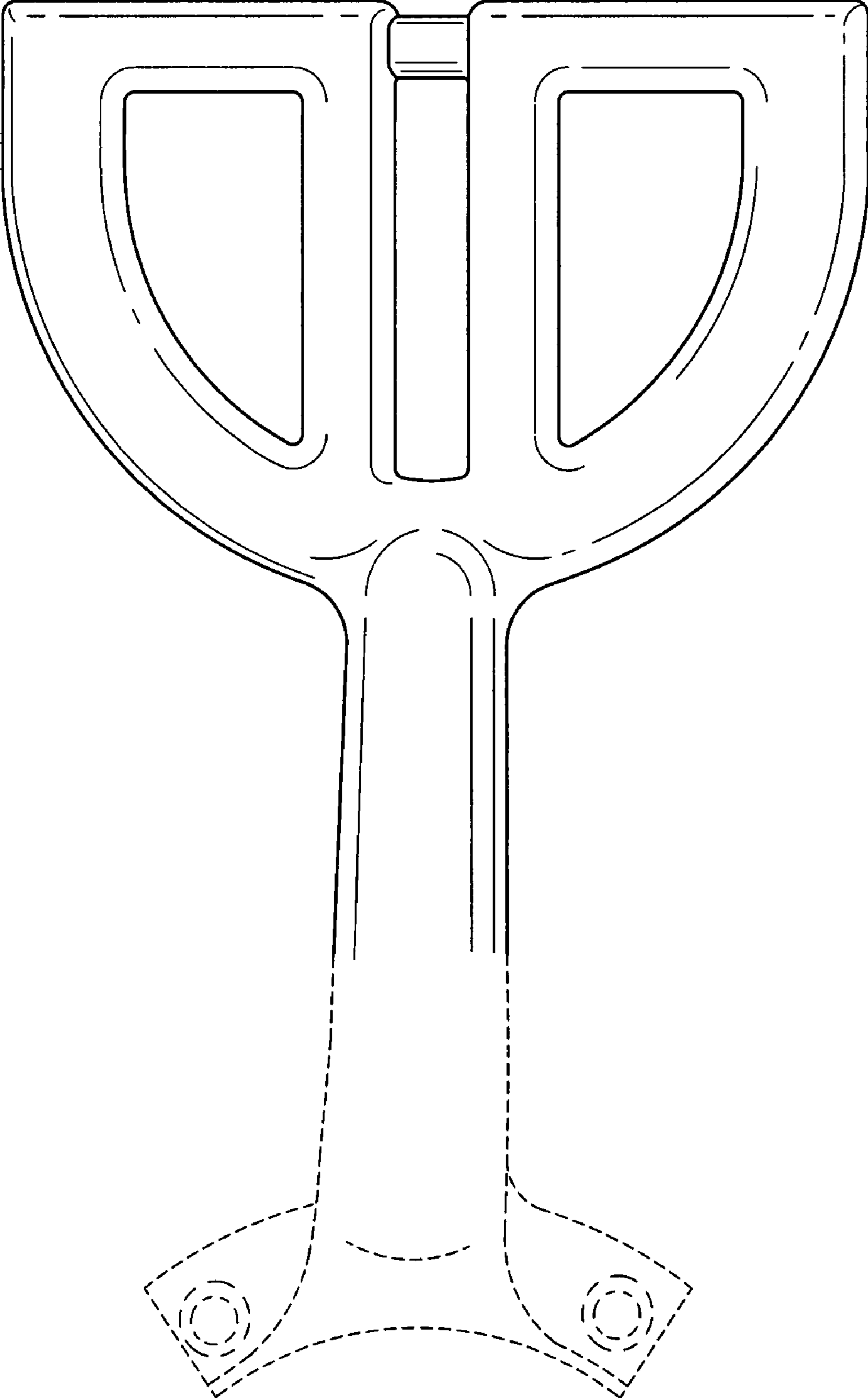


Fig. 1

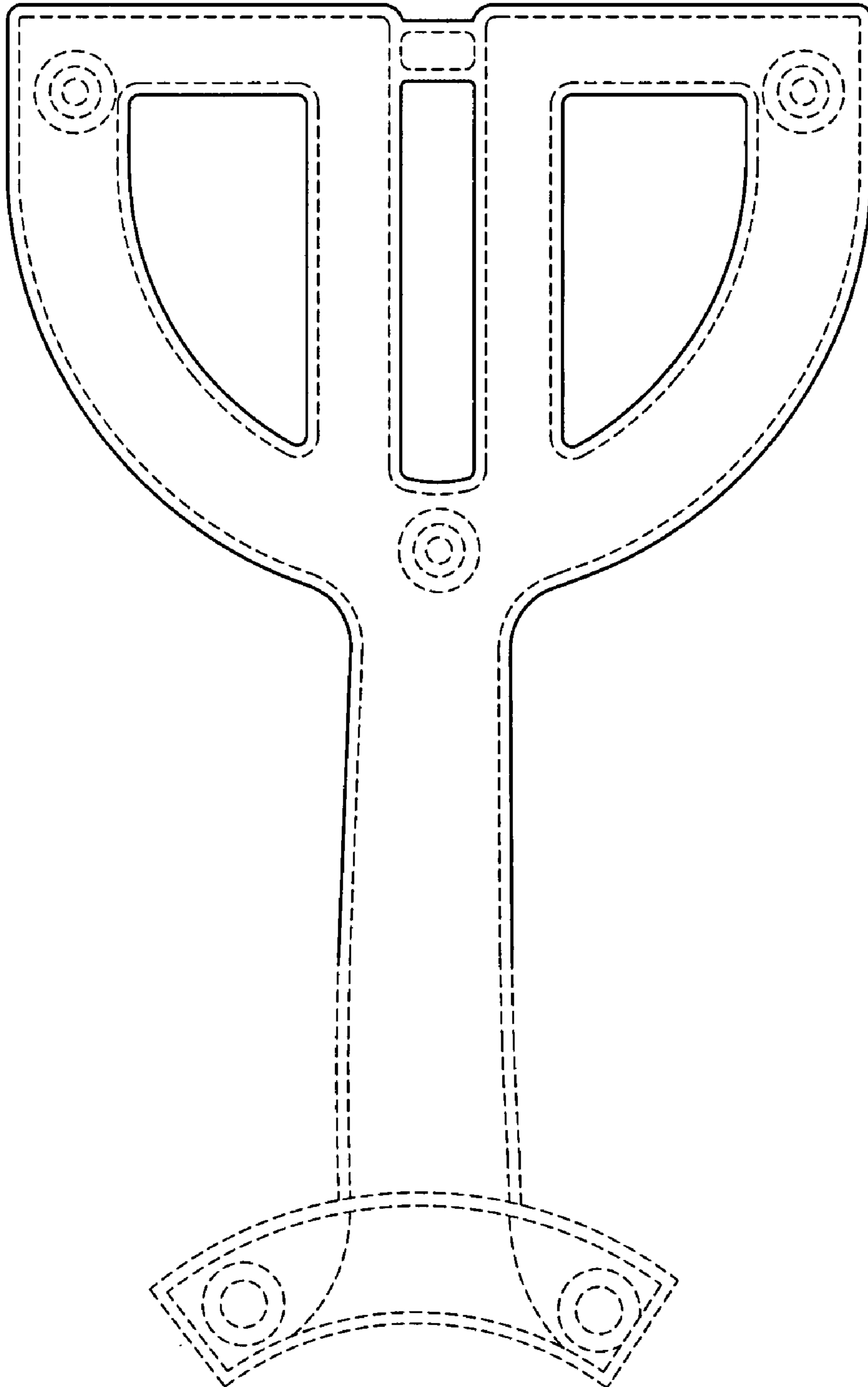


Fig. 2

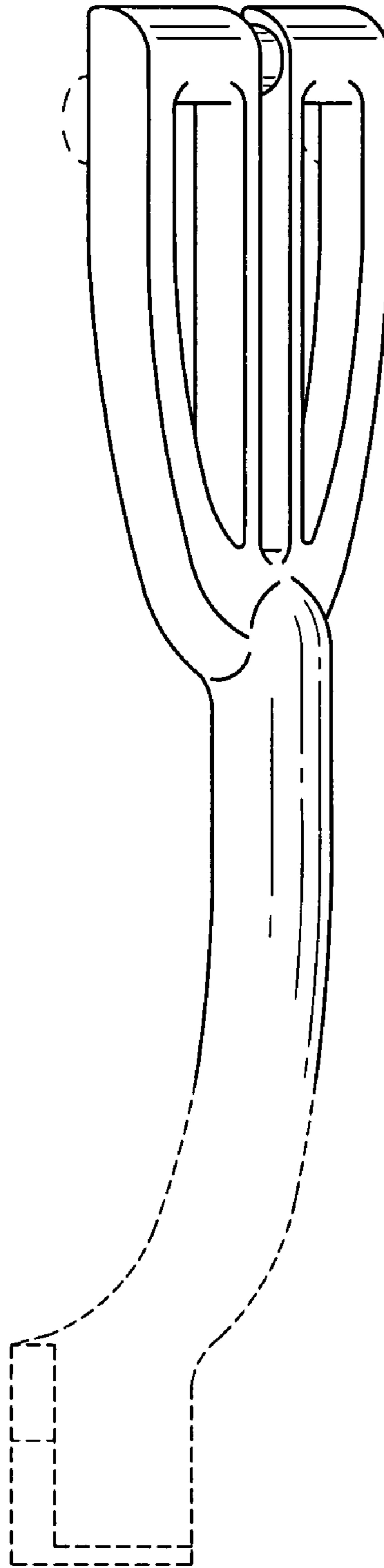


Fig. 3

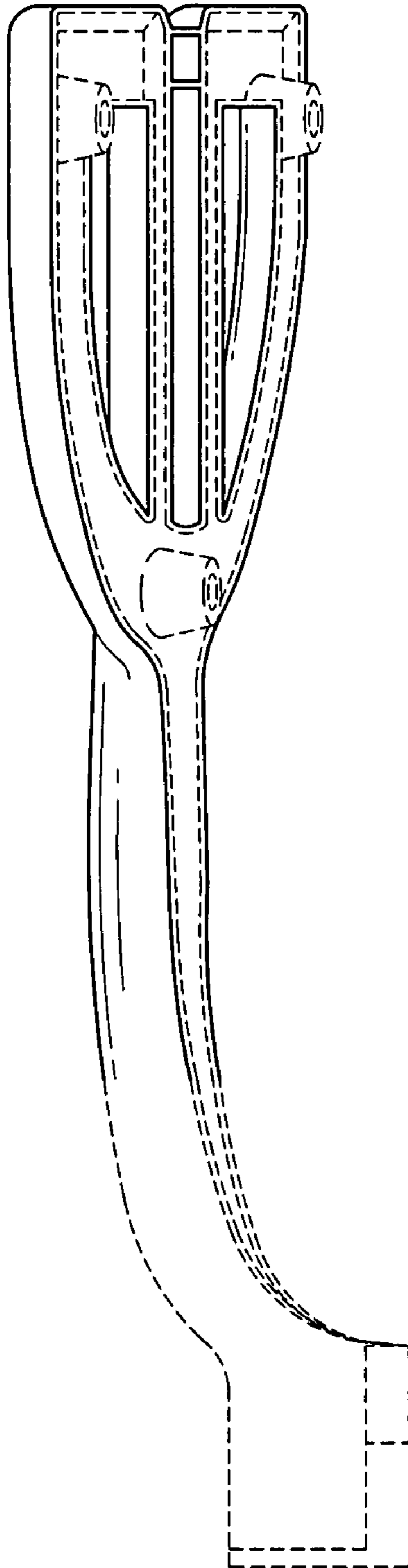


Fig. 4

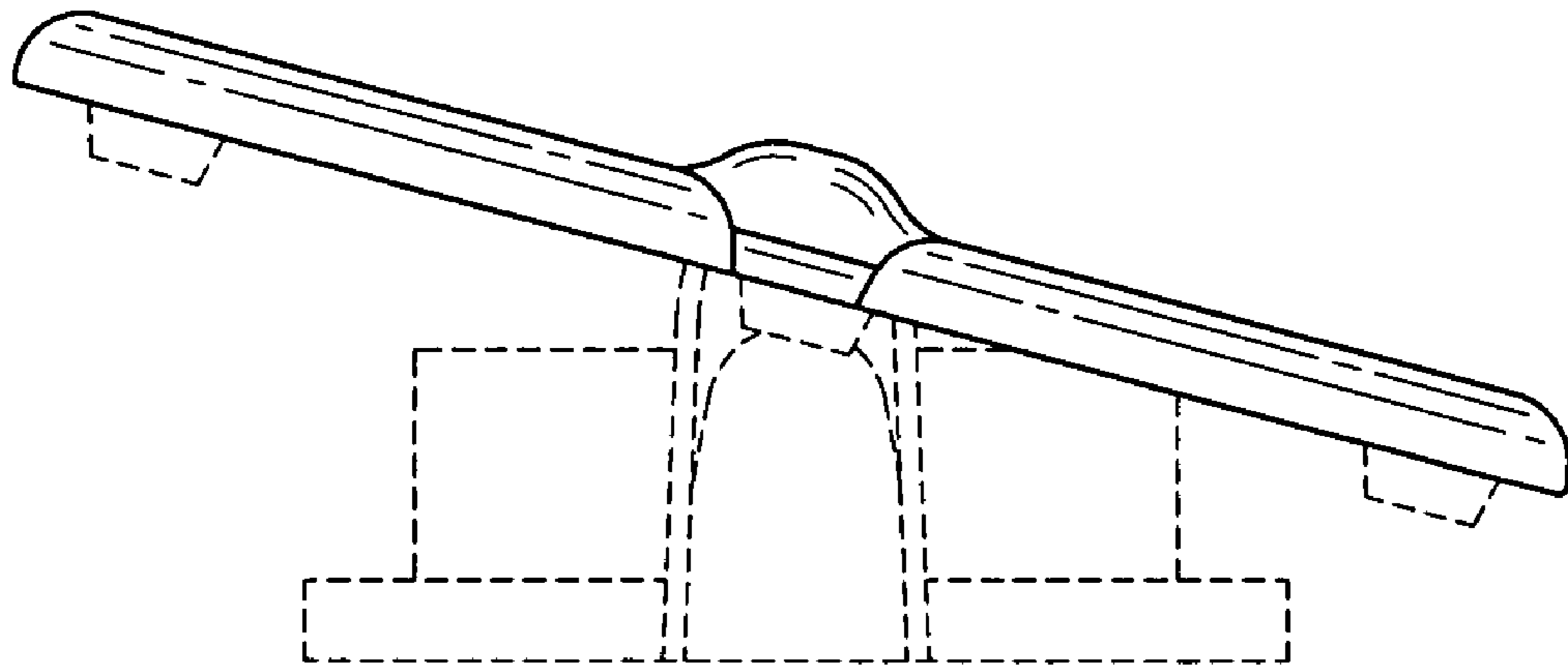


Fig. 5

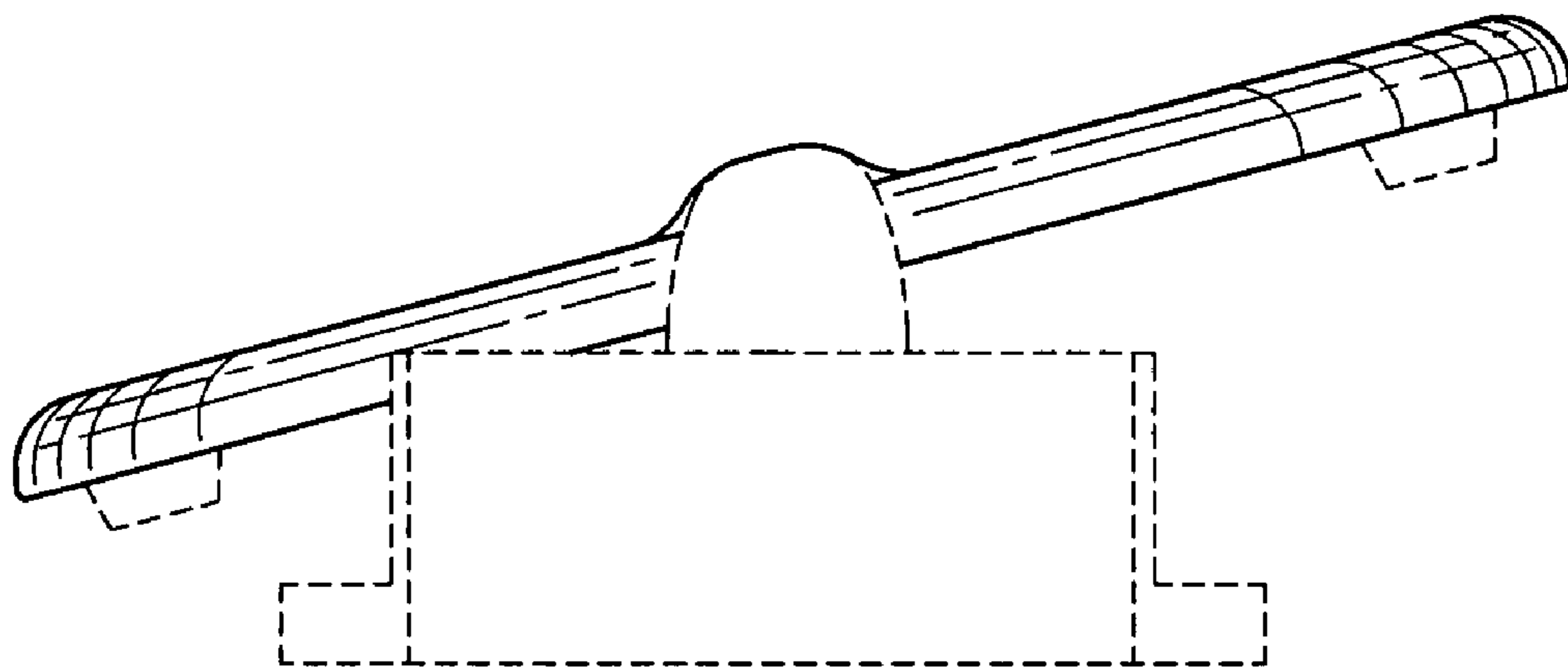


Fig. 6

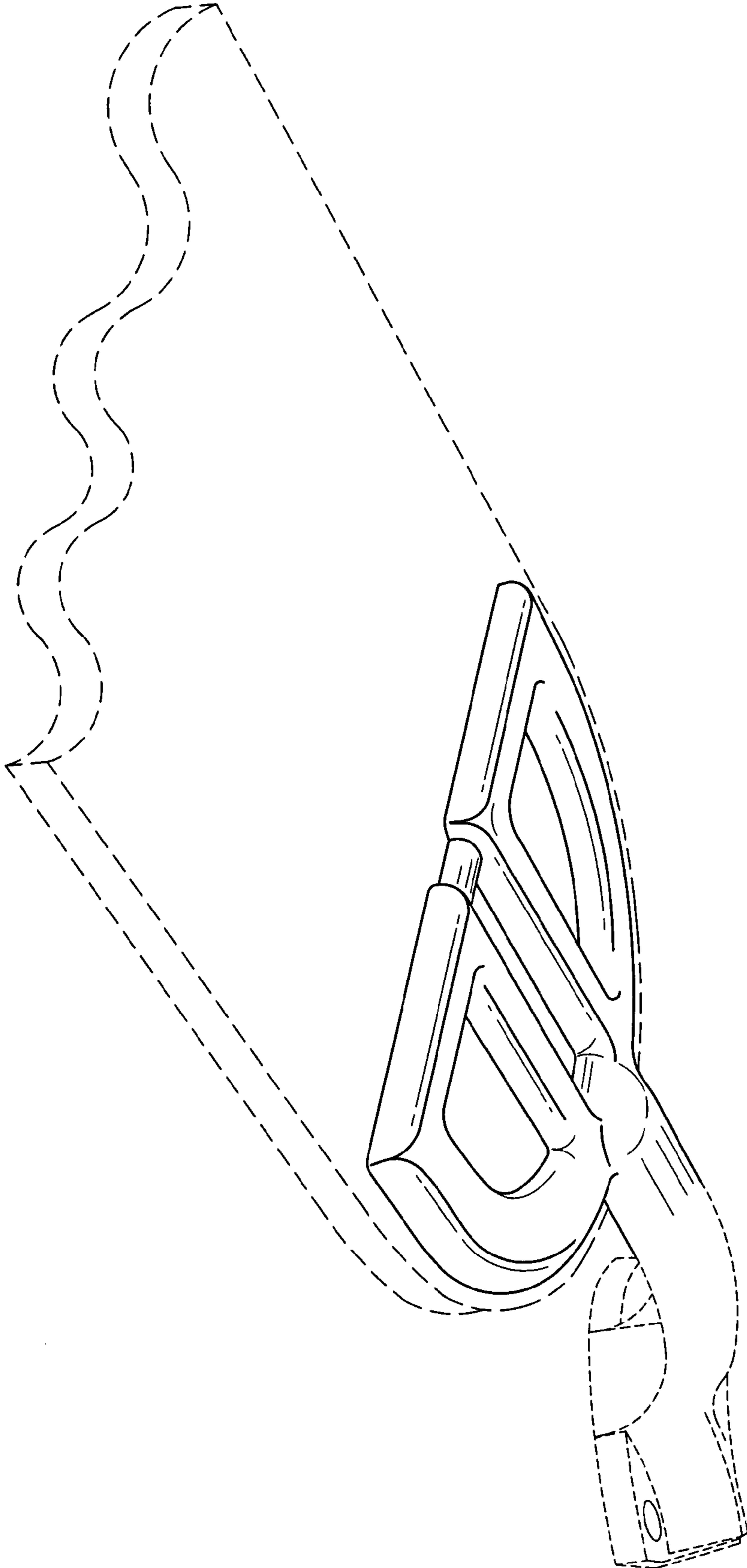


Fig. 7