



US00D559969S

(12) **United States Design Patent**  
**Hammock, Jr.**

(10) **Patent No.:** **US D559,969 S**  
(45) **Date of Patent:** **\*\* Jan. 15, 2008**

(54) **RADIAL AIR FLOW CONTROLLER**

(76) Inventor: **Charles W. Hammock, Jr.**, 4658 S.  
Beechwood Dr., Macon, GA (US)  
31220

(\*\*) Term: **14 Years**

(21) Appl. No.: **29/229,484**

(22) Filed: **May 6, 2005**

(51) **LOC (8) Cl.** ..... **23-04**

(52) **U.S. Cl.** ..... **D23/388**

(58) **Field of Classification Search** ..... D23/388,  
D23/387, 385, 382, 390, 393; 454/245, 248,  
454/270, 284, 300, 310, 312  
See application file for complete search history.

(56) **References Cited**

**U.S. PATENT DOCUMENTS**

D123,329	S	*	10/1940	Serre et al.	.....	D23/390
D158,672	S	*	5/1950	Koch	.....	D23/390
2,521,636	A	*	9/1950	Kurth	.....	454/310
D165,983	S	*	2/1952	Kennedy	.....	D23/390
2,616,355	A	*	11/1952	McCabe et al.	.....	D23/390
3,311,044	A	*	3/1967	Marino	.....	454/300
4,145,961	A	*	3/1979	Lolli	.....	454/312
D317,819	S	*	6/1991	Sello	.....	D23/390
5,133,693	A	*	7/1992	Blomster	.....	454/312

D475,130	S	*	5/2003	Stout, Jr.	.....	D23/393
D475,447	S	*	6/2003	Stout, Jr.	.....	D23/393
D488,217	S	*	4/2004	Stout, Jr.	.....	D23/393
D488,859	S	*	4/2004	Stout, Jr.	.....	D23/393

\* cited by examiner

*Primary Examiner*—Ian Simmons

*Assistant Examiner*—David G. Muller

(74) *Attorney, Agent, or Firm*—E. J. Asbury, III, LLC

(57) **CLAIM**

The ornamental design for a radial air flow controller, as shown and described.

**DESCRIPTION**

FIG. 1 is a front view of the radial air flow diffuser, the back view being identical;

FIG. 2 is a top view thereof;

FIG. 3 is a right side view thereof, the left side view being identical;

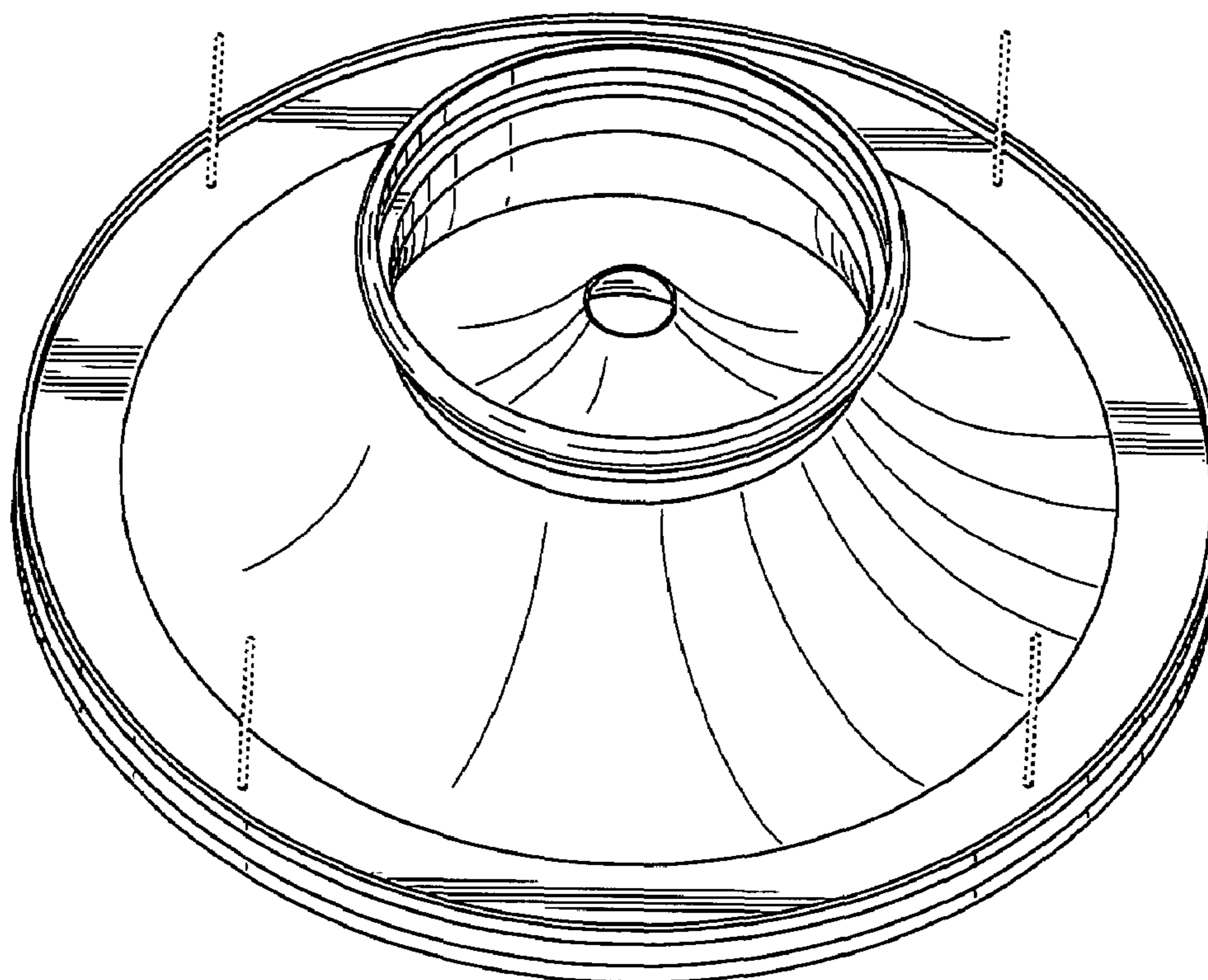
FIG. 4 is a bottom view thereof; and

FIG. 5 is a top perspective view thereof; and,

FIG. 6 is a bottom perspective view thereof.

The broken lines shown in FIGS. 1–5 show environmental structure and form no part of the claimed design.

**1 Claim, 3 Drawing Sheets**



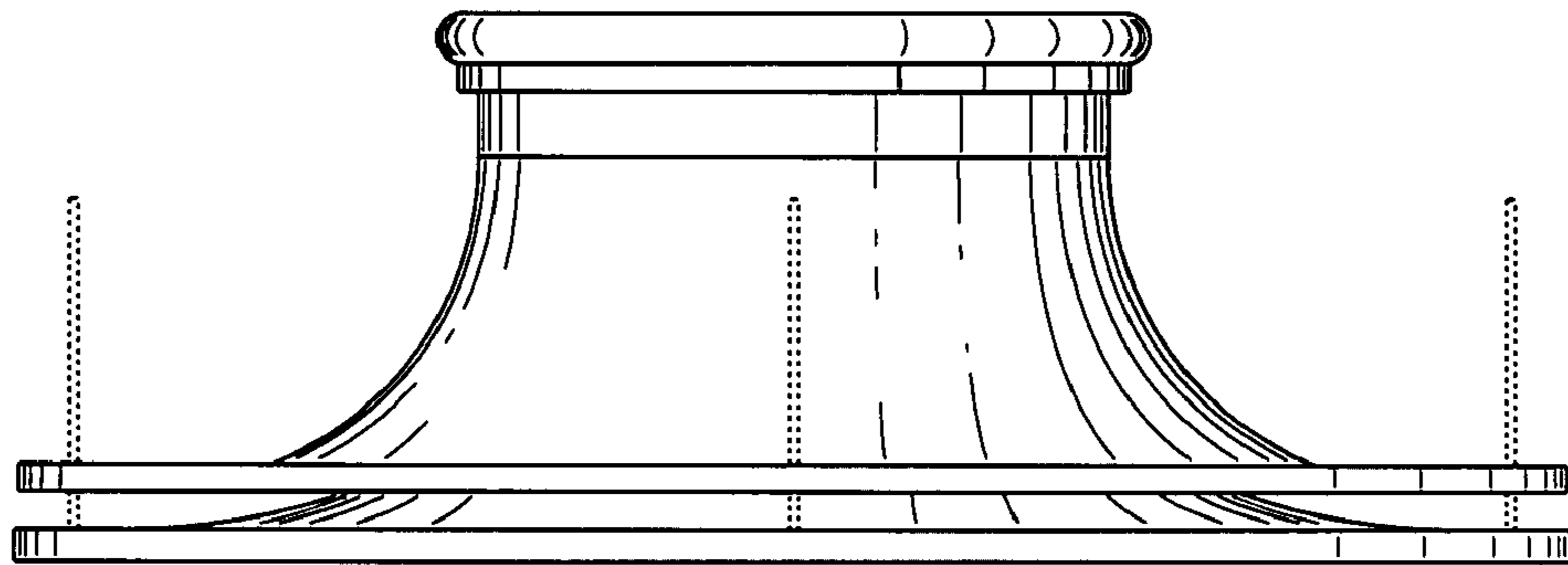


Fig. 1

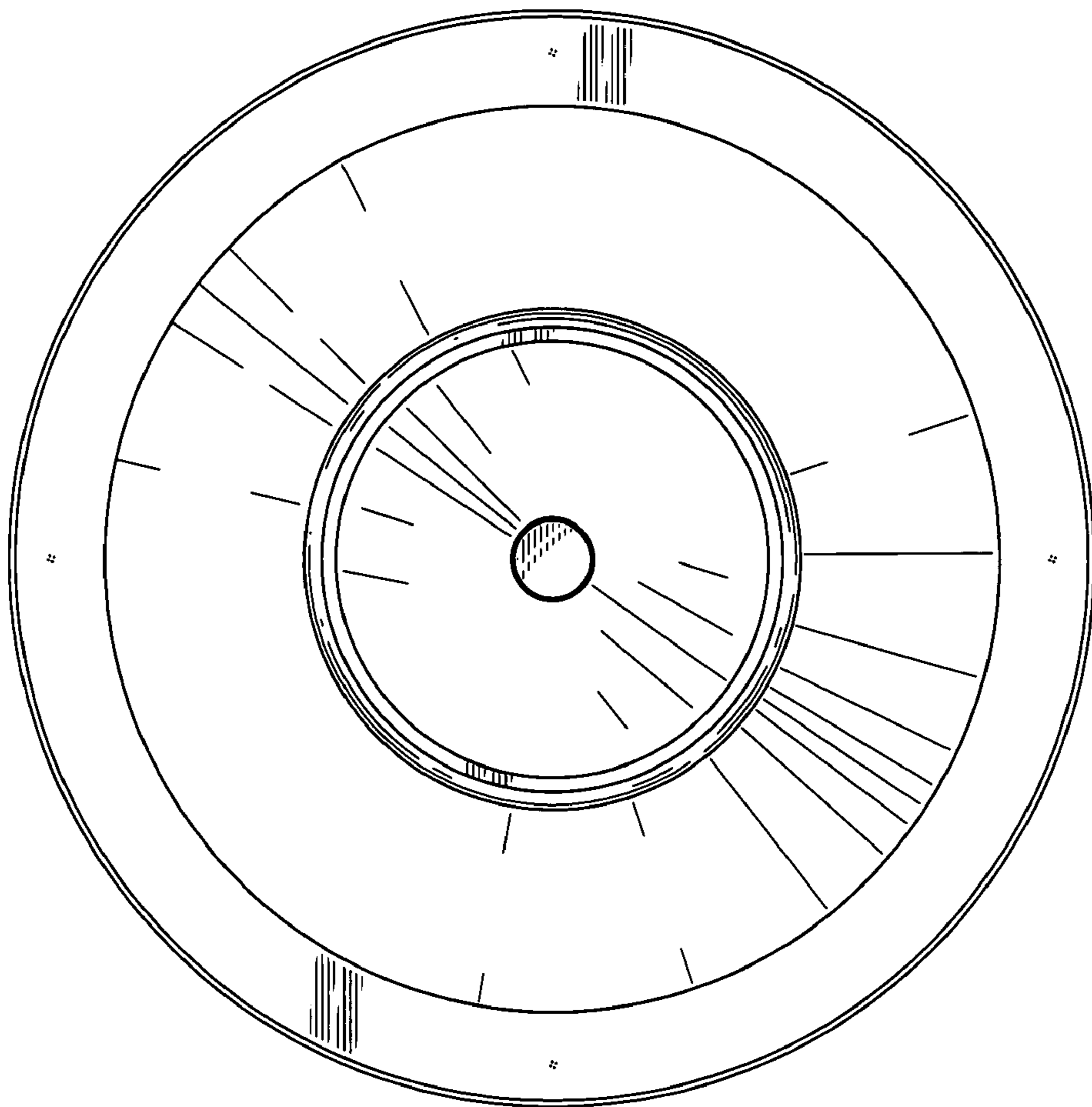
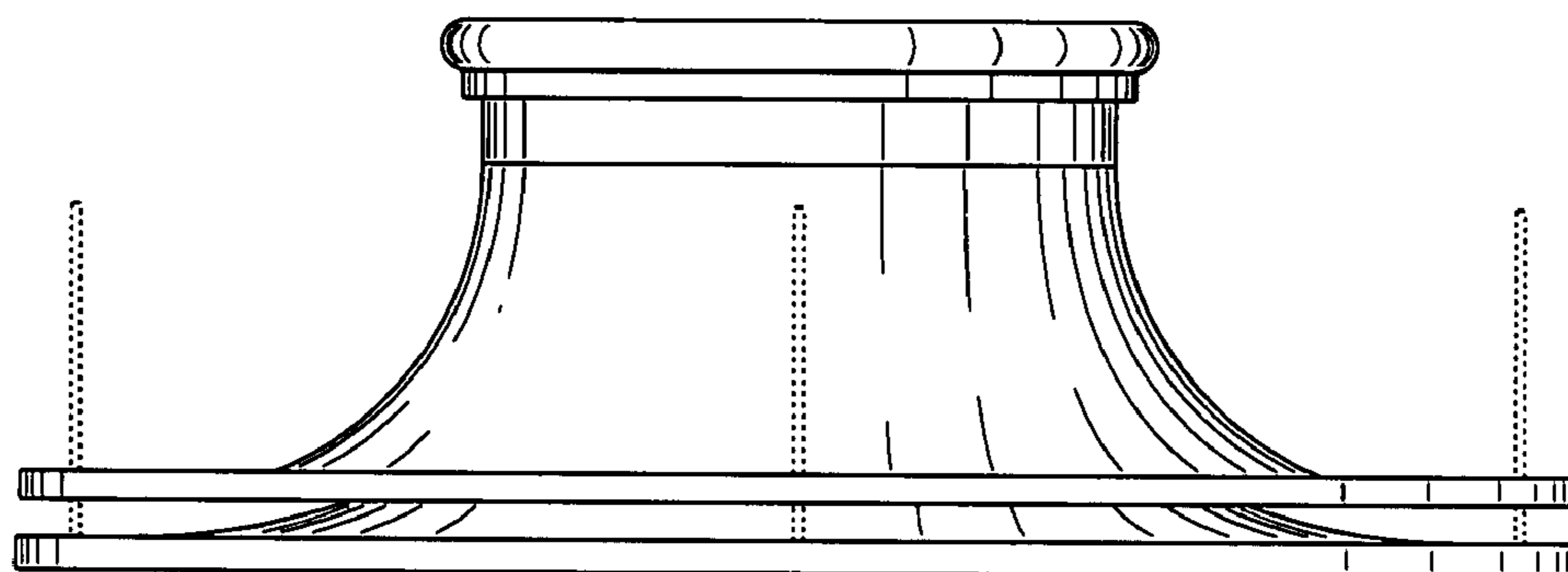
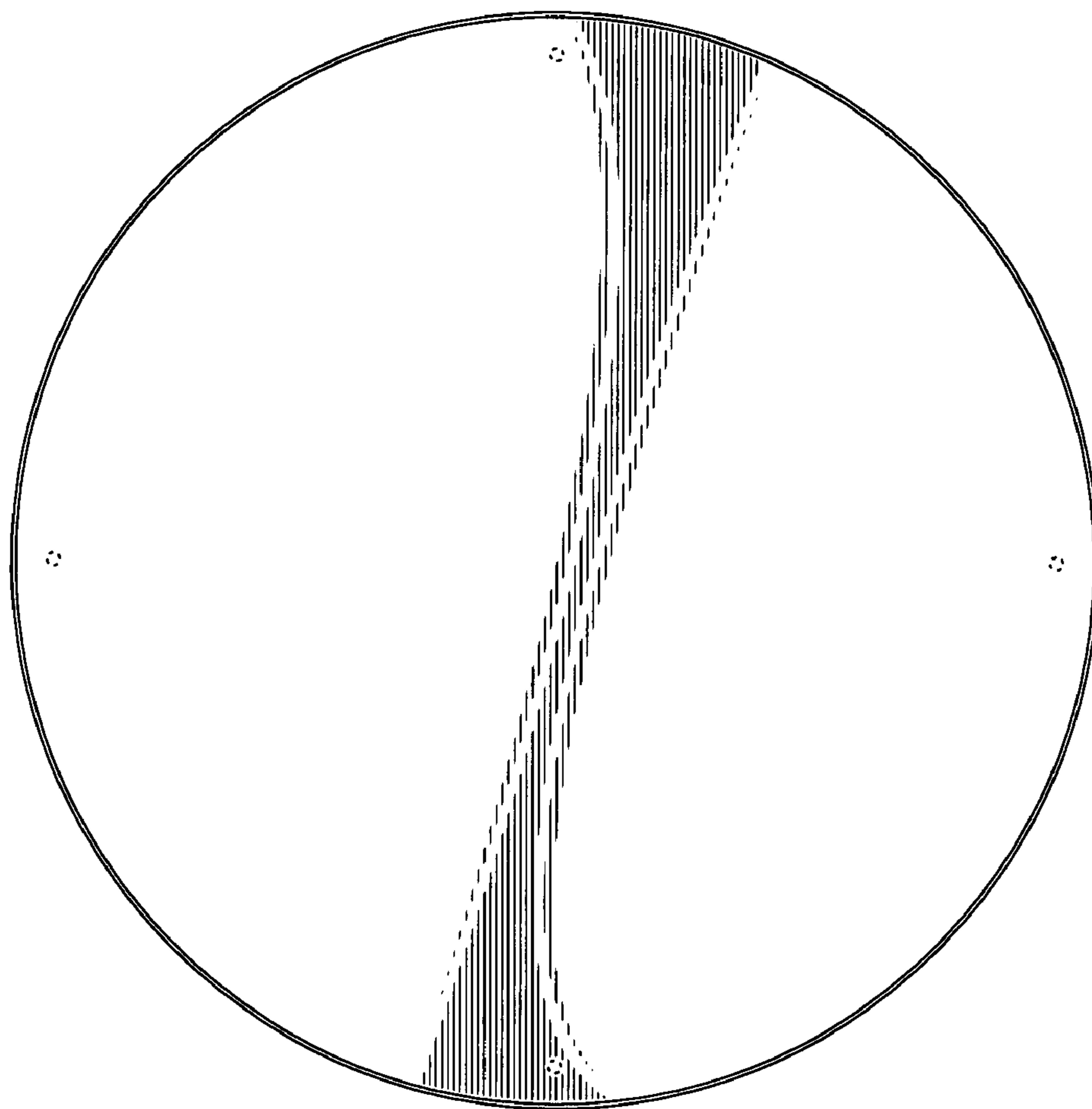


Fig. 2



**Fig. 3**



**Fig. 4**

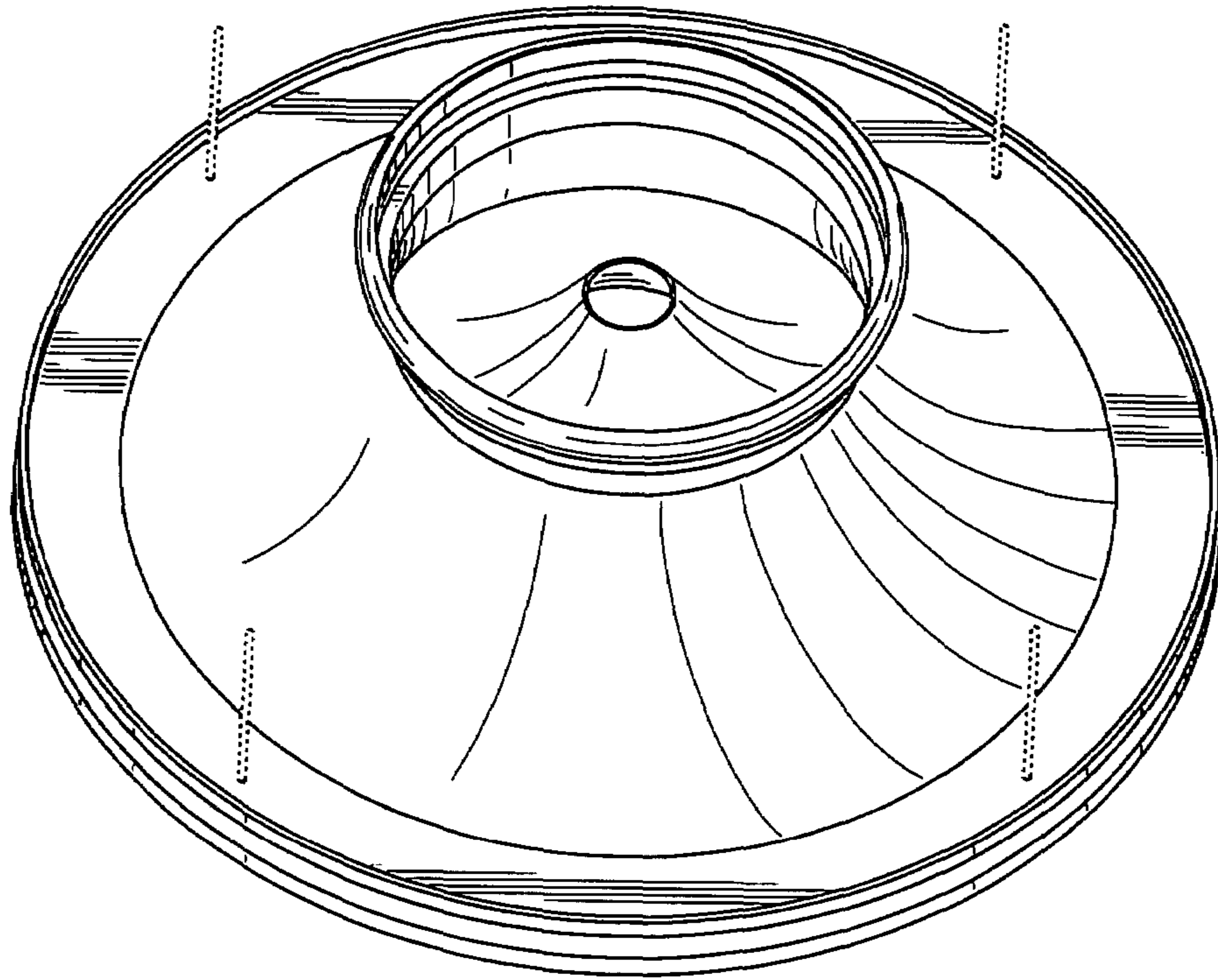


Fig. 5

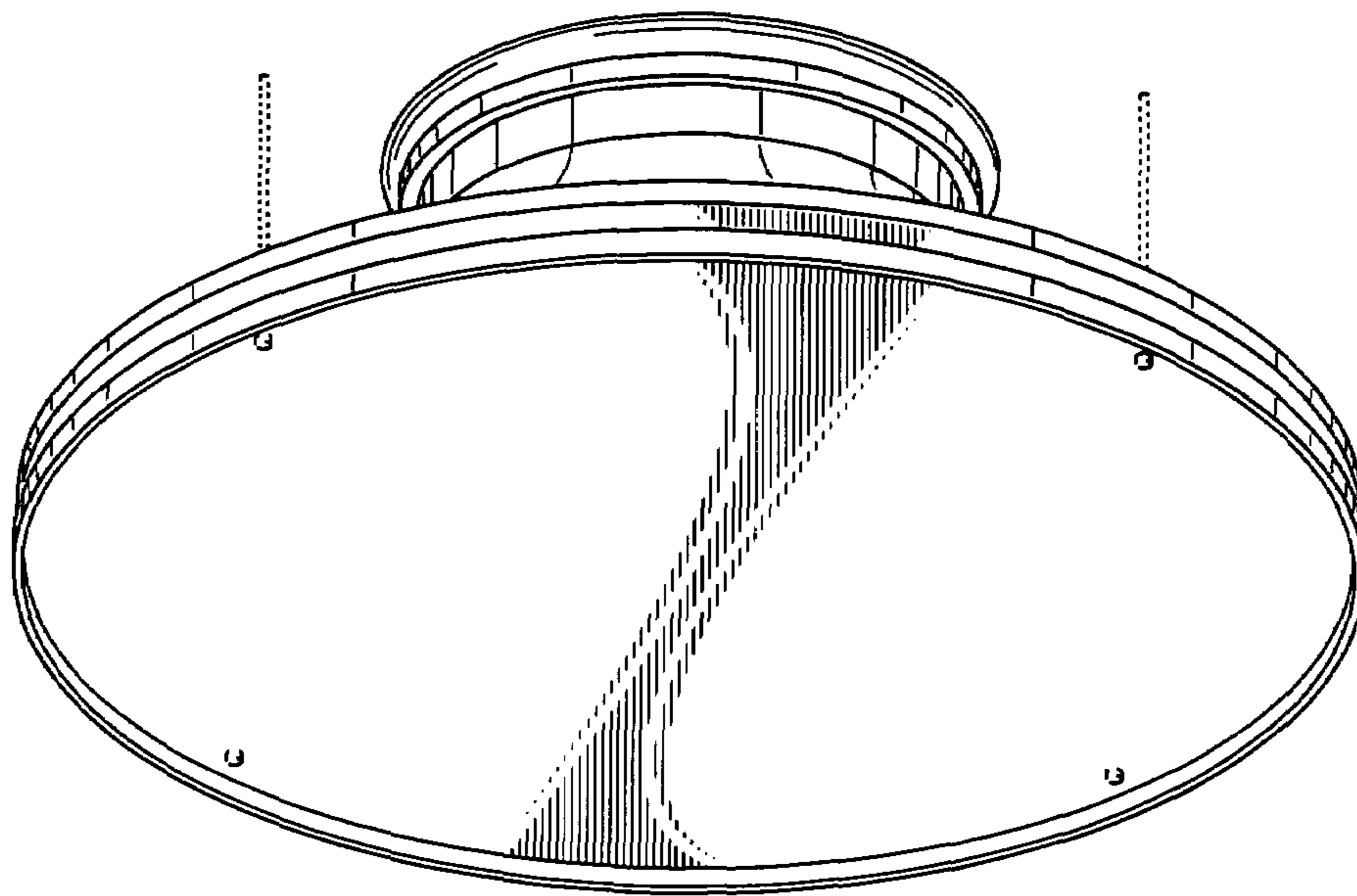


Fig. 6