



US00D559965S

(12) **United States Design Patent**  
**Kennedy et al.**

(10) **Patent No.: US D559,965 S**  
(45) **Date of Patent: \*\* Jan. 15, 2008**

(54) **AIR FRESHENER DEVICE**

(75) Inventors: **David Kennedy**, Montvale, NJ (US);  
**Bruno Lablaine**, Thivars (FR); **Renaud Lachery**, Chartres (FR); **Paul Newton**, Hull (GB)

(73) Assignee: **Reckitt Benckiser (UK) Limited**, Slough, Berkshire (GB)

(\*\*) Term: **14 Years**

(21) Appl. No.: **29/277,320**

(22) Filed: **Feb. 21, 2007**

(30) **Foreign Application Priority Data**

Aug. 21, 2006 (EM) ..... 000577556-0001

(51) **LOC (8) Cl.** ..... **28-99**

(52) **U.S. Cl.** ..... **D23/366**

(58) **Field of Classification Search** ..... 261/DIG. 17,  
261/DIG. 42, DIG. 65, DIG. 88, DIG. 89;  
D23/355-369; D28/5, 6; 392/386, 390,  
392/392, 393, 394, 401; 239/34, 35, 37,  
239/41, 42, 43, 53-58, 60, 136, 326  
See application file for complete search history.

(56) **References Cited**

U.S. PATENT DOCUMENTS

- D393,063 S \* 3/1998 Wefler ..... D23/366
- D437,636 S \* 2/2001 Basaganas ..... D23/366
- D469,862 S \* 2/2003 Cruver et al. .... D23/366
- D473,638 S \* 4/2003 Cruver, IV ..... D23/366
- D474,268 S \* 5/2003 Choke-arpornchai  
et al. .... D23/366
- D477,065 S \* 7/2003 Lonczak et al. .... D23/366
- D487,144 S \* 2/2004 Choke-arpornchai  
et al. .... D23/366

- D491,256 S \* 6/2004 Fellows et al. .... D23/366
- D501,546 S \* 2/2005 Cruver et al. .... D23/366
- D502,540 S \* 3/2005 Cruver et al. .... D23/366
- D510,423 S \* 10/2005 Caserta et al. .... D23/366
- D512,136 S \* 11/2005 Wefler ..... D23/366
- D512,769 S \* 12/2005 Wefler ..... D23/366
- 6,976,637 B2 \* 12/2005 Massimo ..... 239/44
- D523,129 S \* 6/2006 Caserta et al. .... D23/366
- D533,930 S \* 12/2006 Keller et al. .... D23/366
- RE39,694 E \* 6/2007 Choke-arpornchai  
et al. .... D23/366
- 2003/0194225 A1 \* 10/2003 Pedrotti et al. .... 392/395
- 2004/0170404 A1 \* 9/2004 Kenney ..... 392/390
- 2005/0094988 A1 \* 5/2005 Yip et al. .... 392/395

\* cited by examiner

*Primary Examiner*—Sandra Snapp

(57) **CLAIM**

The ornamental design for an air freshener device, as shown and described.

**DESCRIPTION**

FIG. 1 is a front perspective view of the air freshener device of the present invention;

FIG. 2 is an elevation view of the front thereof;

FIG. 3 is an elevation view of the rear thereof;

FIG. 4 is an elevation view of the left side thereof;

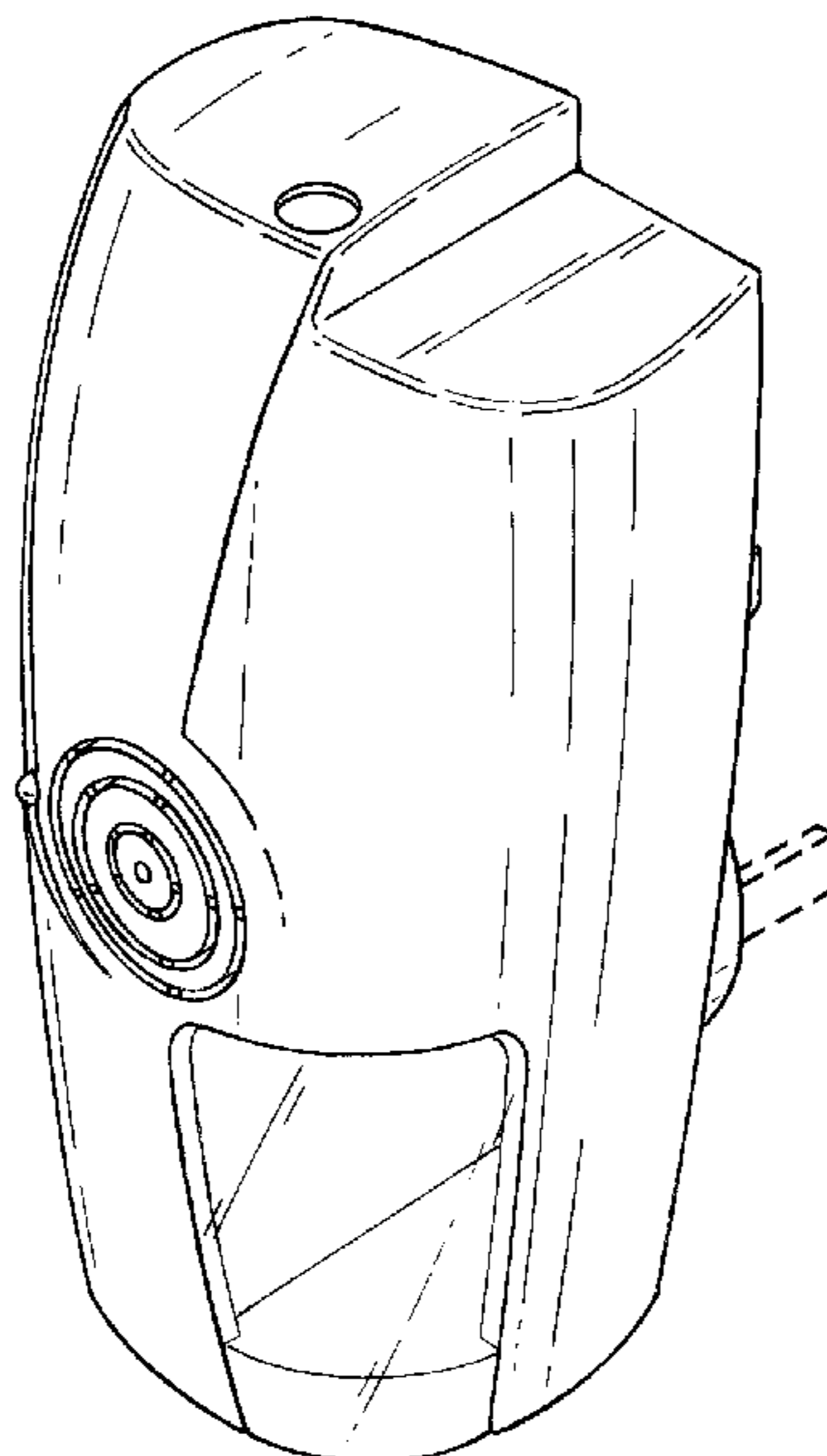
FIG. 5 is an elevation view of the right side thereof;

FIG. 6 is a plan view of the top thereof; and,

FIG. 7 is a plan view of the bottom thereof.

The broken lines shown in the drawings are for illustrative purposes only and form no part of the claimed design.

**1 Claim, 3 Drawing Sheets**



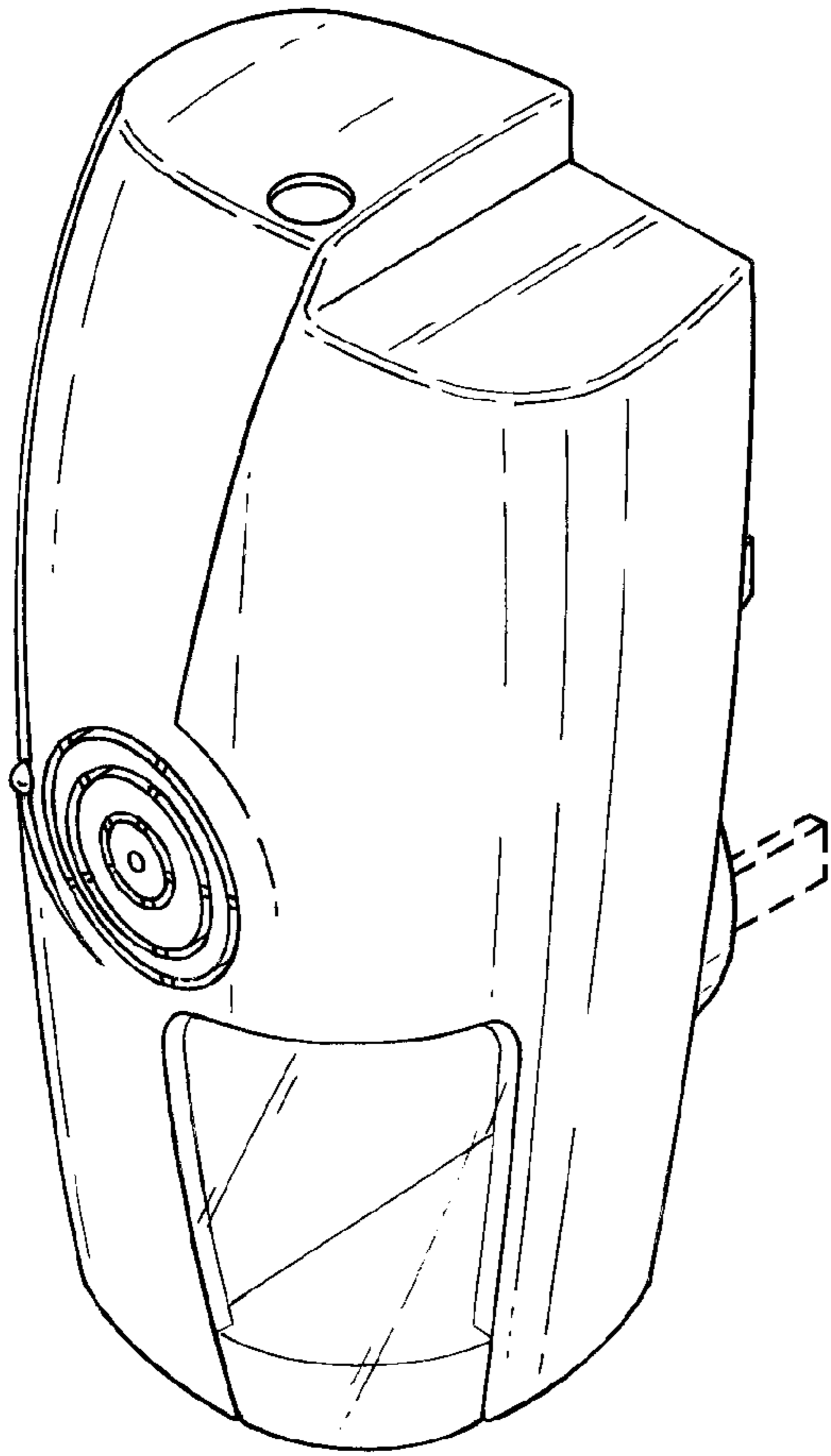


Fig. 1.

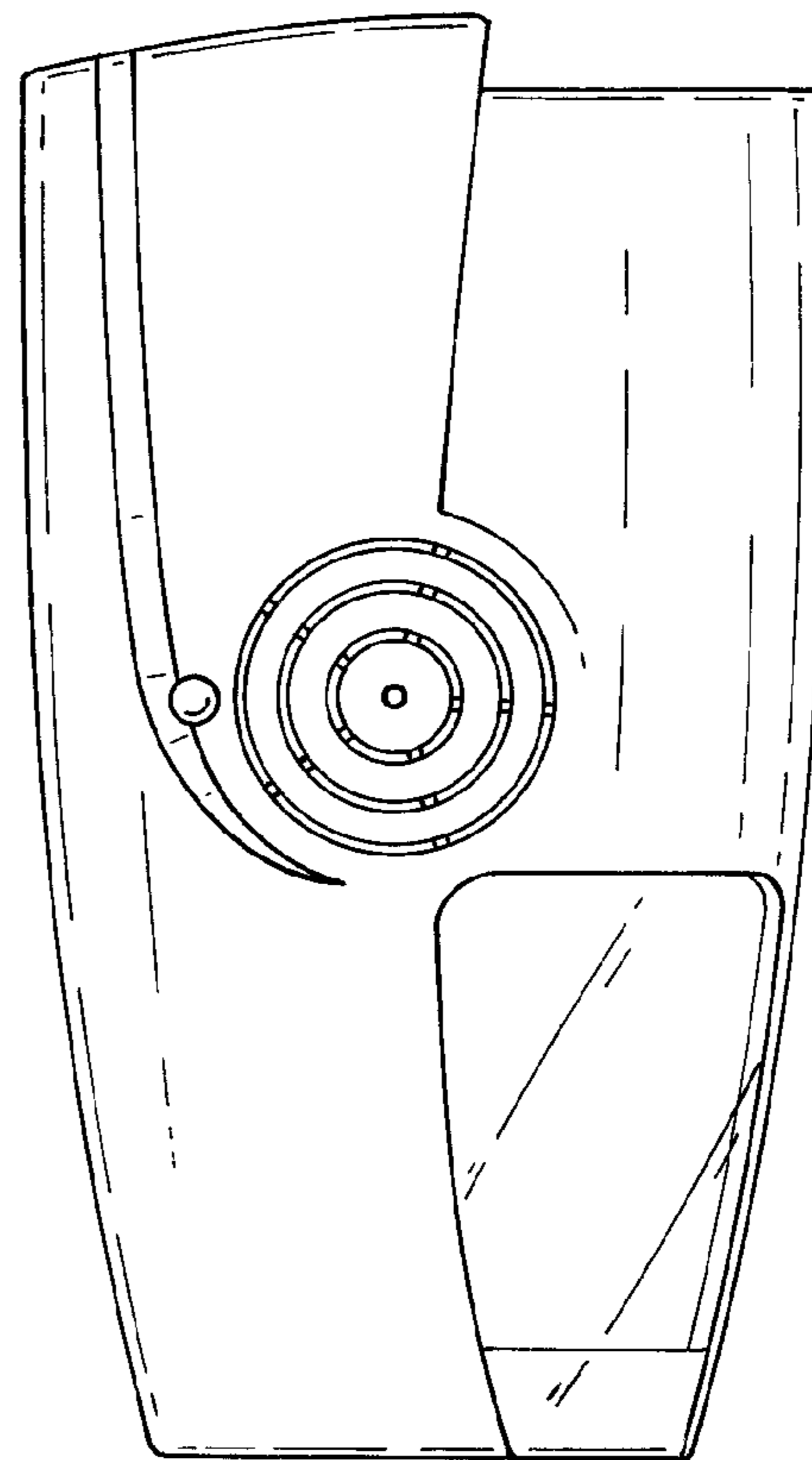


Fig. 2.

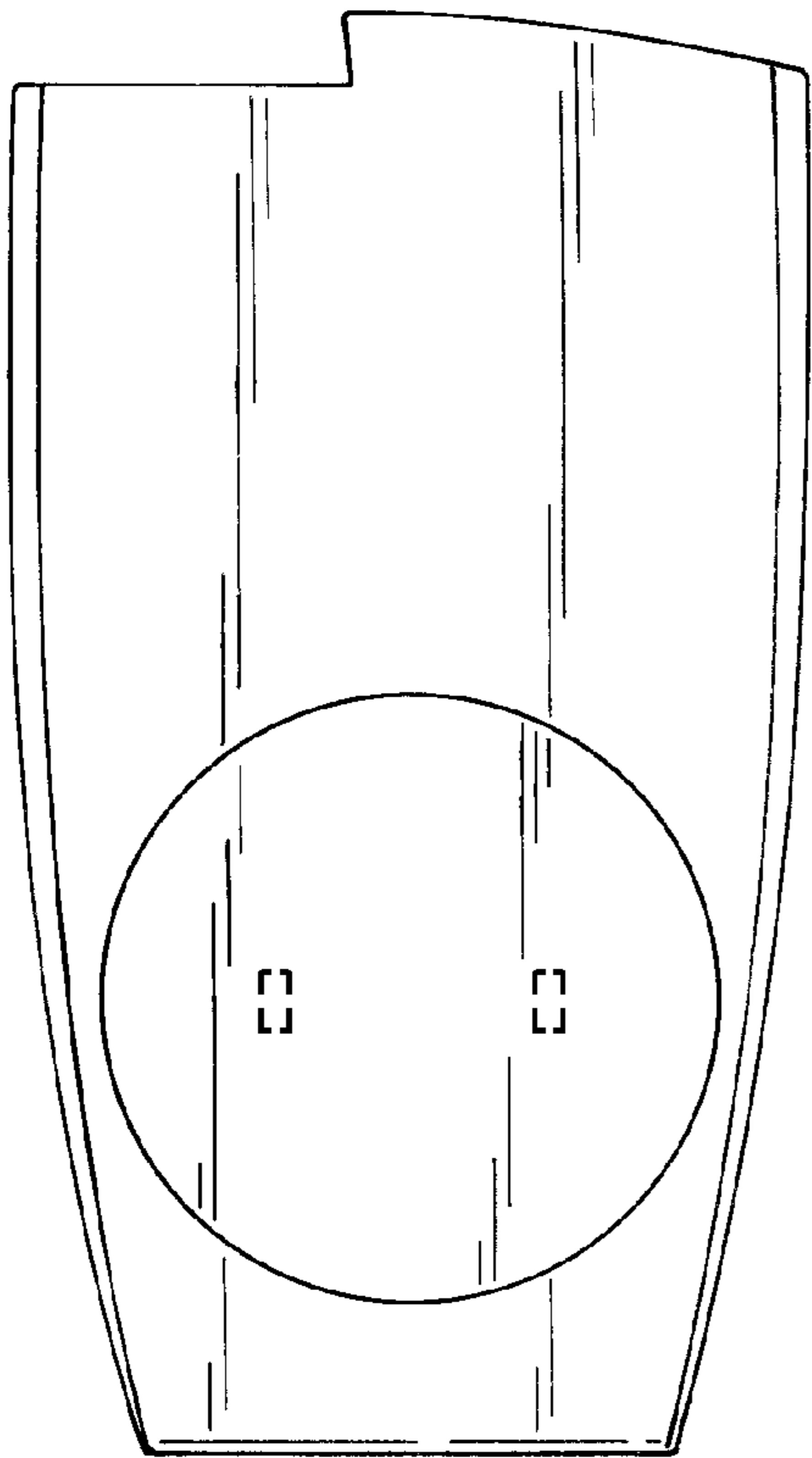


Fig.3.

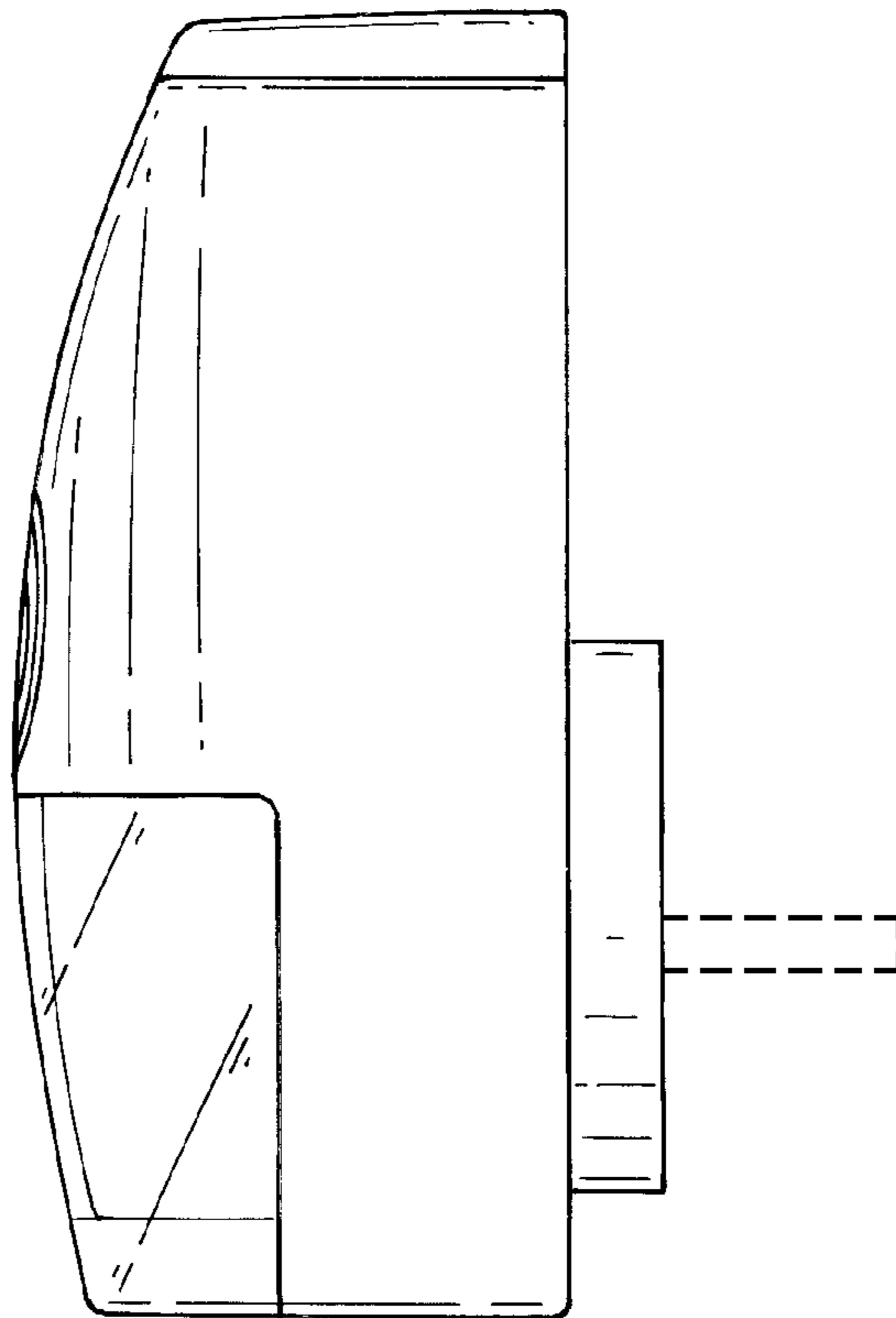


Fig.4.

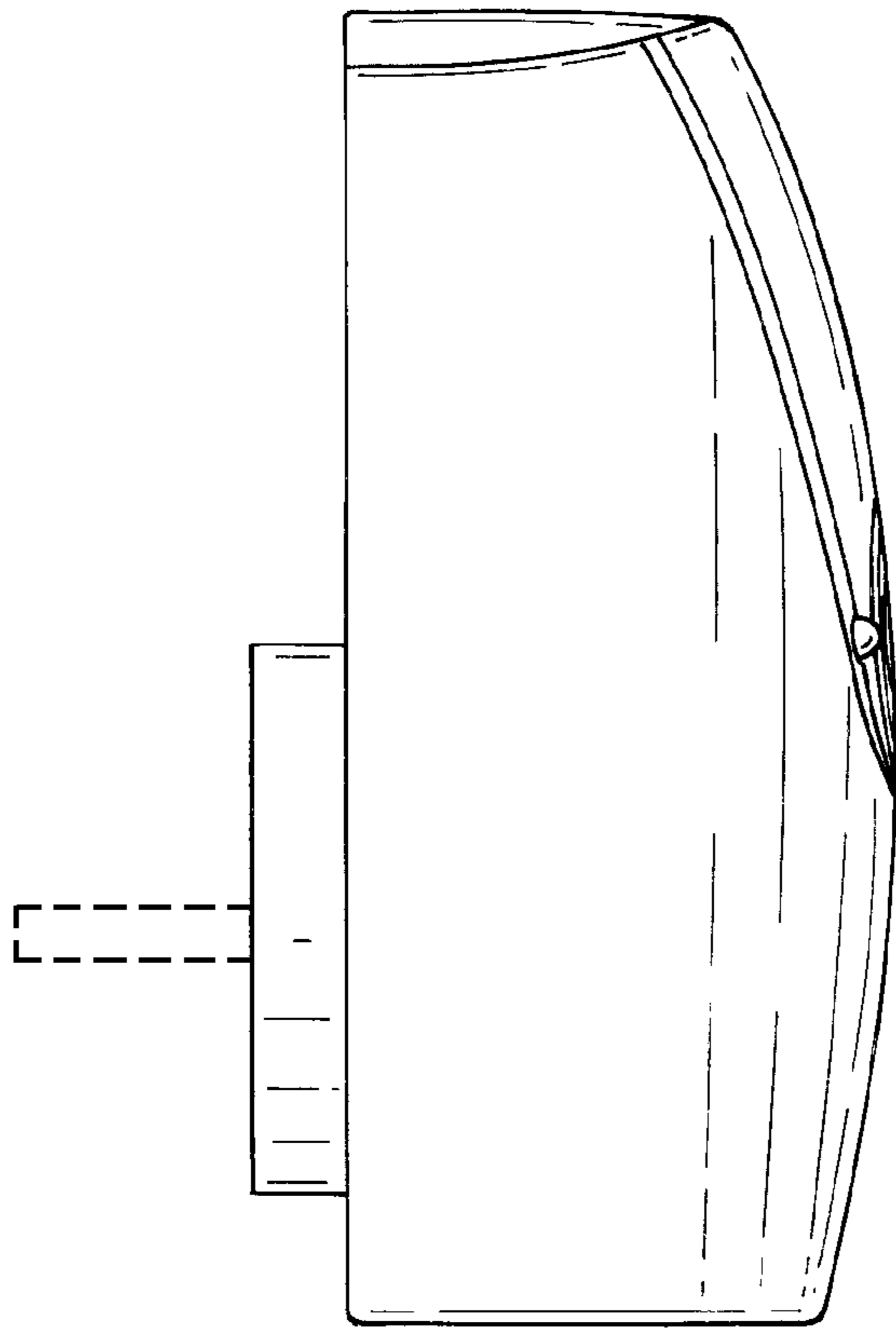


Fig.5.

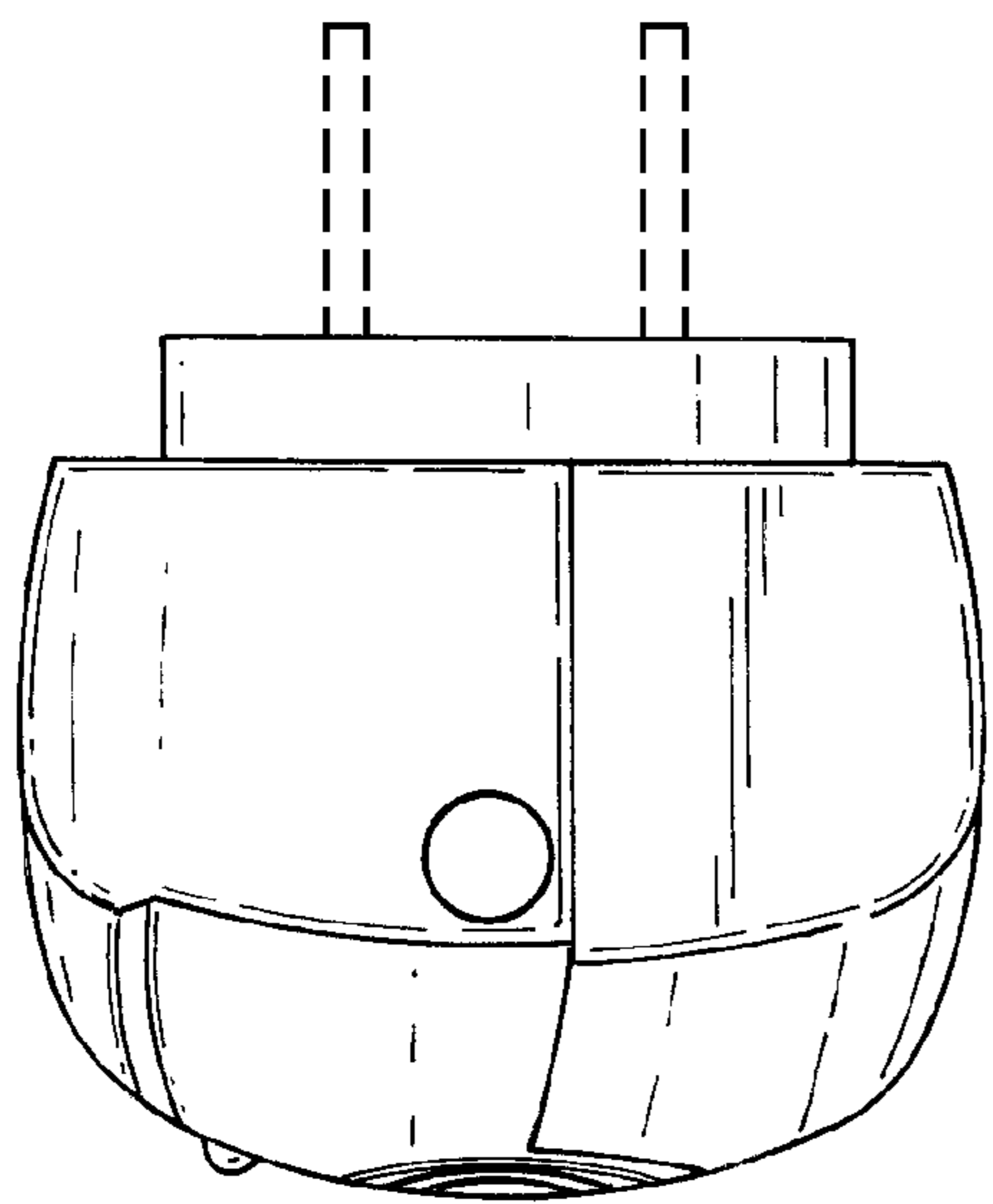


Fig.6.

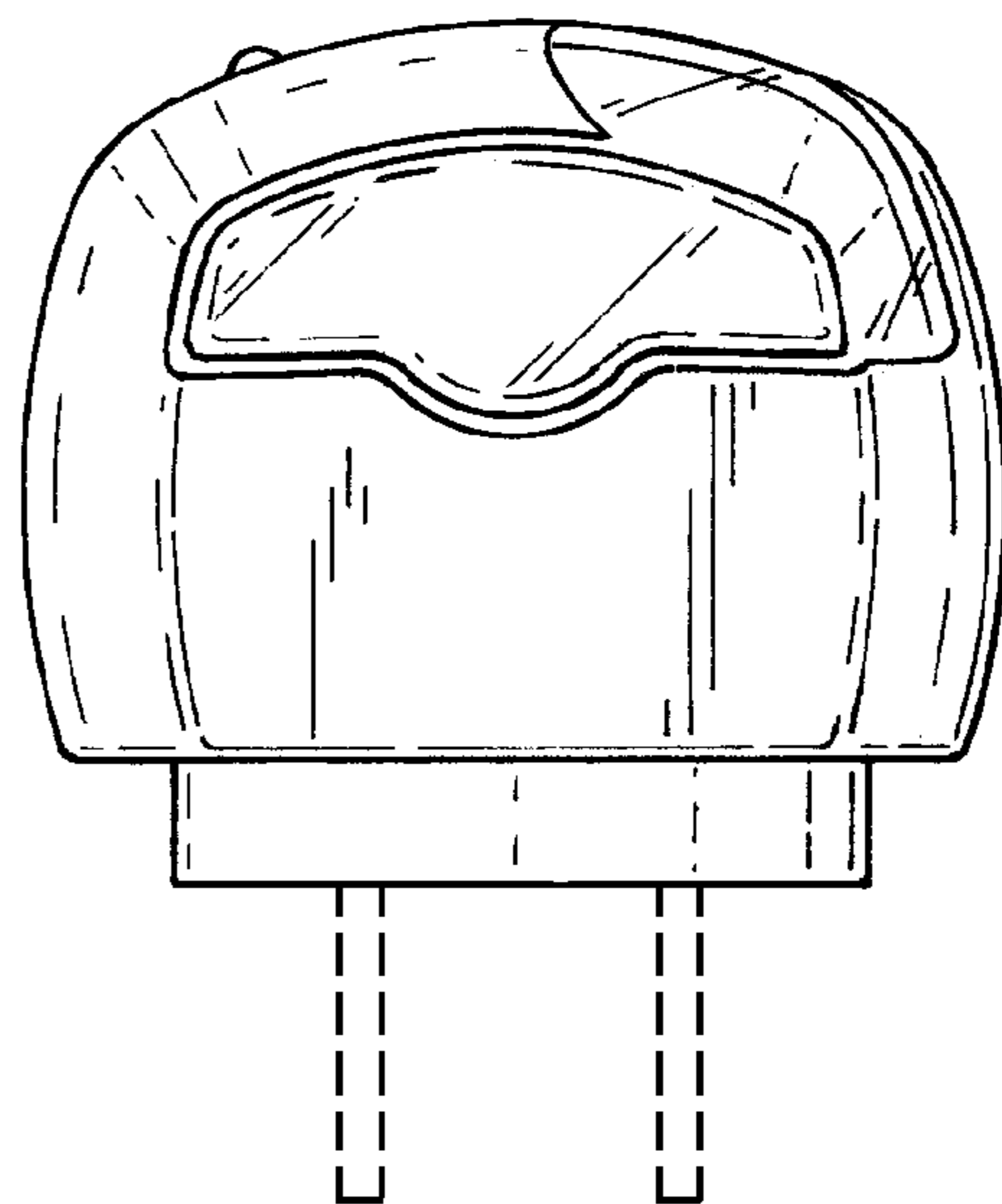


Fig.7.