



US00D559964S

(12) **United States Design Patent**
Snow et al.

(10) **Patent No.:** **US D559,964 S**
(45) **Date of Patent:** **** Jan. 15, 2008**

(54) **PORTION OF A HUMIDIFIER TUB**

D498,527 S 11/2004 Virr et al.

(75) Inventors: **John Michael Snow**, Cremorne (AU);
Dan Kao, Chatswood (AU); **Perry**
David Lithgow, Glenwood (AU); **Ian**
Malcolm Smith, Westleigh (AU);
William Bonilla, Blacktown (AU)

OTHER PUBLICATIONS

Parent Application U.S. Appl. No. 29/251,427, filed Jan. 9, 2006,
Snow et al.
U.S. Appl. No. 29/257,528, filed Apr. 2006, Smith et al.

(73) Assignee: **ResMed Limited**, Bella Vista (AU)

Primary Examiner—Robin V Webster
(74) *Attorney, Agent, or Firm*—Nixon & Vanderhye P.C.

(**) Term: **14 Years**

(57) **CLAIM**

(21) Appl. No.: **29/274,232**

The ornamental design for a portion of a humidifier tub, as
shown and described.

(22) Filed: **Apr. 6, 2007**

DESCRIPTION

Related U.S. Application Data

(63) Continuation of application No. 29/251,427, filed on
Jan. 9, 2006, now Pat. No. Des. 544,591.

FIG. 1 is a perspective view of a portion of a humidifier tub
according to our design;

(51) **LOC (8) Cl.** **23-04**

(52) **U.S. Cl.** **D23/356**

(58) **Field of Classification Search** D23/356,
D23/358, 355, 364-5; 392/386, 405-6; 239/136;
261/DIG. 65; D24/110

FIG. 2 is a front view thereof;

FIG. 3 is a rear view thereof;

FIG. 4 is a top view thereof;

FIG. 5 is a bottom view thereof; and,

FIG. 6 is a right side view thereof with the left side view
thereof being a mirror image thereof.

See application file for complete search history.

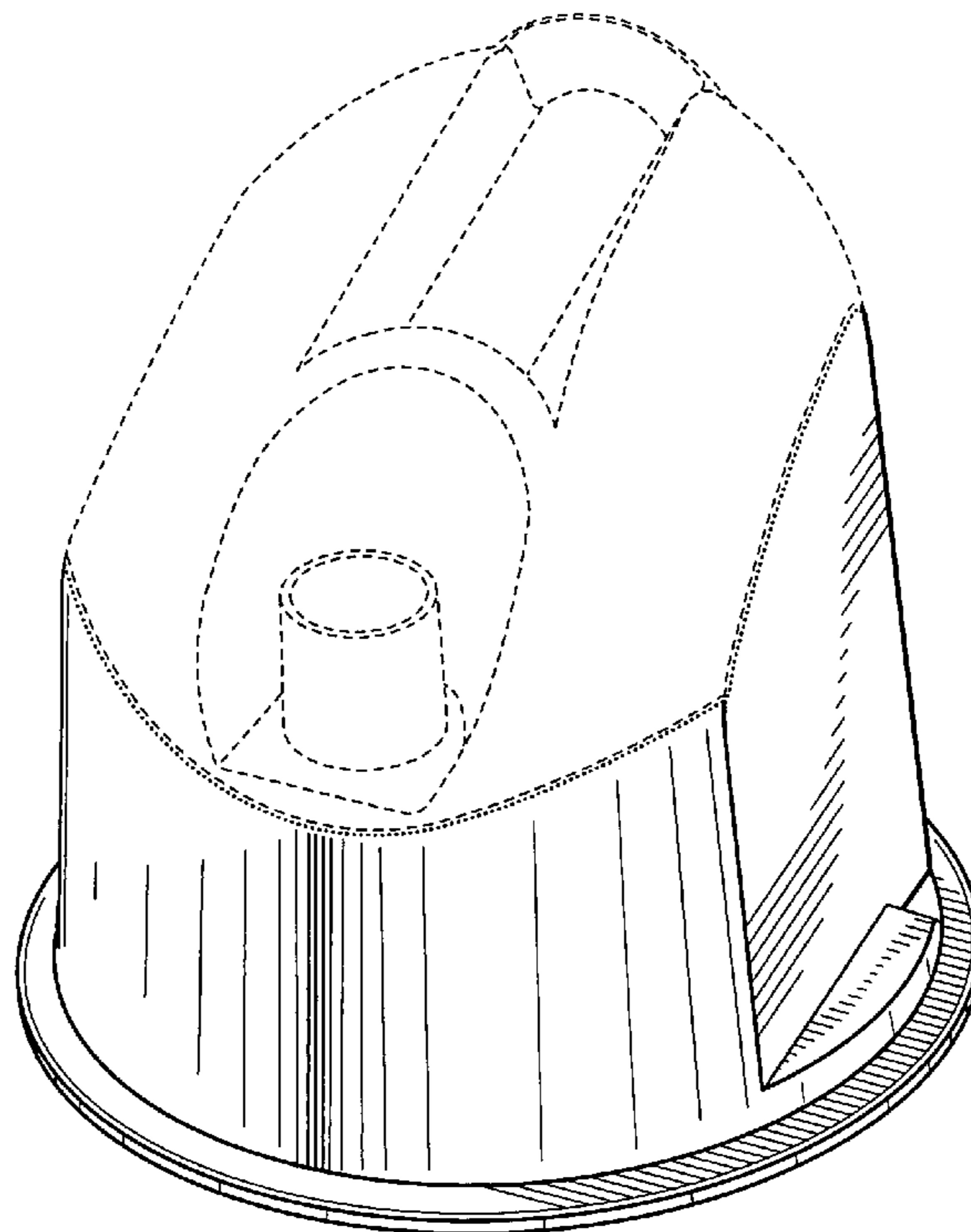
Where included, broken lines showing environment or struc-
ture are for illustrative purposes only and form no part of the
claimed design. Where included, dotted lines represent the
border between claimed and non-claimed subject matter and
form no part of the claimed design.

(56) **References Cited**

U.S. PATENT DOCUMENTS

D370,059 S 5/1996 Chiu et al.
D377,973 S 2/1997 Jane et al.
D385,343 S 10/1997 Chiu et al.

1 Claim, 4 Drawing Sheets



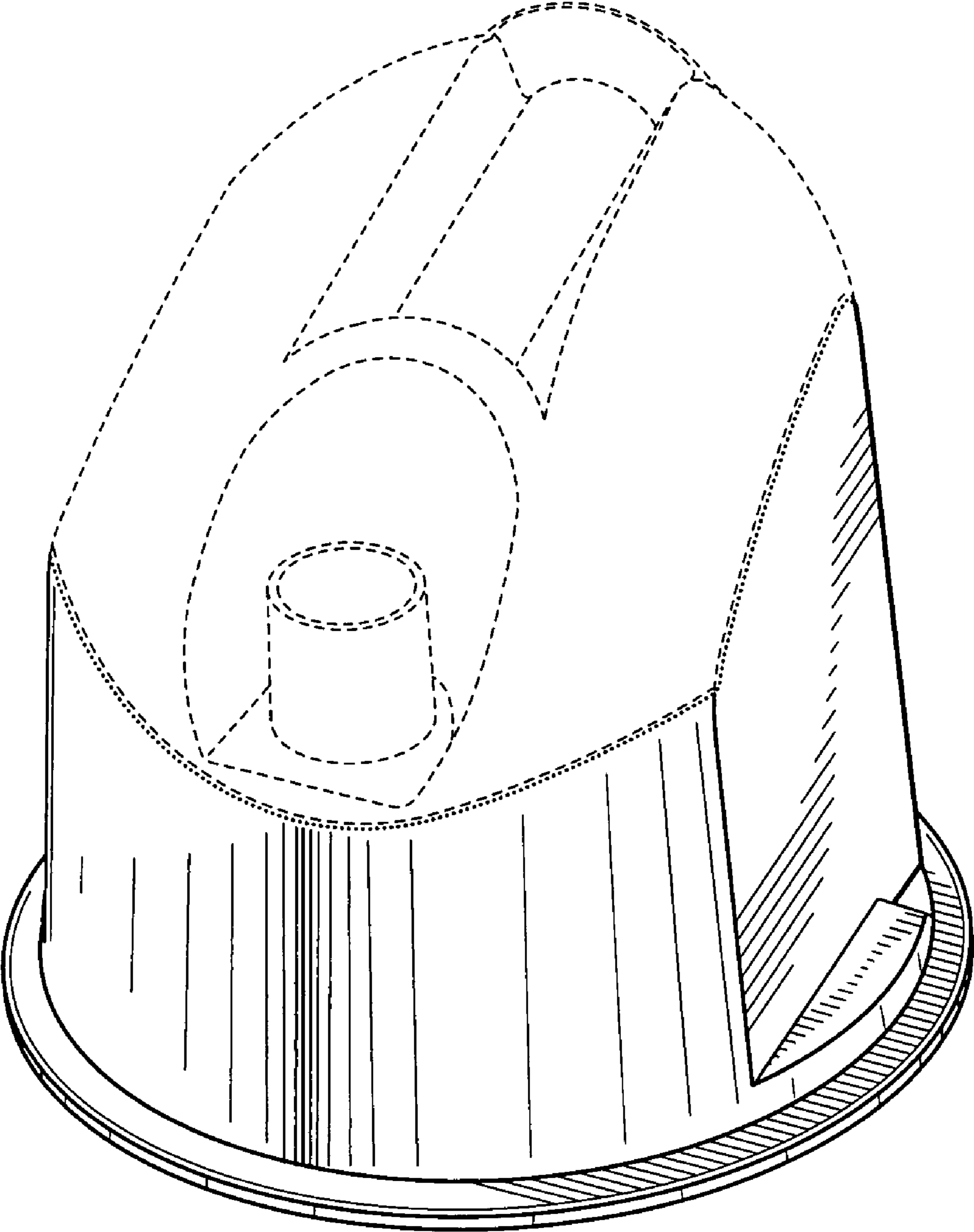


Fig. 1

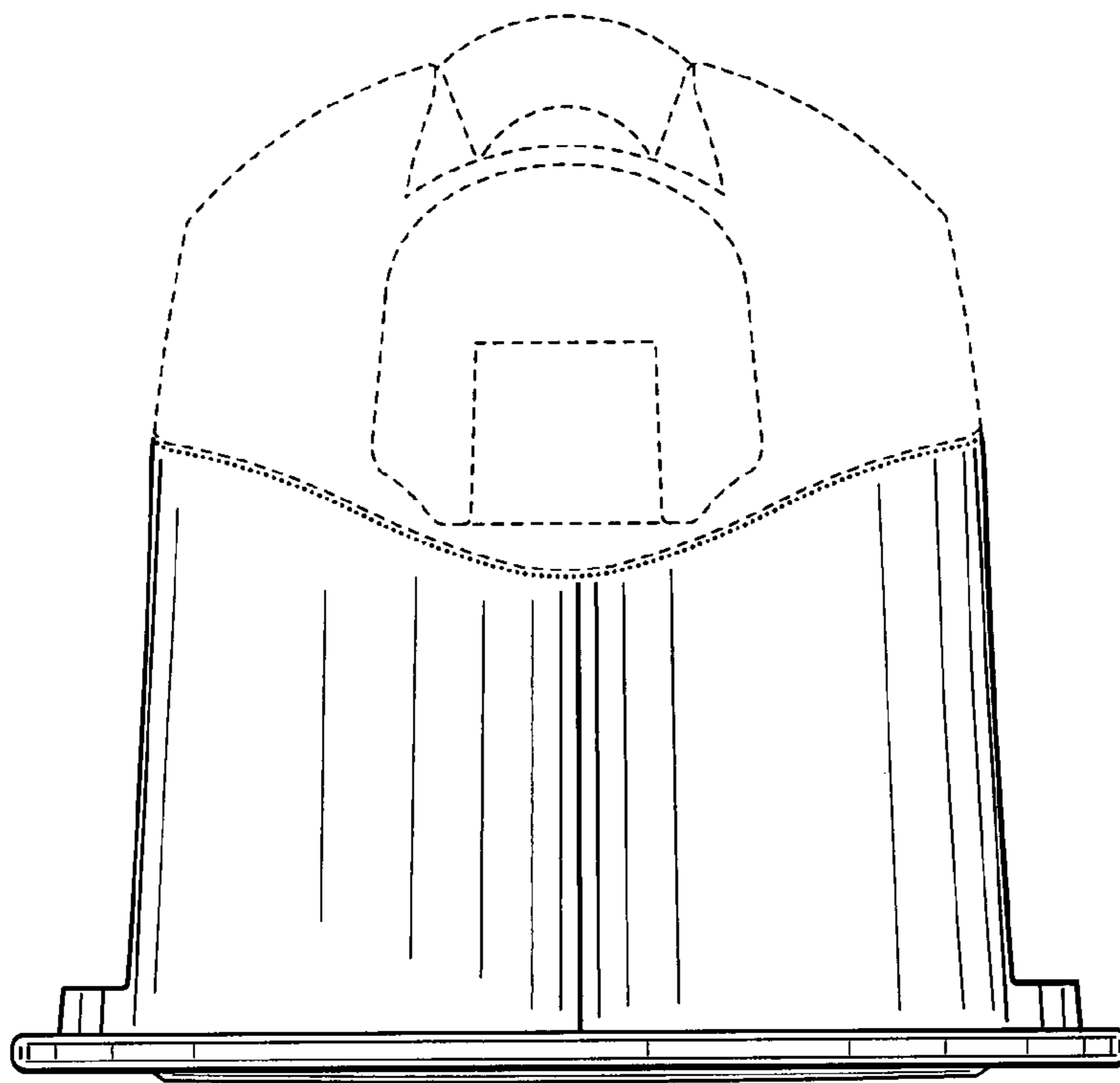


Fig. 2

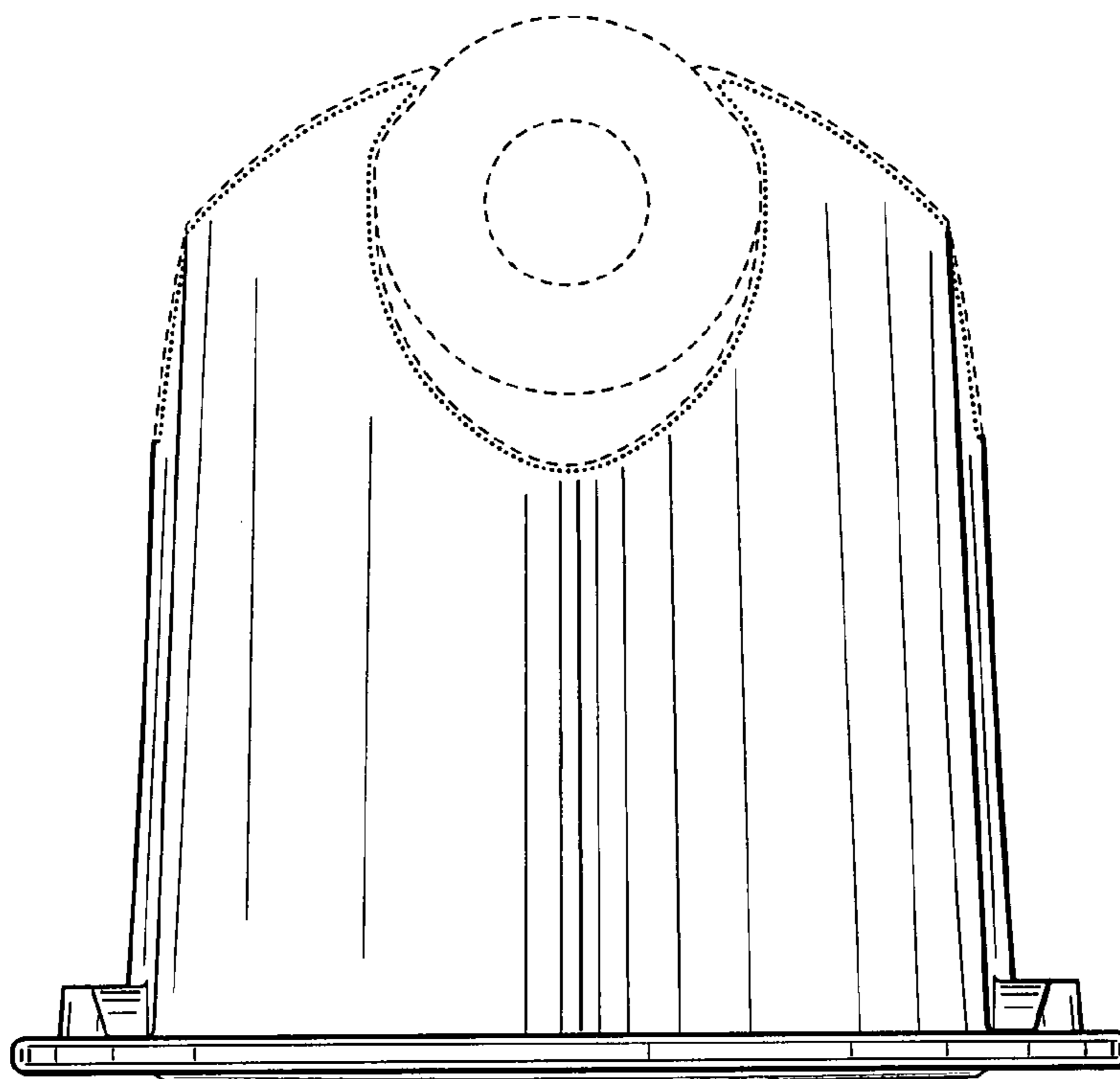


Fig. 3

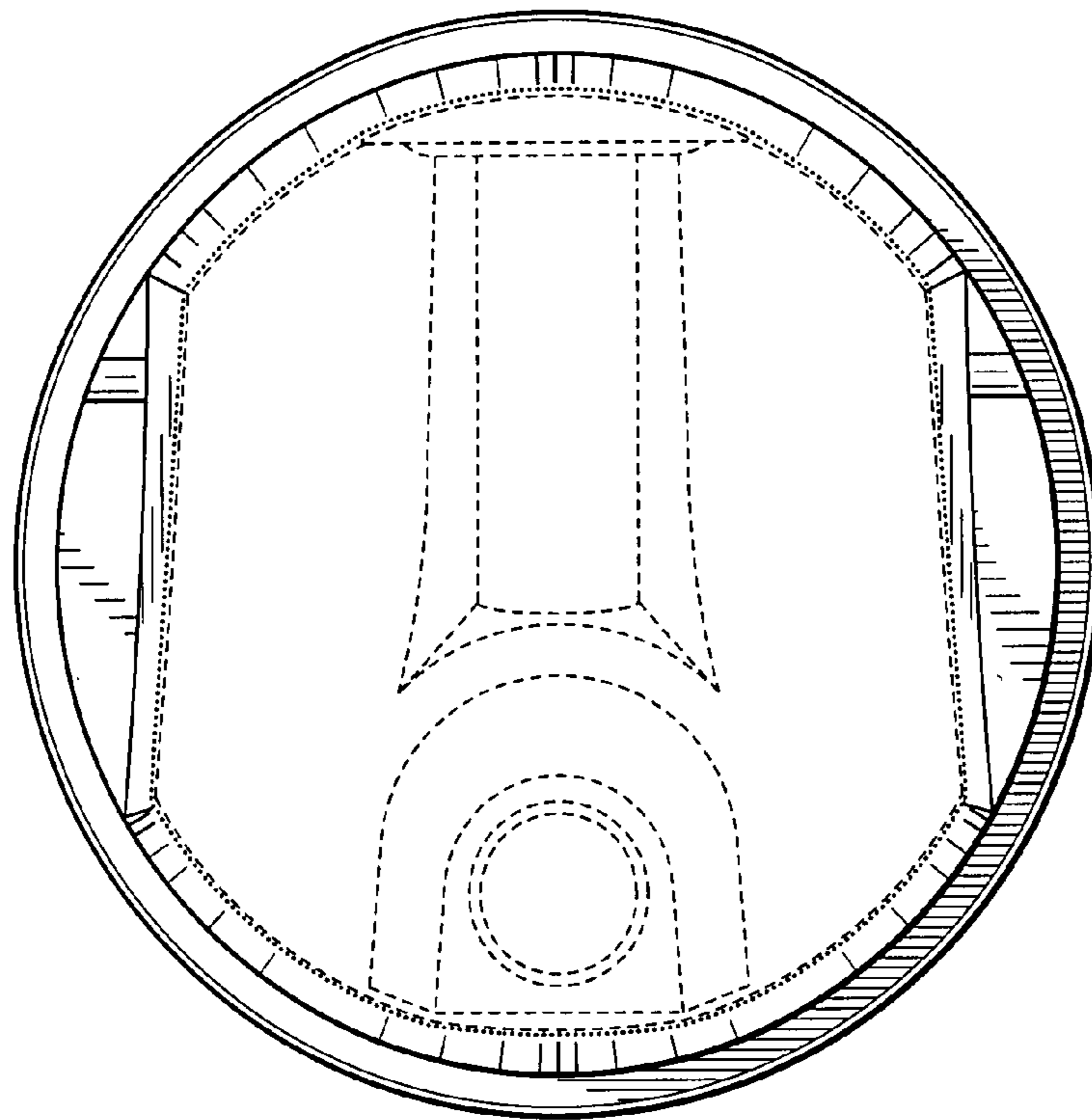


Fig. 4

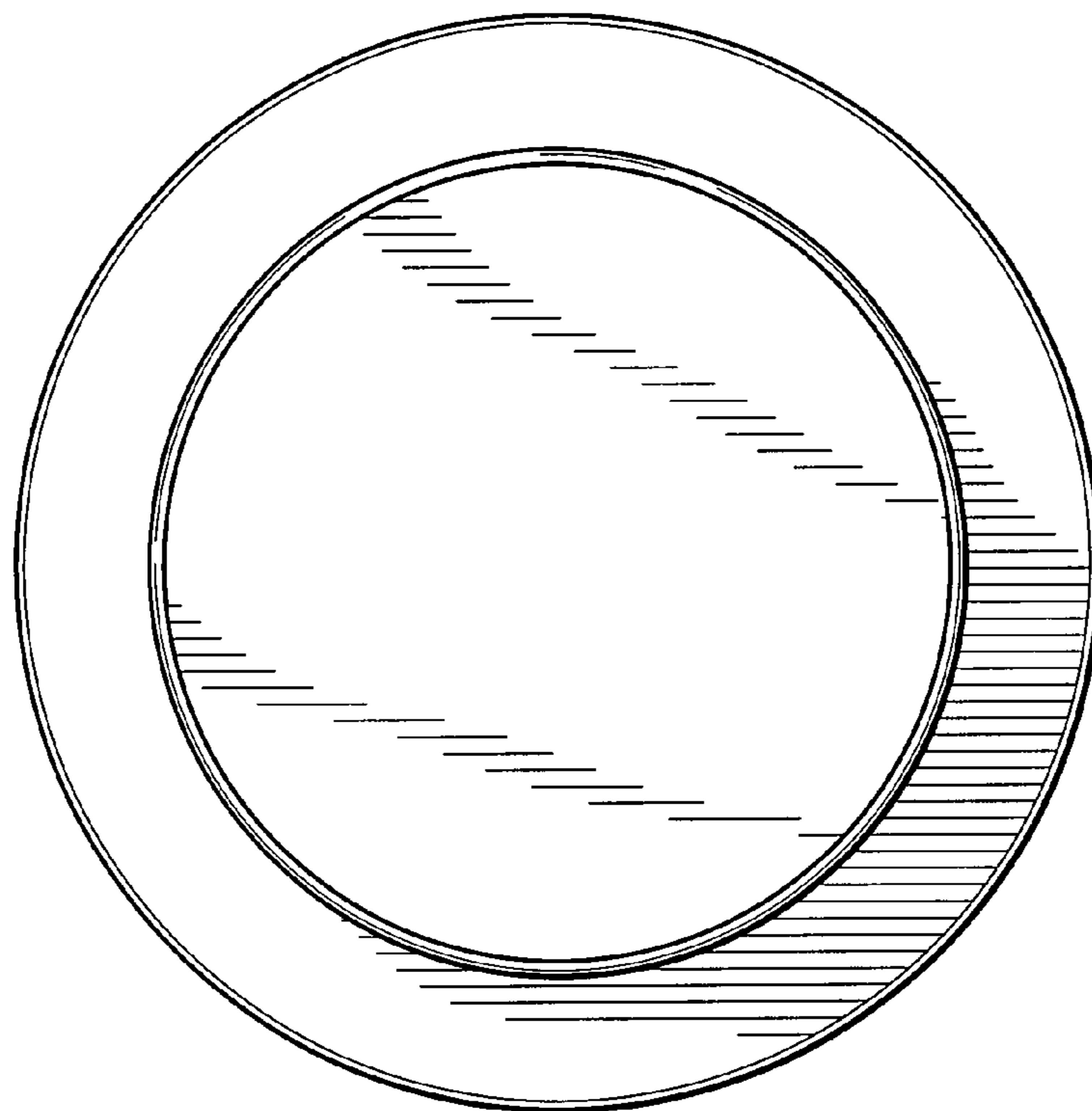


Fig. 5

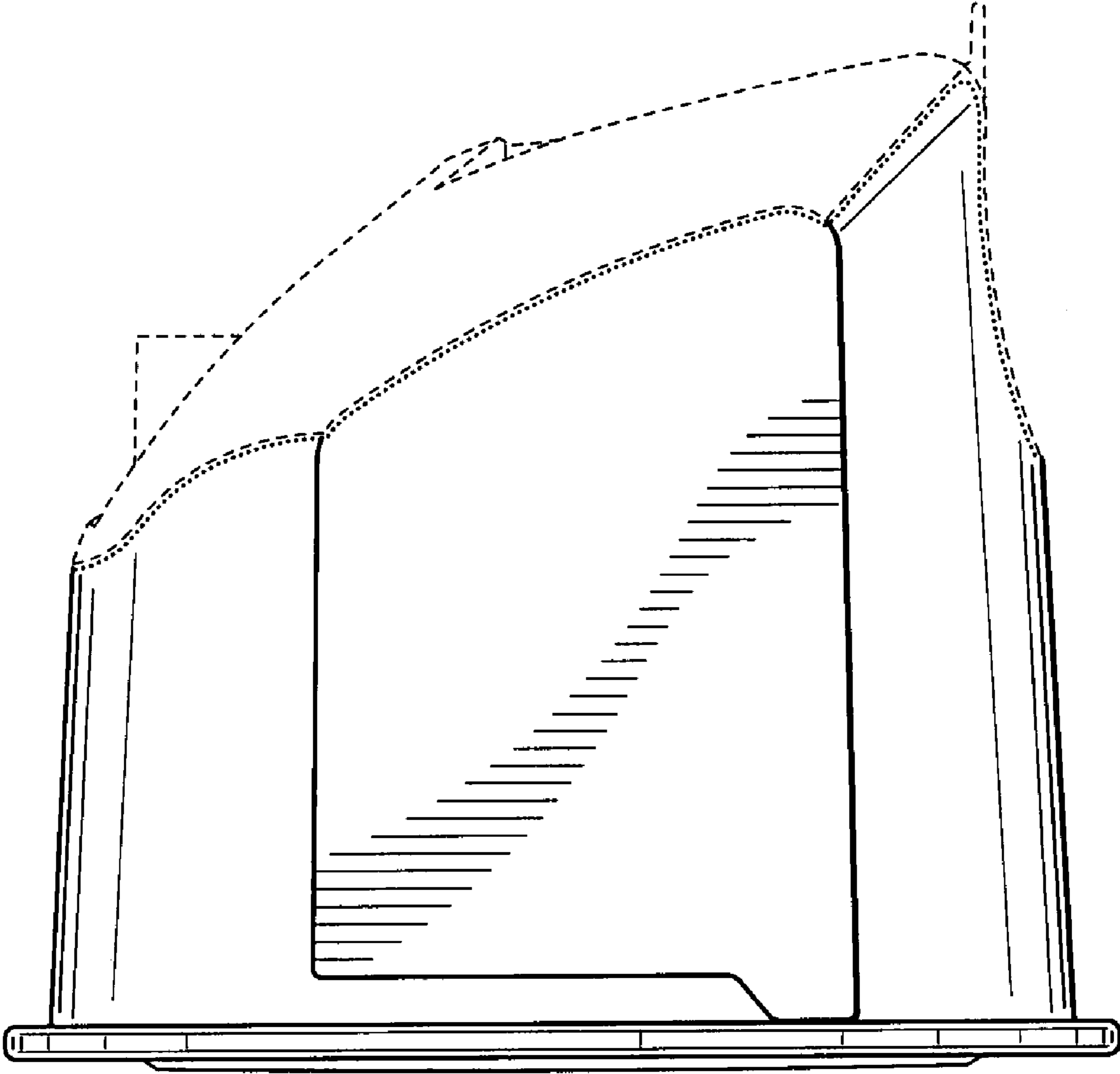


Fig. 6