



US00D559962S

(12) **United States Design Patent**
Dean et al.

(10) **Patent No.:** **US D559,962 S**
(45) **Date of Patent:** **** Jan. 15, 2008**

(54) **COMBINED PORTABLE HEATER AND TOOLBOX**

(75) Inventors: **Bob Dean**, Laurinburg, NC (US);
Dennis Neibrook, Florence, SC (US);
Bob Windmeyer, Laurinburg, NC (US);
Lee Joyner, Florence, SC (US); **Jeffrey A. White**, Pinehurst, NC (US); **Jim Garrigus**, Laurinburg, NC (US); **Frank L. Lockhart**, Florence, SC (US); **Colin O'Connell**, Pinehurst, NC (US); **Robert F. Deaver, II**, Tatum, SC (US)

(73) Assignee: **Marley Engineered Products, LLC**,
Bennettsville, SC (US)

(**) Term: **14 Years**

(21) Appl. No.: **29/271,687**

(22) Filed: **Jan. 25, 2007**

(51) **LOC (8) Cl.** **23-03**

(52) **U.S. Cl.** **D23/317; D23/314**

(58) **Field of Classification Search** D23/317,
D23/335, 332, 370, 381, 382, 329, 314, 328,
D23/330, 336, 339, 340, 342, 348, 352, 355,
D23/356, 362, 363, 364, 366, 375, 376, 385,
D23/390, 403, 414, 499, 353, 333, 334, 344,
D23/341; 392/358.365, 373-376, 366-369;
219/533; 312/236

See application file for complete search history.

(56) **References Cited**

U.S. PATENT DOCUMENTS

D104,085 S * 4/1937 Austin D23/328
D135,833 S * 6/1943 Holthouse D23/317

D186,793 S * 12/1959 Shimano D23/333
D200,374 S * 2/1965 Partanen D23/315
D203,785 S * 2/1966 Meisner D23/337
D249,544 S * 9/1978 Bonney D23/343
D254,864 S * 4/1980 Skabelund et al. D23/350
D313,069 S * 12/1990 McCormick D23/335
D337,592 S * 7/1993 Hider et al. D15/79
D346,855 S * 5/1994 Chiu D23/328
D358,636 S * 5/1995 Bucher et al. D23/335
7,190,887 B1 * 3/2007 Compton 392/365

* cited by examiner

Primary Examiner—Doris Clark

Assistant Examiner—Anna Dworzecka

(74) *Attorney, Agent, or Firm*—Baker & Hostetler LLP

(57) **CLAIM**

The ornamental design for a combined portable heater and toolbox, as shown and described.

DESCRIPTION

FIG. 1 is a perspective view of the combined portable heater and toolbox, particularly showing the inventive design thereof;

FIG. 2 is a front view thereof;

FIG. 3 is a rear view thereof;

FIG. 4 is a left side view thereof;

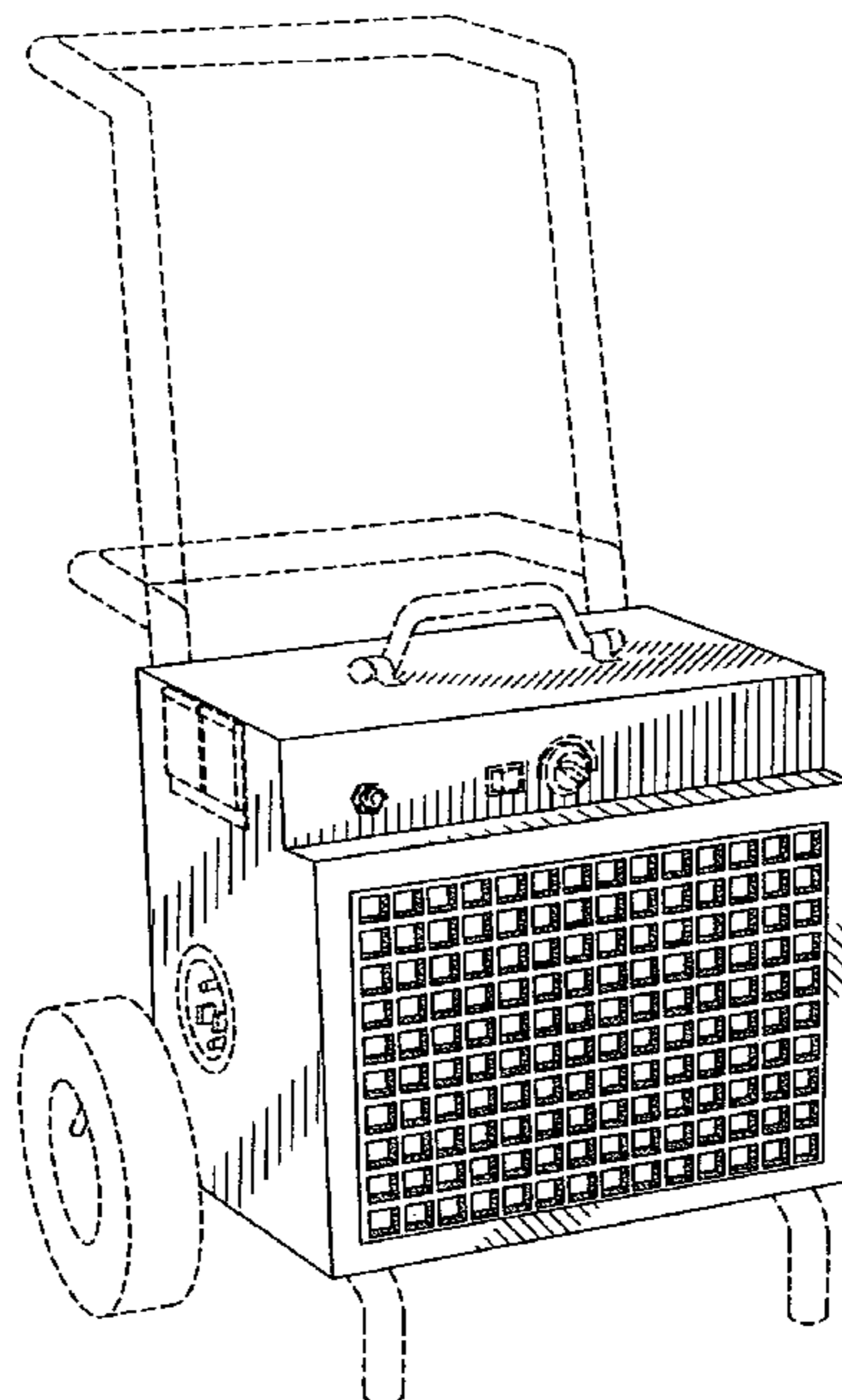
FIG. 5 is a right side view thereof;

FIG. 6 is a top view thereof; and,

FIG. 7 is a bottom view thereof.

The broken lines in the FIGS. are for illustrative purposes only and form no part of the claimed design.

1 Claim, 4 Drawing Sheets



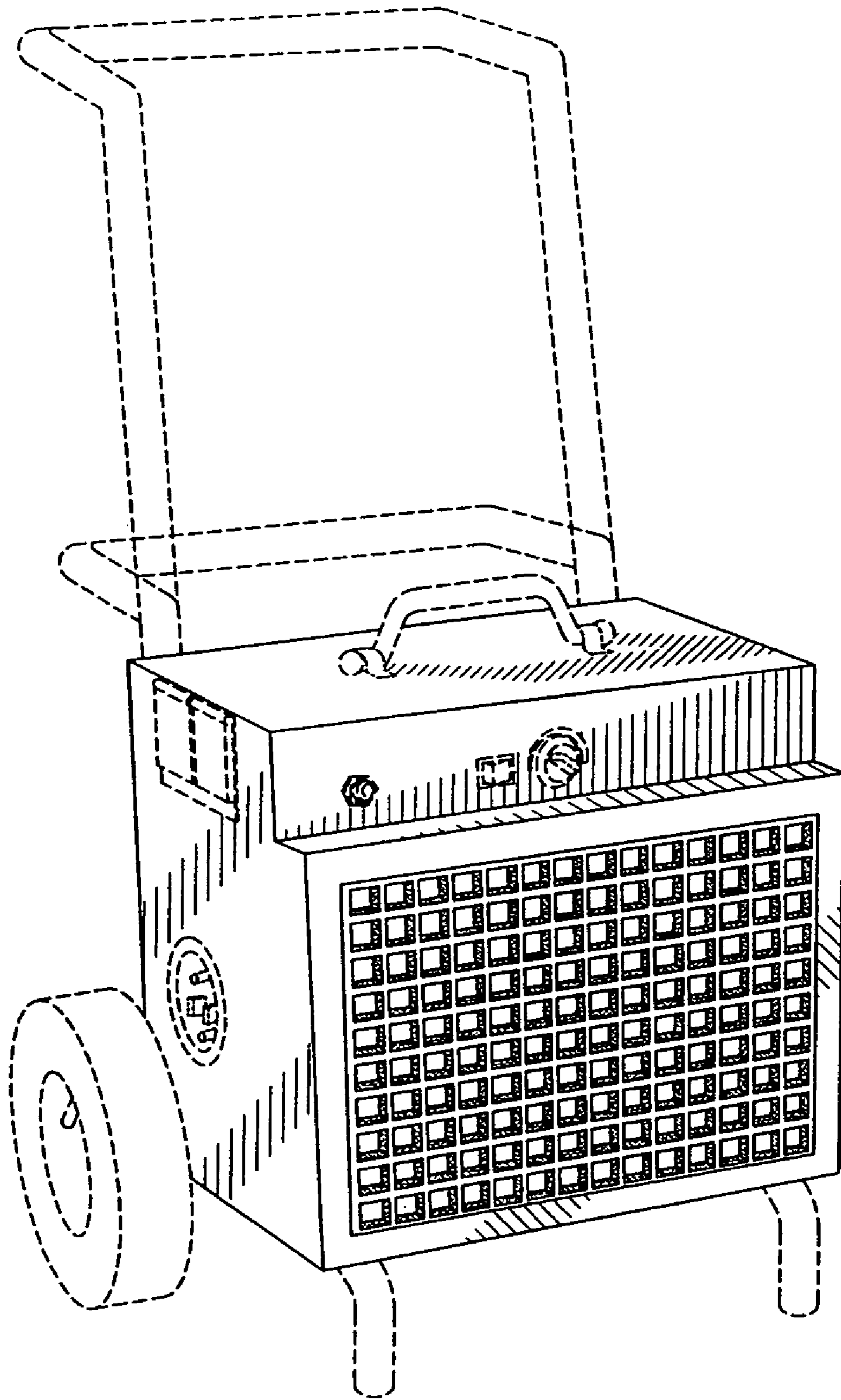


FIG. 1

FIG. 2

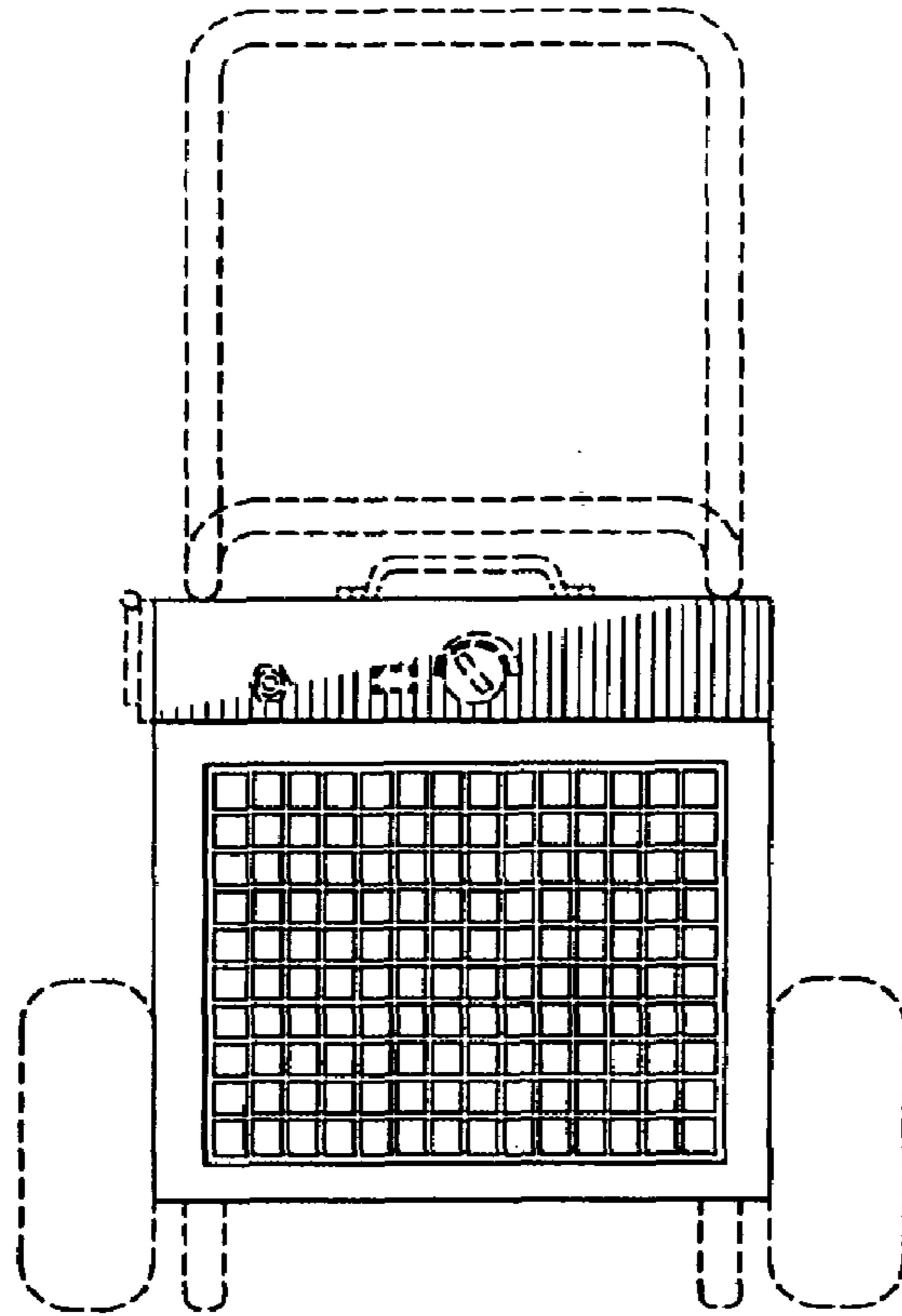
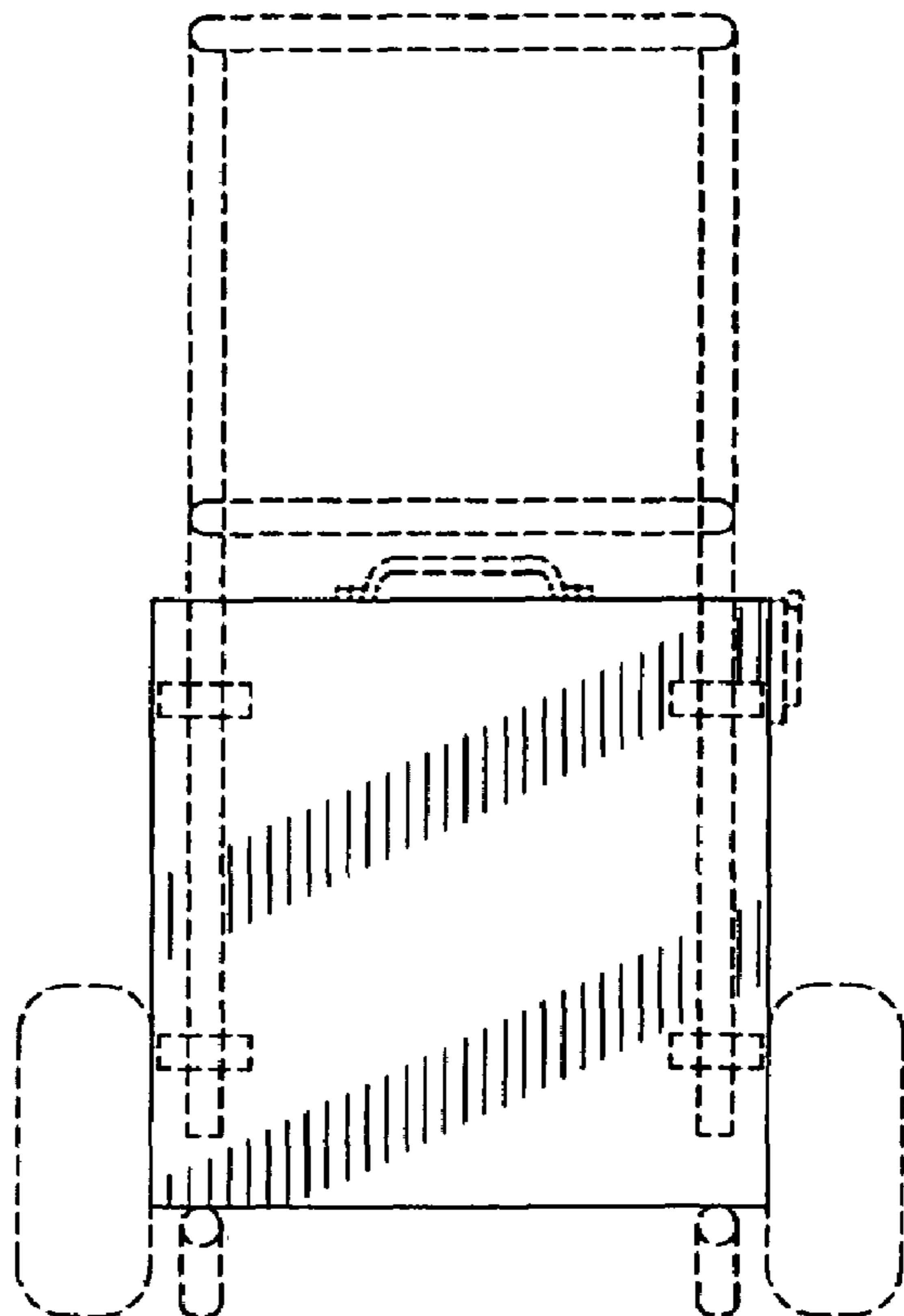


FIG. 3



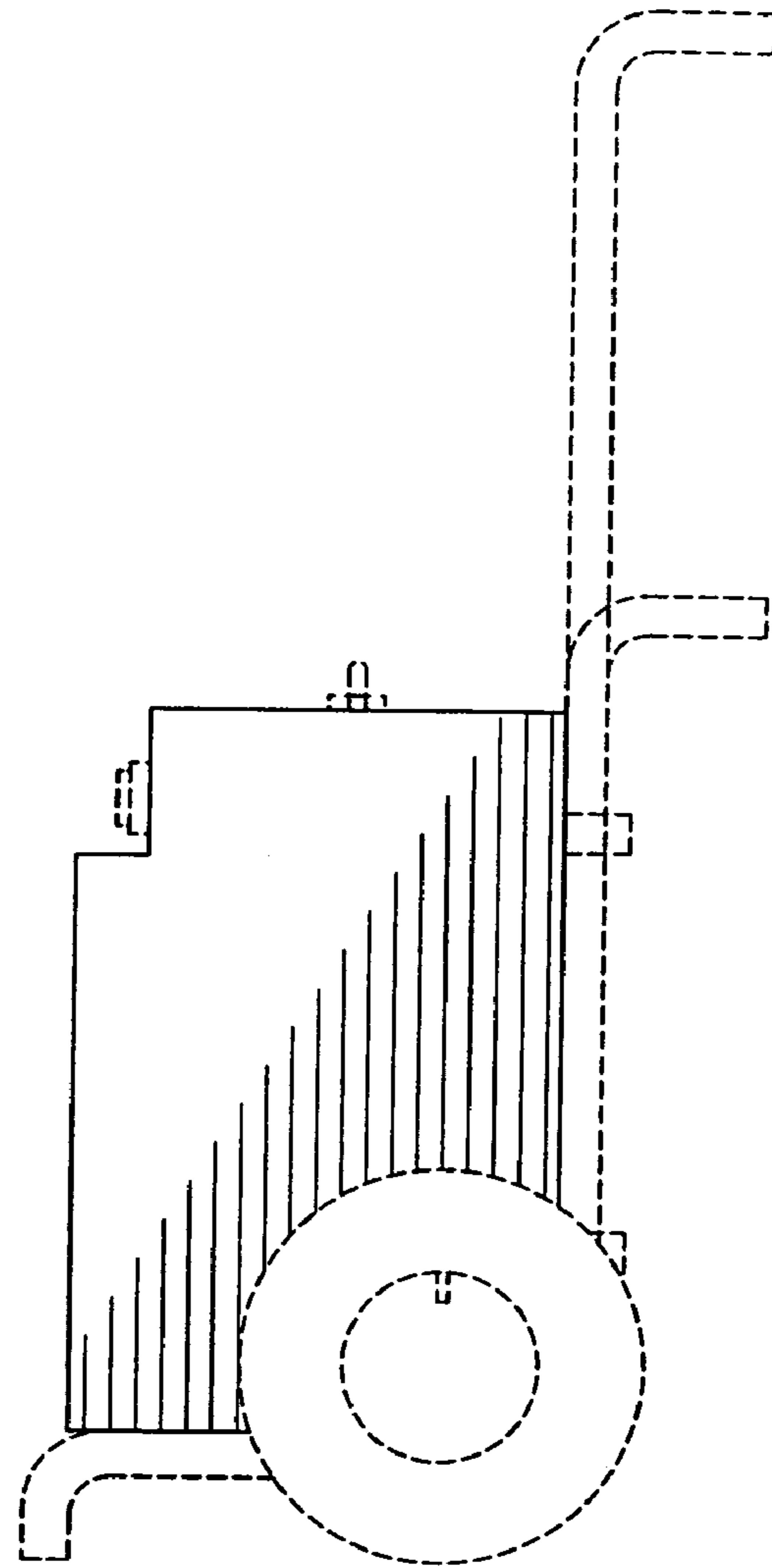
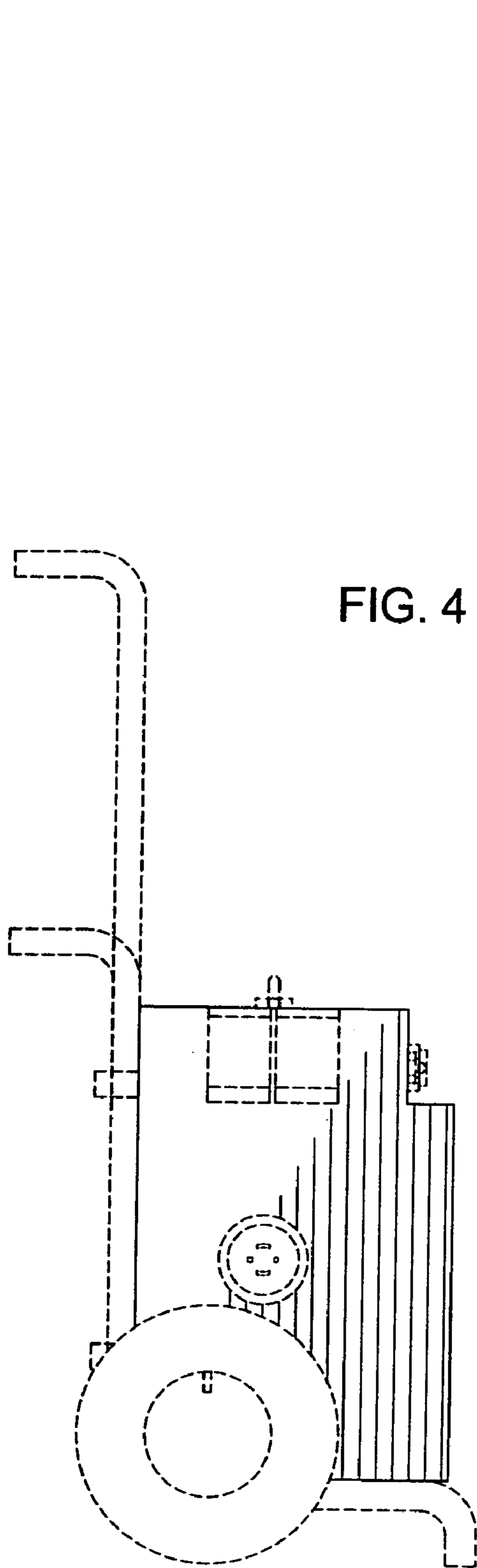


FIG. 4

FIG. 5

FIG. 6

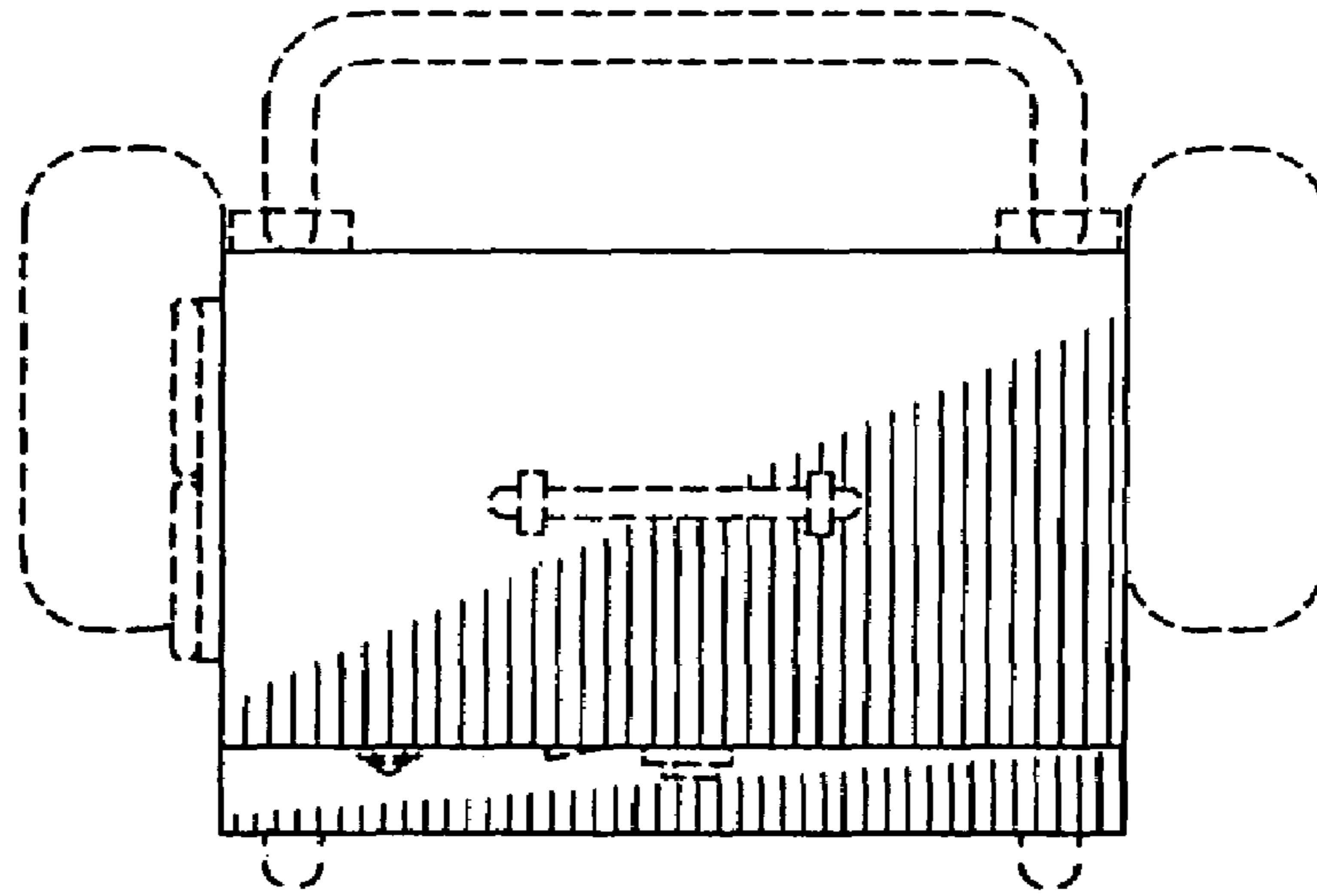


FIG. 7

