



US00D559959S

(12) **United States Design Patent**
Trangsrud

(10) **Patent No.:** **US D559,959 S**
(45) **Date of Patent:** **** Jan. 15, 2008**

(54) **SANITARY STORM AND CATCH BASIN TRAP**

(75) Inventor: **Julian P. Trangsrud**, Northfield, MN (US)

(73) Assignee: **Royal Concrete Pipe, Inc.**, Stacy, MN (US)

(**) Term: **14 Years**

(21) Appl. No.: **29/250,563**

(22) Filed: **Nov. 21, 2006**

(51) **LOC (8) Cl.** **23-01**

(52) **U.S. Cl.** **D23/268**

(58) **Field of Classification Search** D23/268;
210/170, 170.01, 170.03, 162-166, 474;
404/4-5

See application file for complete search history.

(56) **References Cited**

U.S. PATENT DOCUMENTS

6,270,663	B1 *	8/2001	Happel	210/163
6,872,029	B2 *	3/2005	Allard et al.	405/36
7,040,838	B2 *	5/2006	Allard et al.	405/36
7,132,045	B1	11/2006	Trangsrud	
2002/0048490	A1 *	4/2002	Allard et al.	405/43
2004/0065601	A1 *	4/2004	Martinez	210/97
2004/0232057	A1 *	11/2004	Orozco et al.	210/86
2004/0238424	A1 *	12/2004	Thompson	210/163
2005/0067338	A1 *	3/2005	Page	210/164
2005/0247612	A1 *	11/2005	Glassheim	210/163
2006/0102543	A1 *	5/2006	Peters et al.	210/170

2007/0110514 A1* 5/2007 Orser 404/4

* cited by examiner

Primary Examiner—Ian Simmons

Assistant Examiner—Eric L. Goodman

(74) *Attorney, Agent, or Firm*—Steven E. Kahm; Nikolai & Mersereau, P.A.

(57) **CLAIM**

The ornamental design for a sanitary storm and catch basin trap, as shown and described.

DESCRIPTION

FIG. 1 is an assembled oblique view of the sanitary storm and catch basin trap;

FIG. 2 is an exploded oblique view thereof with the fish mouth portion detached from the trap portion;

FIG. 3 is an exploded front view showing the fish mouth portion detached from the trap portion;

FIG. 4 is an exploded right side view showing the fish mouth portion detached from the trap portion;

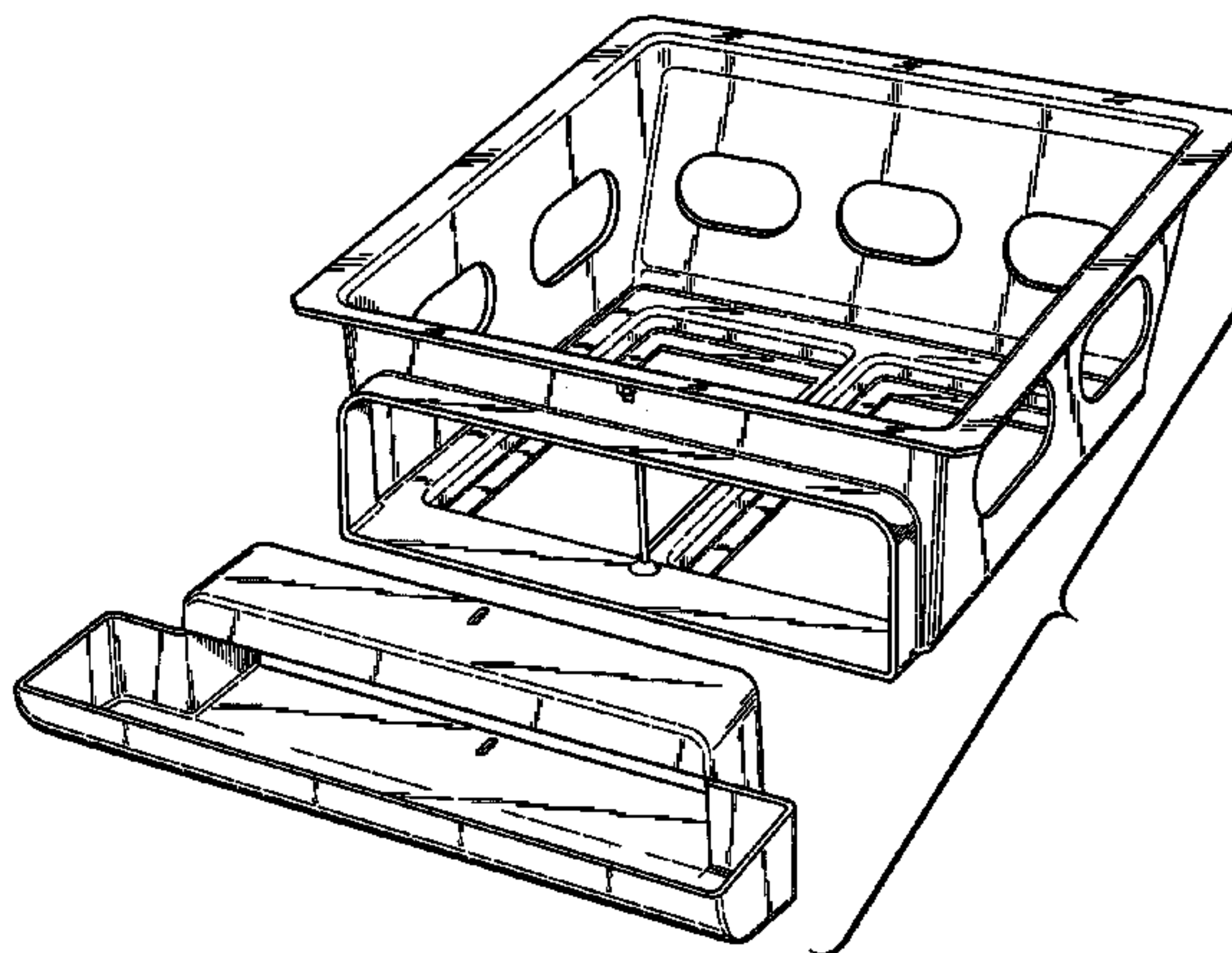
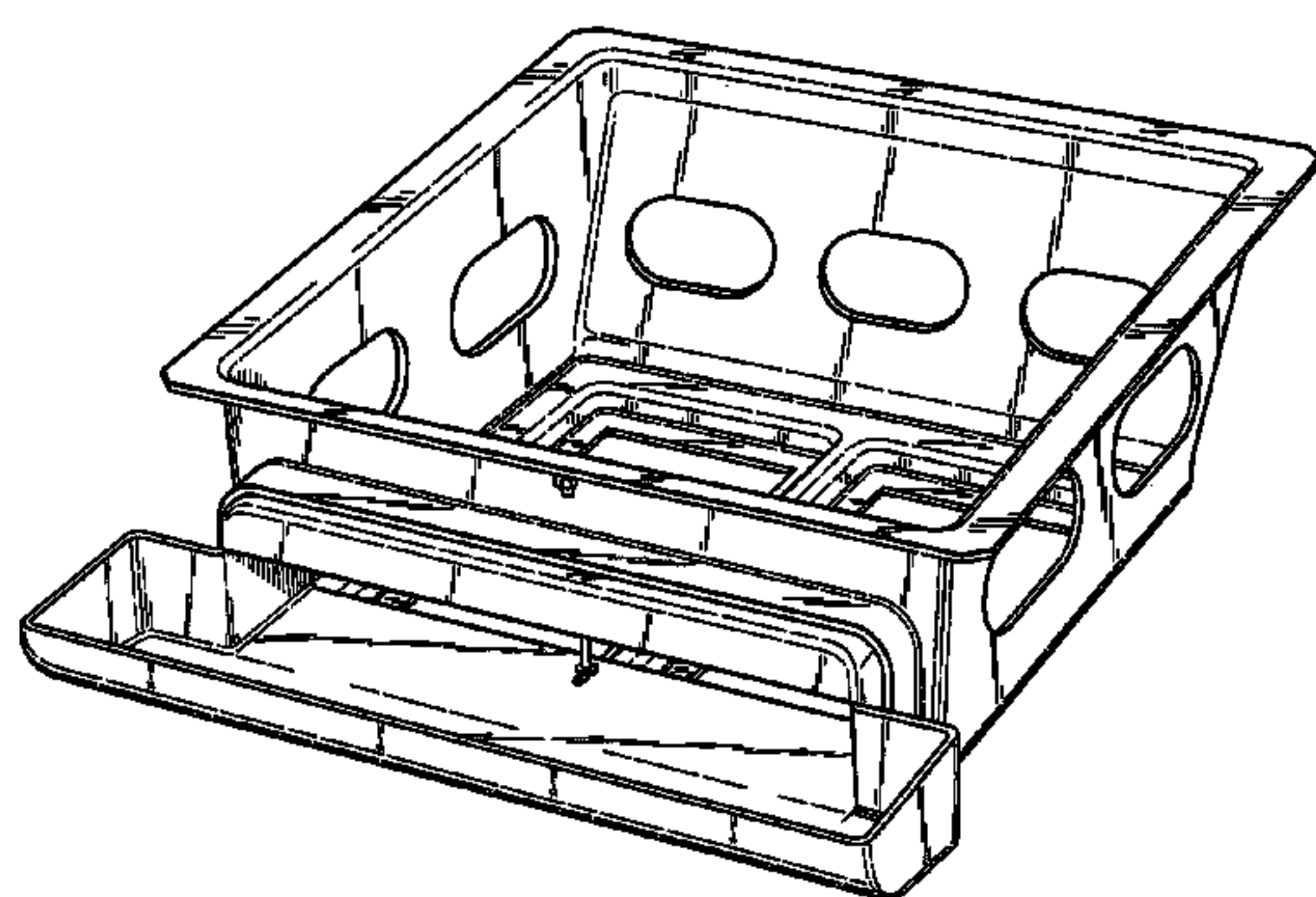
FIG. 5 is an exploded left side view showing the fish mouth portion detached from the trap portion;

FIG. 6 is an exploded top view showing the fish mouth portion detached from the trap portion;

FIG. 7 is an exploded rear view showing the fish mouth portion detached from the trap portion; and,

FIG. 8 is an exploded bottom view showing the fish mouth portion detached from the trap portion.

1 Claim, 4 Drawing Sheets



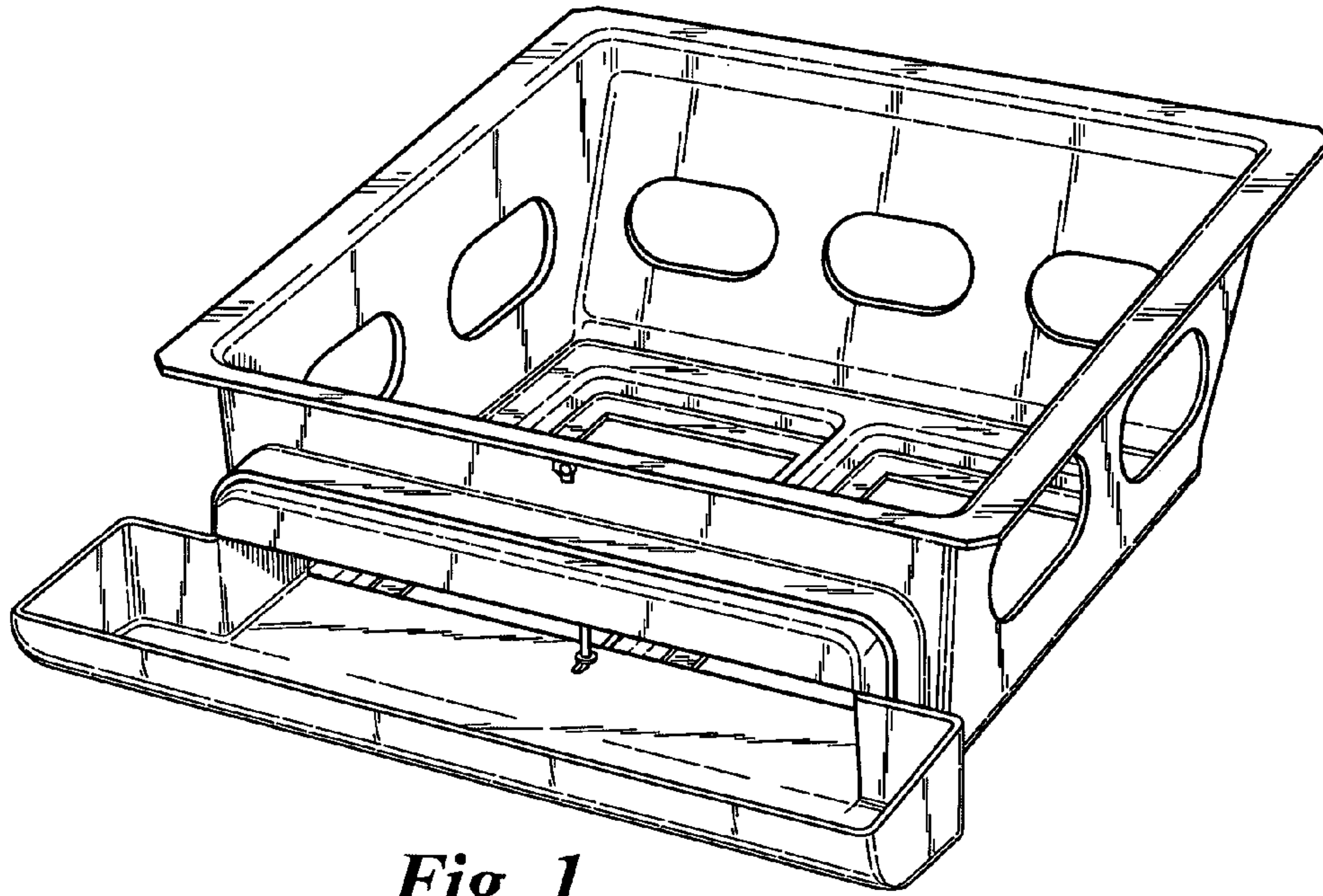


Fig. 1

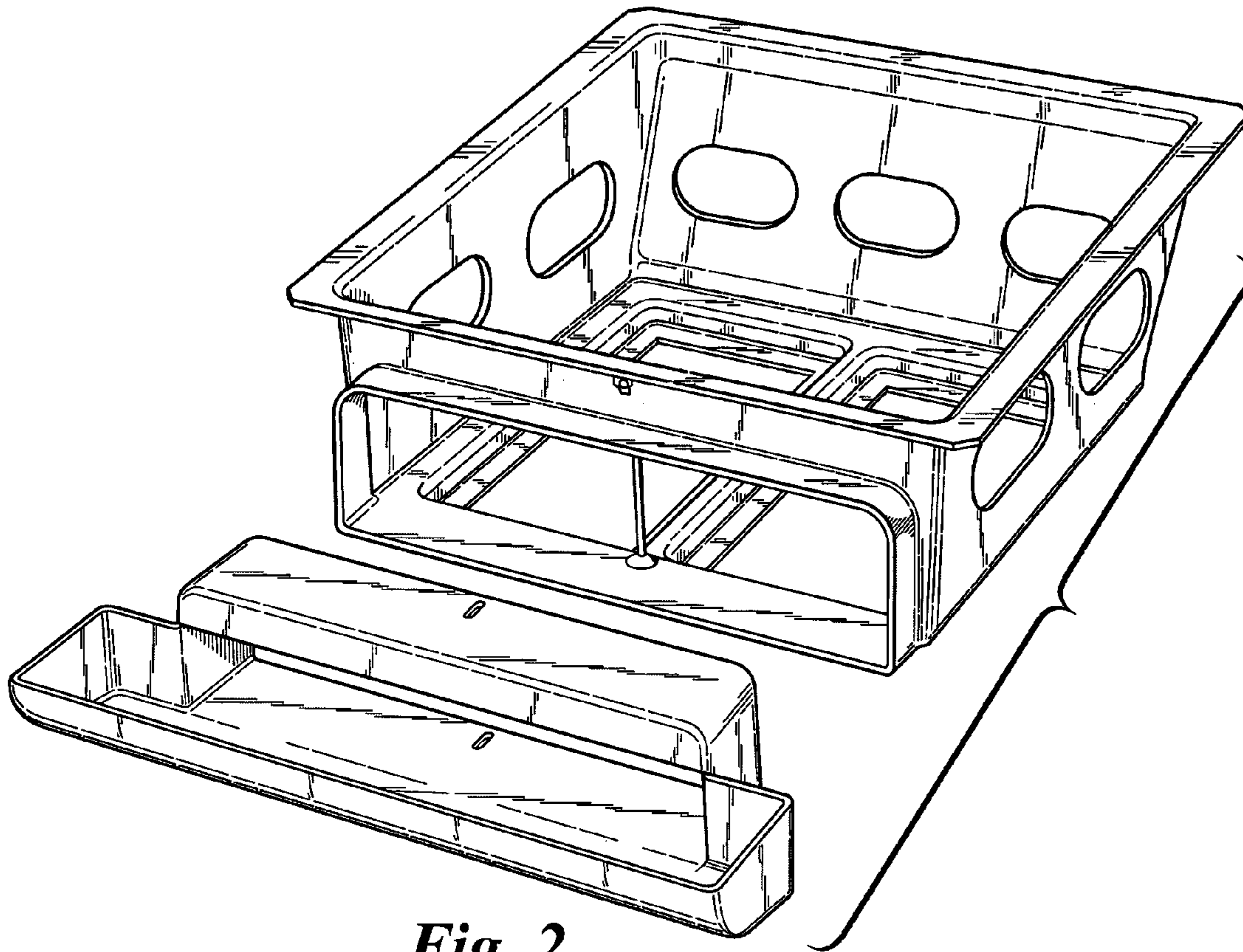


Fig. 2

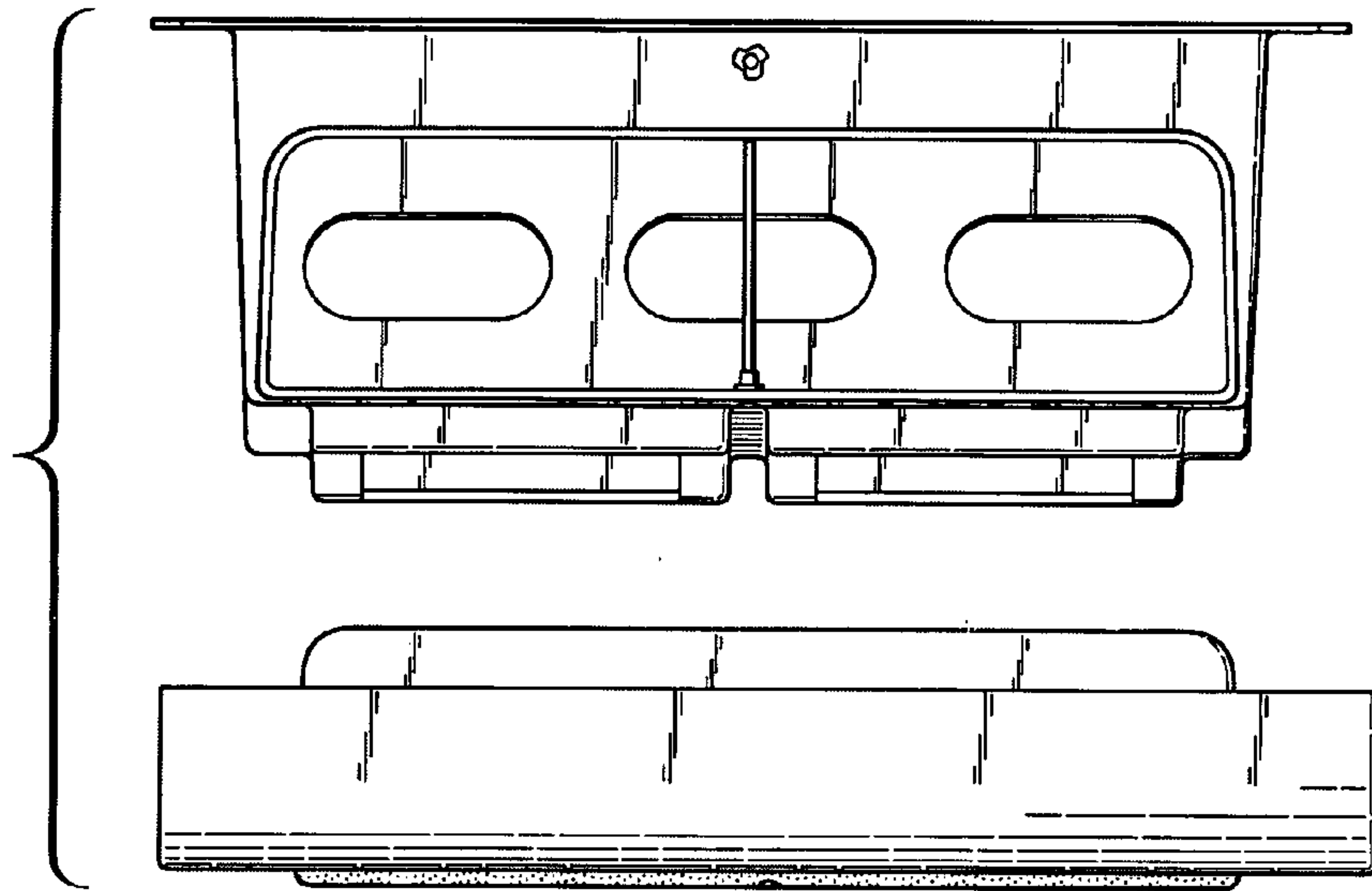


Fig. 3

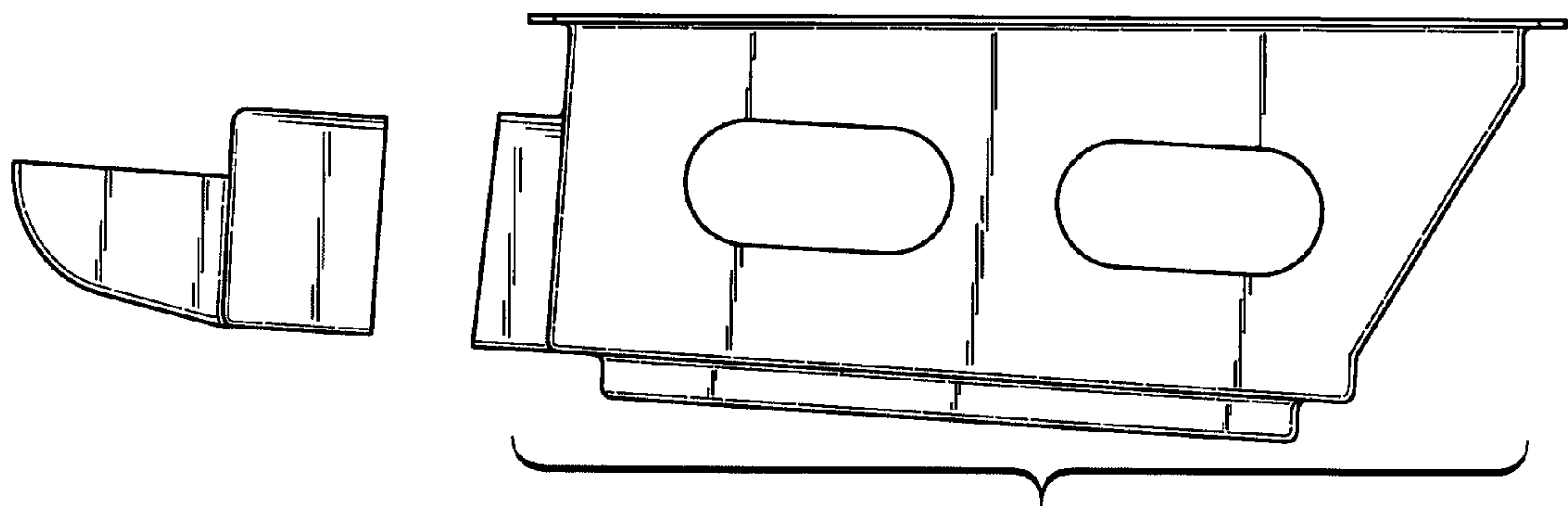


Fig. 4

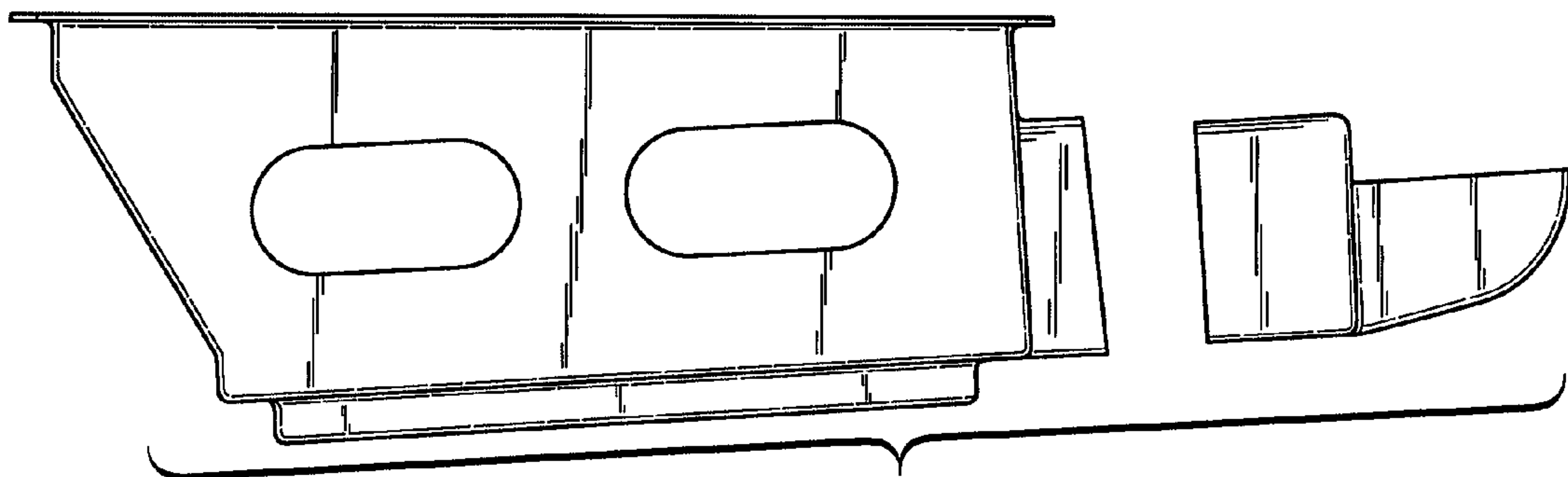


Fig. 5

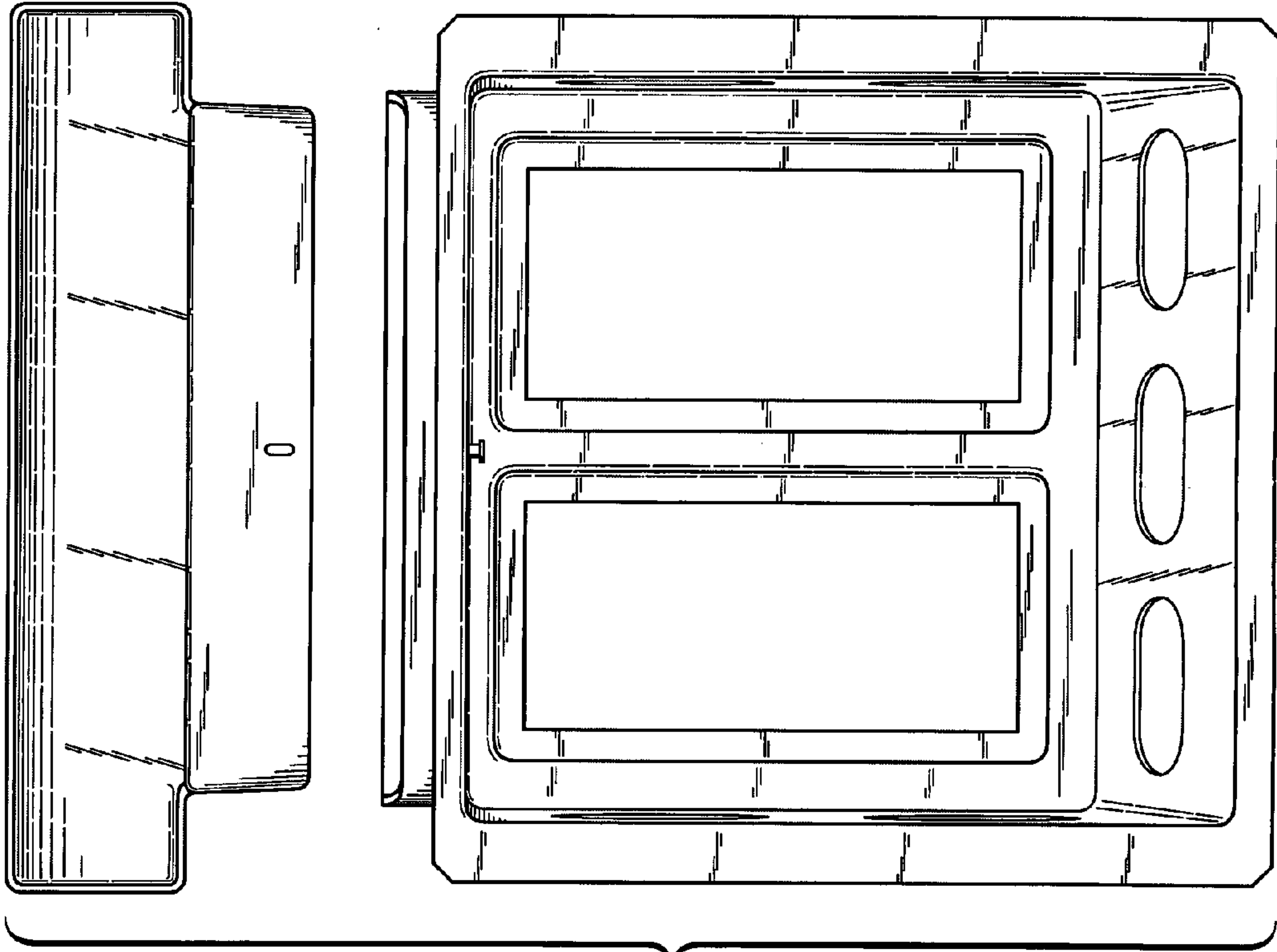


Fig. 6

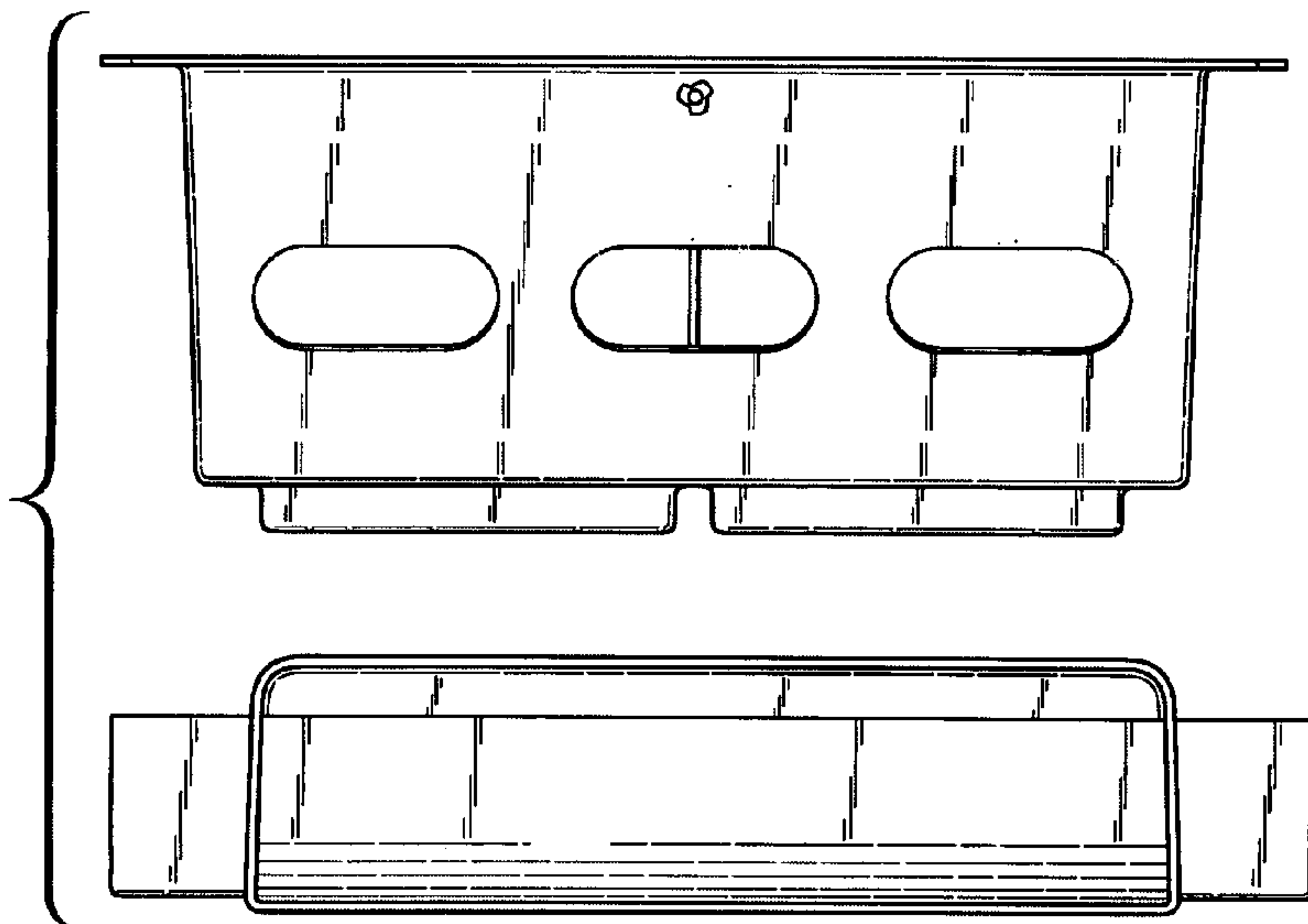


Fig. 7

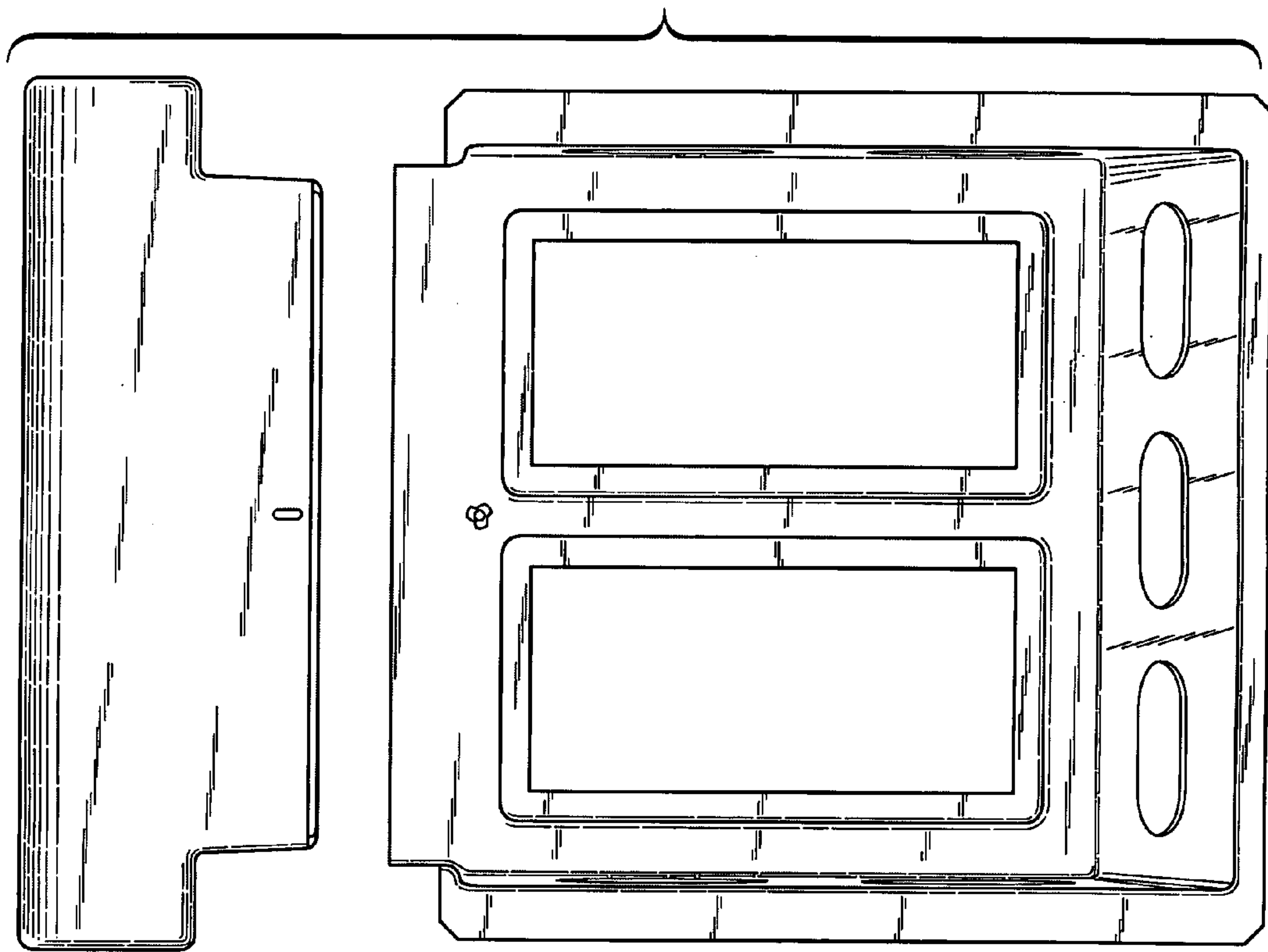


Fig. 8