



US00D559958S

(12) **United States Design Patent**
Trangsrud

(10) **Patent No.:** **US D559,958 S**

(45) **Date of Patent:** **** Jan. 15, 2008**

(54) **SANITARY STORM AND CATCH BASIN TRAP**

(75) Inventor: **Julian P. Trangsrud**, Northfield, MN (US)

(73) Assignee: **Royal Concrete Pipe, Inc.**, Stacy, MN (US)

(**) Term: **14 Years**

(21) Appl. No.: **29/250,561**

(22) Filed: **Nov. 21, 2006**

(51) **LOC (8) Cl.** **23-01**

(52) **U.S. Cl.** **D23/268**

(58) **Field of Classification Search** D23/268;
210/170, 170.01, 170.03, 162-166, 474;
404/4-5

See application file for complete search history.

(56) **References Cited**

U.S. PATENT DOCUMENTS

3,042,210	A *	7/1962	Hattori	210/163
4,578,188	A *	3/1986	Cousino	405/87
4,776,722	A *	10/1988	Gaudin	404/25
5,733,444	A *	3/1998	Johnson	210/163
7,132,045	B1 *	11/2006	Trangsrud	210/163
2003/0057148	A1 *	3/2003	Zuk	210/445
2005/0103694	A1 *	5/2005	Rost et al.	210/164
2005/0279709	A1 *	12/2005	Peters et al.	210/691
2006/0102543	A1 *	5/2006	Peters et al.	210/170

* cited by examiner

Primary Examiner—Ian Simmons

Assistant Examiner—Eric L Goodman

(74) *Attorney, Agent, or Firm*—Steven E. Kahm; Nikolai & Mersereau, P.A.

(57) **CLAIM**

The ornamental design for a “sanitary storm and catch basin trap,” as shown and described.

DESCRIPTION

FIG. 1 is an oblique view of a sanitary storm and catch basin trap having a fish mouth attachment;

FIG. 2 is an oblique view thereof showing the fish mouth portion detached from the trap portion;

FIG. 3 is a front view showing the trap portion and the fish mouth portion;

FIG. 4 is a right side view showing the fish mouth portion detached from the trap portion;

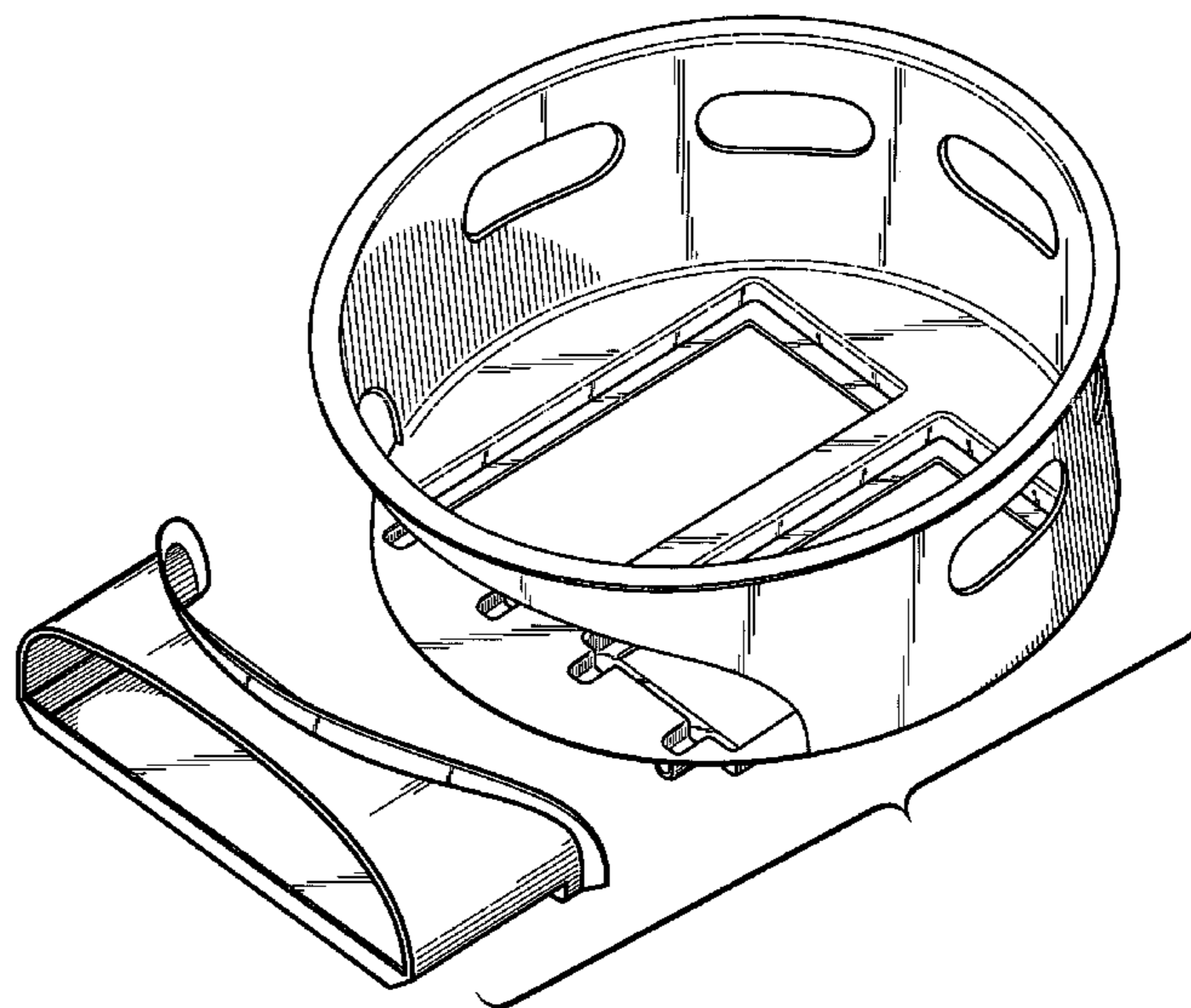
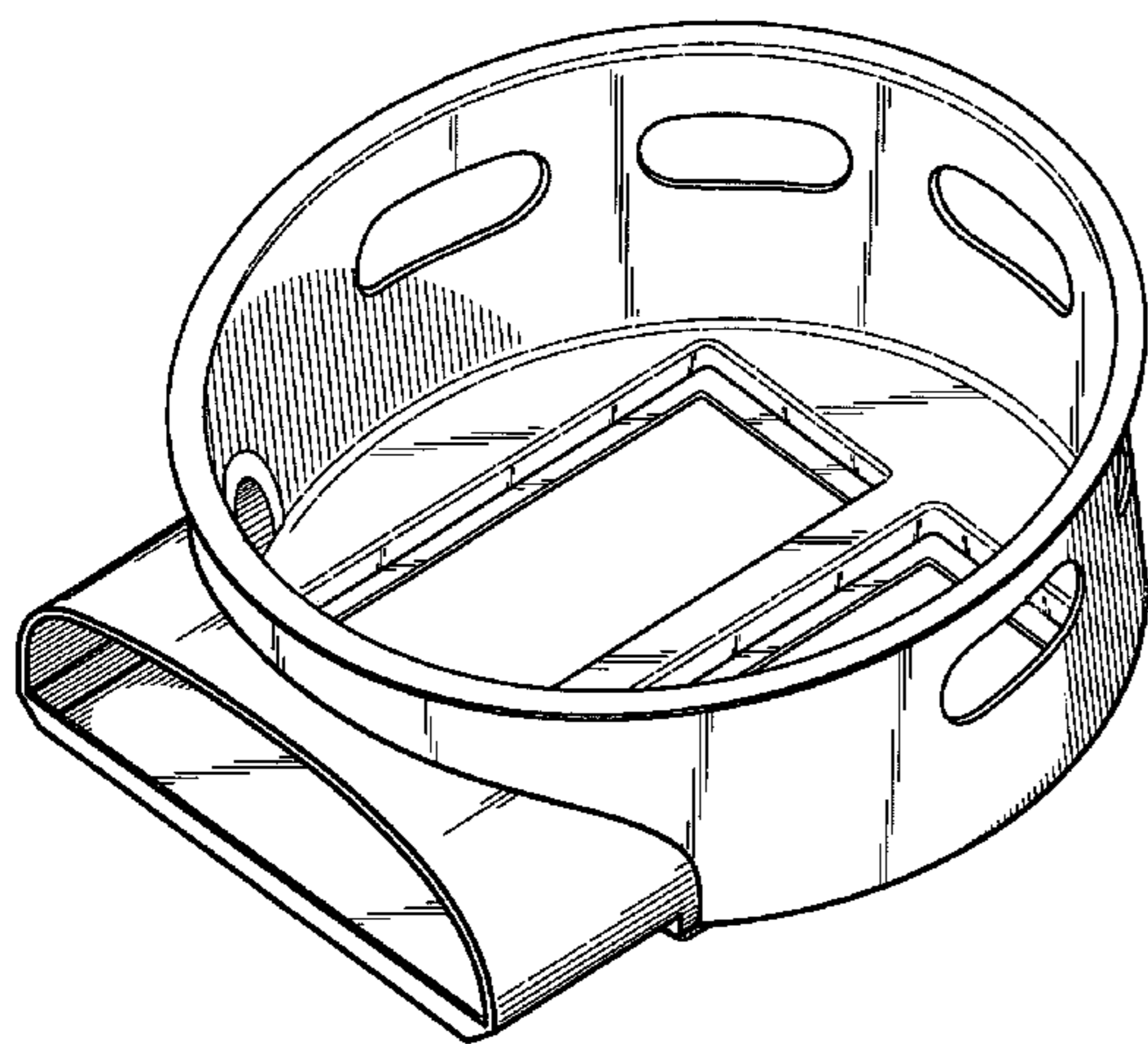
FIG. 5 is a left side view showing the fish mouth portion detached from the trap portion;

FIG. 6 is a top view showing the fish mouth portion detached from the trap portion;

FIG. 7 is a rear view showing the fish mouth portion detached from the trap portion; and,

FIG. 8 is a bottom view showing the fish mouth portion detached from the trap portion.

1 Claim, 5 Drawing Sheets



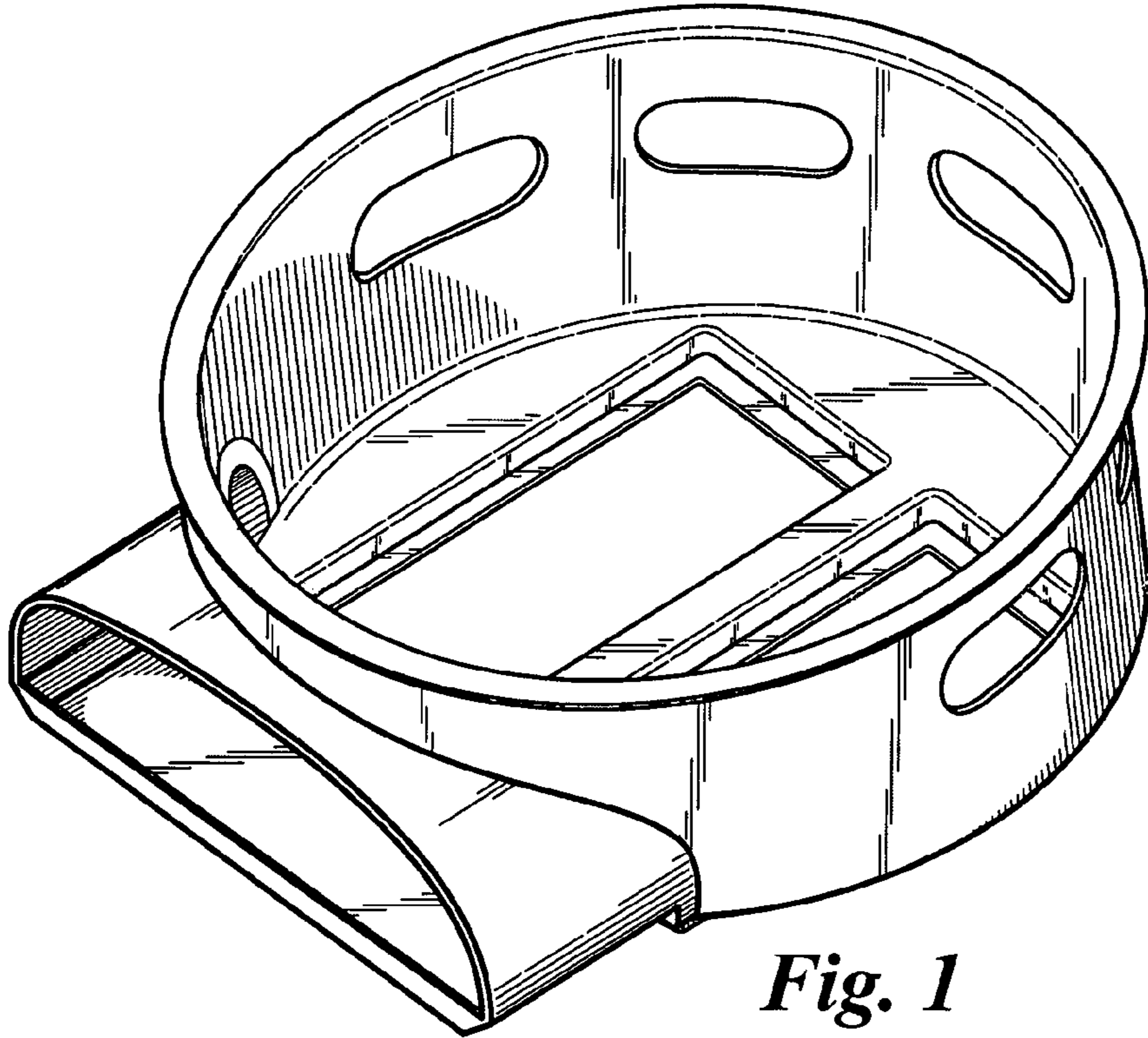


Fig. 1

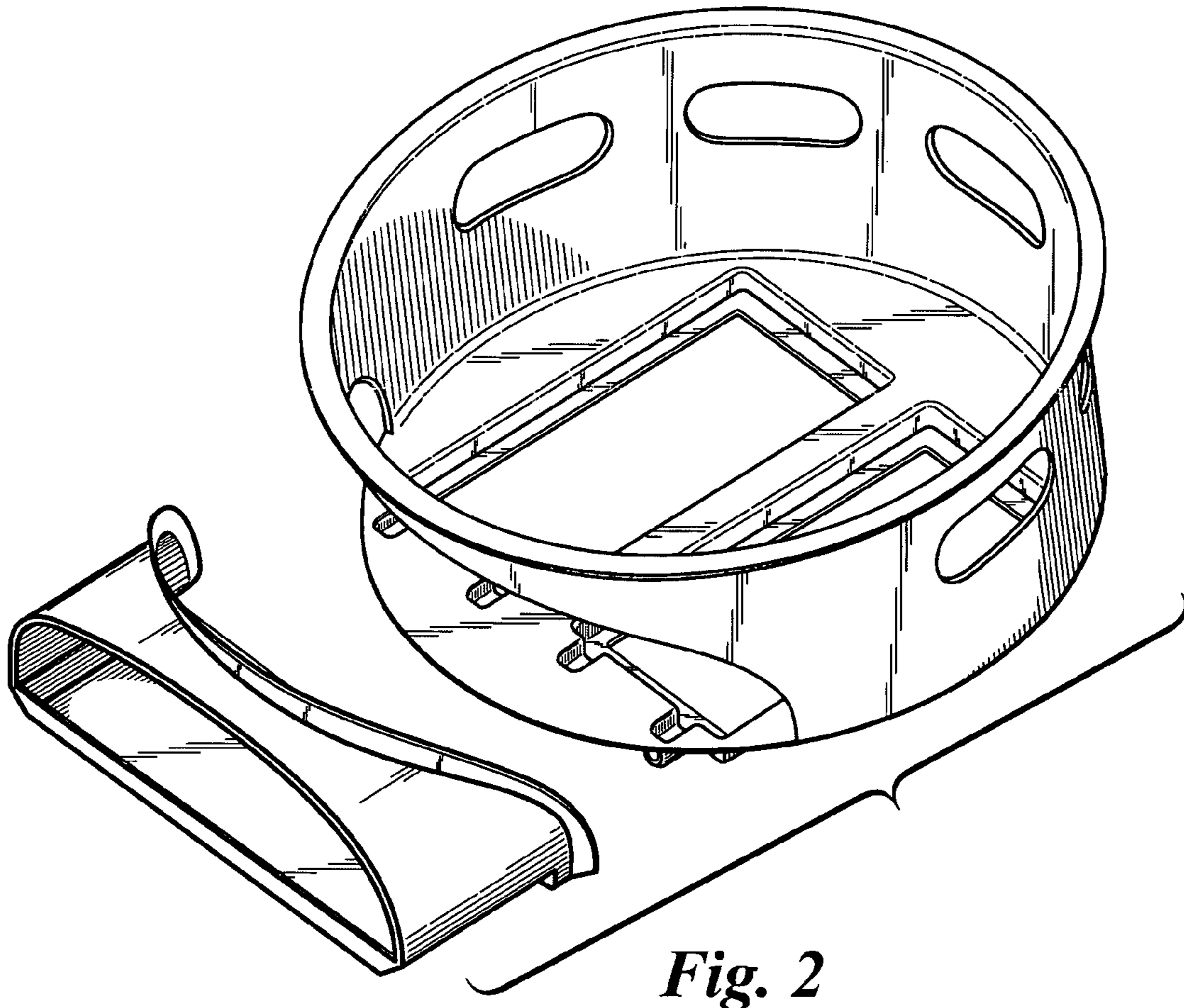


Fig. 2

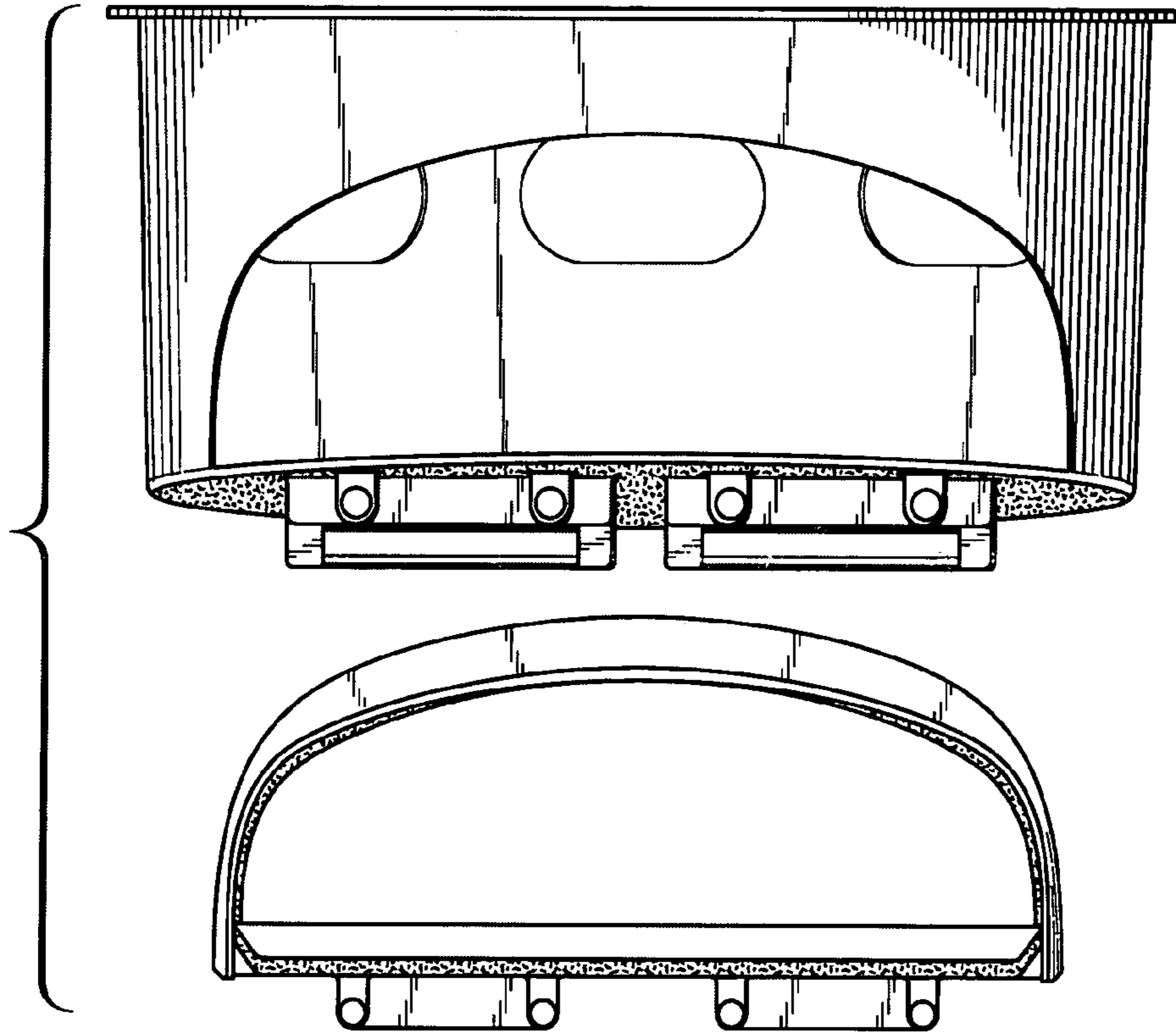


Fig. 3

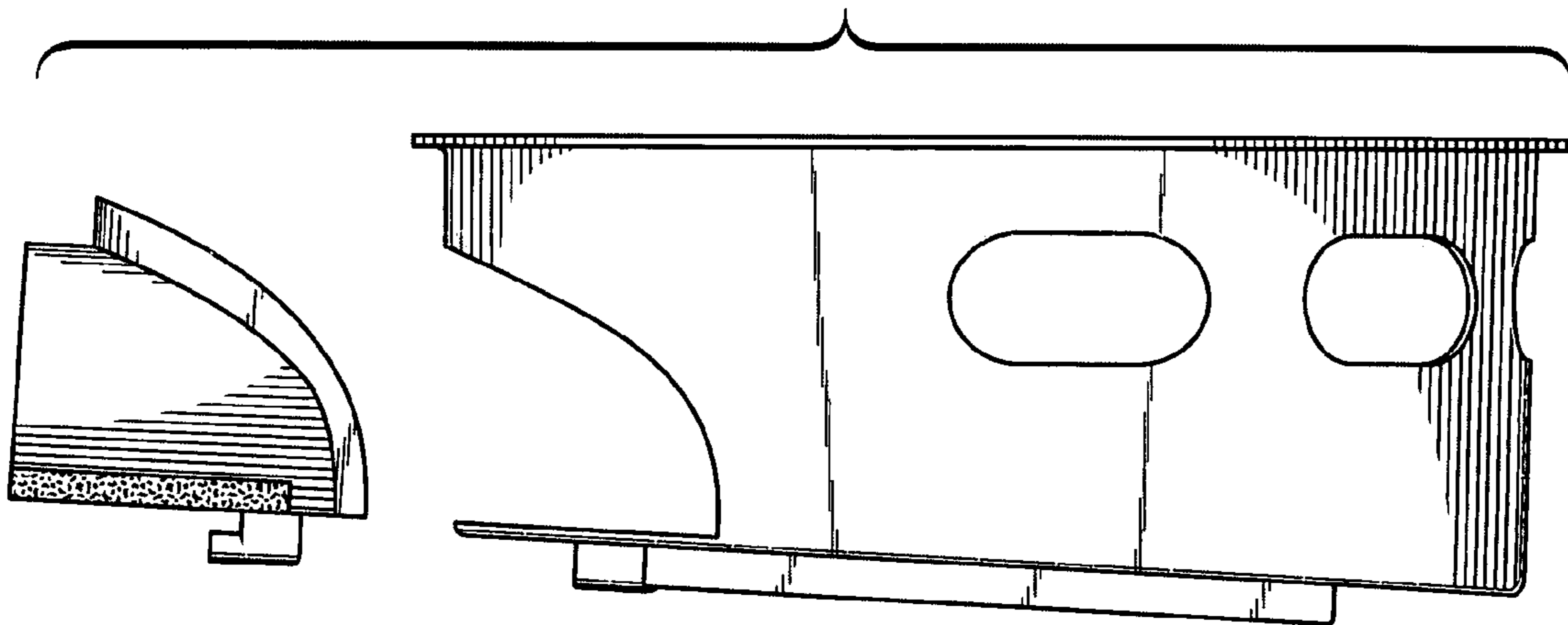


Fig. 4

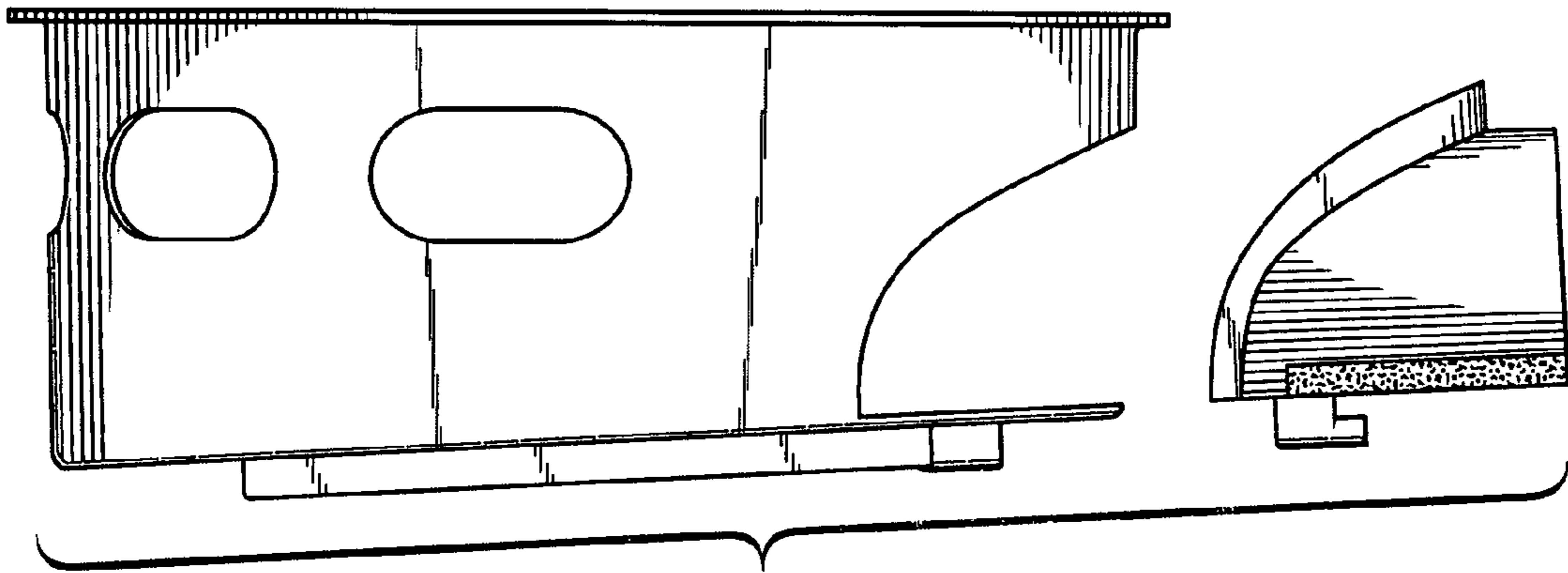


Fig. 5

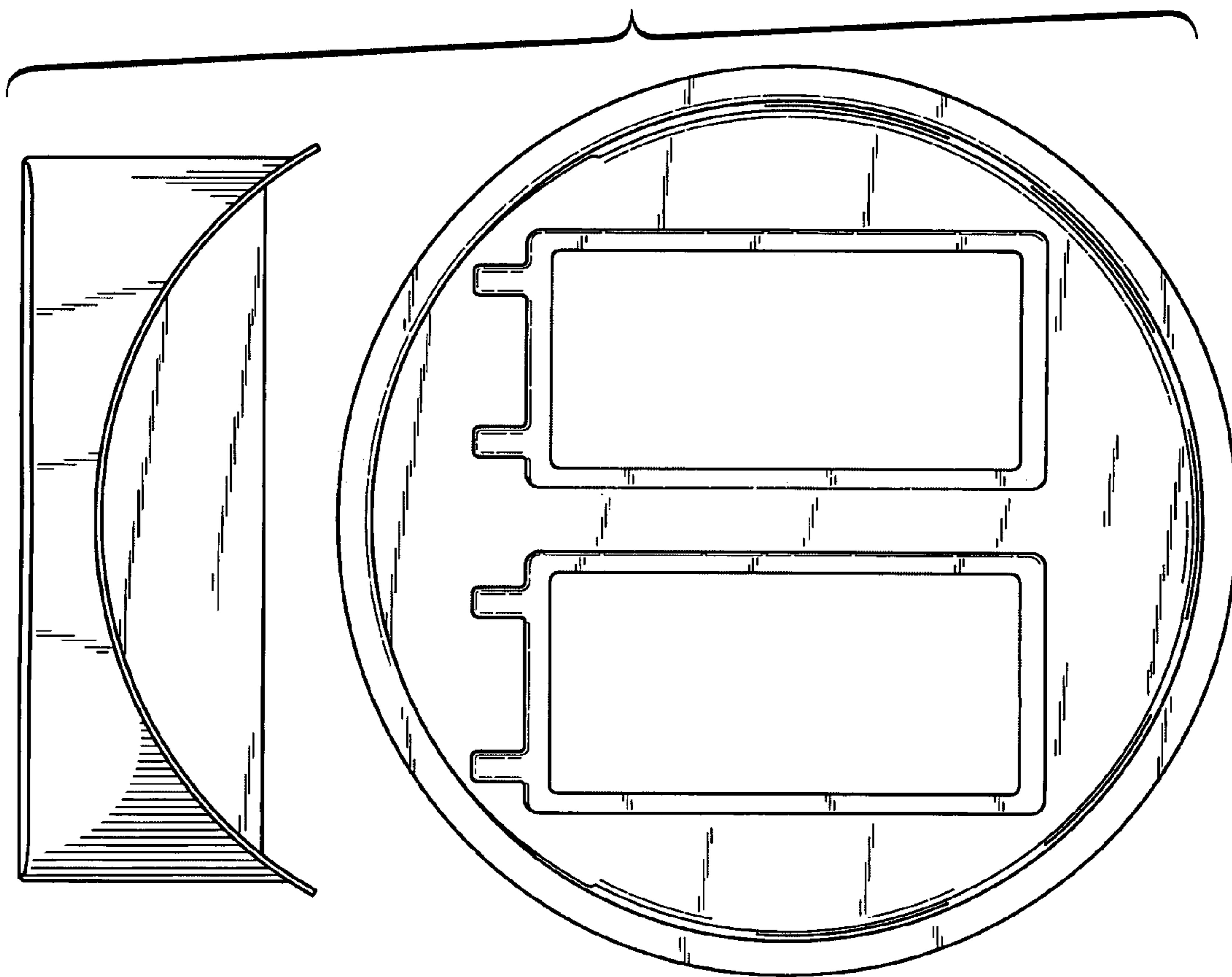


Fig. 6

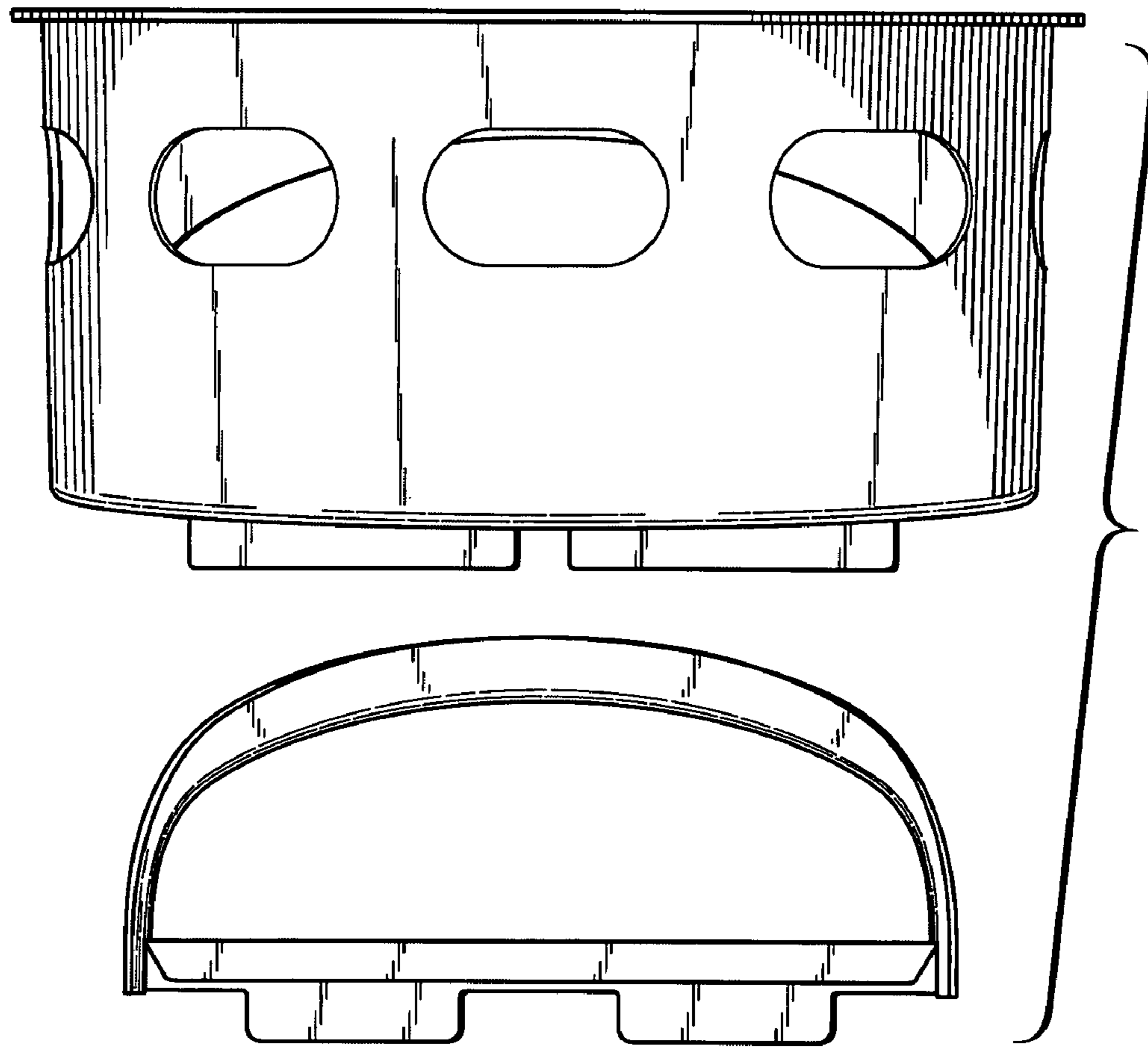


Fig. 7

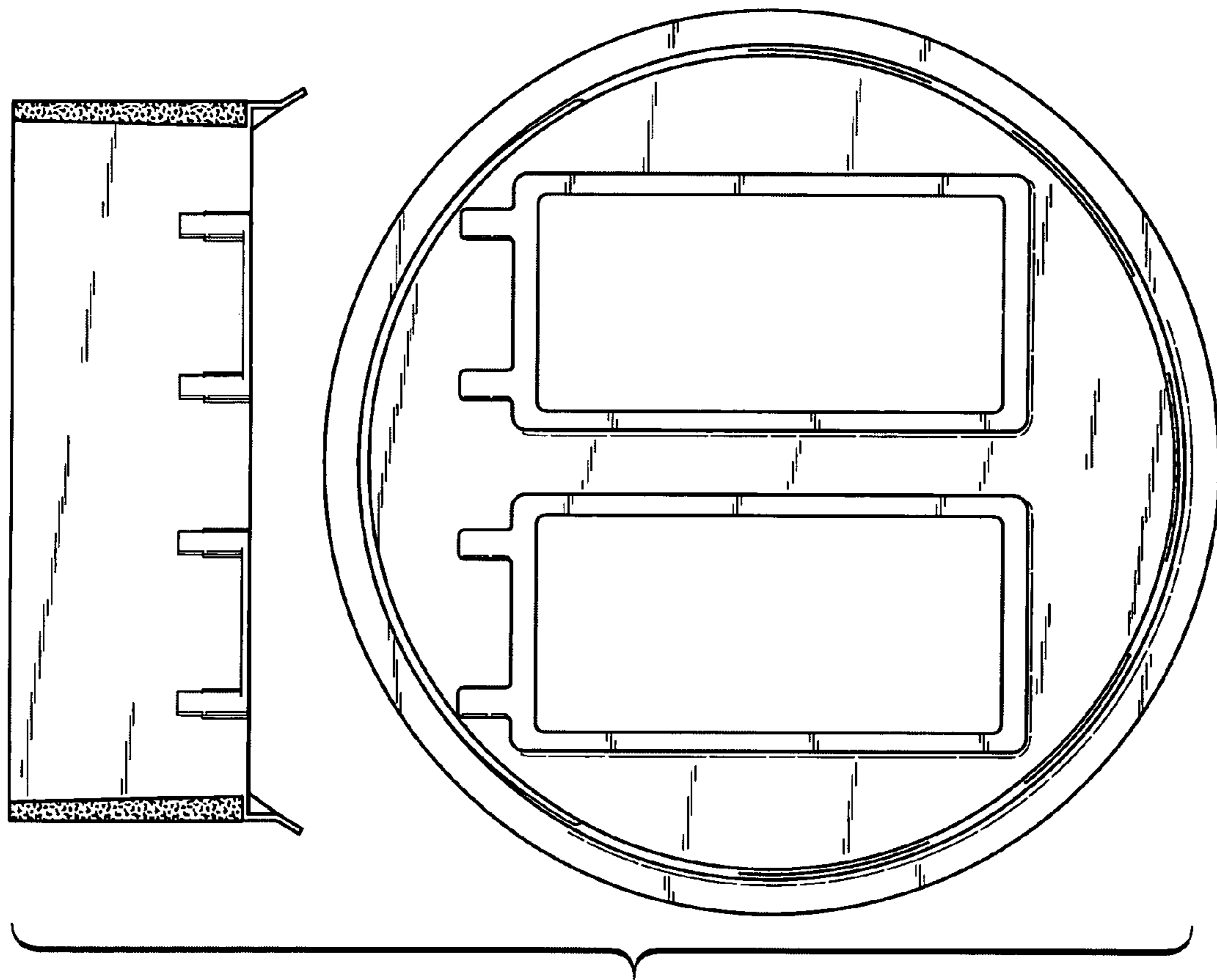


Fig. 8