



US00D559957S

(12) **United States Design Patent**
Rasmussen

(10) **Patent No.:** **US D559,957 S**
(45) **Date of Patent:** **** Jan. 15, 2008**

(54) **GUTTER GUARD**

(75) Inventor: **C. Scott Rasmussen**, Ada, MI (US)

(73) Assignee: **Quality Edge, Inc.**, Walker, MI (US)

(**) Term: **14 Years**

(21) Appl. No.: **29/274,209**

(22) Filed: **Apr. 4, 2007**

(51) **LOC (8) Cl.** **23-01**

(52) **U.S. Cl.** **D23/267**

(58) **Field of Classification Search** D23/259–269;
52/11–13; D25/119; 248/48.1
See application file for complete search history.

(56) **References Cited**

U.S. PATENT DOCUMENTS

4,727,689	A *	3/1988	Bosler	52/12
4,796,390	A *	1/1989	Demartini	52/12
D310,259	S *	8/1990	Hitchins	D23/267
5,813,173	A *	9/1998	Way, Sr.	52/12
D416,079	S *	11/1999	Hallett, II	D23/267
6,016,631	A *	1/2000	Lowrie, III	52/12
D470,926	S *	2/2003	Knight	D23/267
2005/0166465	A1 *	8/2005	Banks et al.	52/11
2006/0070304	A1 *	4/2006	Barnett	52/11
2006/0107603	A1 *	5/2006	Brownridge	52/11
2006/0179723	A1 *	8/2006	Robins	52/11

* cited by examiner

Primary Examiner—Ian Simmons

Assistant Examiner—Eric L Goodman

(74) *Attorney, Agent, or Firm*—Price, Heneveld, Cooper, DeWitt, & Litton, LLP

(57) **CLAIM**

The ornamental design for a gutter guard, as shown and described.

DESCRIPTION

FIG. 1 is a perspective view of a gutter guard showing my new design;

FIG. 2 is a top plan view;

FIG. 3 is a bottom plan view;

FIG. 4 is an enlarged, lateral cross-sectional elevational view;

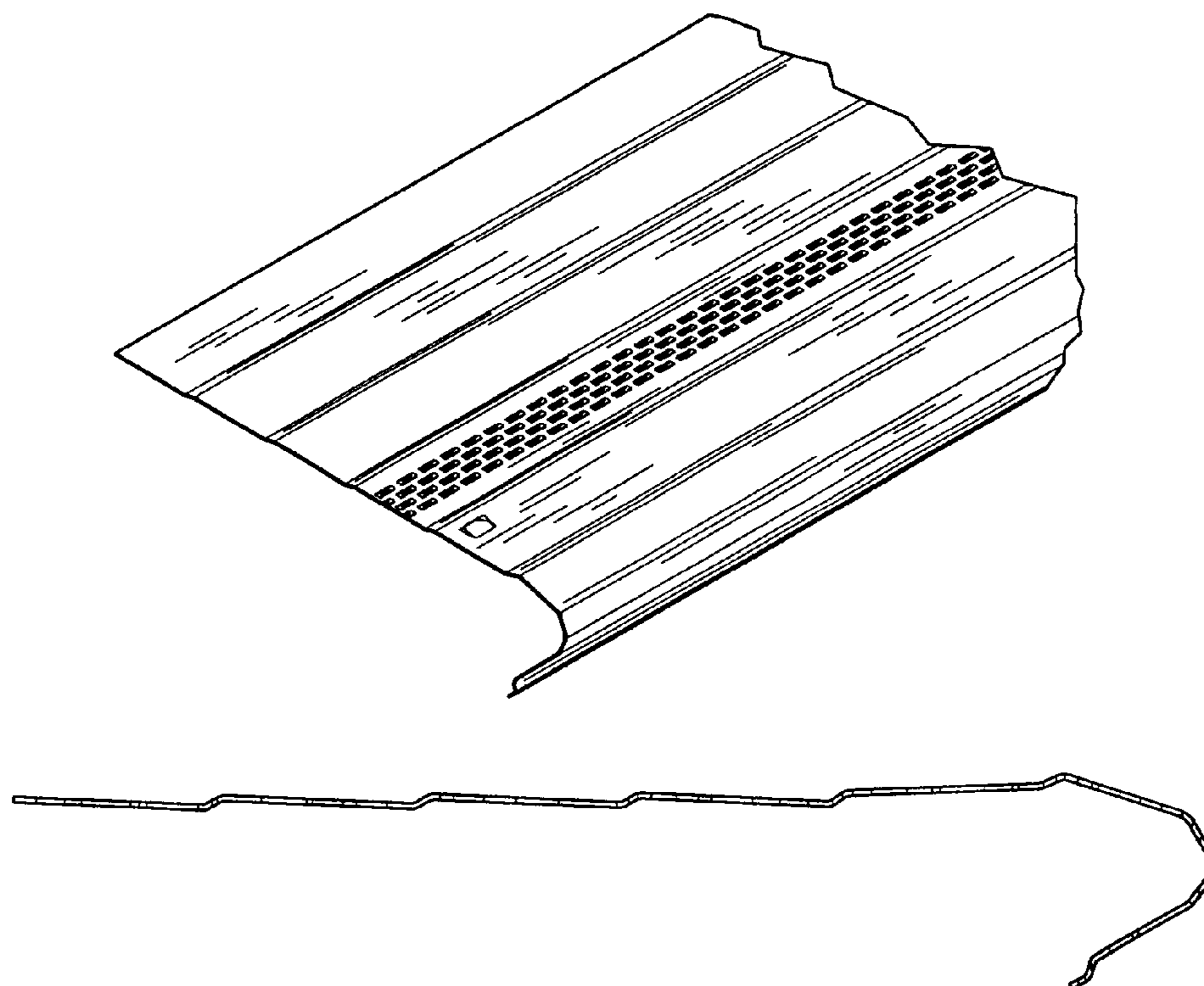
FIG. 5 is an enlarged fragmentary top plan view of a water inlet portion thereof;

FIG. 6 is an enlarged fragmentary bottom plan view of the water inlet portion thereof;

FIG. 7 is a fragmentary cross-sectional view of the water inlet portion, taken along the line VII—VII, FIG. 5; and,

FIG. 8 is a fragmentary cross-sectional view of the water inlet portion thereof, taken along the line VIII—VIII, FIG. 5.

1 Claim, 2 Drawing Sheets



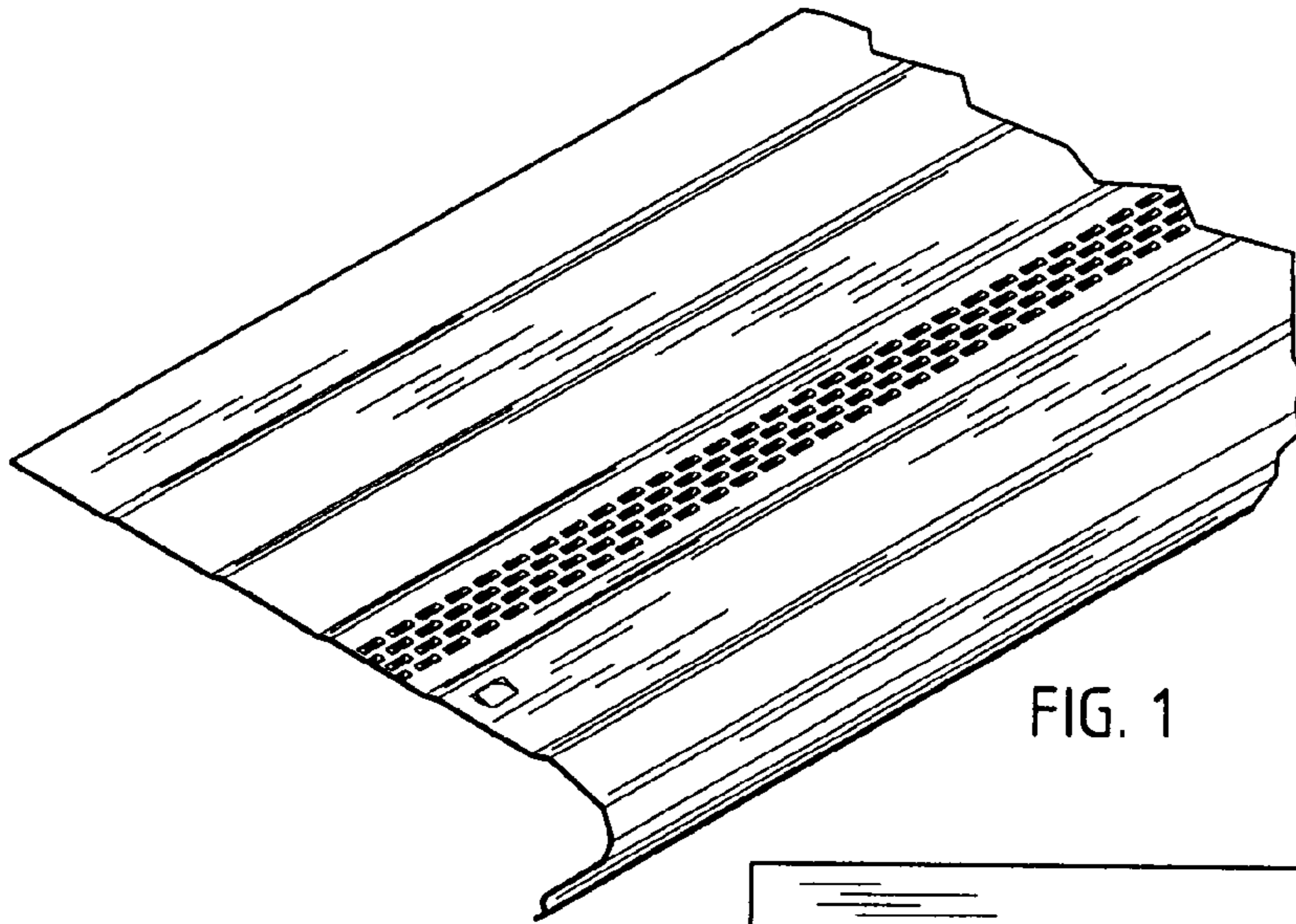


FIG. 1

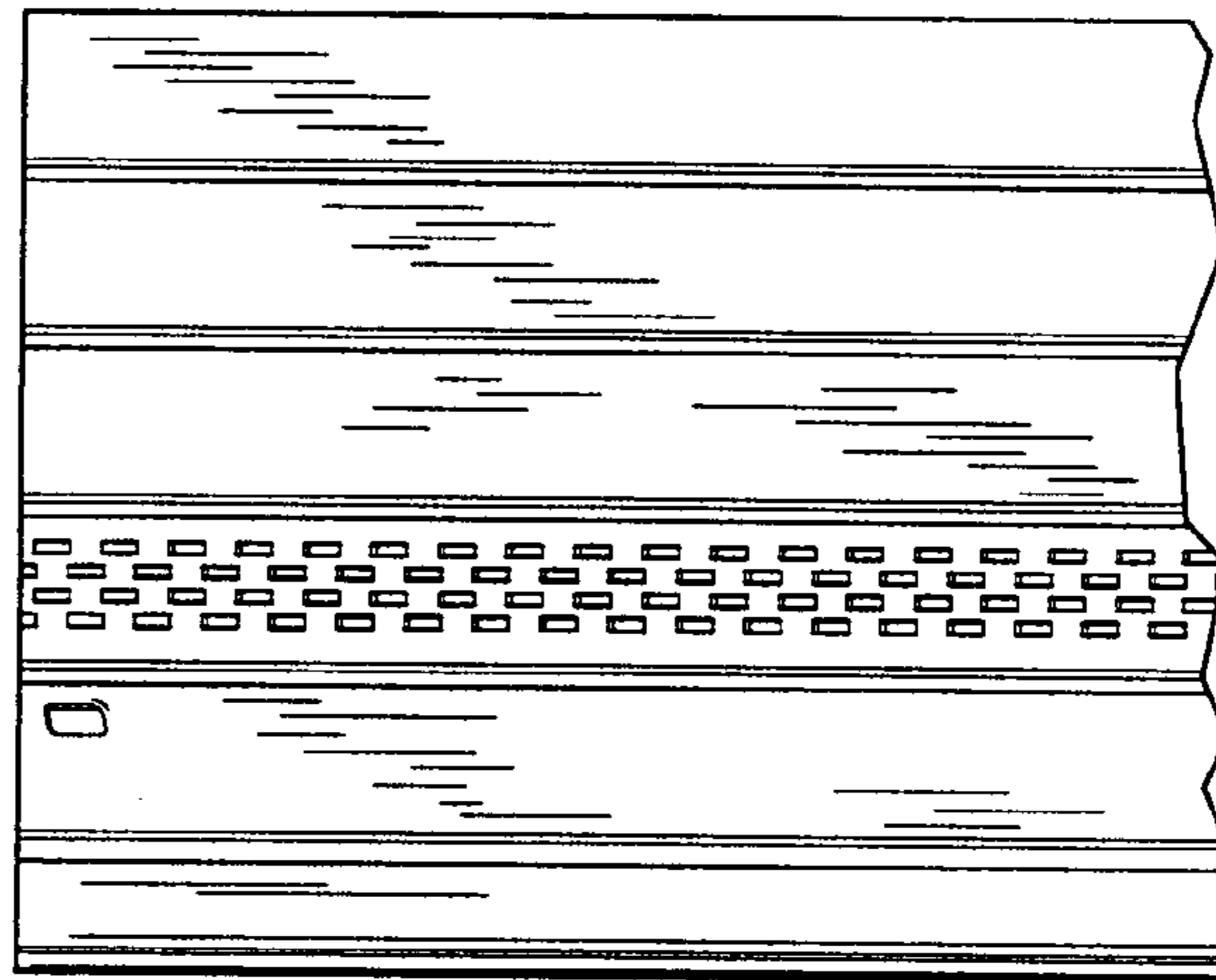


FIG. 2

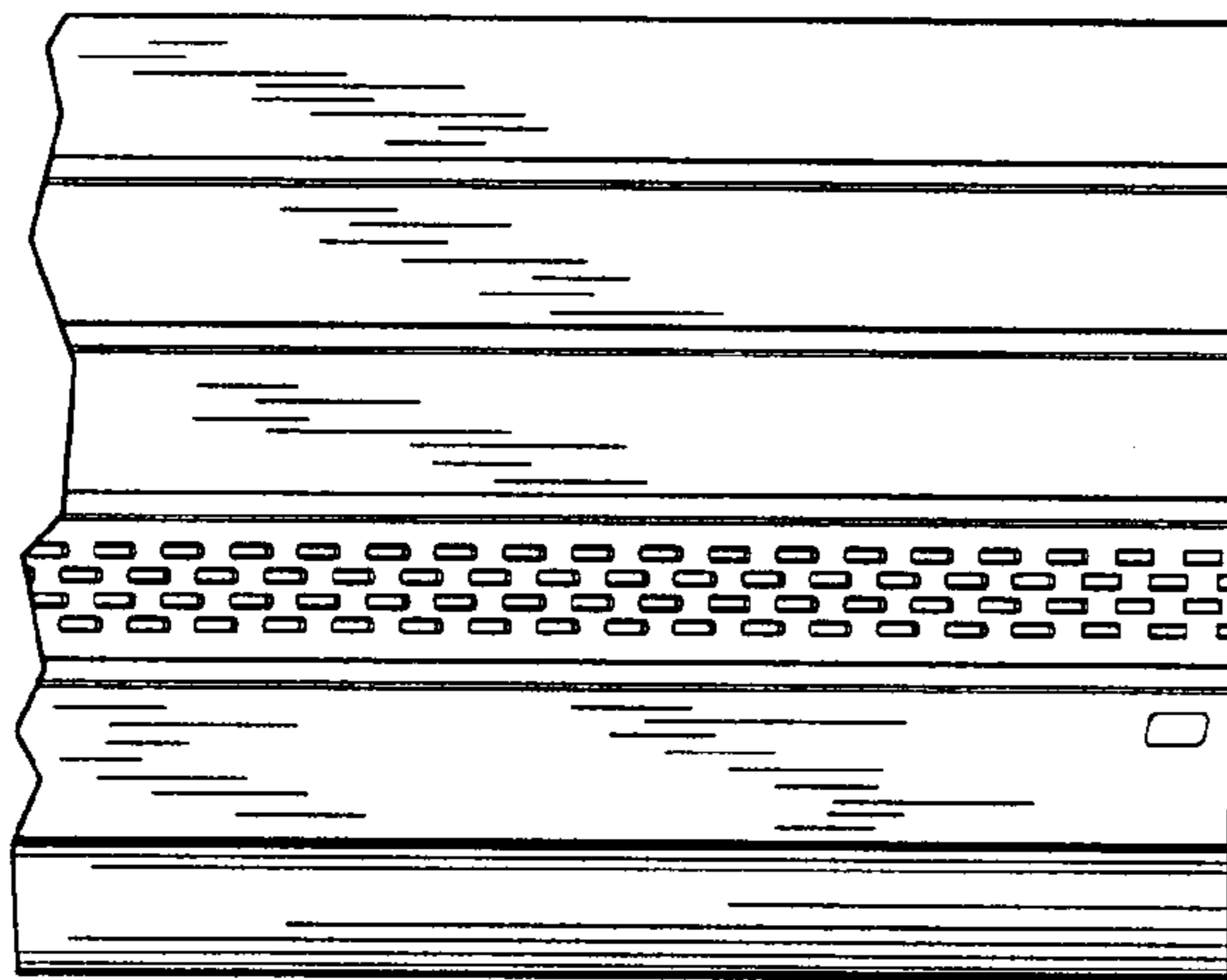


FIG. 3

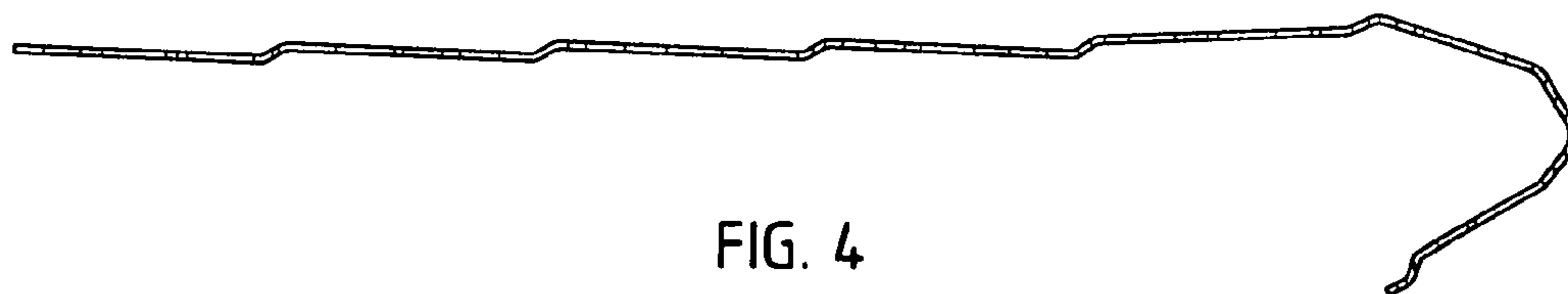


FIG. 4

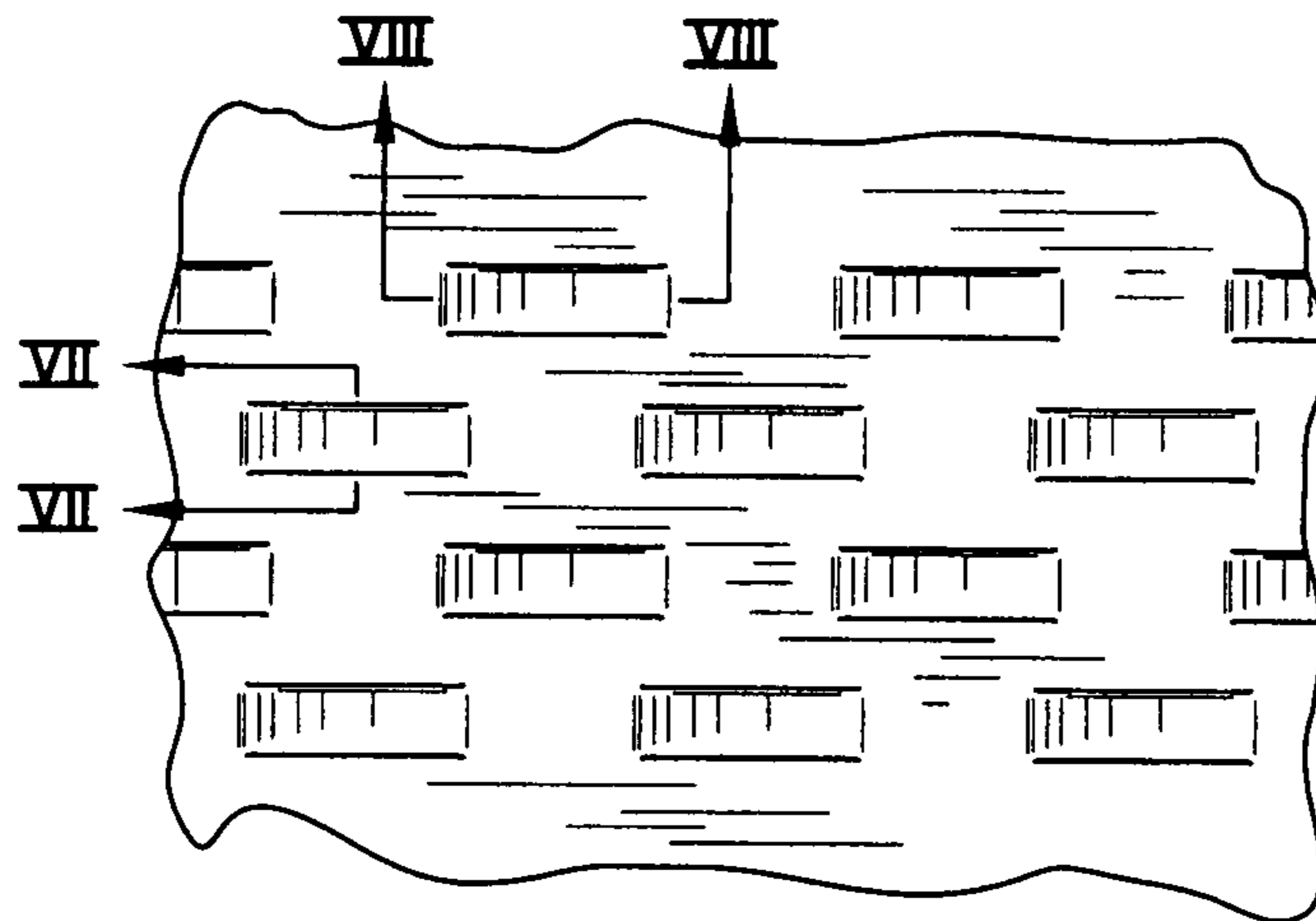


FIG. 5

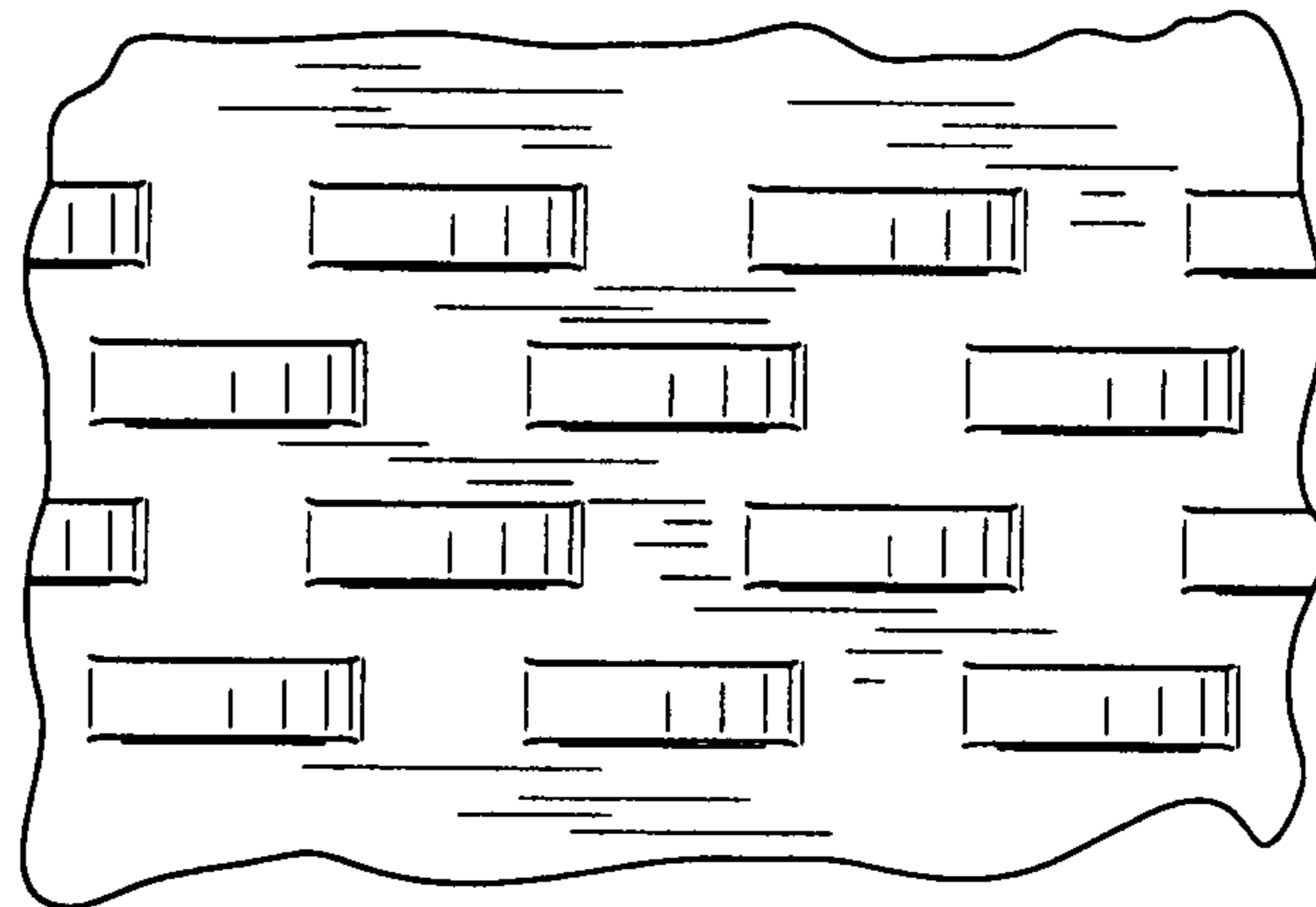


FIG. 6

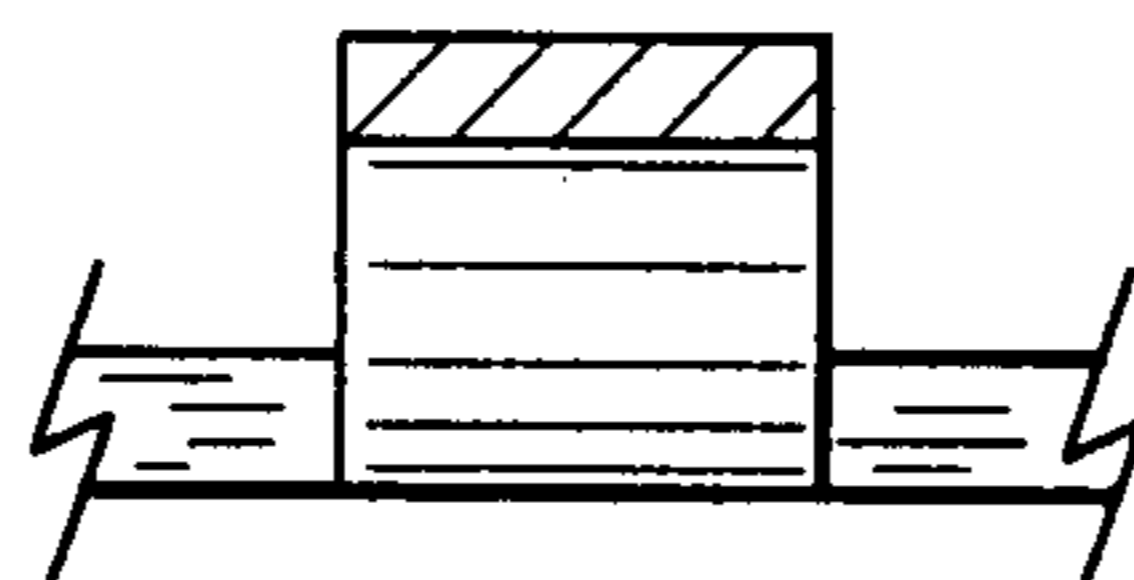


FIG. 7

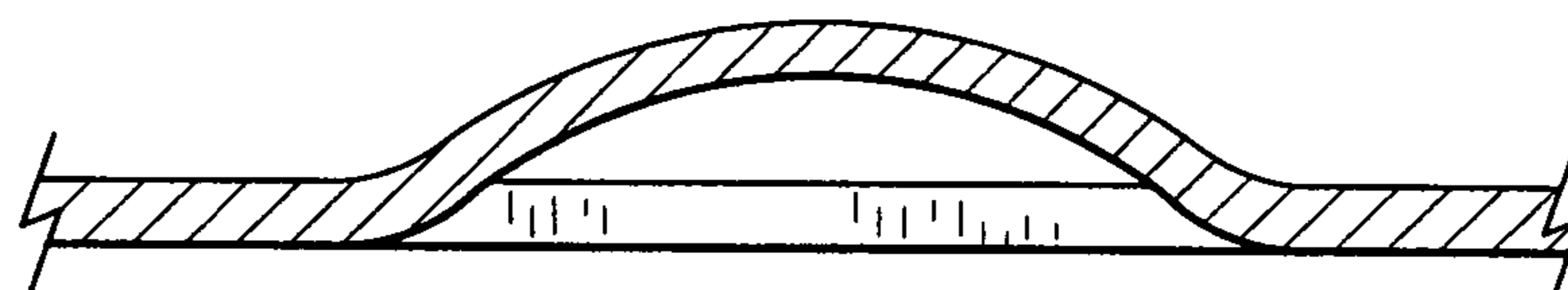


FIG. 8