



US00D559956S

(12) **United States Design Patent**  
**Heck et al.**

(10) **Patent No.: US D559,956 S**

(45) **Date of Patent: \*\* Jan. 15, 2008**

(54) **FAUCET ASSEMBLY**

(75) Inventors: **Felix Heck**, Munich (DE); **Andreas Haug**, Stuttgart (DE); **Tom Schönherr**, Stuttgart (DE); **Andreas Dimitriadis**, Lorch (DE); **Peter Kolin**, Schwäbisch Gmünd (DE)

(73) Assignee: **Hansgrohe AG** (DE)

(\*\*) Term: **14 Years**

(21) Appl. No.: **29/247,356**

(22) Filed: **Jun. 13, 2006**

(30) **Foreign Application Priority Data**

Dec. 14, 2005 (EP) ..... 000447933-0004

(51) **LOC (8) Cl.** ..... **23-01**

(52) **U.S. Cl.** ..... **D23/238**

(58) **Field of Classification Search** ..... D23/238–250,  
D23/253–255; 4/671–678; 137/801, 615  
See application file for complete search history.

(56) **References Cited**

**U.S. PATENT DOCUMENTS**

4,611,626	A	*	9/1986	Logsdon	.....	4/675
D339,410	S	*	9/1993	Gottwald	.....	D23/241
D339,629	S	*	9/1993	Gottwald	.....	D23/241
D419,643	S	*	1/2000	Gottwald et al.	.....	D23/238
D438,597	S	*	3/2001	Gottwald et al.	.....	D23/238
D450,808	S	*	11/2001	Gottwald	.....	D23/250
D457,222	S	*	5/2002	Gottwald	.....	D23/242
D457,223	S	*	5/2002	Gottwald	.....	D23/242
D457,224	S	*	5/2002	Gottwald	.....	D23/243
D457,225	S	*	5/2002	Gottwald	.....	D23/243

D457,226	S	*	5/2002	Gottwald	.....	D23/243
D457,602	S	*	5/2002	Gottwald	.....	D23/242
D457,603	S	*	5/2002	Lobermeier	.....	D23/242
D457,941	S	*	5/2002	Lobermeier	.....	D23/242
D458,987	S	*	6/2002	Gottwald	.....	D23/242
D464,402	S	*	10/2002	Saraya	.....	D23/238
D479,580	S	*	9/2003	Haug et al.	.....	D23/238
D485,602	S	*	1/2004	Lee	.....	D23/241
D492,390	S	*	6/2004	Fraser et al.	.....	D23/241
D493,211	S	*	7/2004	Fraser et al.	.....	D23/241
D514,200	S	*	1/2006	Starck	.....	D23/238
D531,270	S	*	10/2006	Smith	.....	D23/241

\* cited by examiner

*Primary Examiner*—Stella M. Reid  
*Assistant Examiner*—David G Muller

(74) *Attorney, Agent, or Firm*—Leon E. Redman; Lloyd D. Doigan

(57) **CLAIM**

The ornamental design for a faucet assembly, as shown and described.

**DESCRIPTION**

FIG. 1 is a front perspective view of a faucet assembly showing our design;

FIG. 2 is a top plan view thereof;

FIG. 3 is a front elevational view thereof;

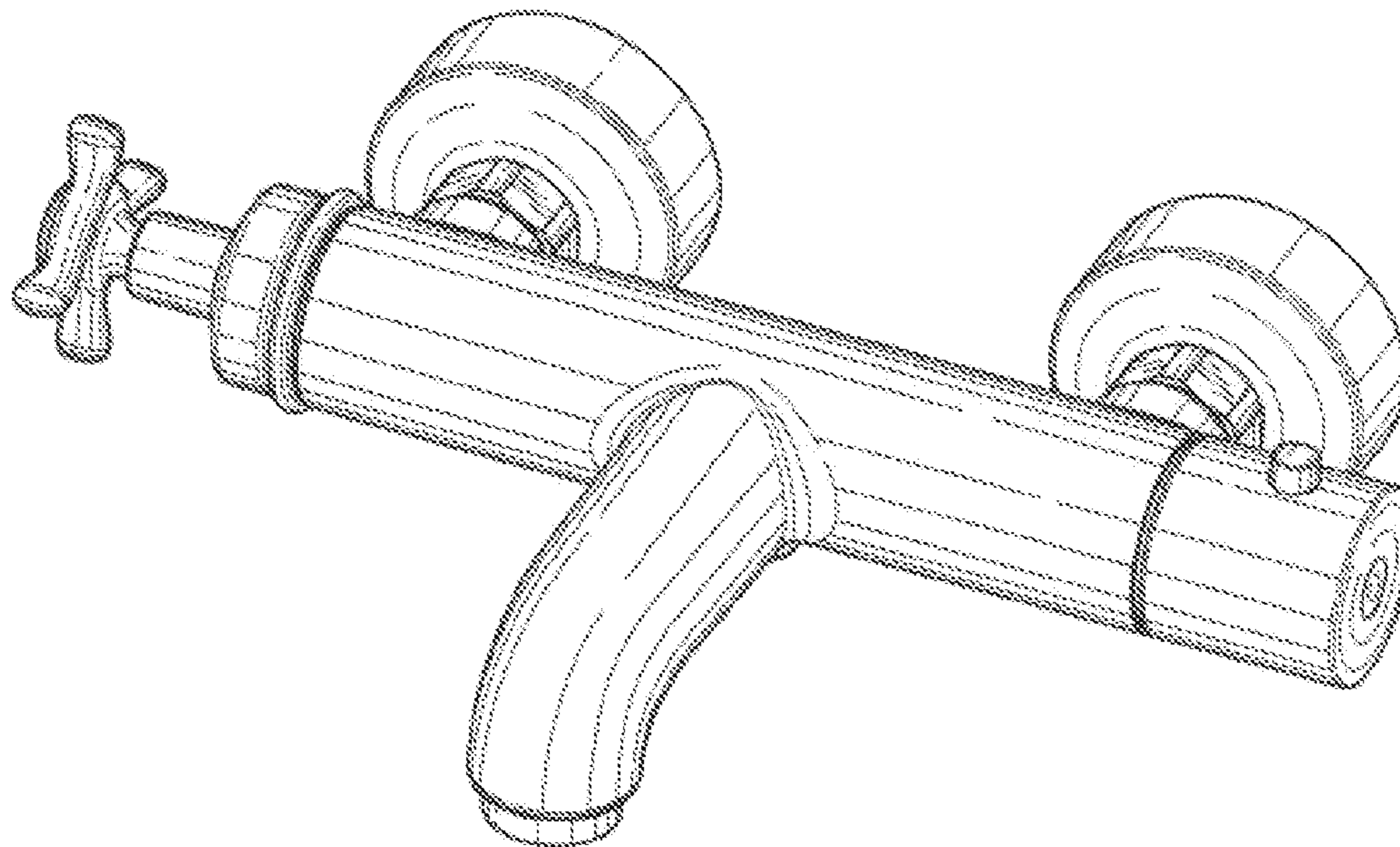
FIG. 4 is a rear elevational view thereof;

FIG. 5 is a bottom plan view thereof;

FIG. 6 is a right side elevational view thereof; and,

FIG. 7 is a left side elevational view thereof.

**1 Claim, 5 Drawing Sheets**



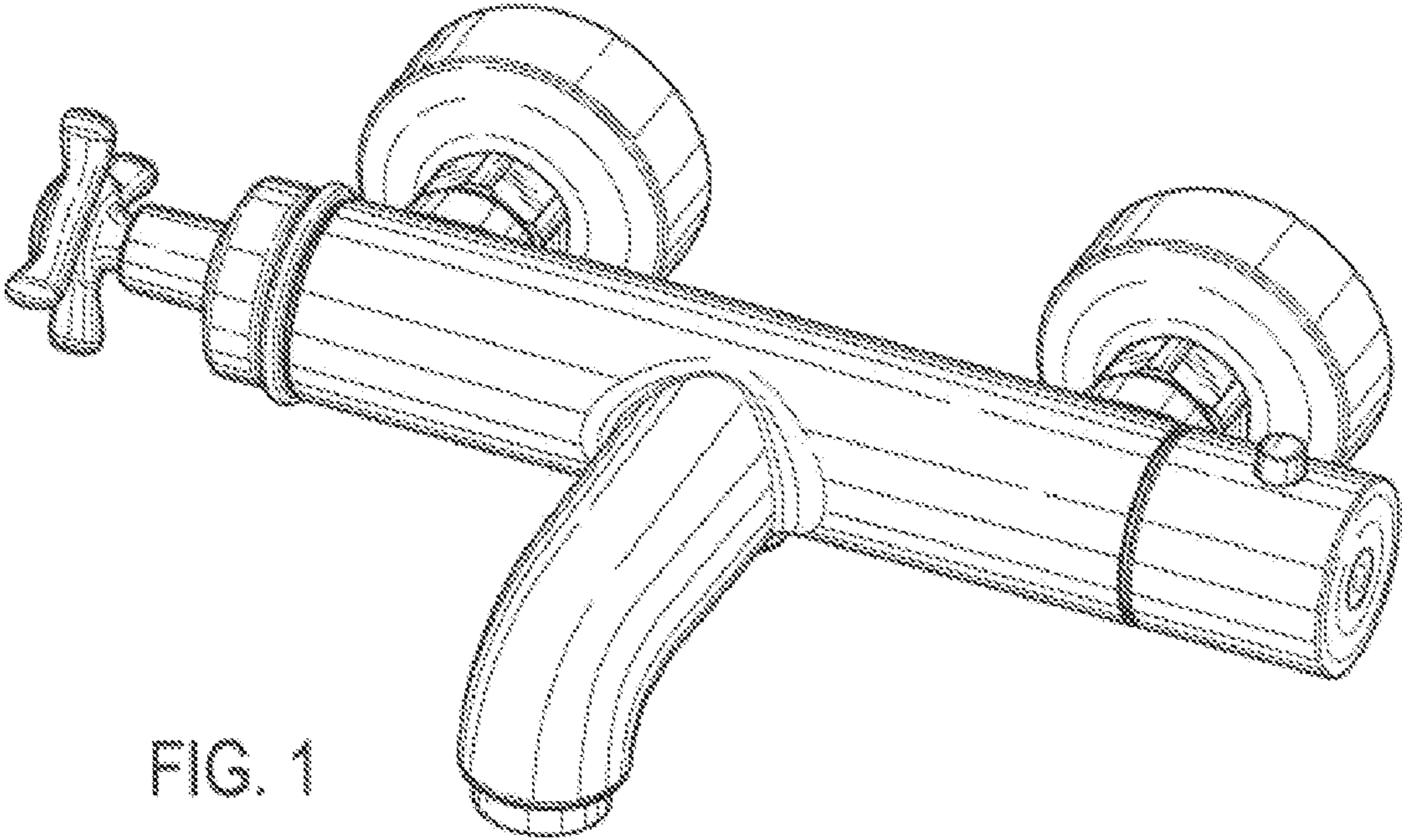


FIG. 1

FIG. 2

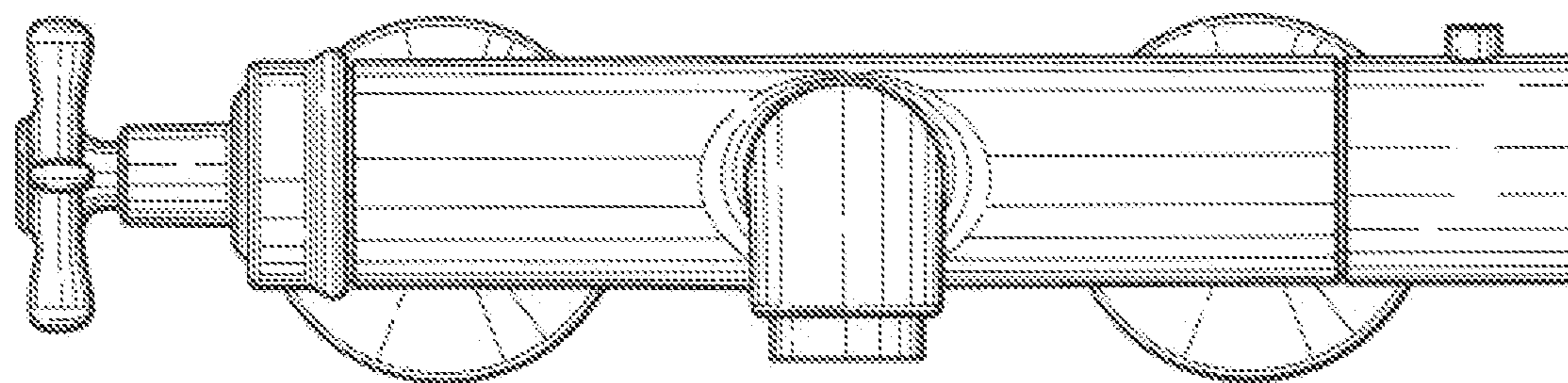
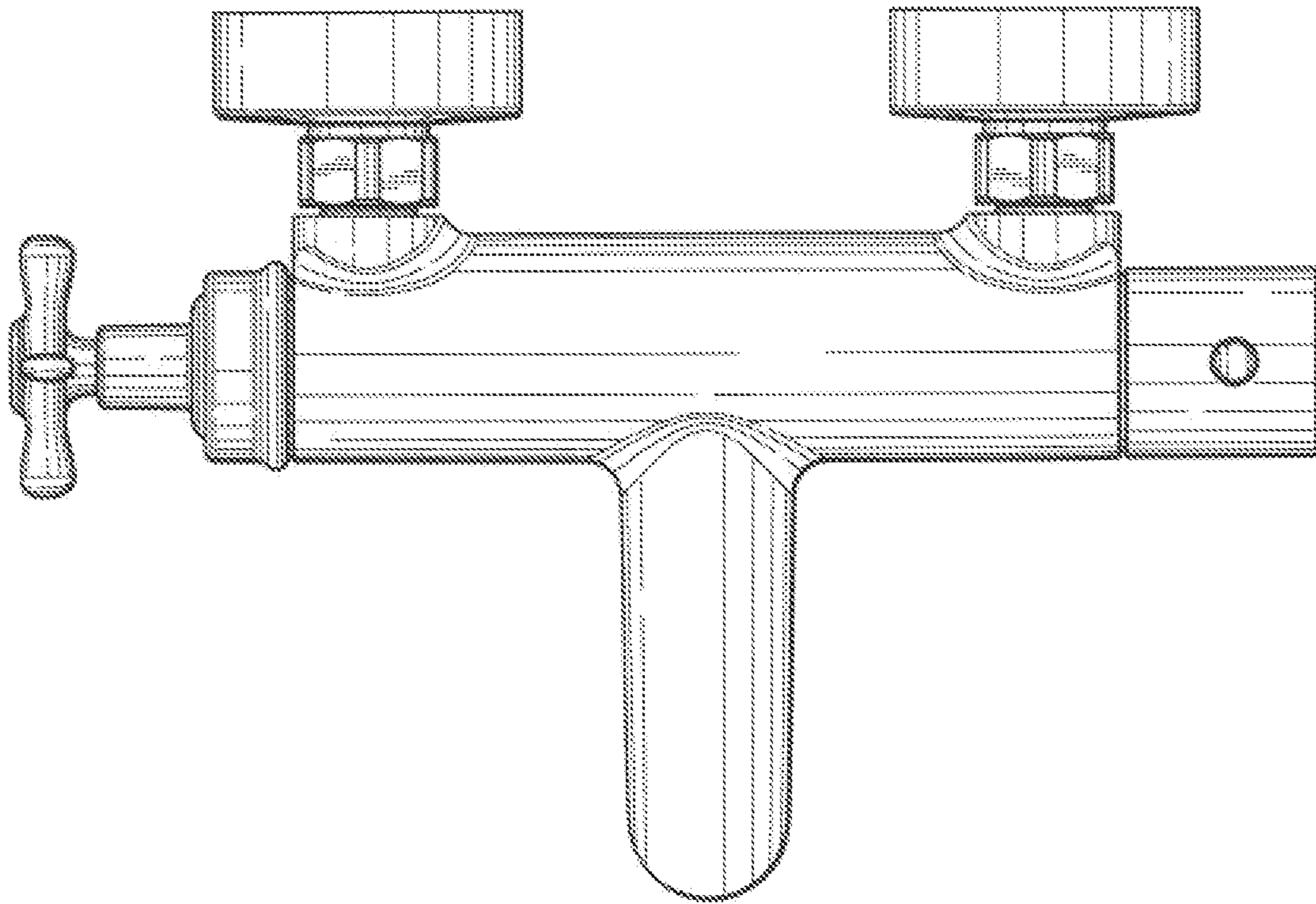


FIG. 3

FIG. 4

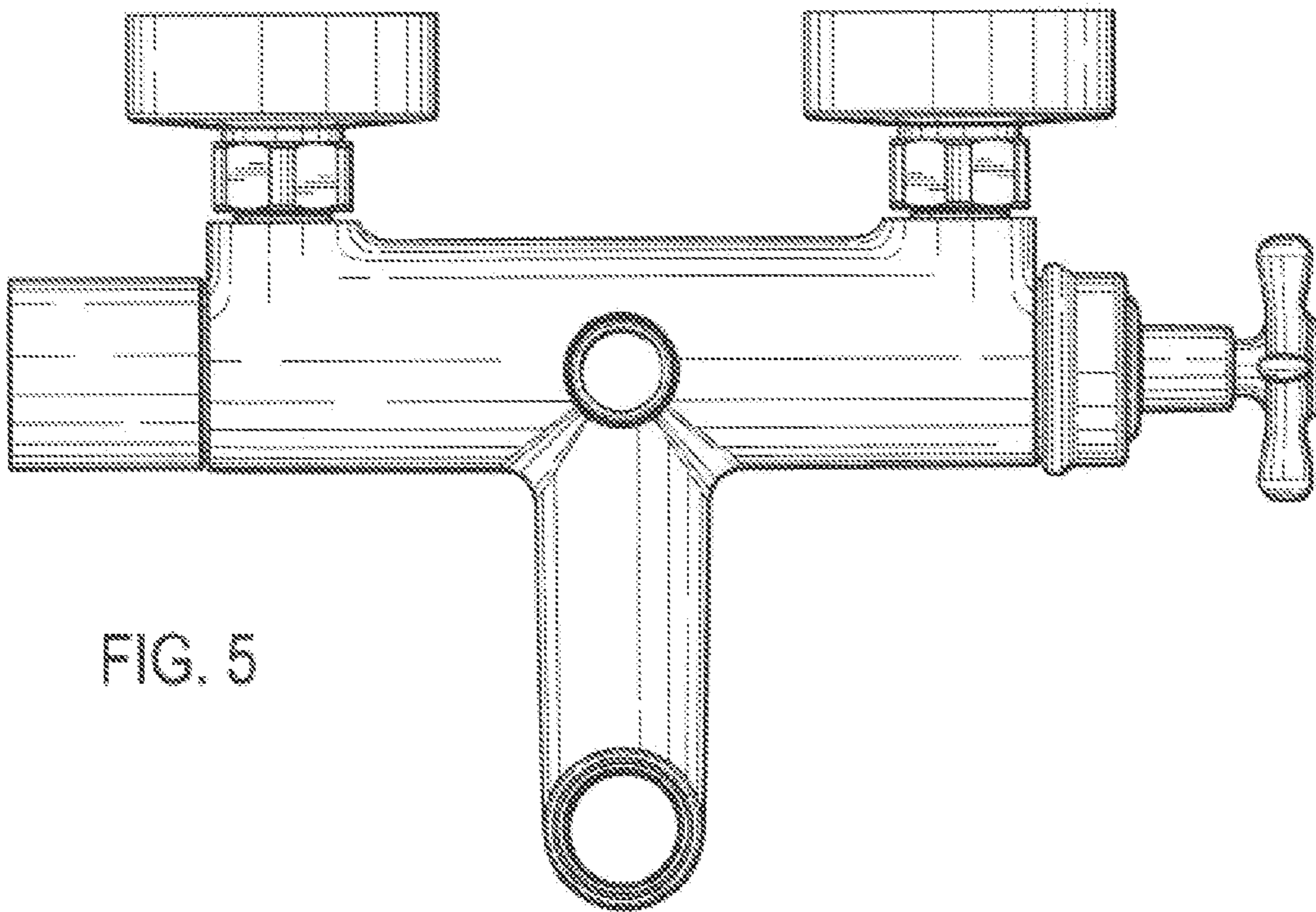
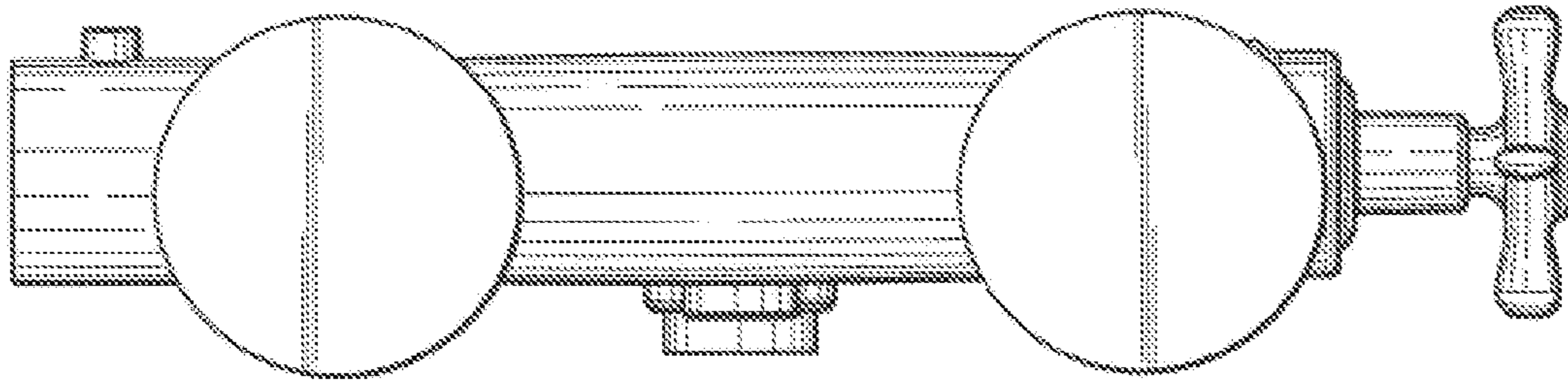


FIG. 5

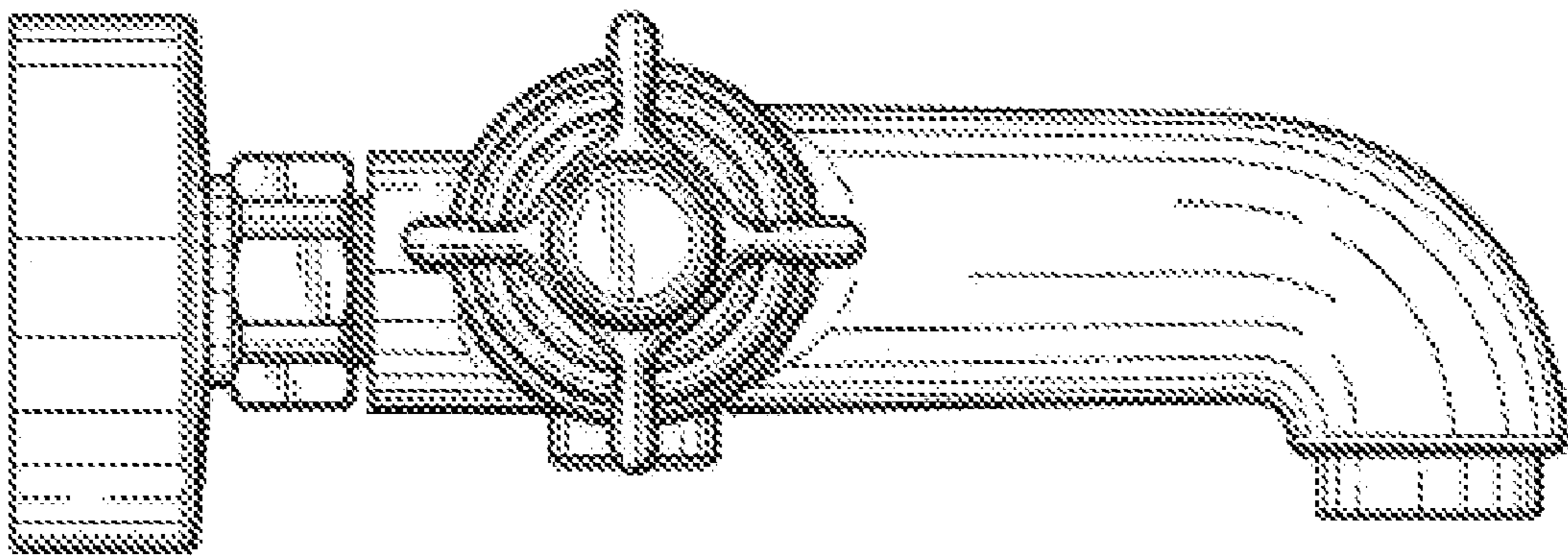


FIG. 6

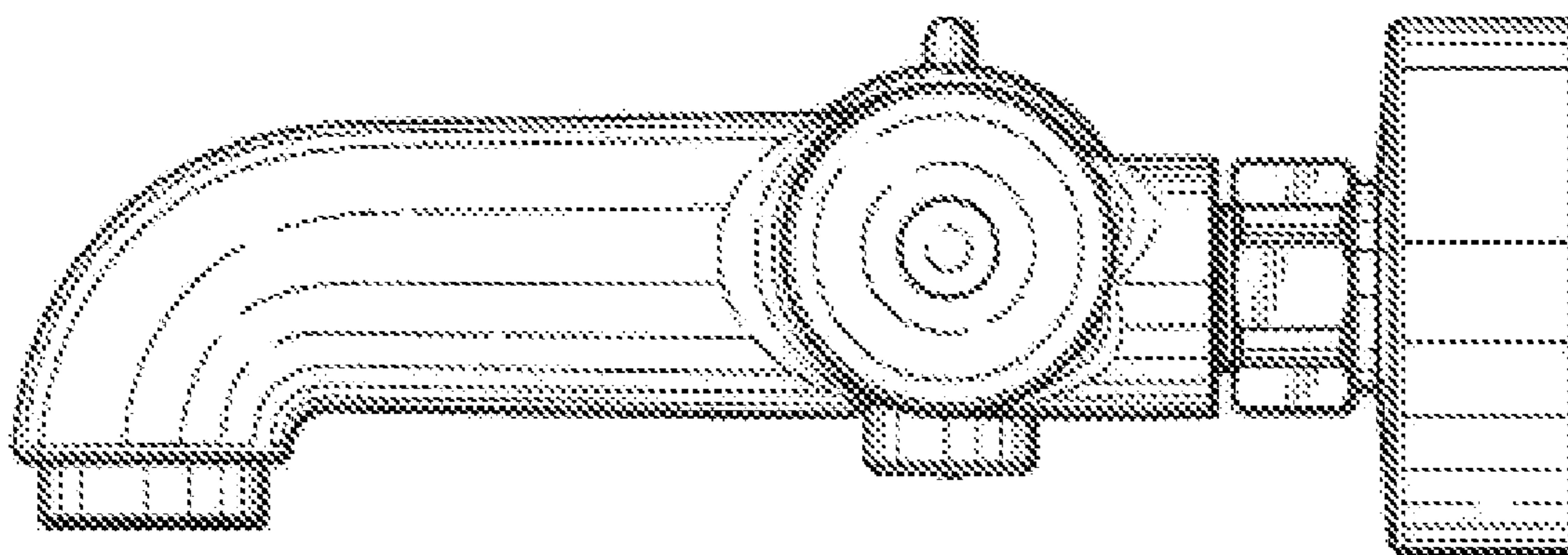


FIG. 7