



US00D559955S

(12) **United States Design Patent** (10) **Patent No.:** **US D559,955 S**
Donovan et al. (45) **Date of Patent:** **** Jan. 15, 2008**

(54) **VALVE**

(75) Inventors: **Ryan W. Donovan**, Tucson, AZ (US);
Clint R. Haas, Tucson, AZ (US); **Neil Jolly**, Tucson, AZ (US)

(73) Assignee: **Rain Bird Corporation**, Azusa, CA (US)

(**) Term: **14 Years**

(21) Appl. No.: **29/250,431**

(22) Filed: **Nov. 14, 2006**

Primary Examiner—Jeffrey Asch
Assistant Examiner—Maurice Stevens

(74) *Attorney, Agent, or Firm*—Fitch, Even, Tabin & Flannery

(57) **CLAIM**

We claim the ornamental design for a valve, as shown and described.

DESCRIPTION

Related U.S. Application Data

(62) Division of application No. 29/243,721, filed on Nov. 30, 2005, now Pat. No. Des. 539,387.

(51) **LOC (8) Cl.** **23-01**

(52) **U.S. Cl.** **D23/233**

(58) **Field of Classification Search** D23/233–237,
D23/244–249, 209; 137/15.04, 15.08; 251/149.1,
251/214; 210/342, 234, 412
See application file for complete search history.

(56) **References Cited**

U.S. PATENT DOCUMENTS

D287,044 S *	12/1986	Hughes	D23/248
D373,176 S	8/1996	Booth et al.		
D476,718 S	7/2003	Ferrer Beltran		
D478,965 S	8/2003	Ferrer Beltran		
D479,307 S	9/2003	Ferrer Beltran		
D494,252 S	8/2004	Kline		
D504,715 S	5/2005	Hagihara		
D538,889 S *	3/2007	Marstorp	D23/233
D539,386 S *	3/2007	Hayashi et al.	D23/233
D539,387 S *	3/2007	Donovan et al.	D23/233

* cited by examiner

FIG. 1 is a perspective view of a first embodiment of a valve of our new design;

FIG. 2 is a side elevational view of the valve of FIG. 1;

FIG. 3 is an opposite side elevational view of the valve of FIG. 1;

FIG. 4 is a front elevational view of the valve of FIG. 1;

FIG. 5 is a rear elevational view of the valve of FIG. 1;

FIG. 6 is a top plan view of the valve of FIG. 1;

FIG. 7 is a bottom plan view of the valve of FIG. 1;

FIG. 8 is a perspective view of a second embodiment of a valve of our new design;

FIG. 9 is a side elevational view of the valve of FIG. 8;

FIG. 10 is an opposite side elevational view of the valve of FIG. 8;

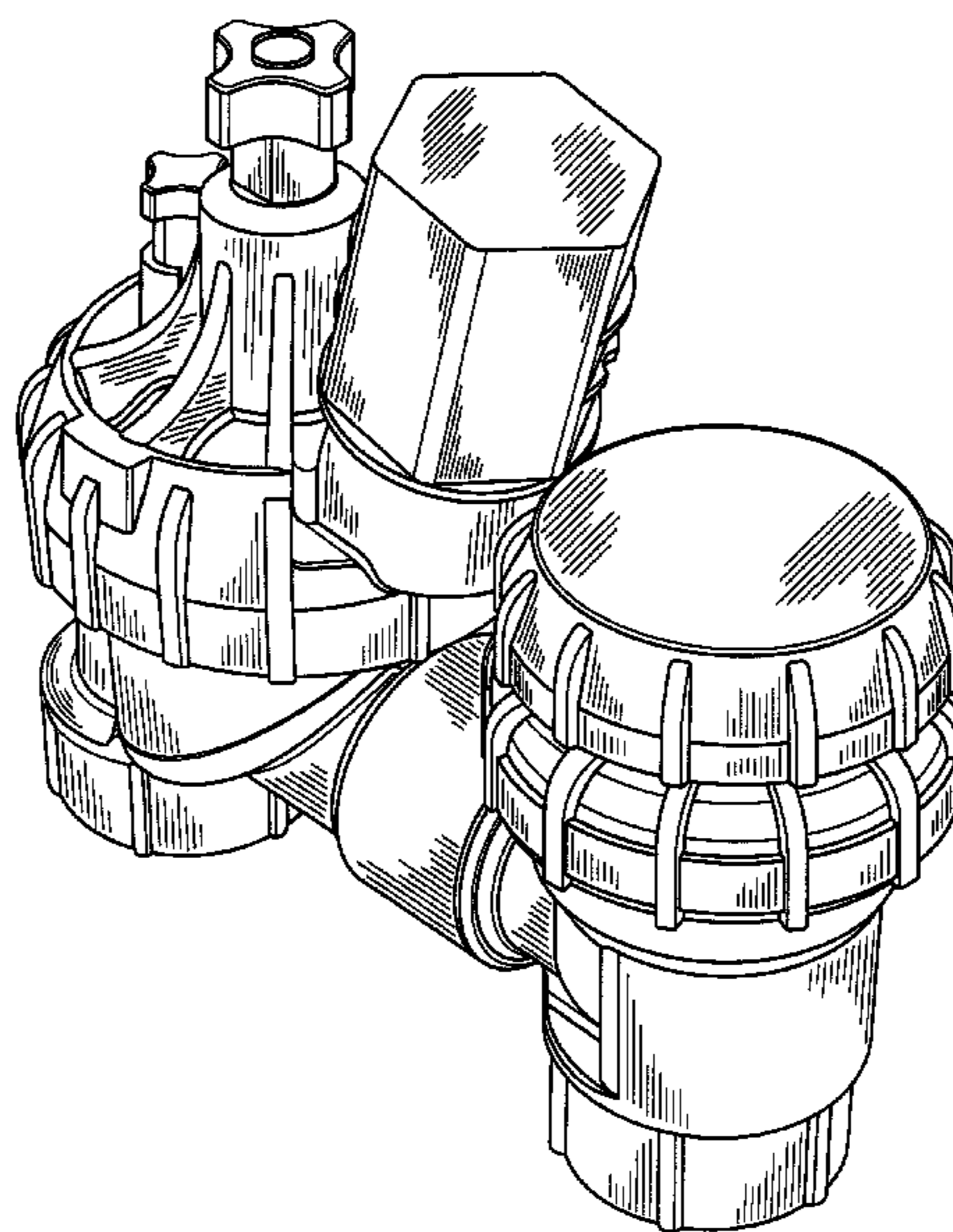
FIG. 11 is a front elevational view of the valve of FIG. 8;

FIG. 12 is a rear elevational view of the valve of FIG. 8;

FIG. 13 is a top plan view of the valve of FIG. 8; and,

FIG. 14 is a bottom plan view of the valve of FIG. 8.

1 Claim, 12 Drawing Sheets



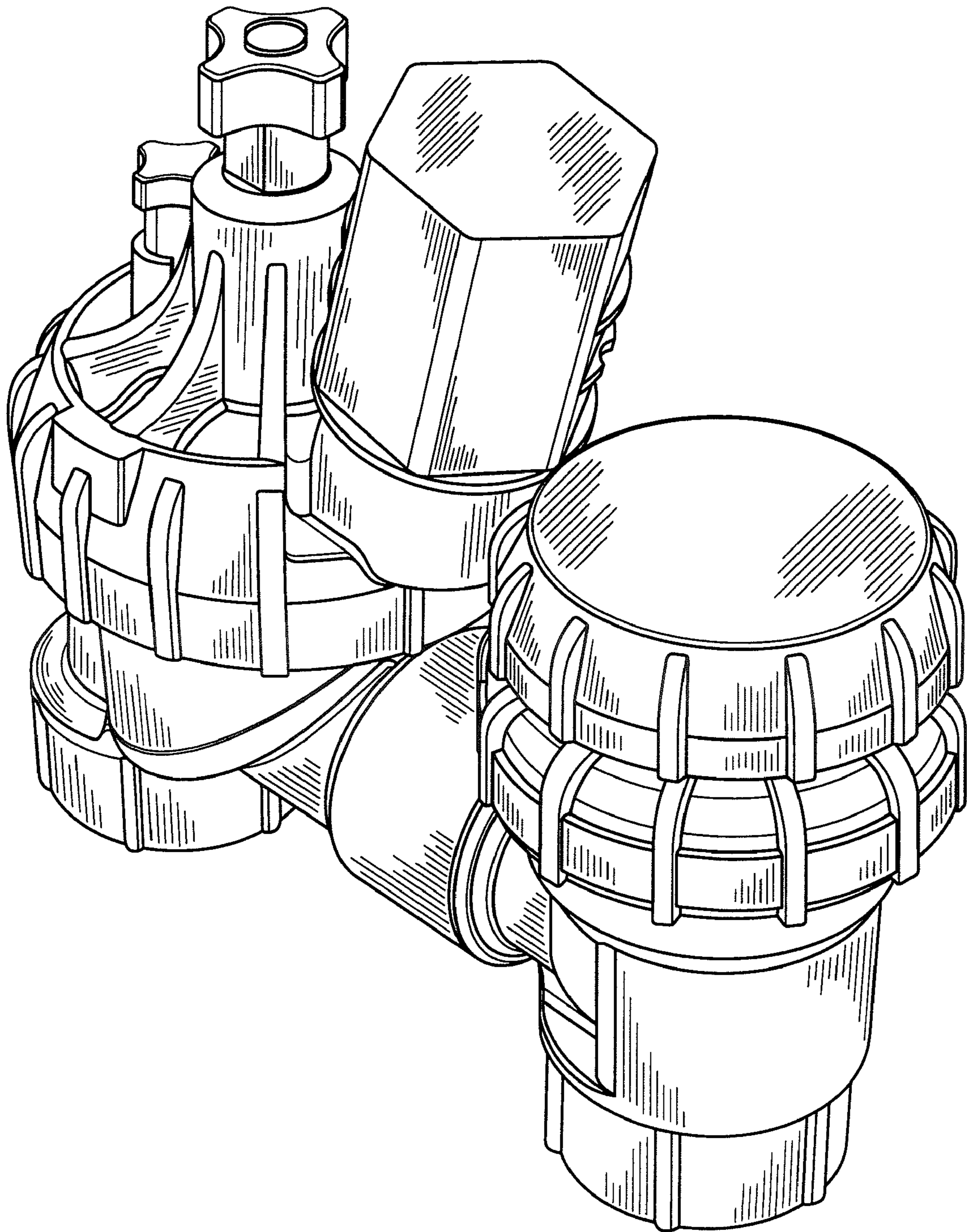


FIG. 1

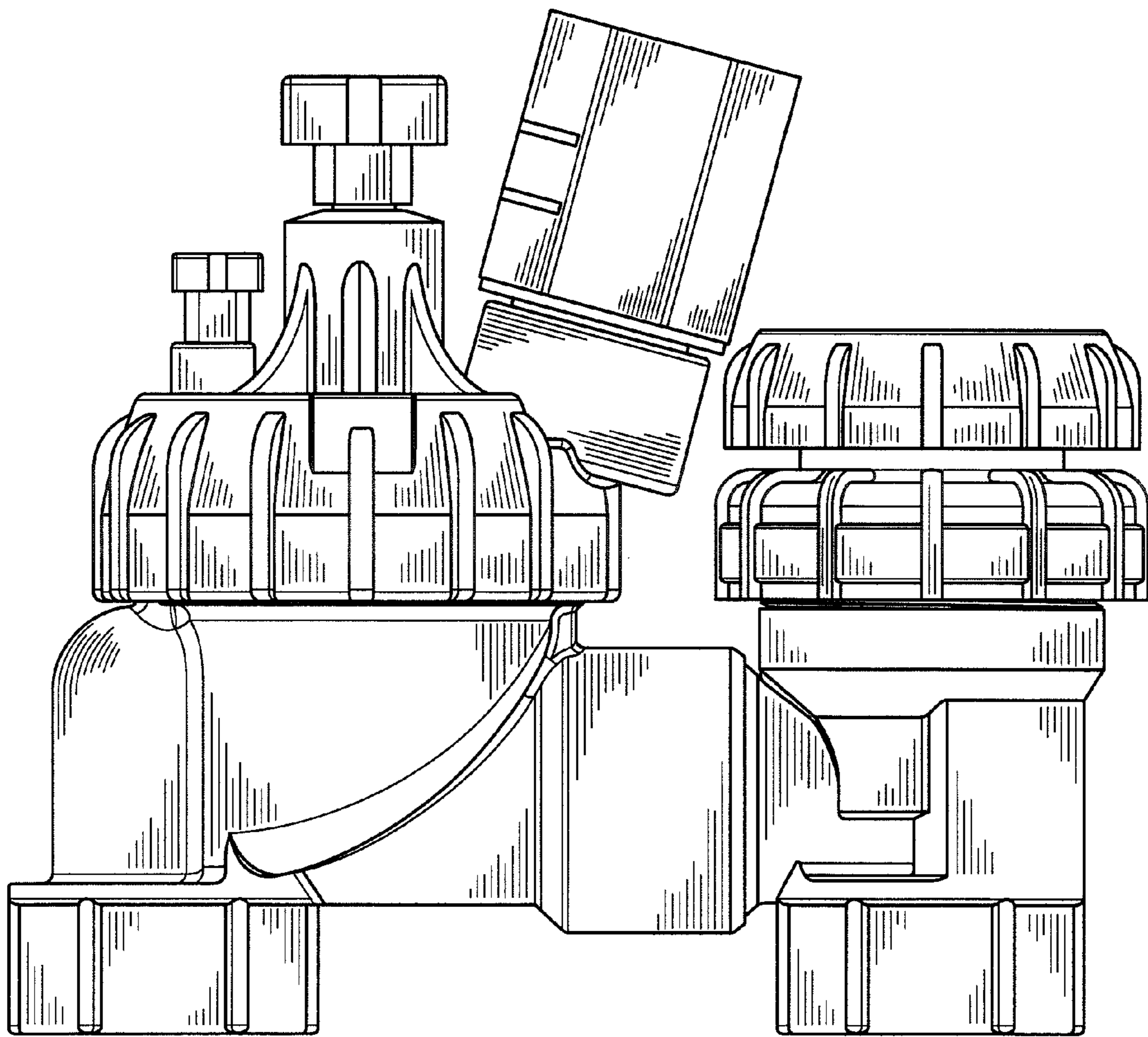


FIG. 2

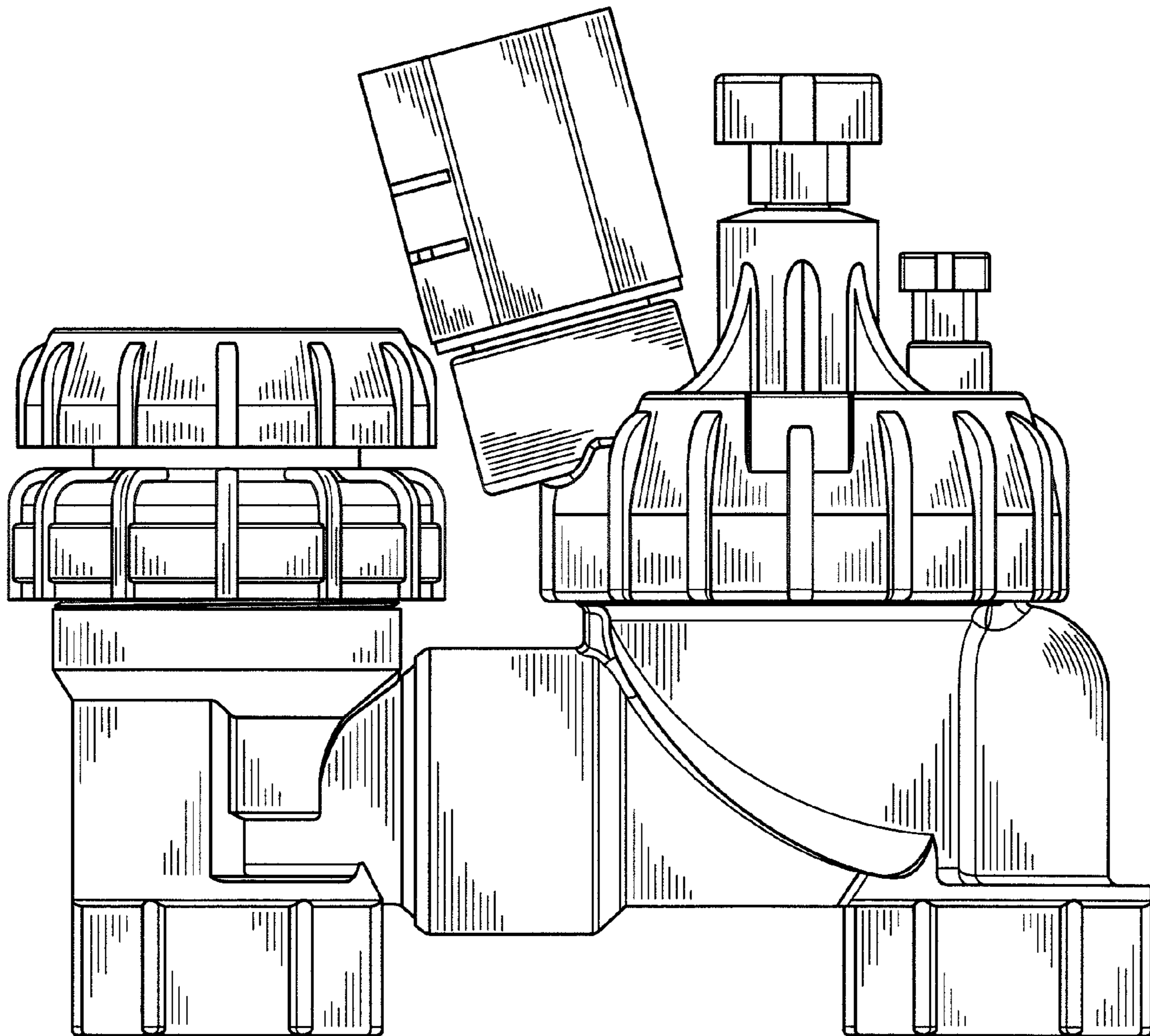


FIG. 3

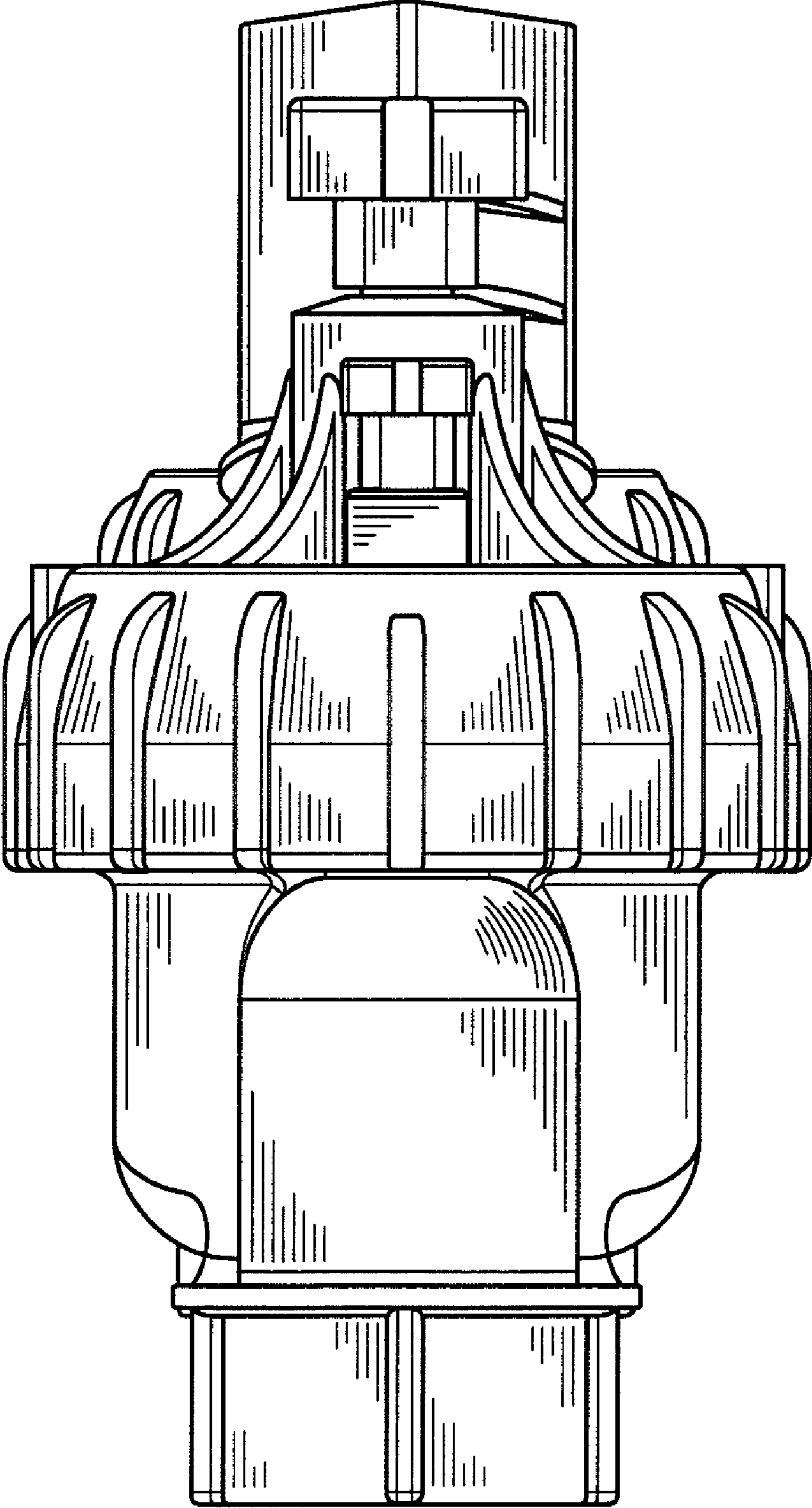


FIG. 4

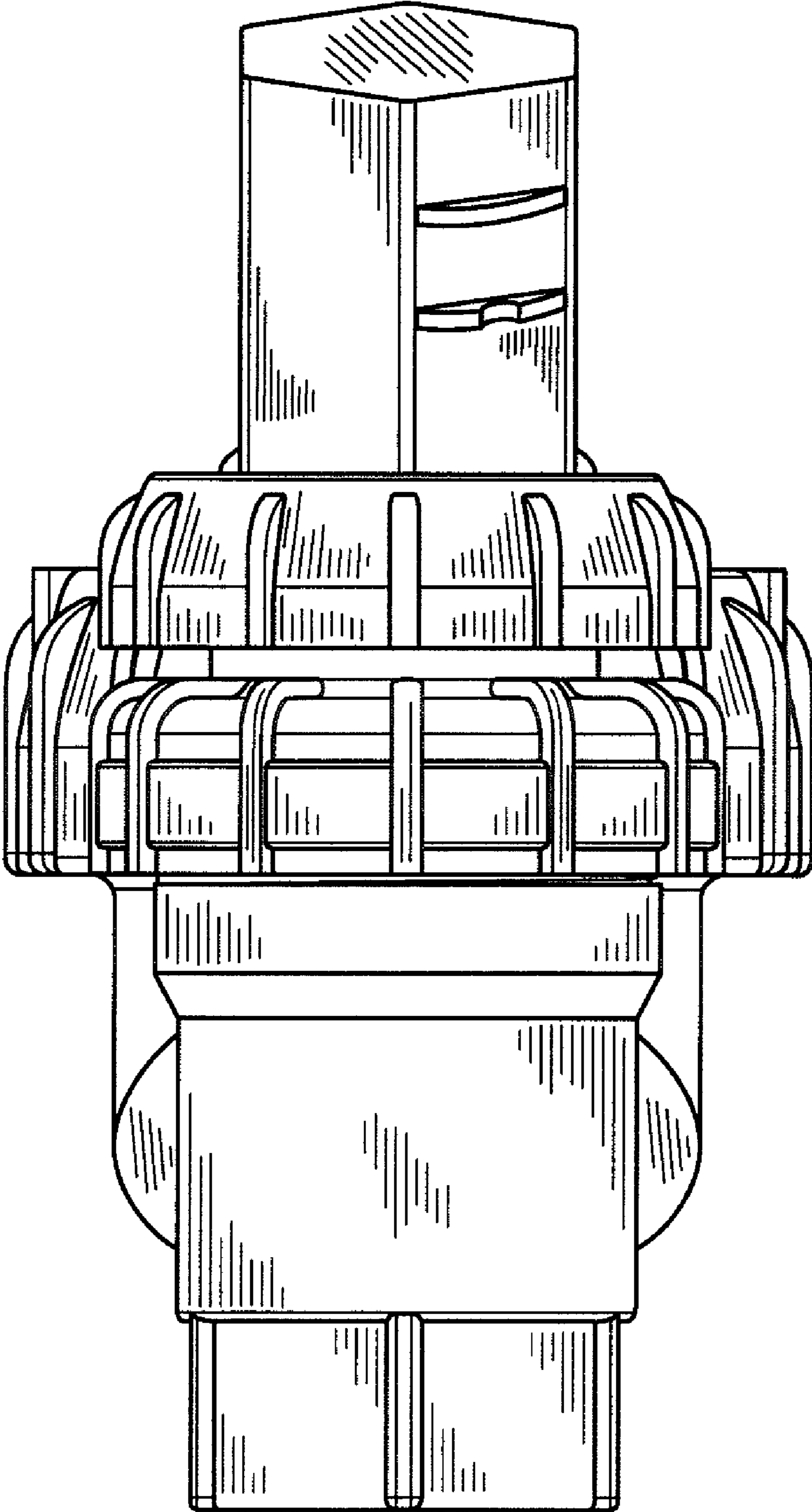


FIG. 5

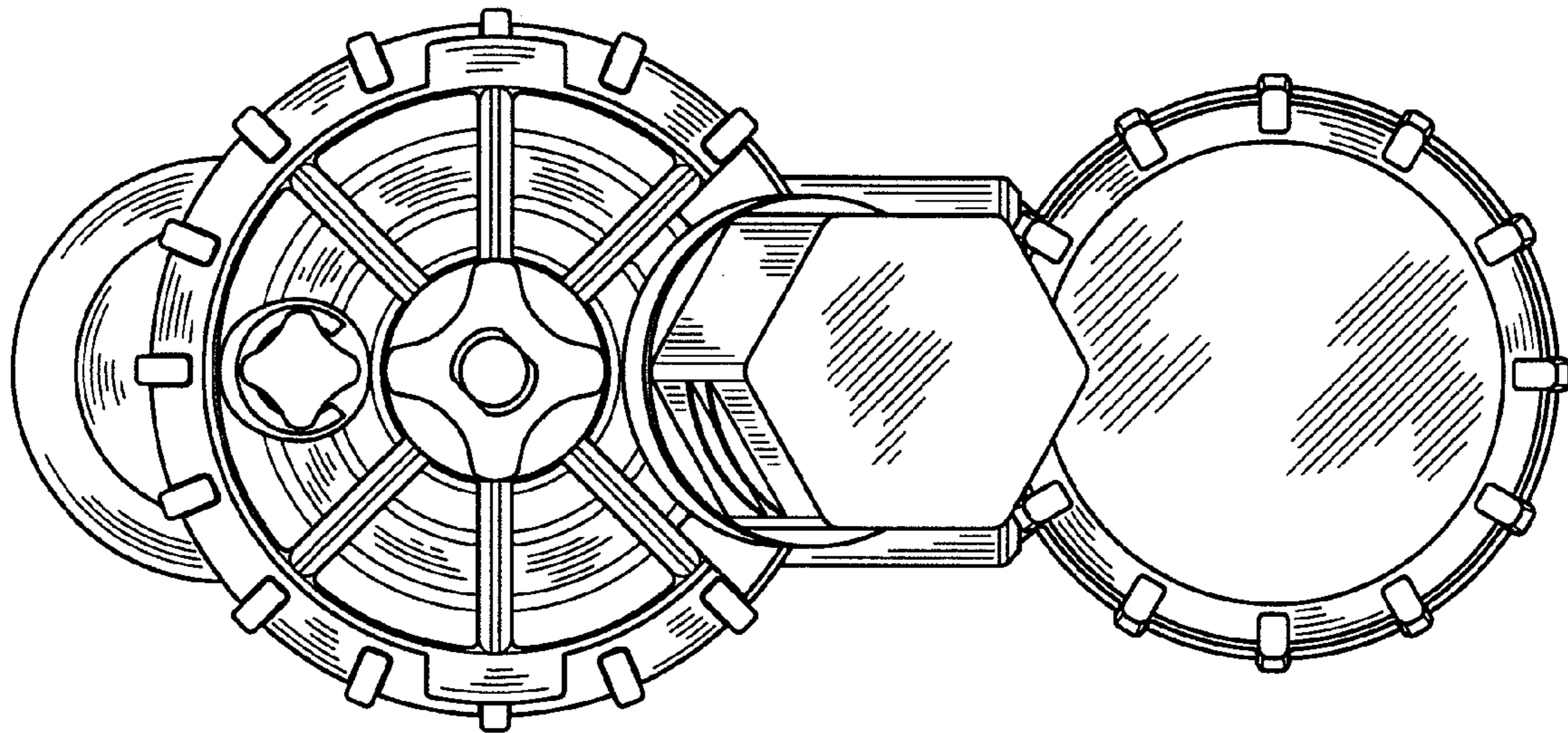


FIG. 6

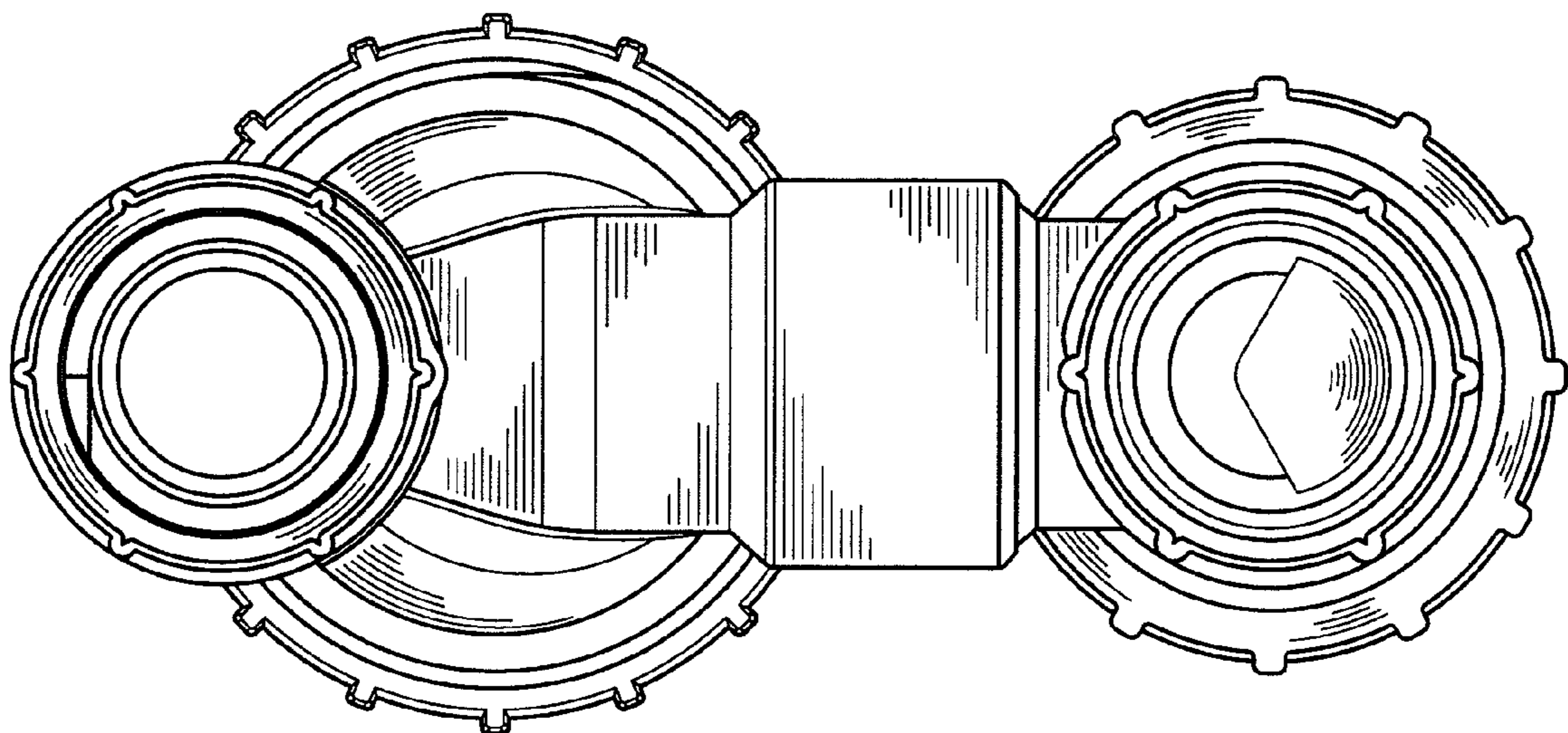


FIG. 7

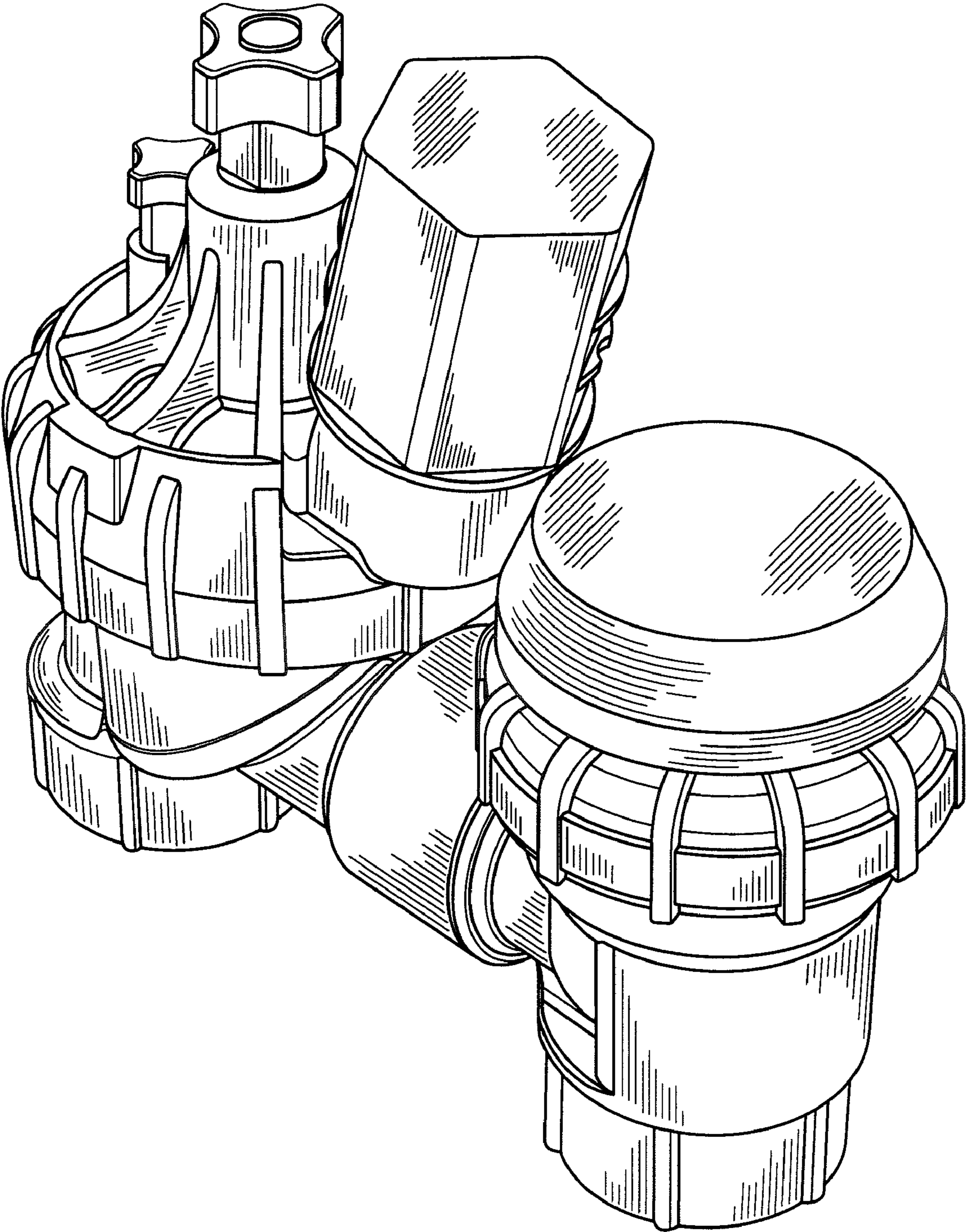


FIG. 8

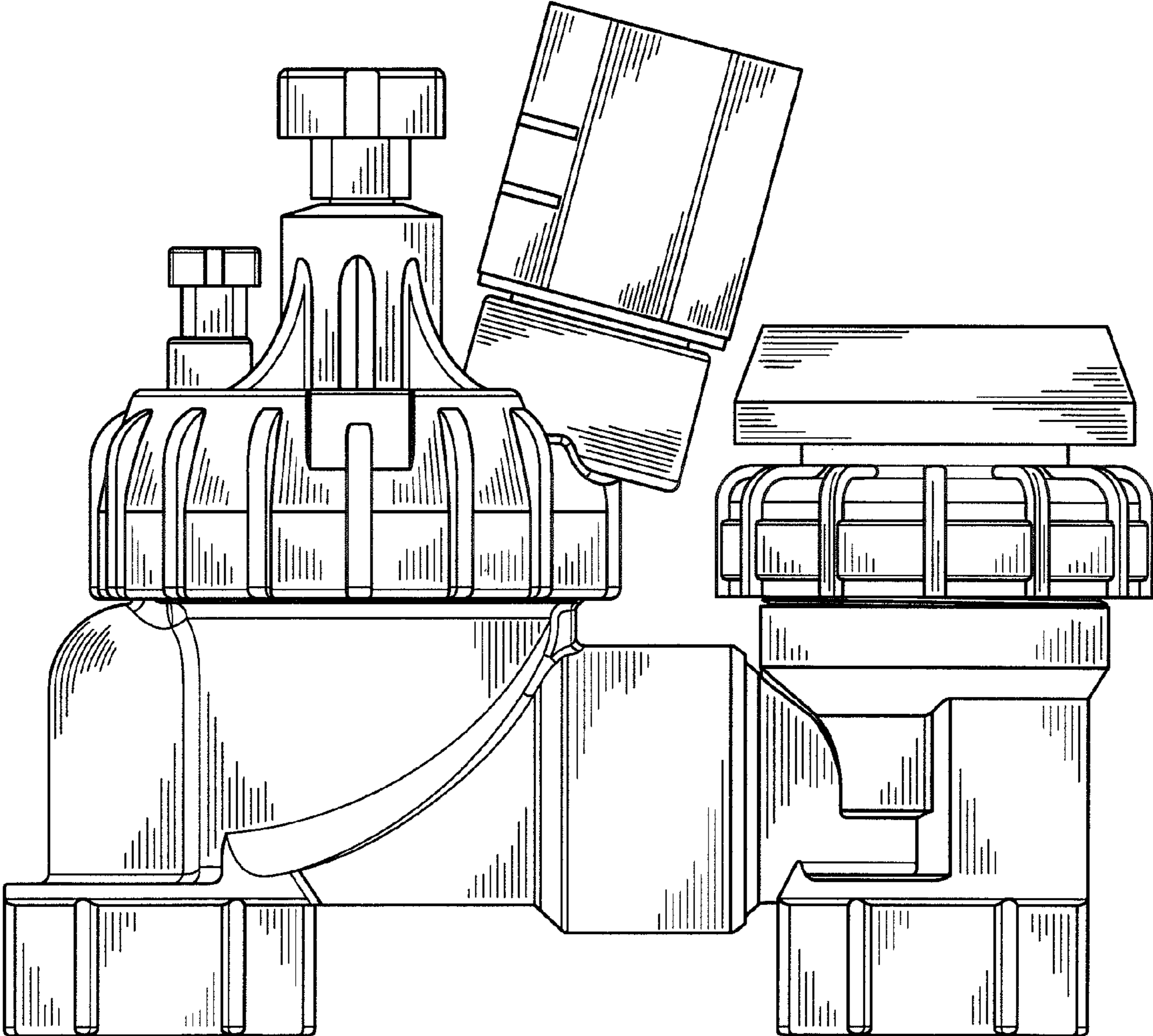


FIG. 9

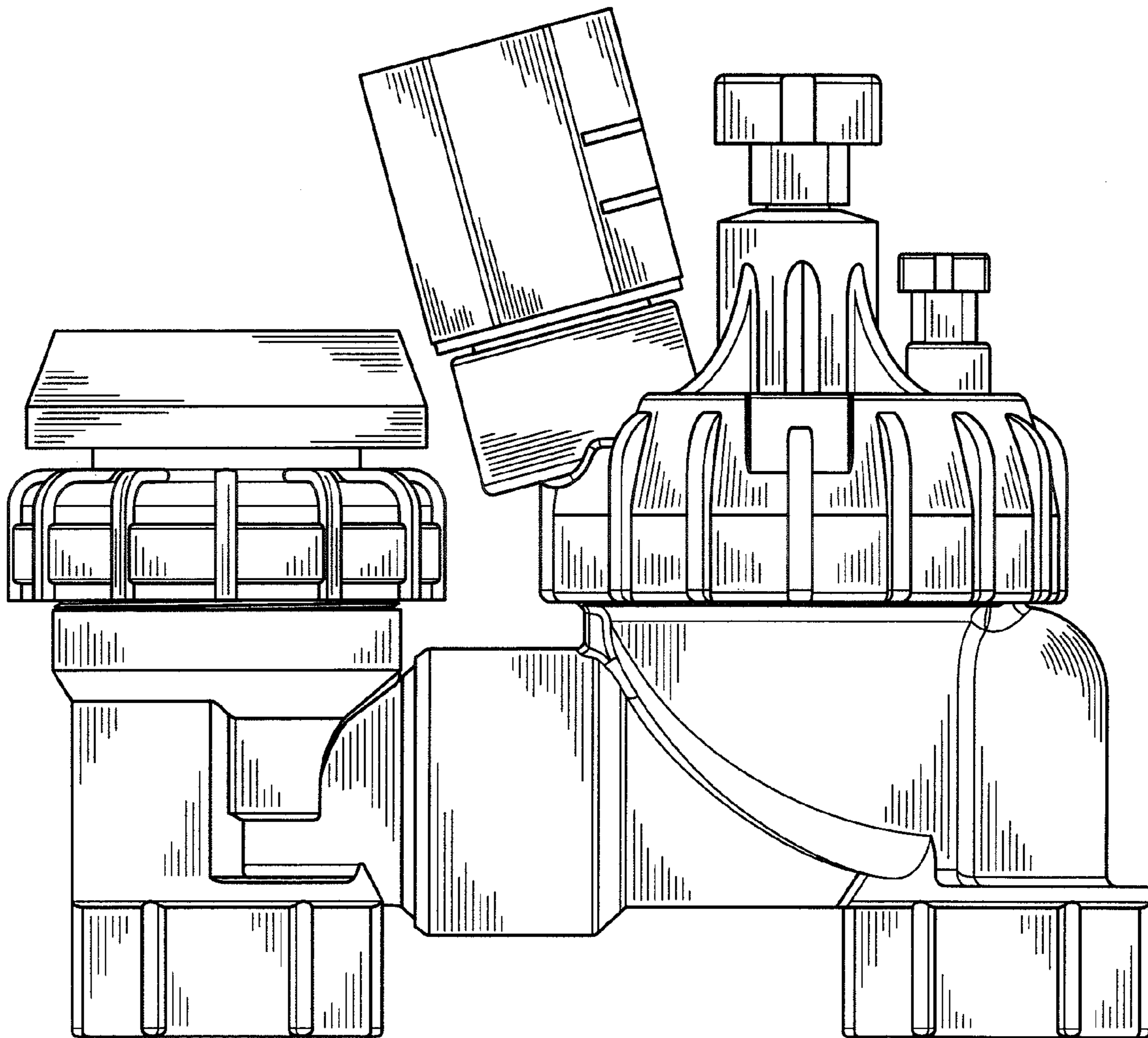


FIG. 10

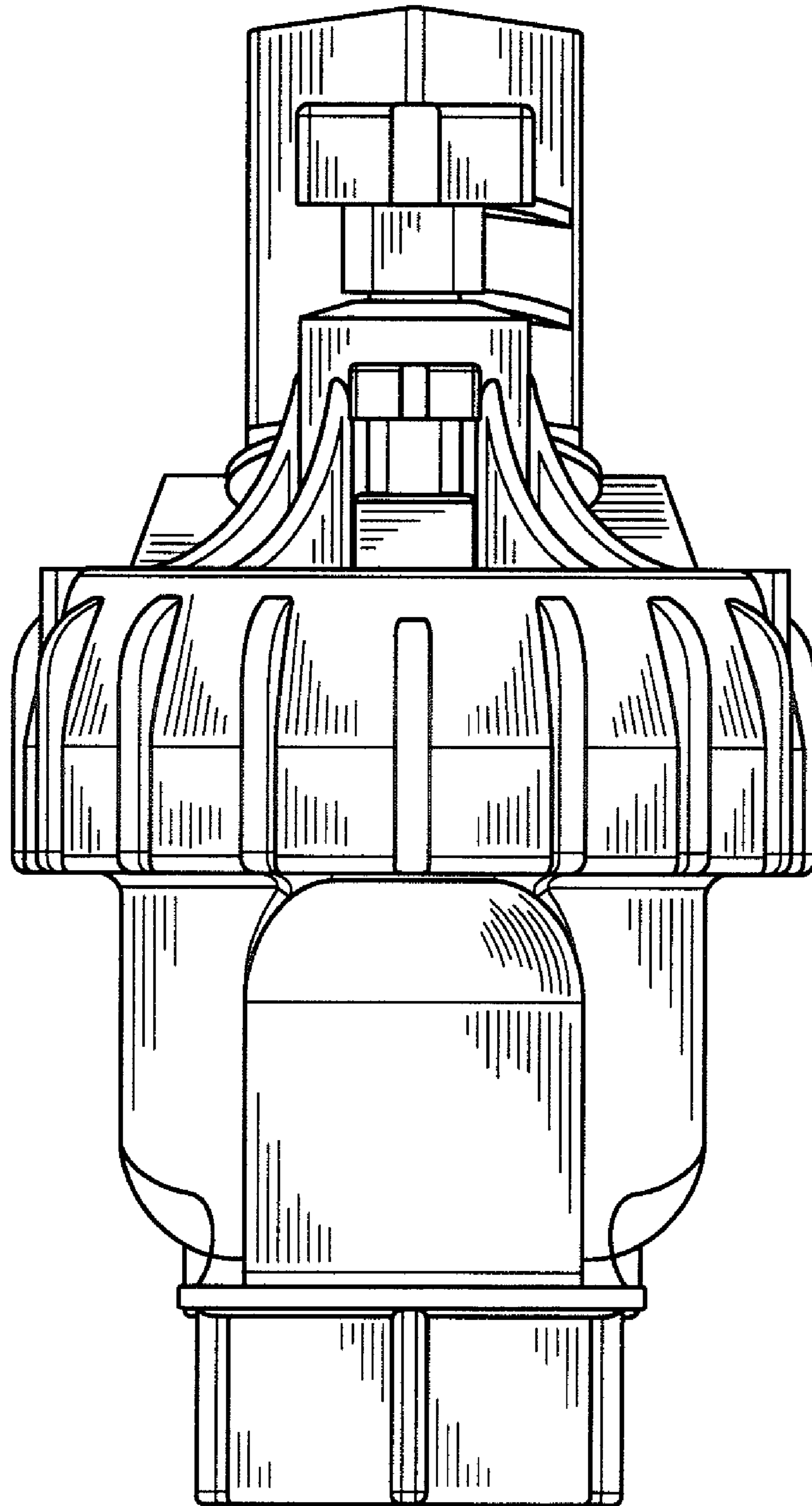


FIG. 11

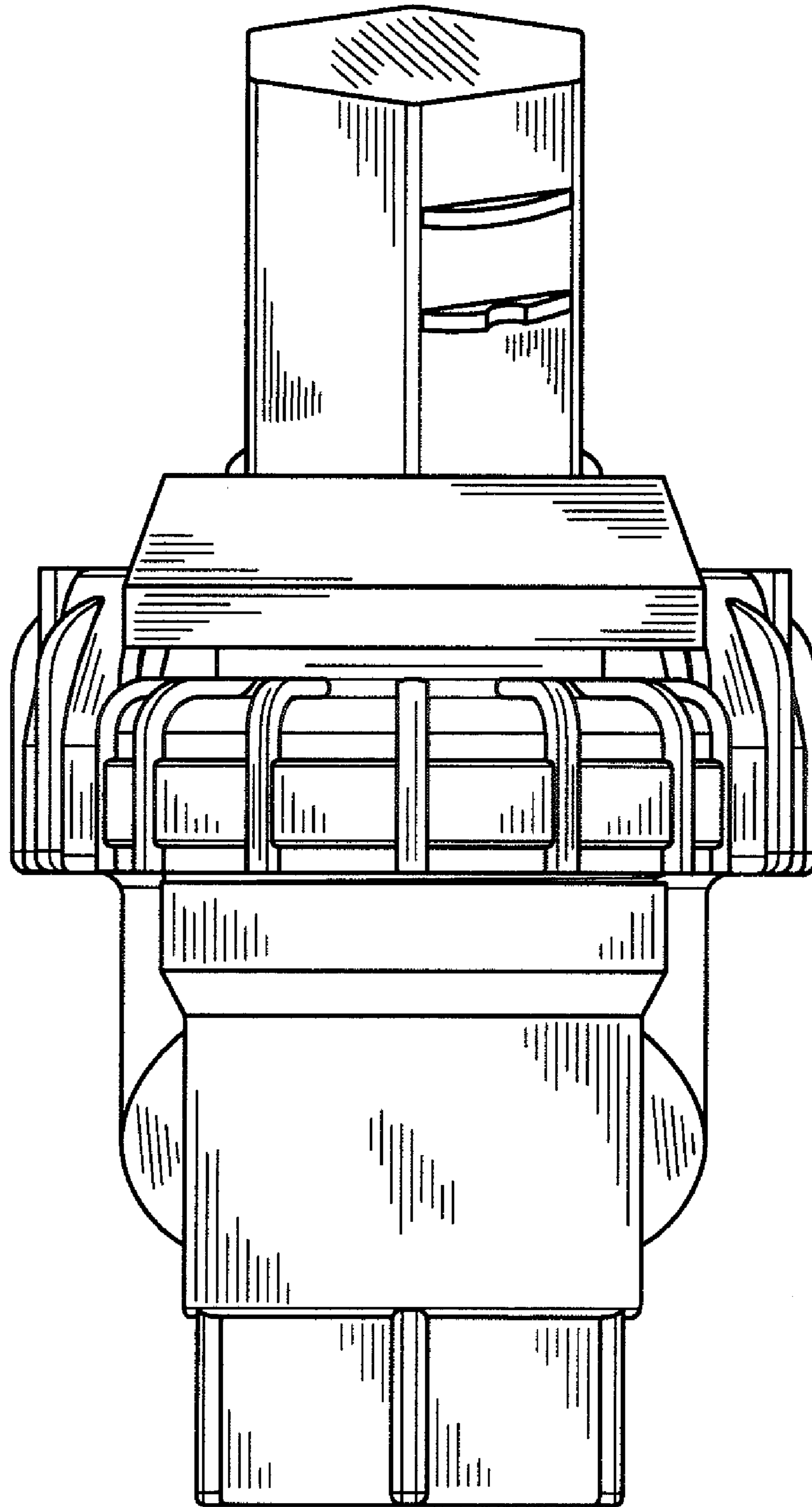


FIG. 12

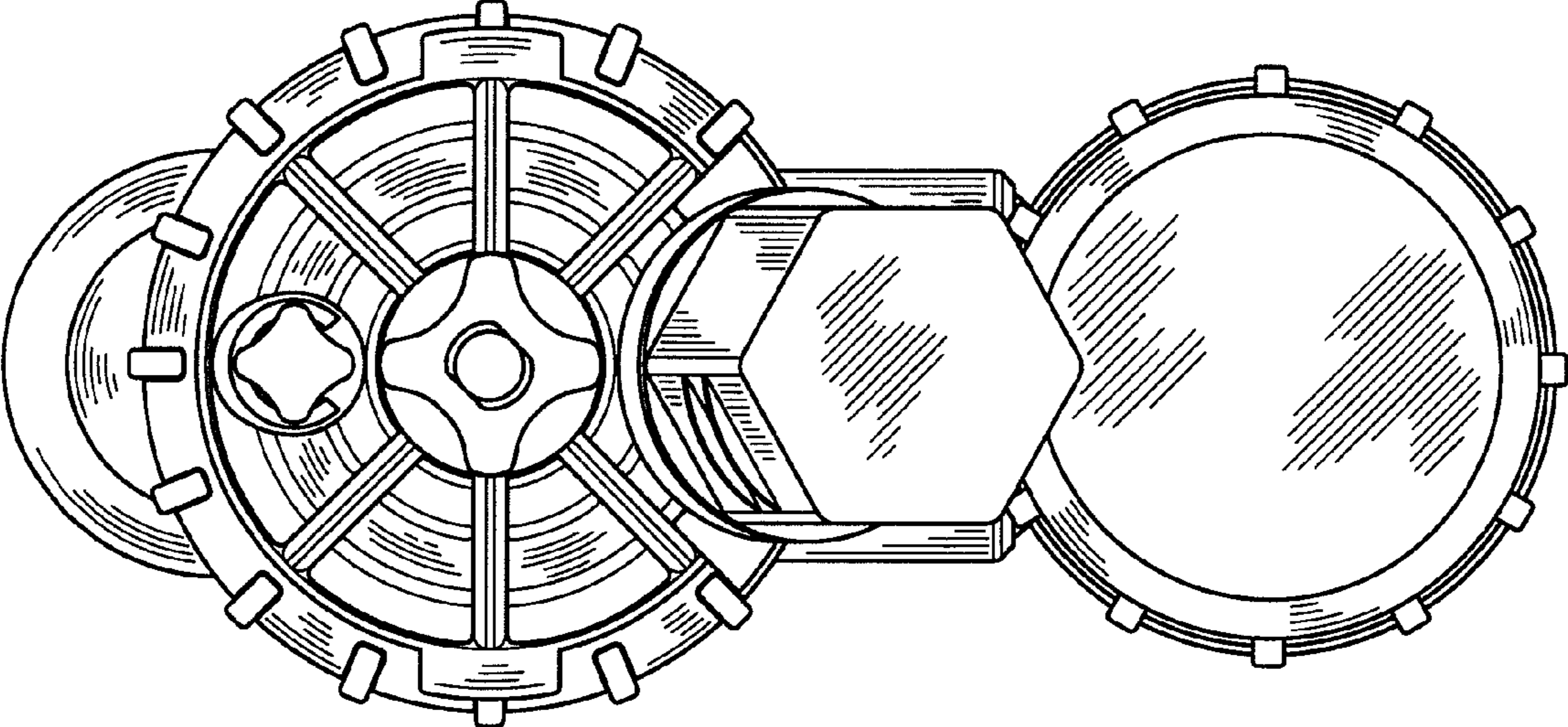


FIG. 13

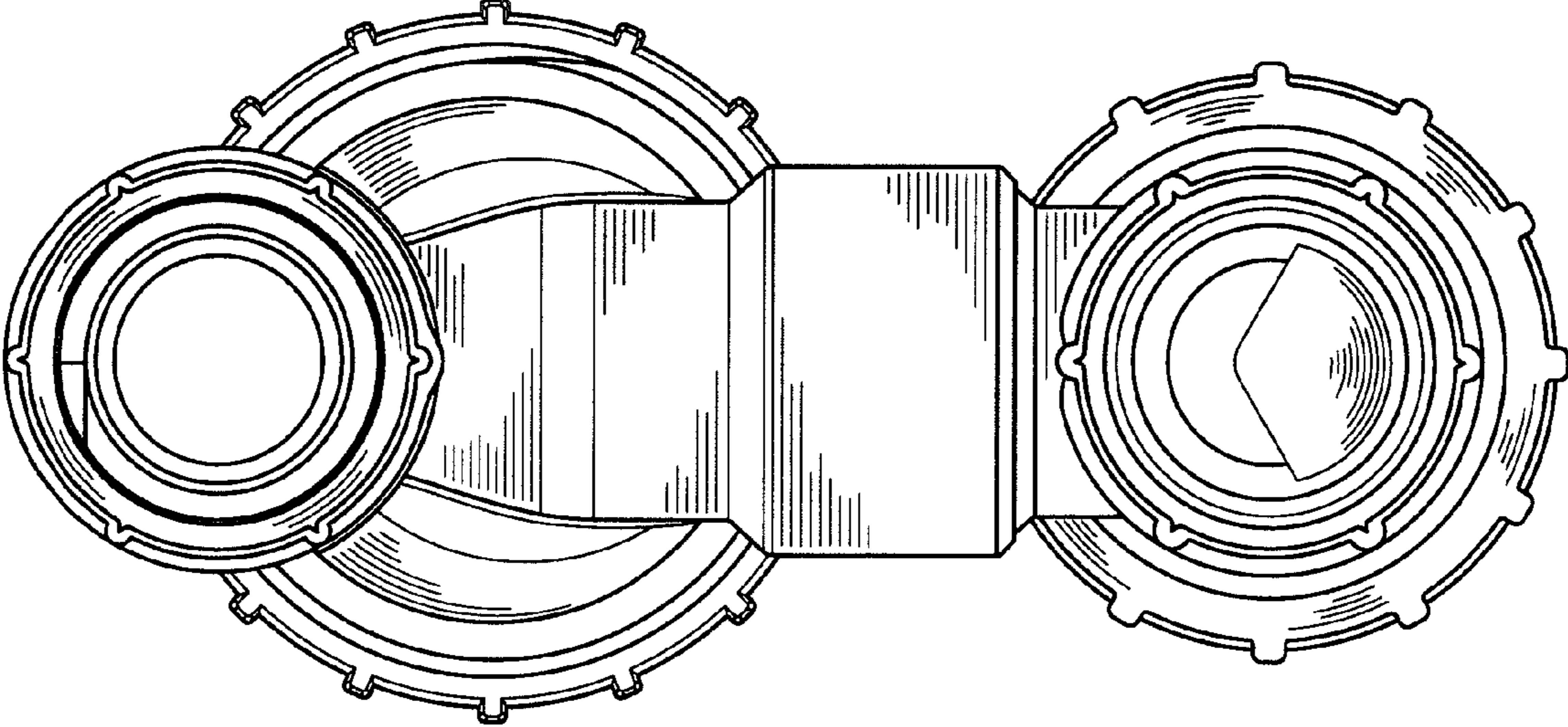


FIG. 14