



US00D559954S

(12) **United States Design Patent**
Bickler et al.

(10) **Patent No.:** **US D559,954 S**
(45) **Date of Patent:** **** Jan. 15, 2008**

(54) **BODY SPRAY**

(75) Inventors: **Marc Bickler**, Charlotte, NC (US);
Victor Hoernig, Lowell, IN (US);
Geraint Krumpe, Chicago, IL (US)

(73) Assignee: **Brasstech, Inc.**, Santa Ana, CA (US)

(**) Term: **14 Years**

(21) Appl. No.: **29/279,575**

(22) Filed: **May 3, 2007**

(51) **LOC (8) Cl.** **23-01**

(52) **U.S. Cl.** **D23/229; D23/213**

(58) **Field of Classification Search** D23/213,
D23/229-230, 223; 239/282-283; 4/615,
4/567, 570

See application file for complete search history.

(56) **References Cited**

U.S. PATENT DOCUMENTS

D334,046 S * 3/1993 Klose D23/213

D454,174 S * 3/2002 Taylor D23/229
D486,888 S * 2/2004 Lobermeier D23/229
D487,301 S * 3/2004 Haug et al. D23/229
D524,405 S * 7/2006 Hoernig D23/213

* cited by examiner

Primary Examiner—Robin V Webster

(74) *Attorney, Agent, or Firm*—Edgar A. Zarins; Lloyd D. Doigan

(57) **CLAIM**

The ornamental design for a body spray, as shown and described.

DESCRIPTION

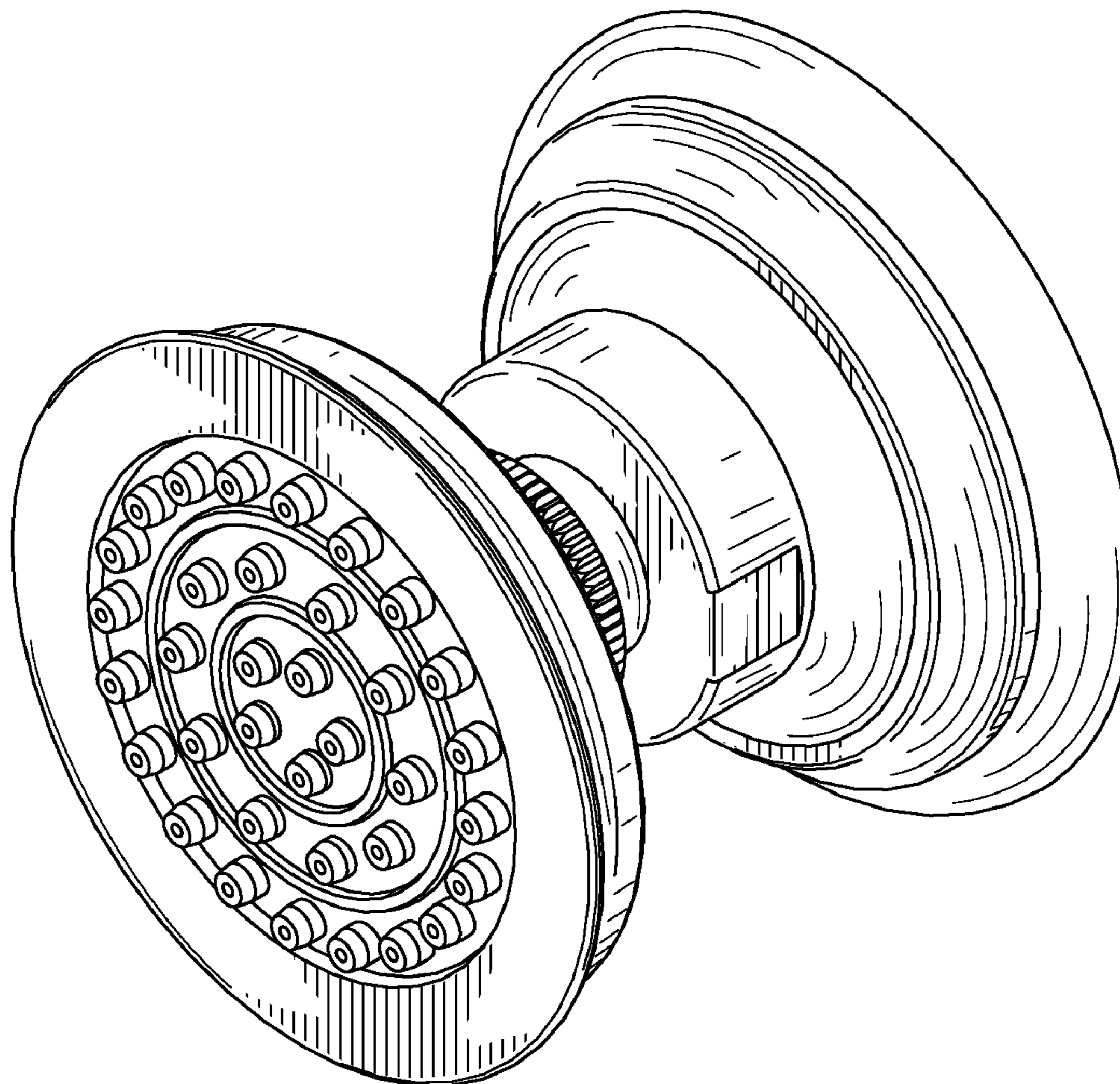
FIG. 1 is a front perspective view of a body spray showing our design;

FIG. 2 is a top plan view thereof;

FIG. 3 is a front elevational view thereof; and,

FIG. 4 is a left side elevational view thereof.

1 Claim, 4 Drawing Sheets



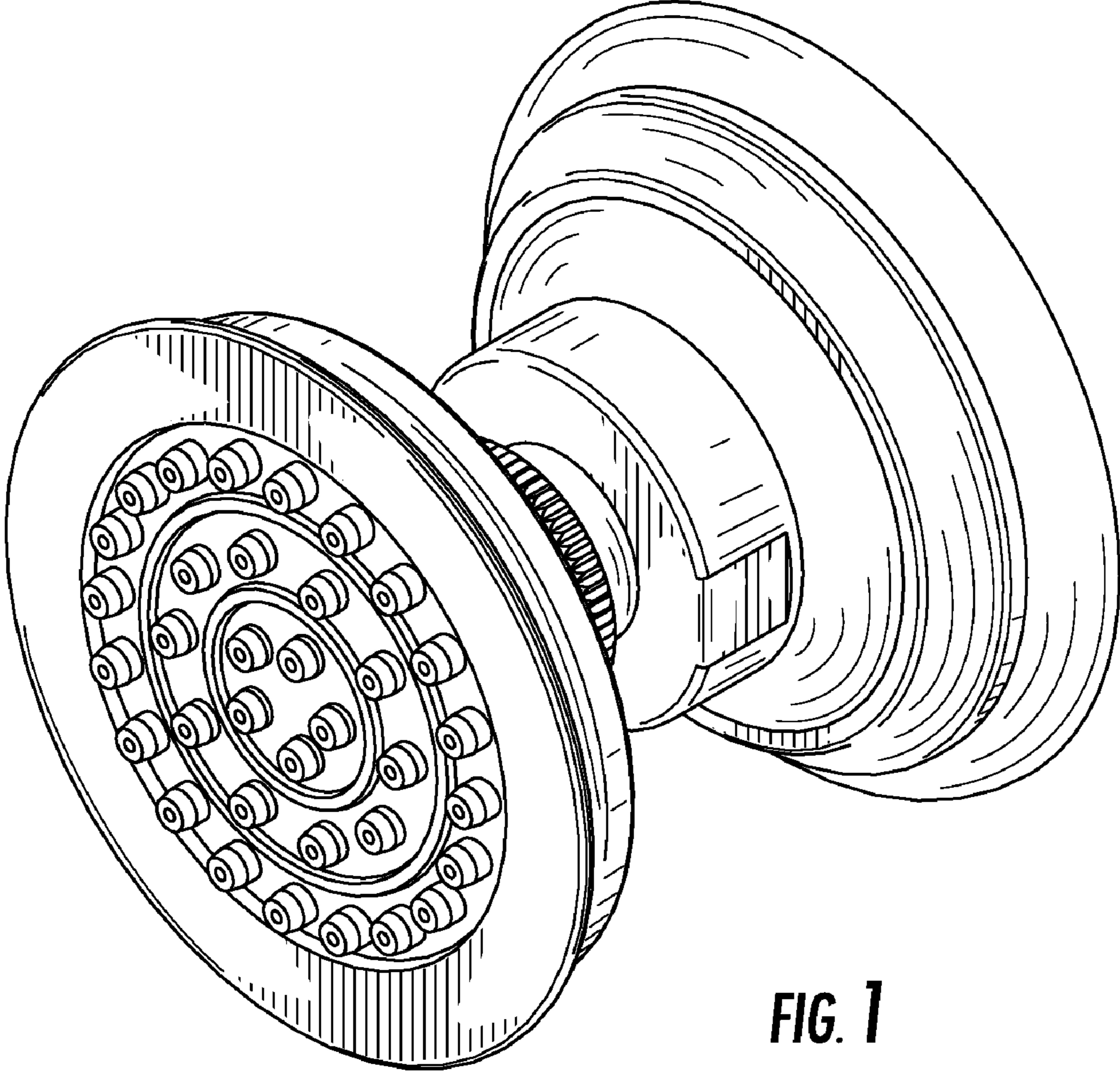


FIG. 1

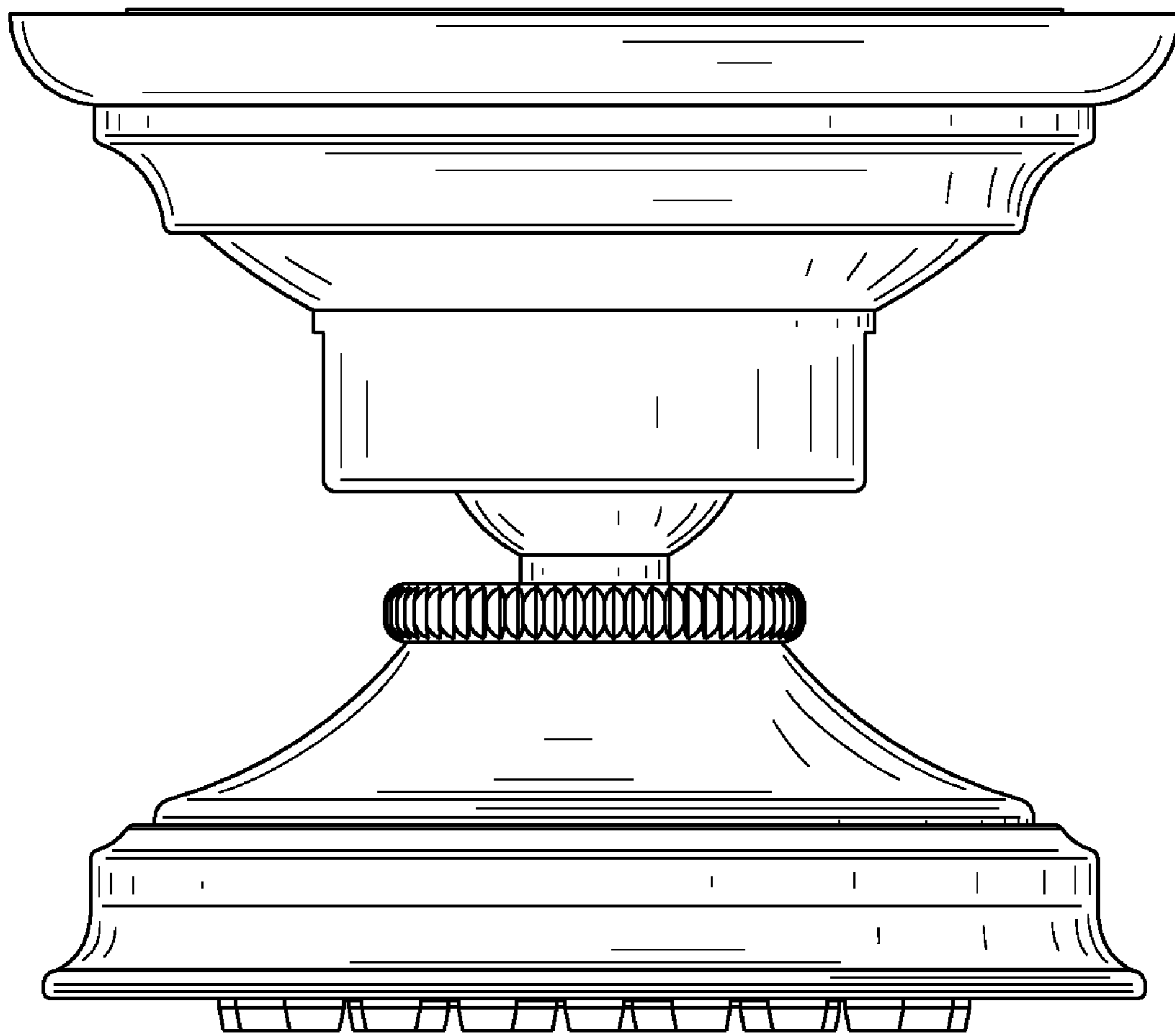


FIG. 2

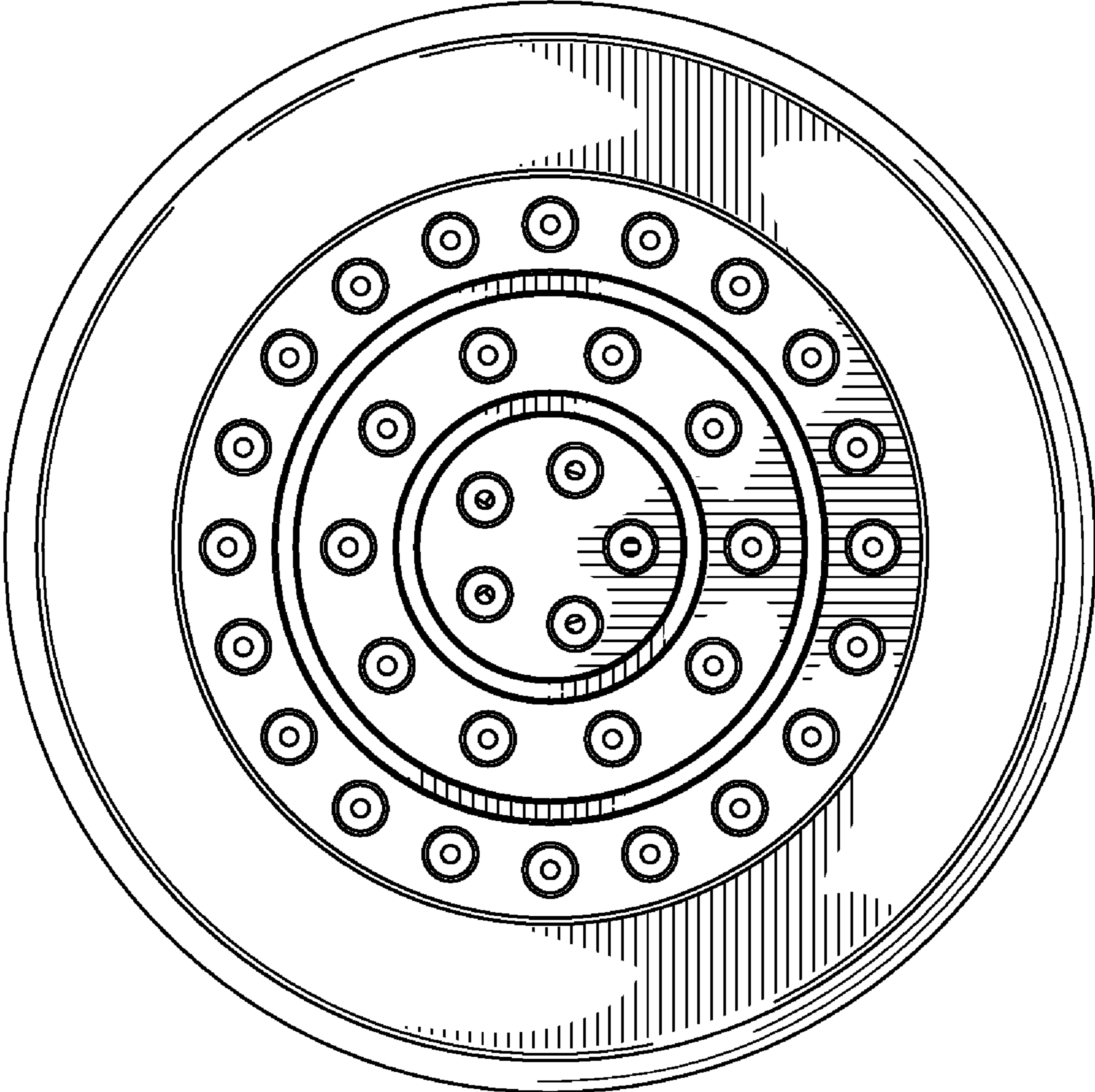


FIG. 3

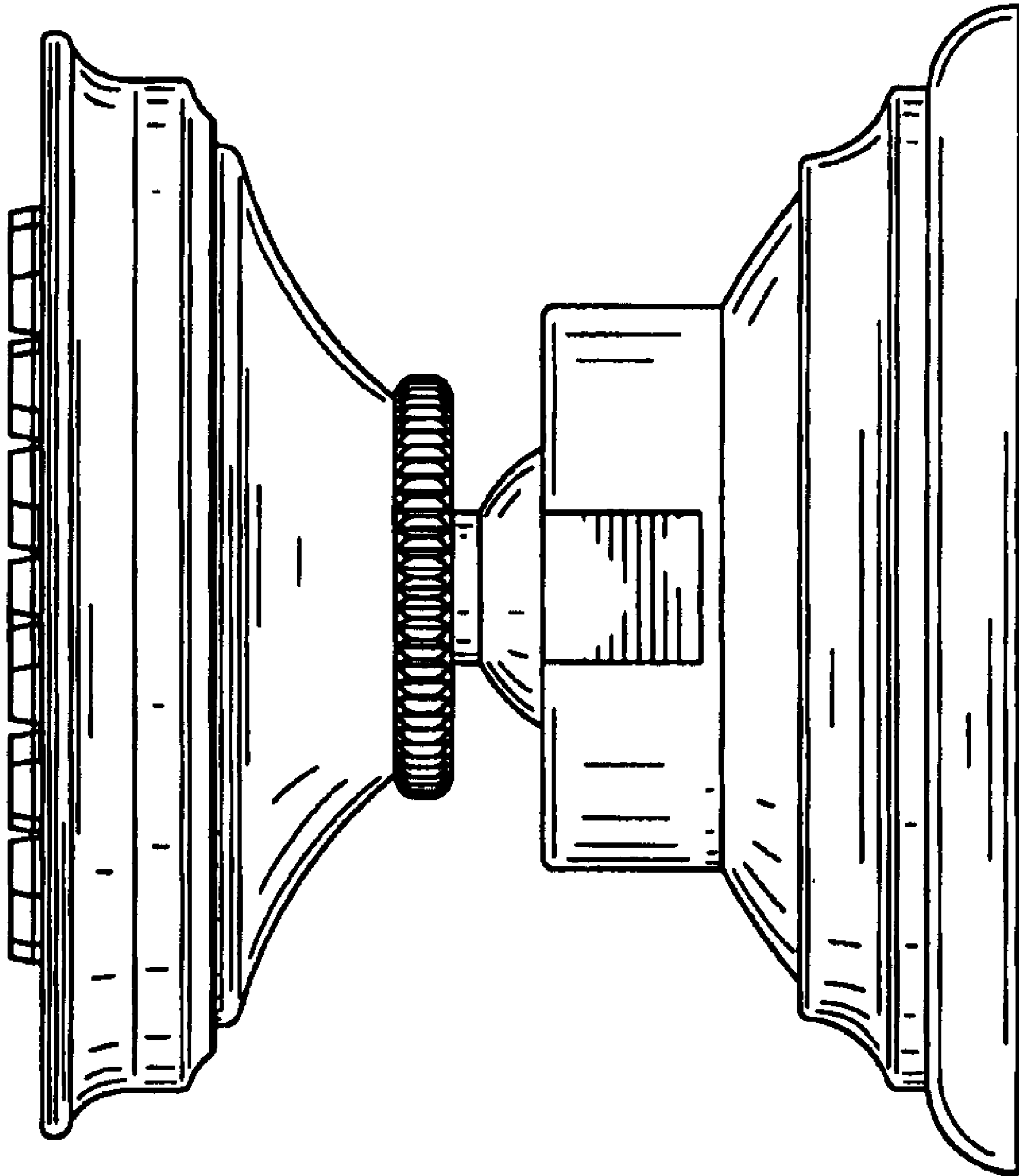


FIG. 4