



US00D559953S

(12) **United States Design Patent**  
**Bickler et al.**

(10) **Patent No.:** **US D559,953 S**

(45) **Date of Patent:** **\*\* Jan. 15, 2008**

(54) **SHOWER HEAD**

D538,390 S \* 3/2007 Sallick et al. .... D23/213  
D549,302 S \* 8/2007 Haug et al. .... D23/213

(75) Inventors: **Marc Bickler**, Charlotte, NC (US);  
**Victor Hoernig**, Lowell, IN (US);  
**Geraint Krumpe**, Chicago, IL (US)

\* cited by examiner

*Primary Examiner*—Robin V Webster

(73) Assignee: **Brasstech, Inc.**, Santa Ana, CA (US)

(74) *Attorney, Agent, or Firm*—Edgar A. Zarins; Lloyd D. Doigan

(\*\*) Term: **14 Years**

(57) **CLAIM**

(21) Appl. No.: **29/279,573**

The ornamental design for a shower head, as shown and described.

(22) Filed: **May 3, 2007**

**DESCRIPTION**

(51) **LOC (8) Cl.** ..... **23-01**

FIG. 1 is a front perspective view of a shower head showing our design;

(52) **U.S. Cl.** ..... **D23/229**

FIG. 2 is a top plan view thereof;

(58) **Field of Classification Search** ..... D23/213,  
D23/229–230, 223

FIG. 3 is a bottom plan view thereof;

See application file for complete search history.

FIG. 4 is a front elevational view thereof;

FIG. 5 is a left side elevational view thereof; and,

FIG. 6 is a right side elevational view thereof.

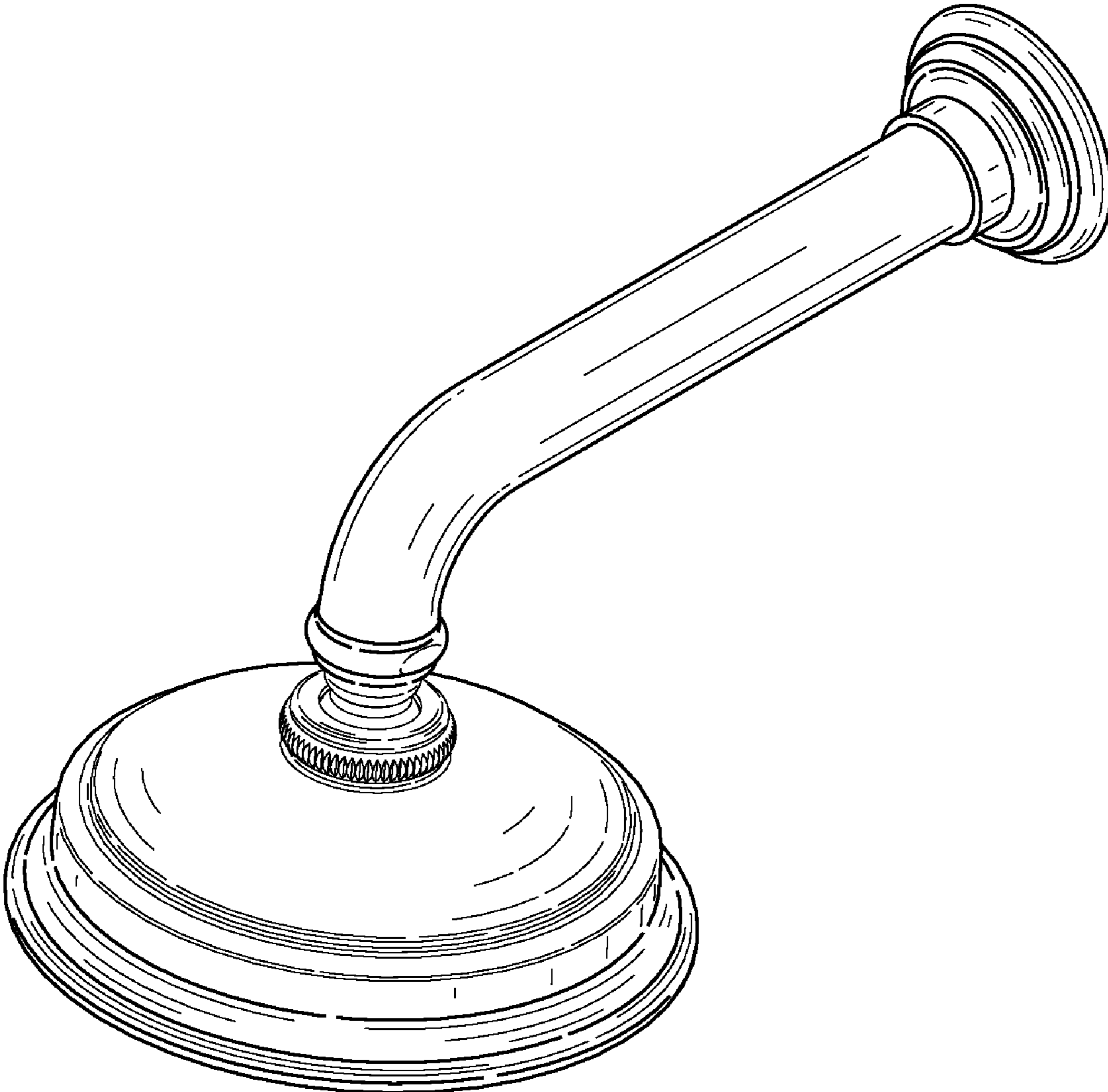
(56) **References Cited**

U.S. PATENT DOCUMENTS

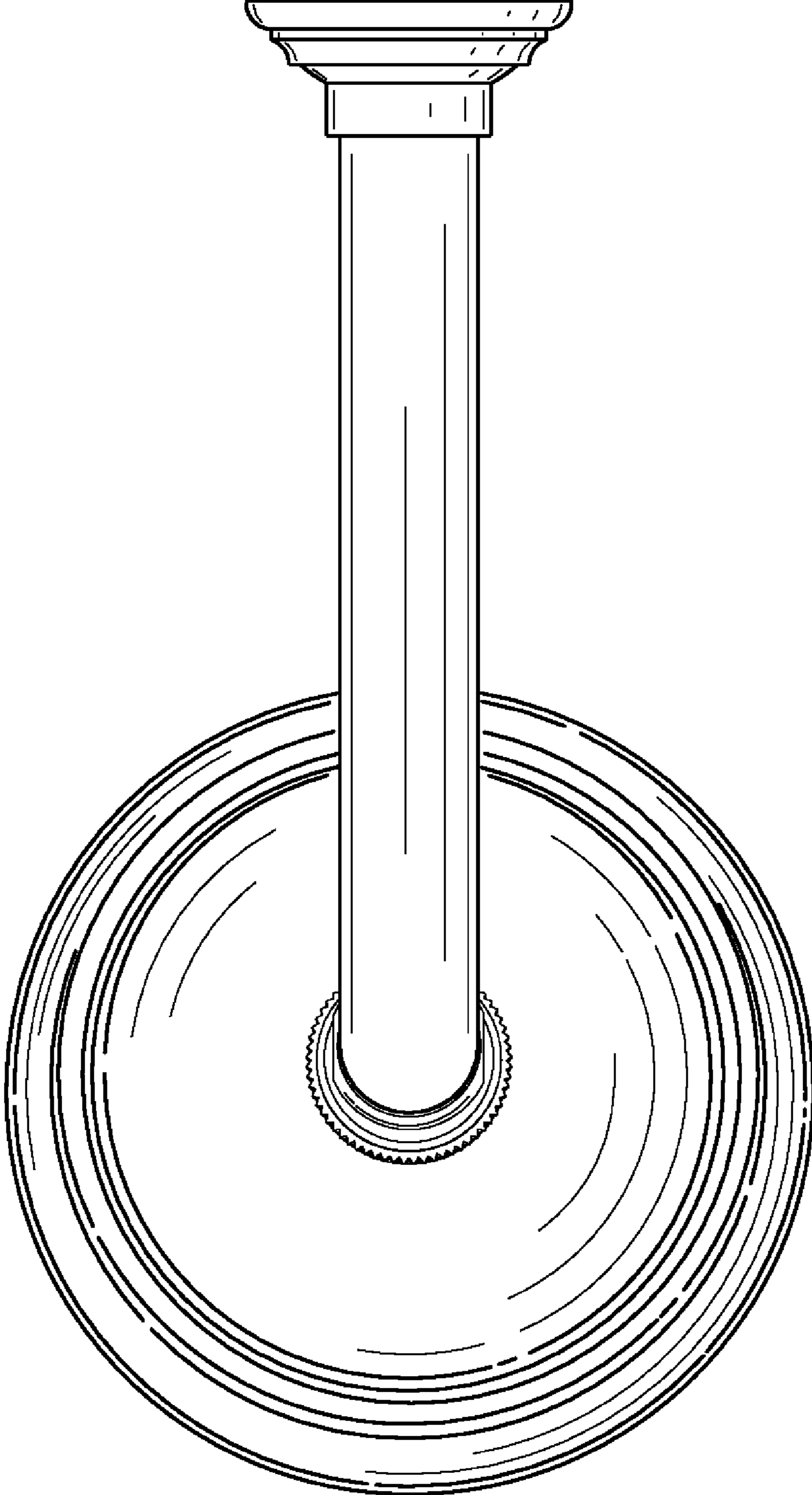
D463,528 S \* 9/2002 Ouyoung ..... D23/230  
D475,433 S \* 6/2003 Citterio ..... D23/213

**1 Claim, 6 Drawing Sheets**

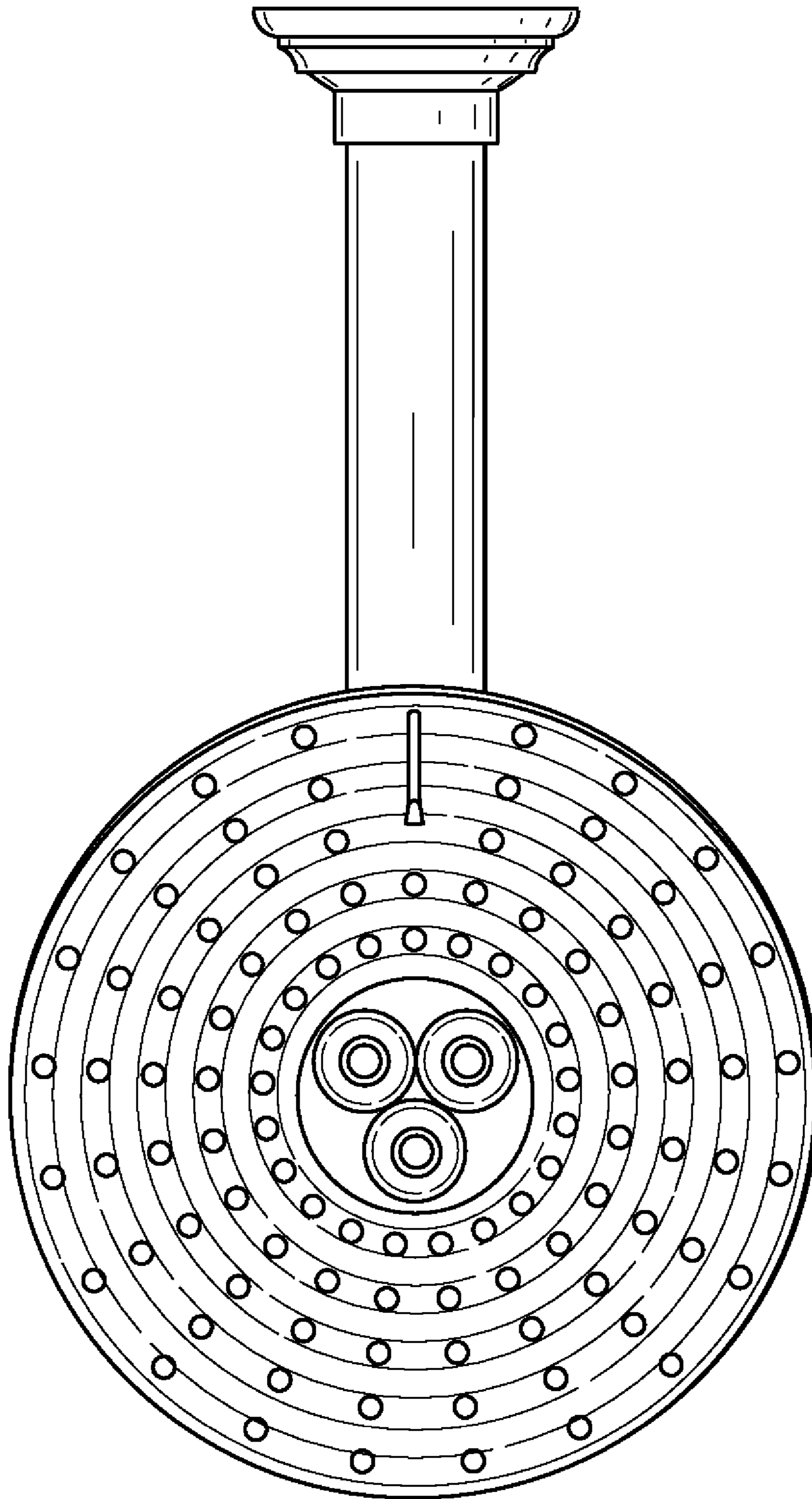




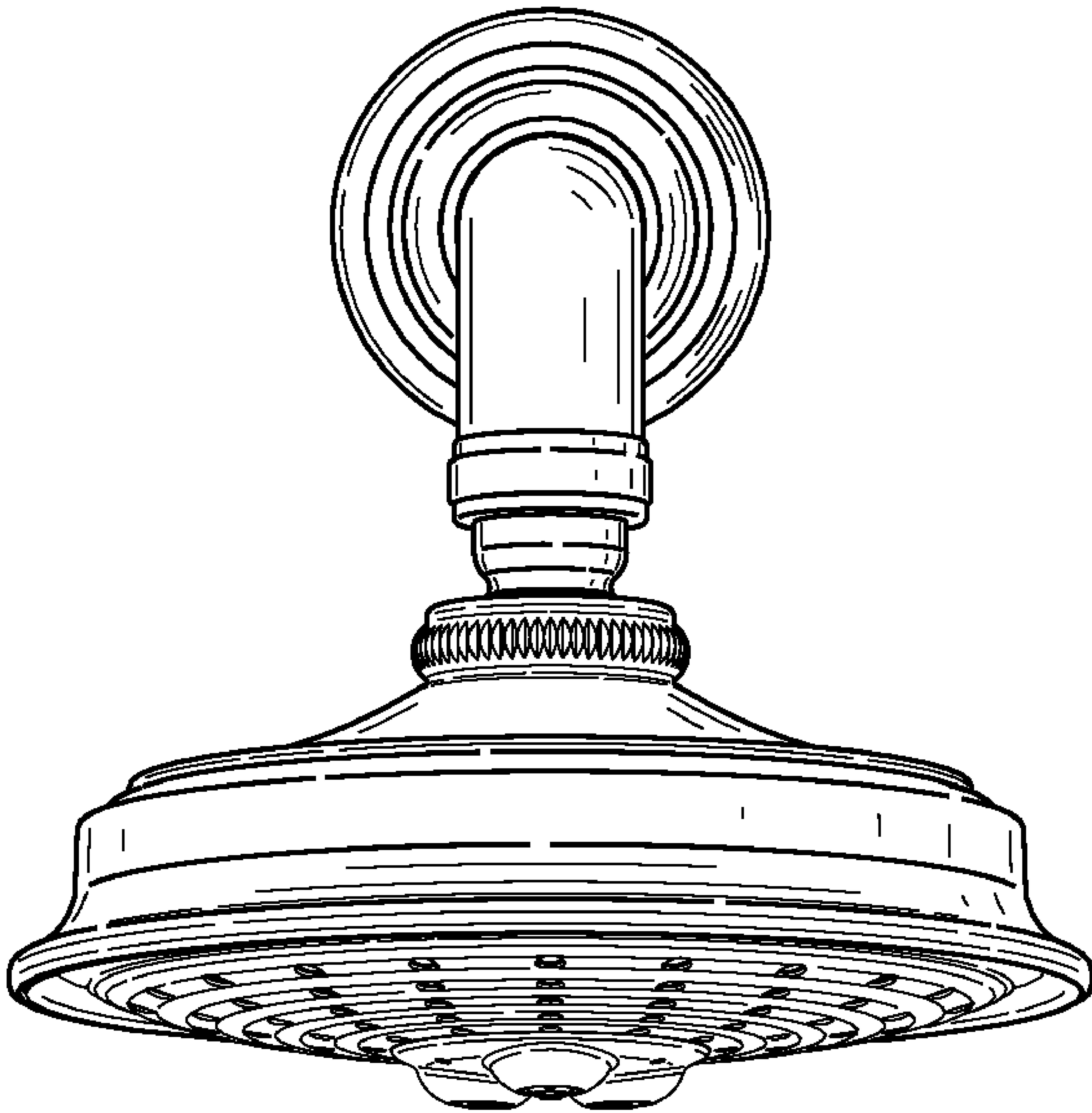
**FIG. 1**



**FIG. 2**

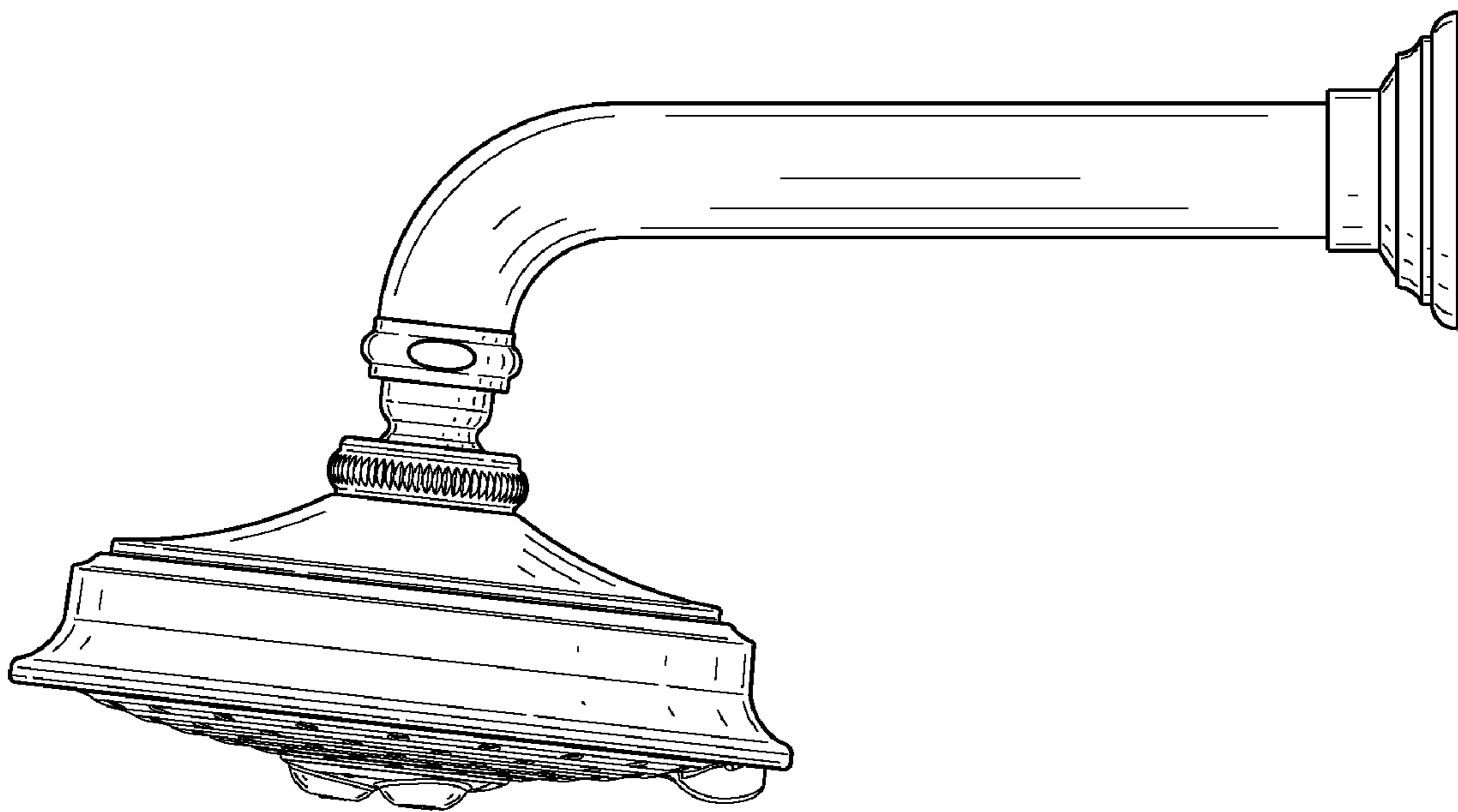


**FIG. 3**

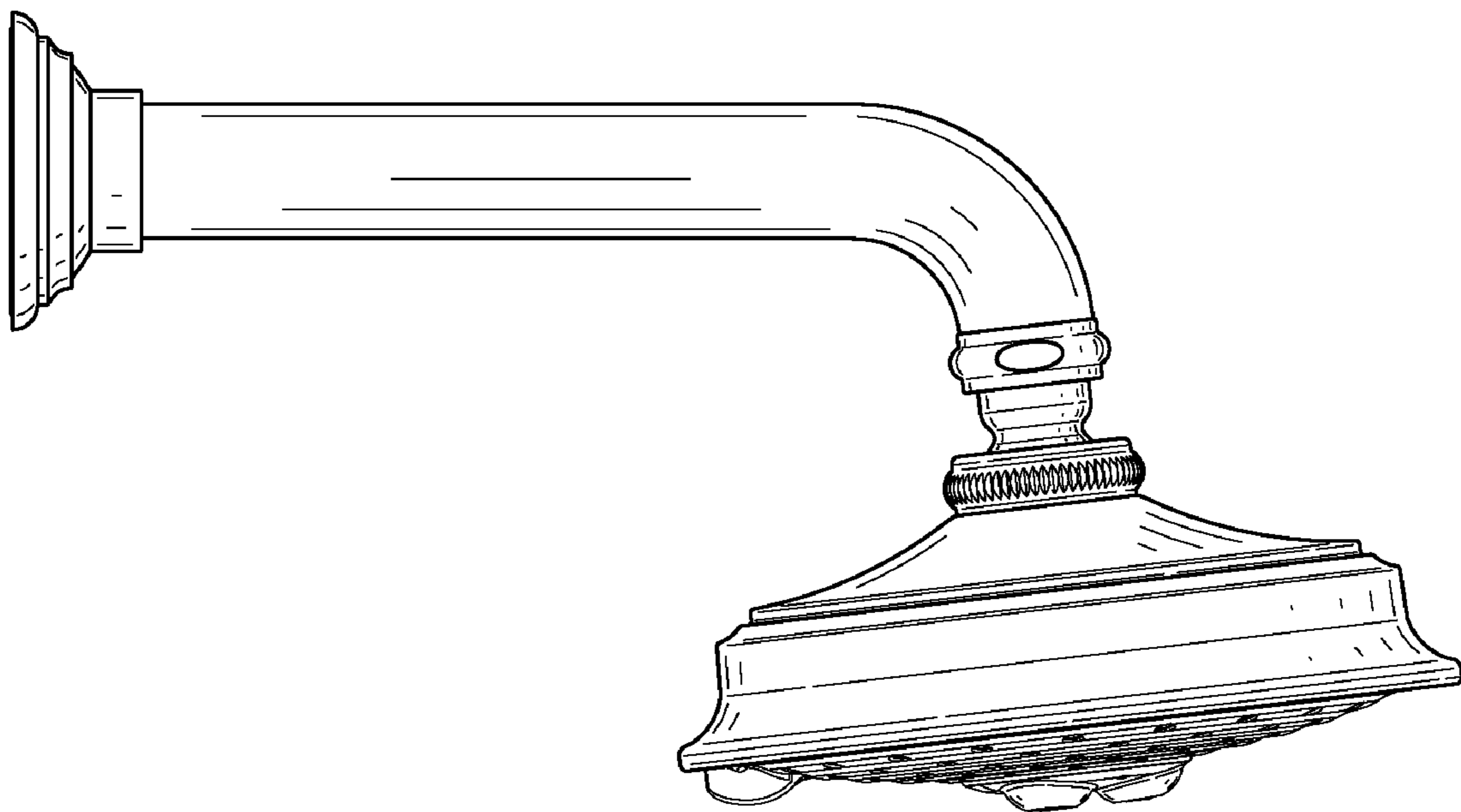


**FIG. 4**





**FIG. 5**



**FIG. 6**