



US00D559950S

(12) **United States Design Patent**
Tse

(10) **Patent No.:** **US D559,950 S**
(45) **Date of Patent:** **** Jan. 15, 2008**

(54) **WALL MOUNT SHOWER HEAD**

D533,920 S * 12/2006 Dingler et al. D23/229

(76) Inventor: **Hing Fai Gary Tse**, Room 1908-11,
19th Floor, Telford House, 16 Wang Hoi
Road, Kowloon Bay (HK)

* cited by examiner

Primary Examiner—Robin V. Webster

(**) Term: **14 Years**

(57) **CLAIM**

(21) Appl. No.: **29/250,558**

The ornamental design for a wall mount shower head, as shown.

(22) Filed: **Nov. 20, 2006**

DESCRIPTION

(51) **LOC (8) Cl.** **23-01**

The claimed wall mount shower head is used for releasing drops of water through the small holes.

(52) **U.S. Cl.** **D23/229**

(58) **Field of Classification Search** D23/213,
D23/223, 226, 229, 230; 239/525-7, 282-3,
239/394

FIG. 1 is a front elevational view of a wall mount shower head showing my new design;

See application file for complete search history.

FIG. 2 is a rear elevational view thereof;

(56) **References Cited**

FIG. 3 is a left side view thereof;

U.S. PATENT DOCUMENTS

FIG. 4 is a right side view thereof;

D115,795 S * 7/1939 Reinecke D23/230

FIG. 5 is a top plan view thereof;

D313,456 S * 1/1991 Presman D23/213

FIG. 6 is a bottom plan view thereof; and,

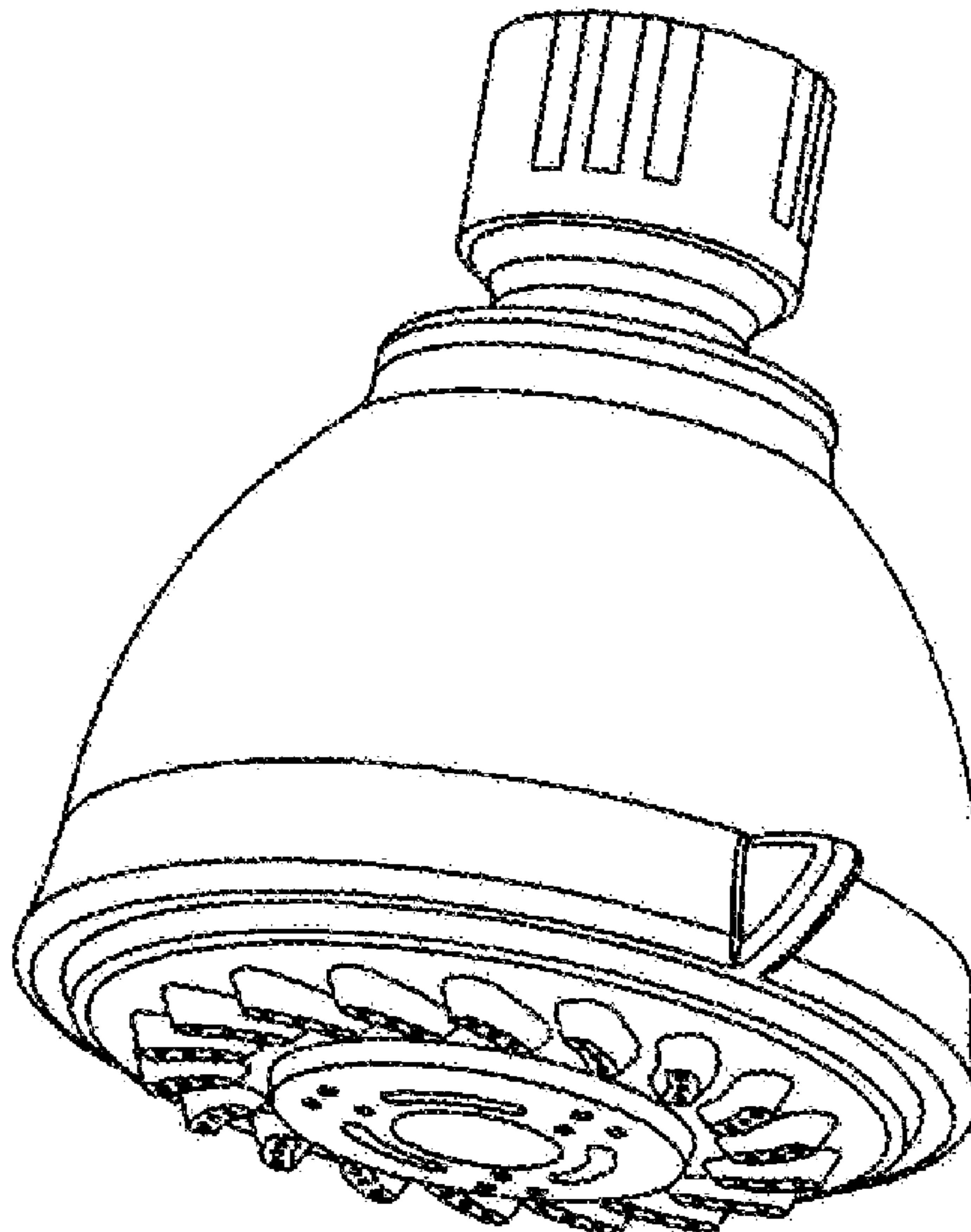
D443,029 S * 5/2001 Kollmann et al. D23/229

FIG. 7 is a perspective view thereof.

D471,253 S * 3/2003 Tse D23/229

D530,390 S * 10/2006 Tse D23/213

1 Claim, 4 Drawing Sheets



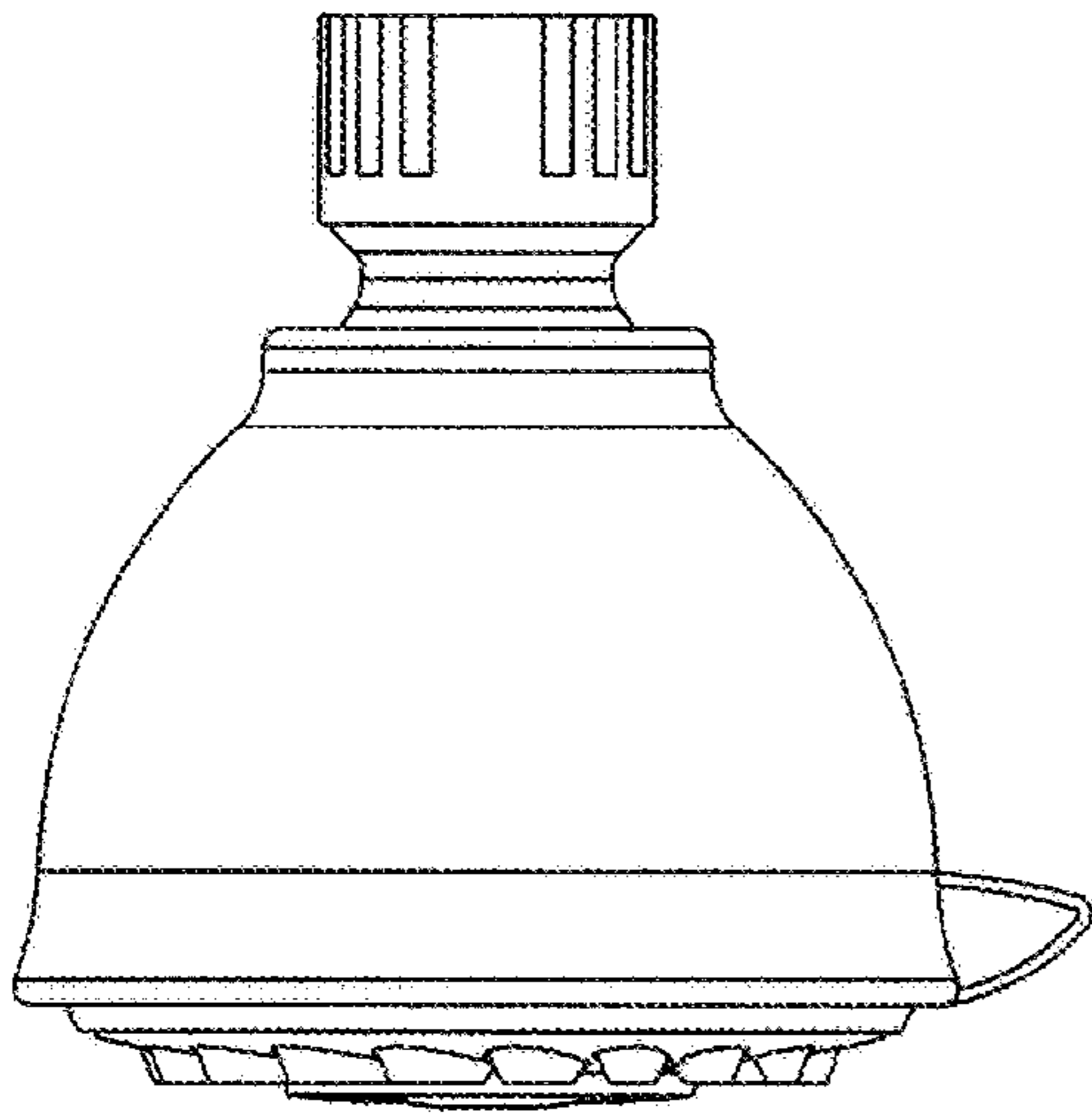


FIG. 1

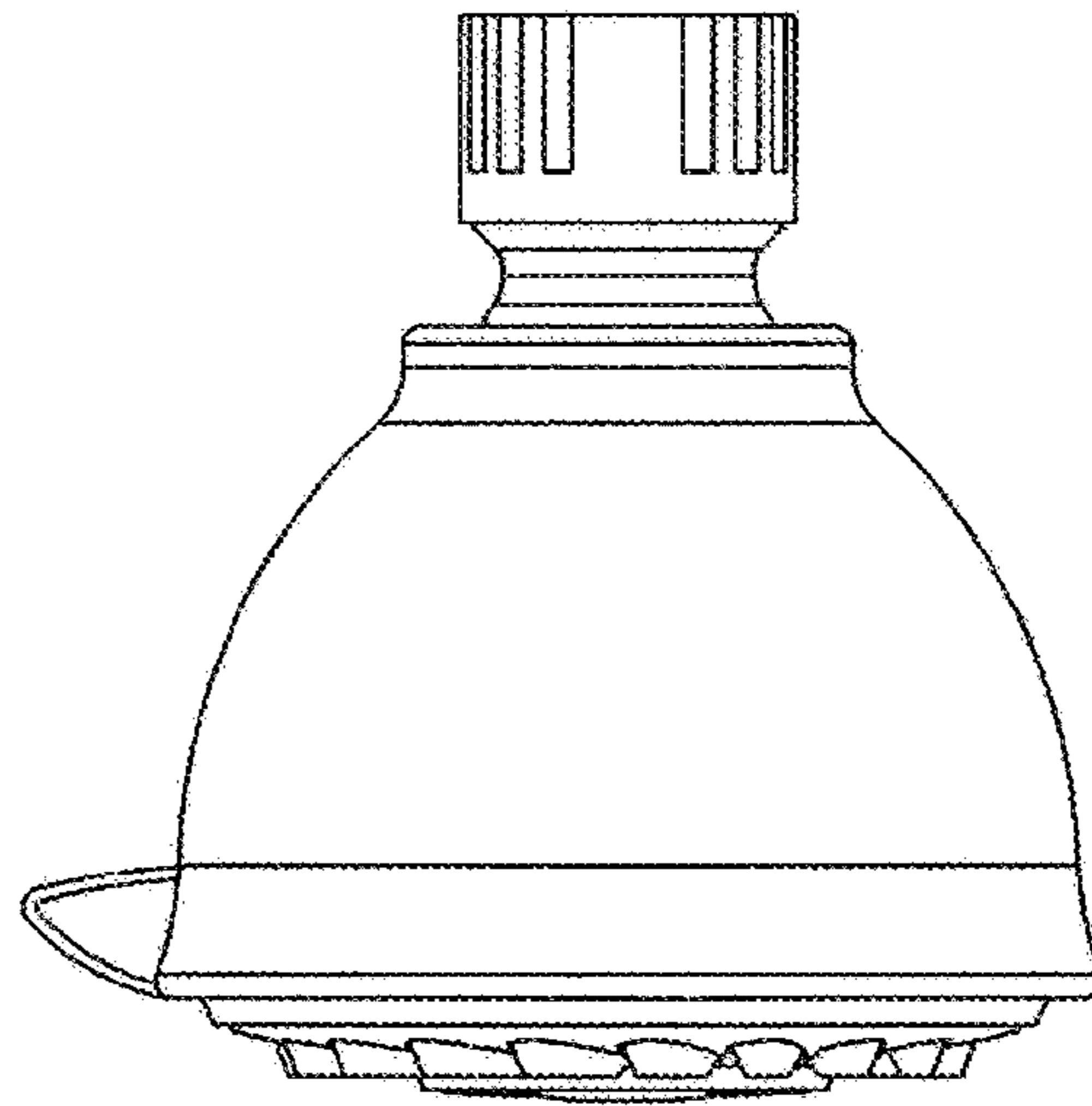


FIG. 2

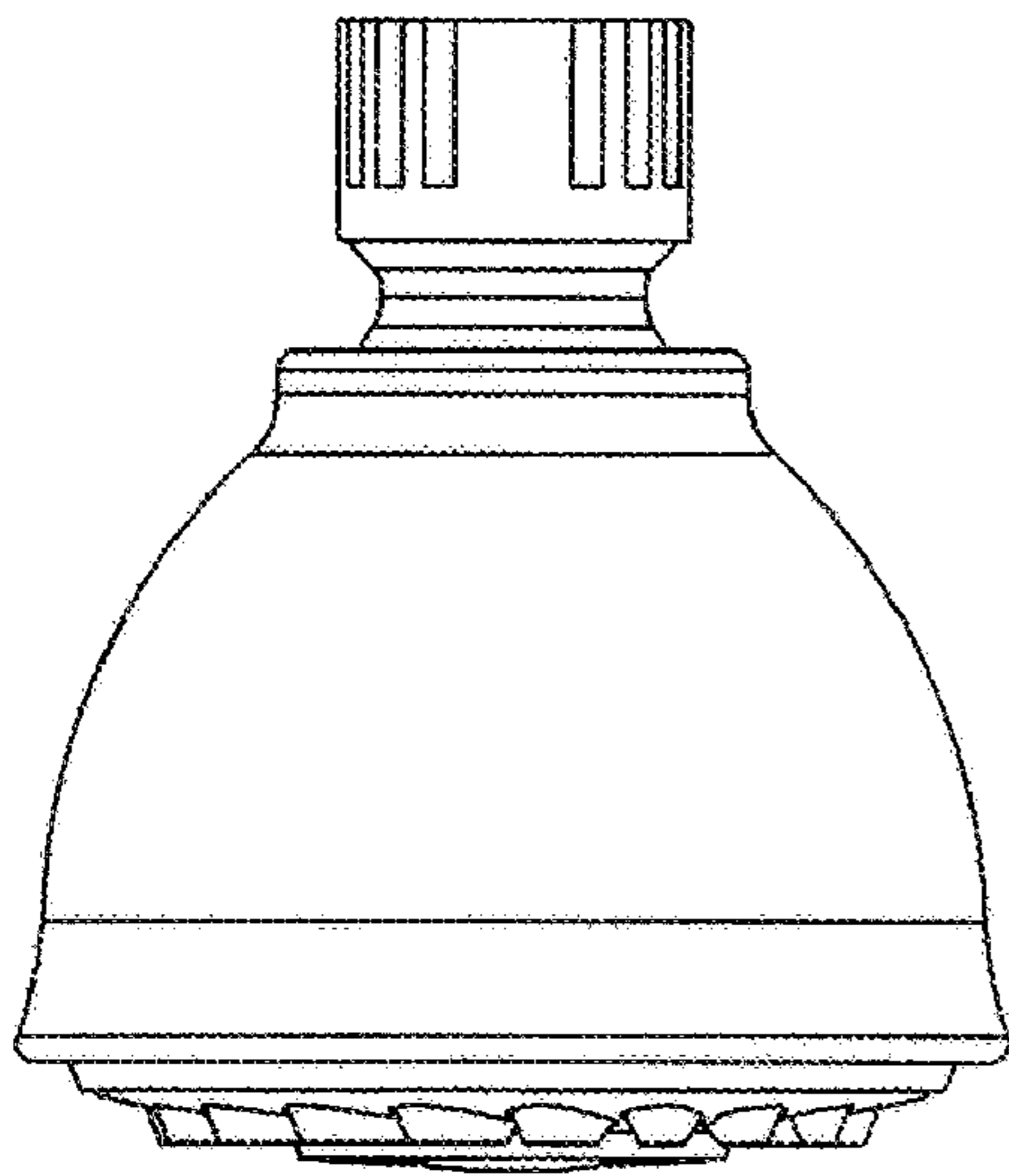


FIG. 3

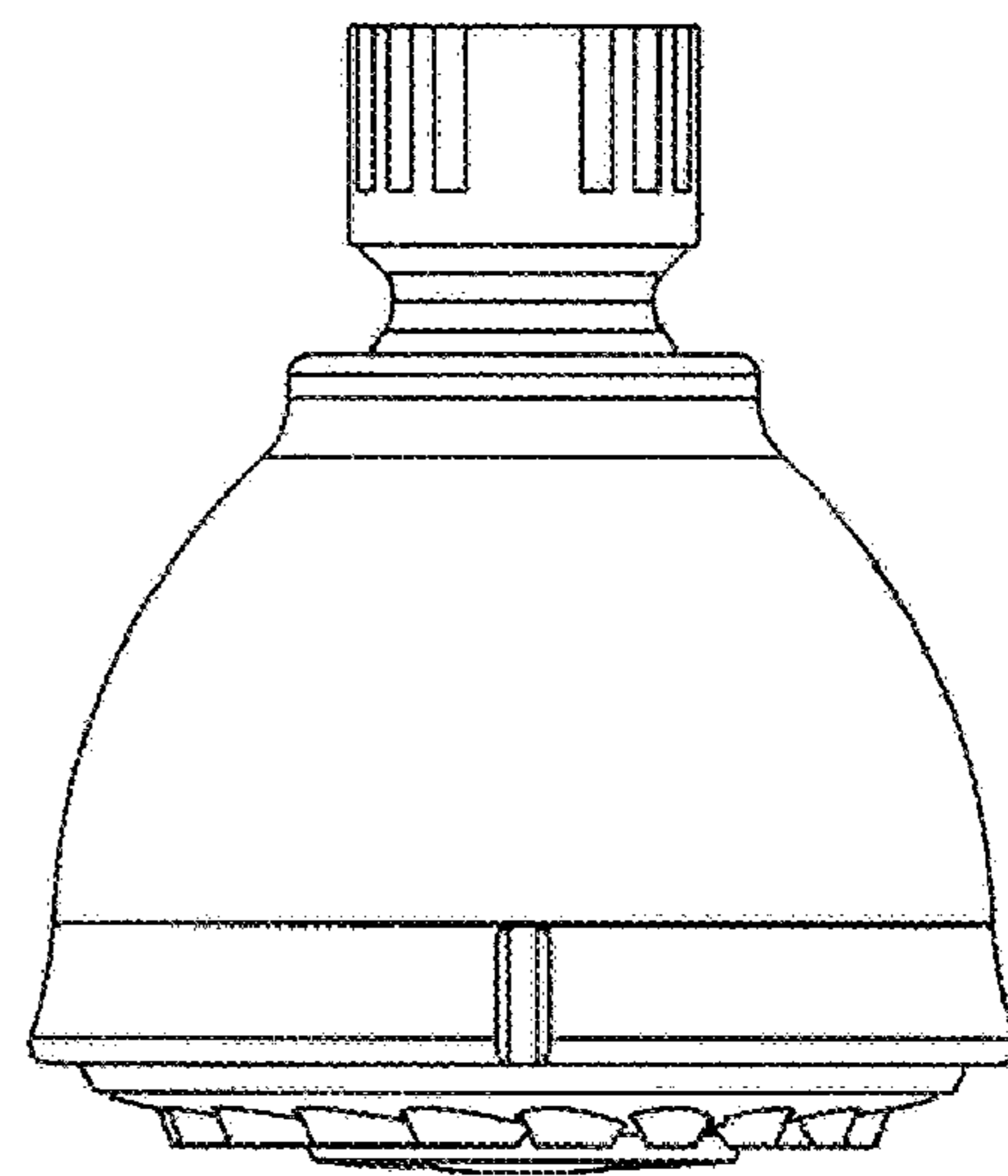


FIG. 4

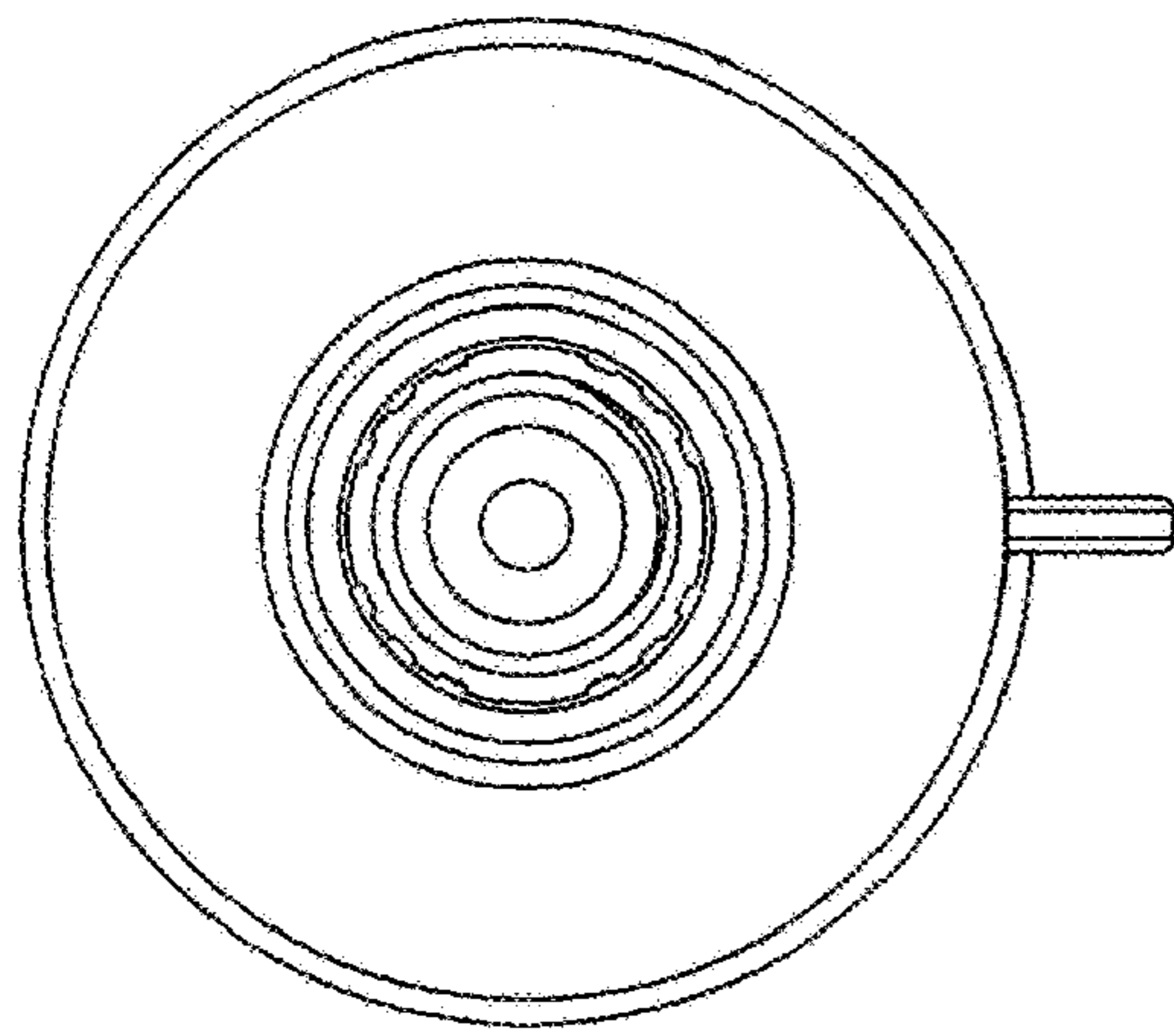


FIG. 5

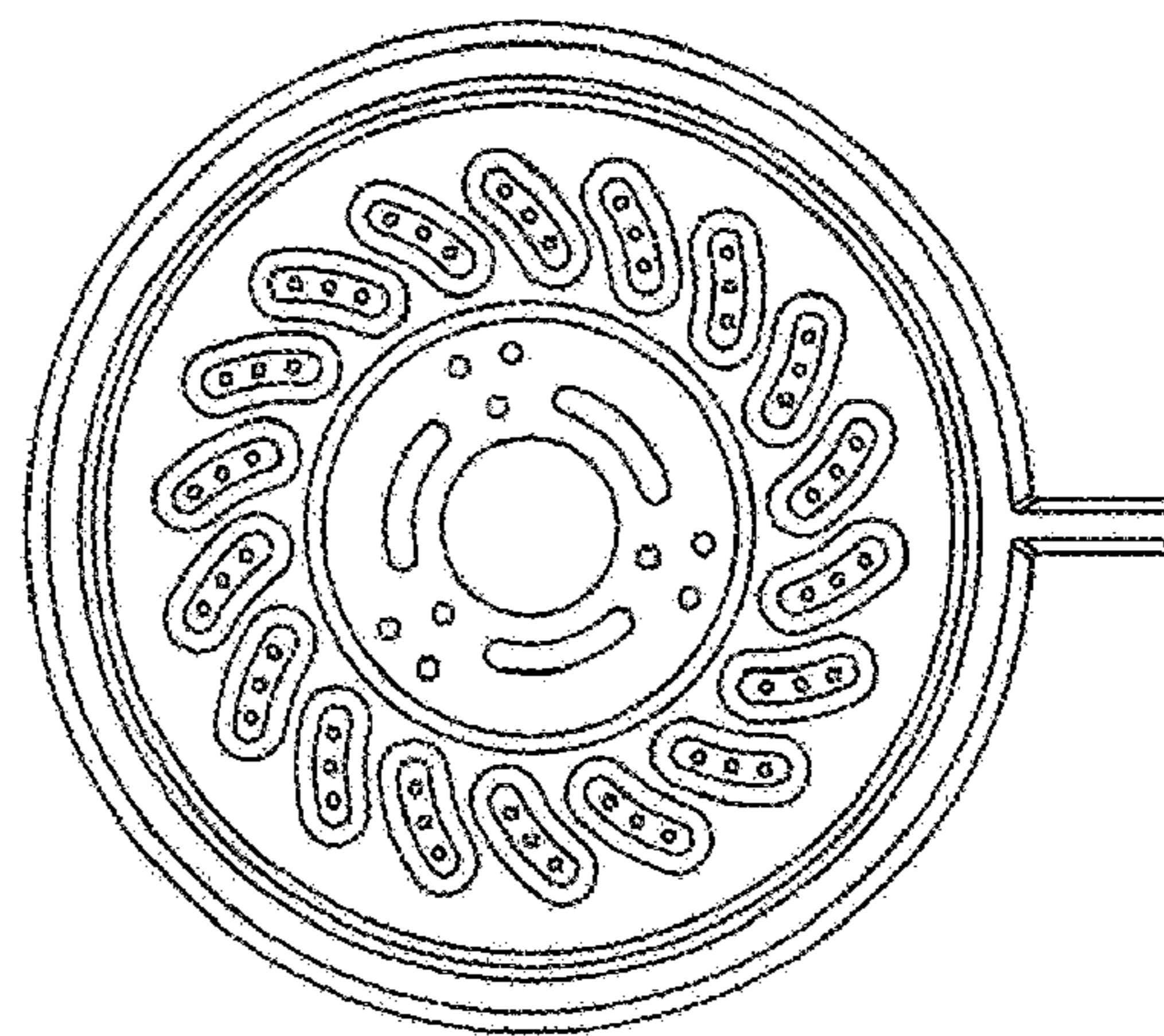


FIG. 6

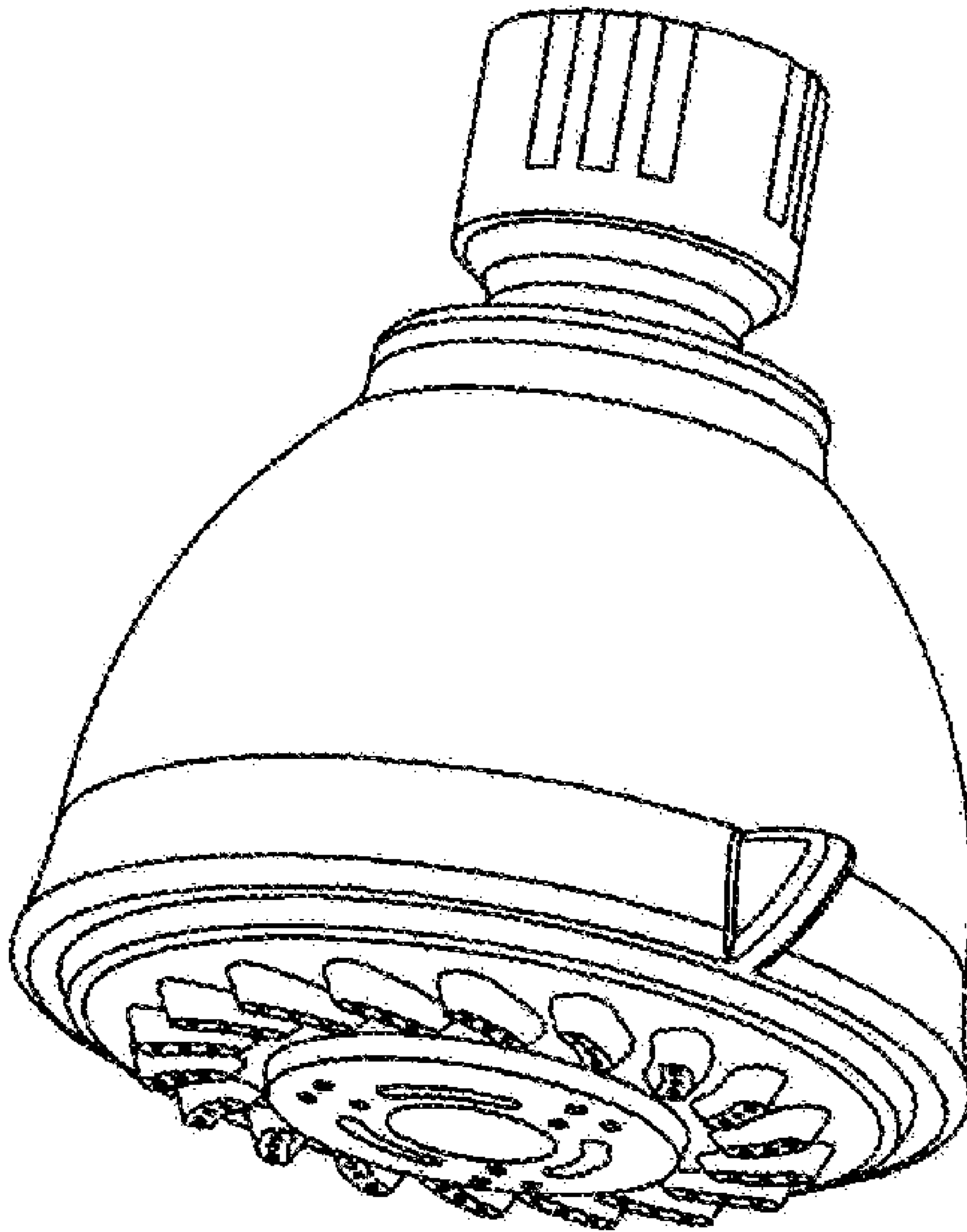


FIG. 7