



US00D559945S

(12) **United States Design Patent**  
**Patterson et al.**

(10) **Patent No.:** **US D559,945 S**  
(45) **Date of Patent:** **\*\* Jan. 15, 2008**

(54) **SHOWERHEAD**

(75) Inventors: **Charles Patterson**, Durango, CO (US);  
**Victor Hoernig**, Lowell, IN (US);  
**Julian Giggs**, Hillsdale, MI (US);  
**Michael Miller**, Portage, MI (US)

(73) Assignee: **Alsons Corporation**, Hillsdale, MI  
(US)

(\*\*) Term: **14 Years**

(21) Appl. No.: **29/268,030**

(22) Filed: **Oct. 27, 2006**

(51) **LOC (8) Cl.** ..... **23-10**

(52) **U.S. Cl.** ..... **D23/213; D23/223**

(58) **Field of Classification Search** ..... D23/213,  
D23/223, 226, 229, 230; 239/525-7, 282-3,  
239/394

See application file for complete search history.

(56) **References Cited**

**U.S. PATENT DOCUMENTS**

1,840,812 A \* 1/1932 Hardy ..... 601/155  
D508,728 S \* 8/2005 Kobi et al. .... D23/213

D509,562 S \* 9/2005 Kobi et al. .... D23/213

\* cited by examiner

*Primary Examiner*—Robin V. Webster

(74) *Attorney, Agent, or Firm*—Edgar A. Zarins; Lloyd D. Doigan

(57) **CLAIM**

The ornamental design for a showerhead, as shown and described.

**DESCRIPTION**

FIG. 1 is a perspective view of a showerhead showing our new design;

FIG. 2 is a rear perspective view thereof;

FIG. 3 is a front elevational view thereof;

FIG. 4 is a rear view thereof;

FIG. 5 is a left side view thereof;

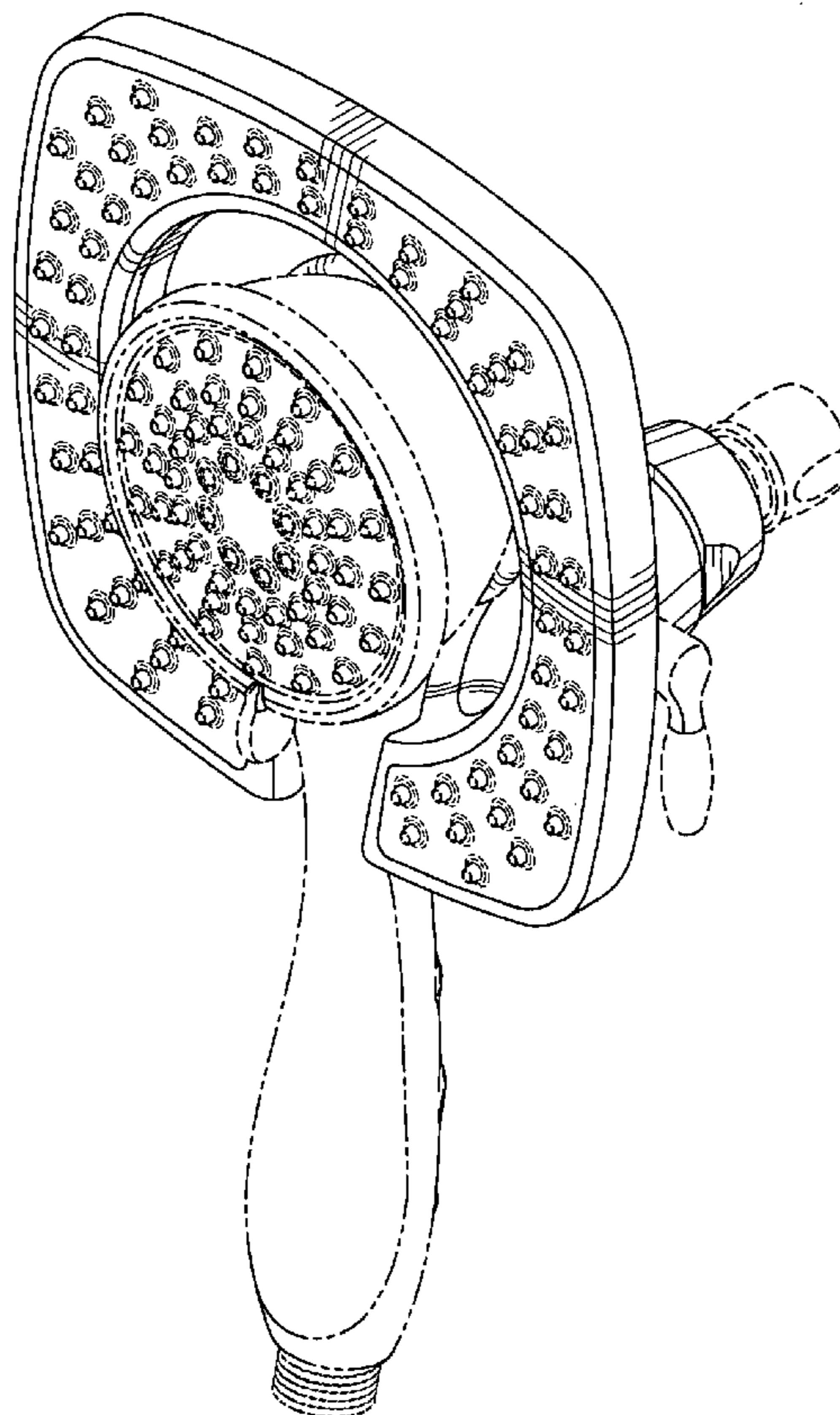
FIG. 6 is a right side view thereof;

FIG. 7 is a bottom plan view thereof; and,

FIG. 8 is a top view thereof.

The broken line showing is included for the purpose of illustrating and forms no part of the claimed design.

**1 Claim, 8 Drawing Sheets**



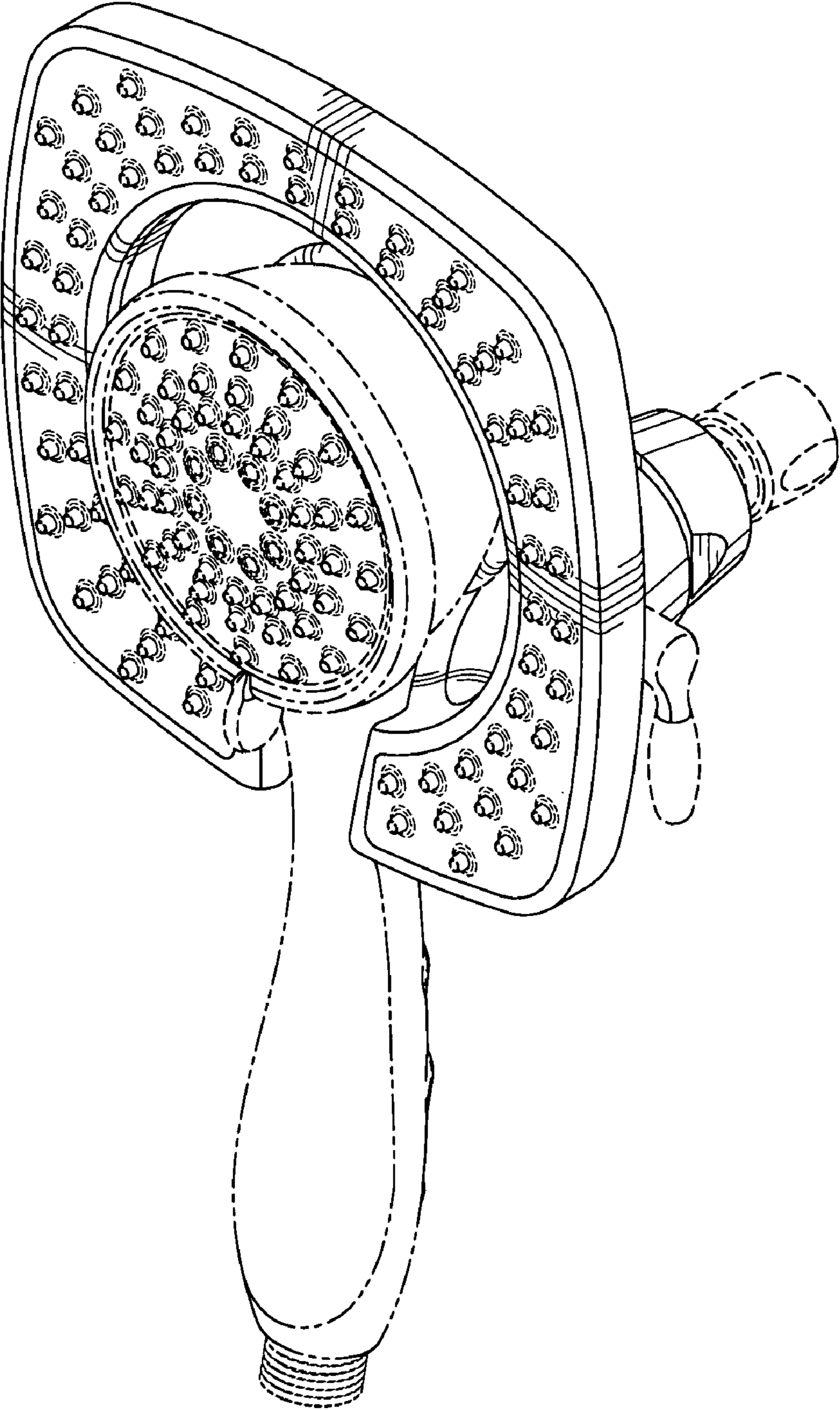


Fig-1

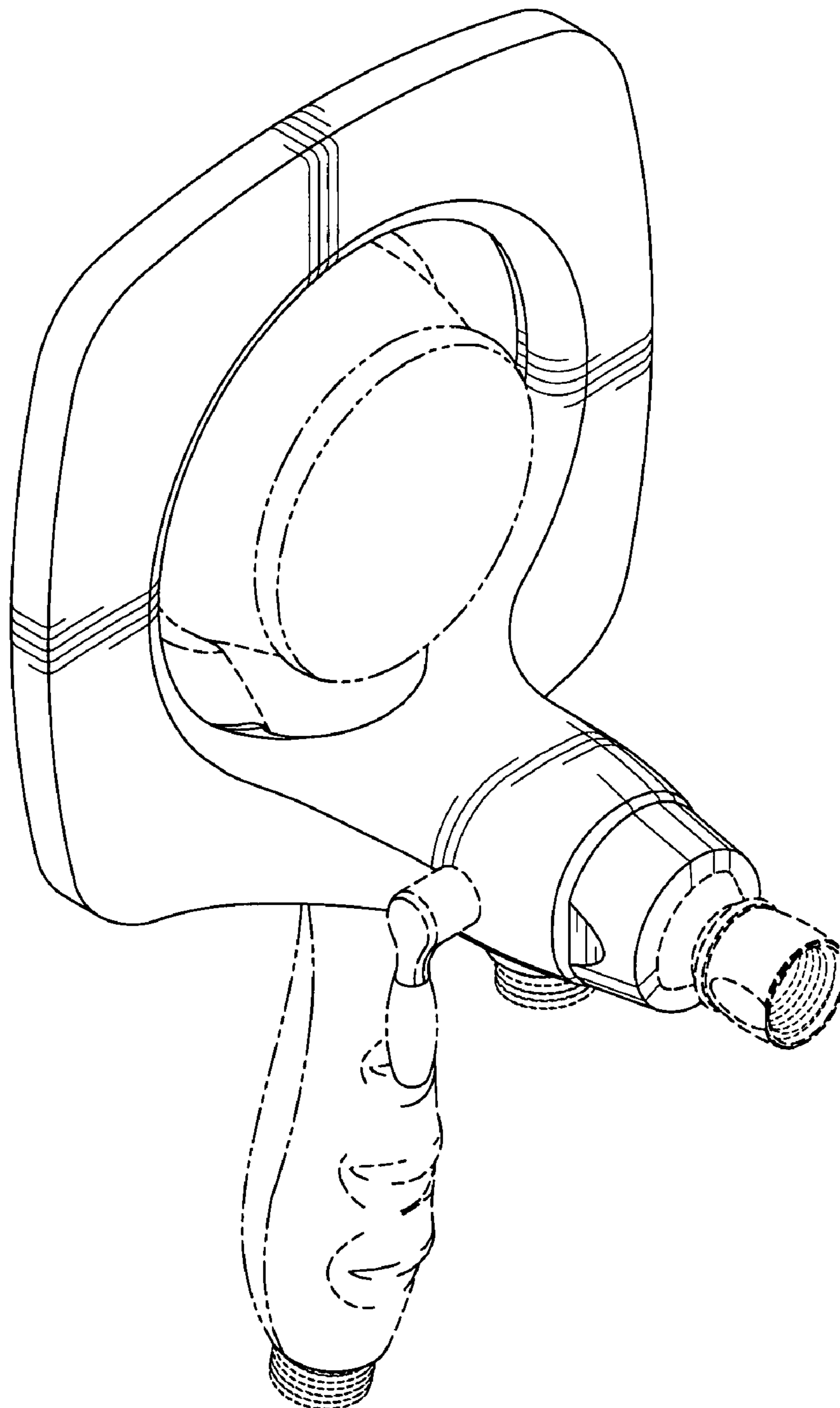


Fig-2

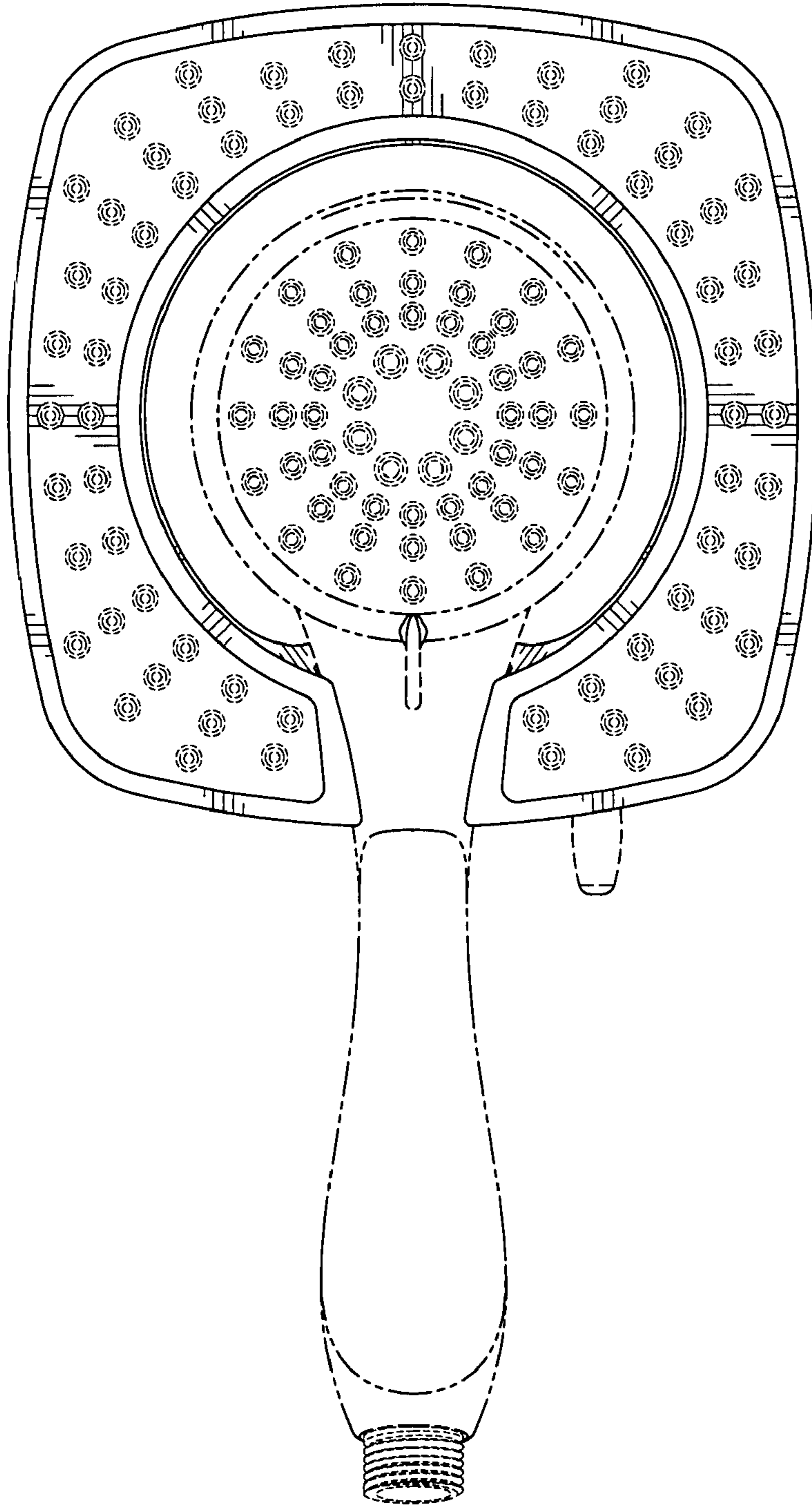


Fig-3

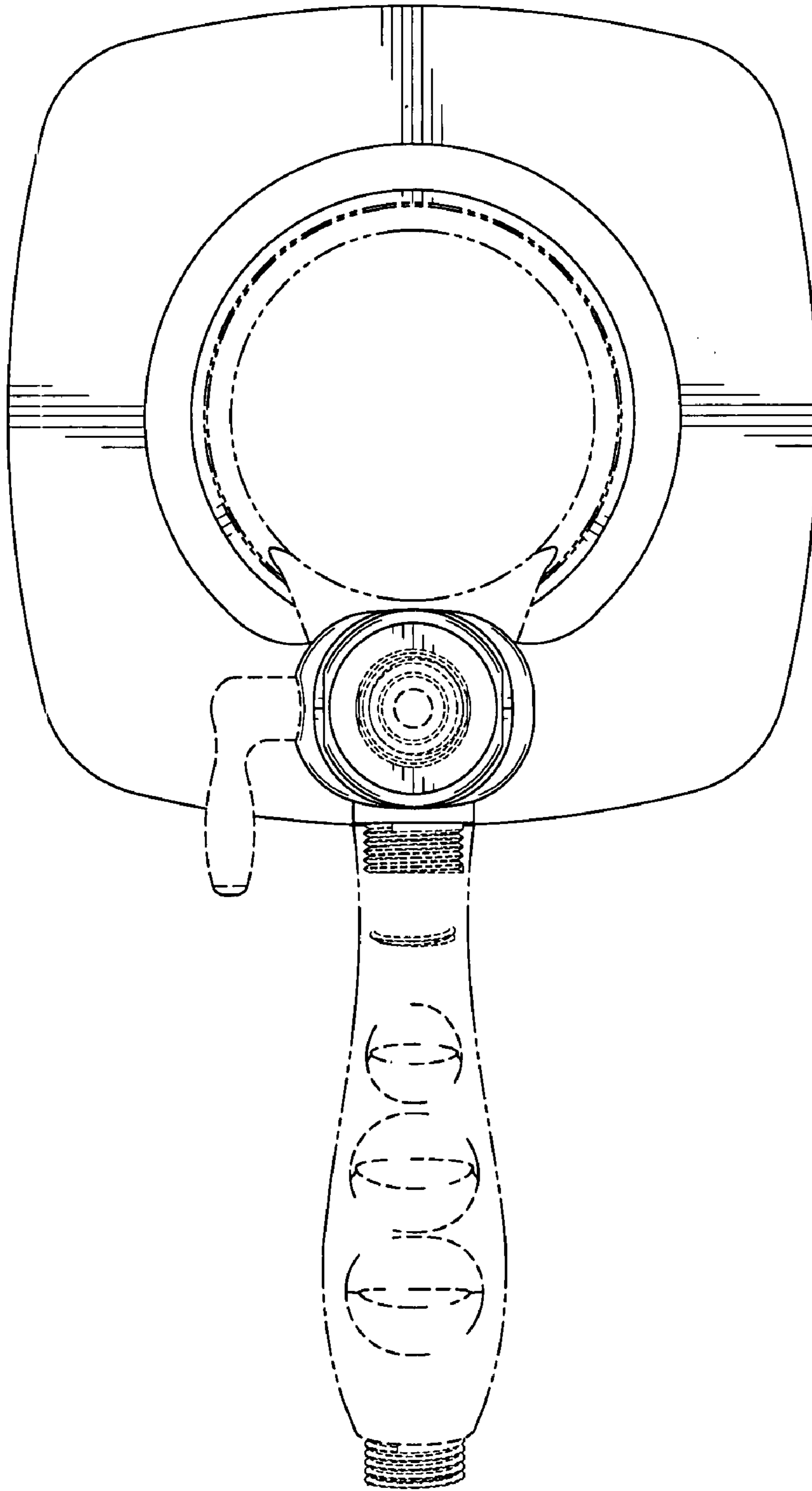


Fig-4

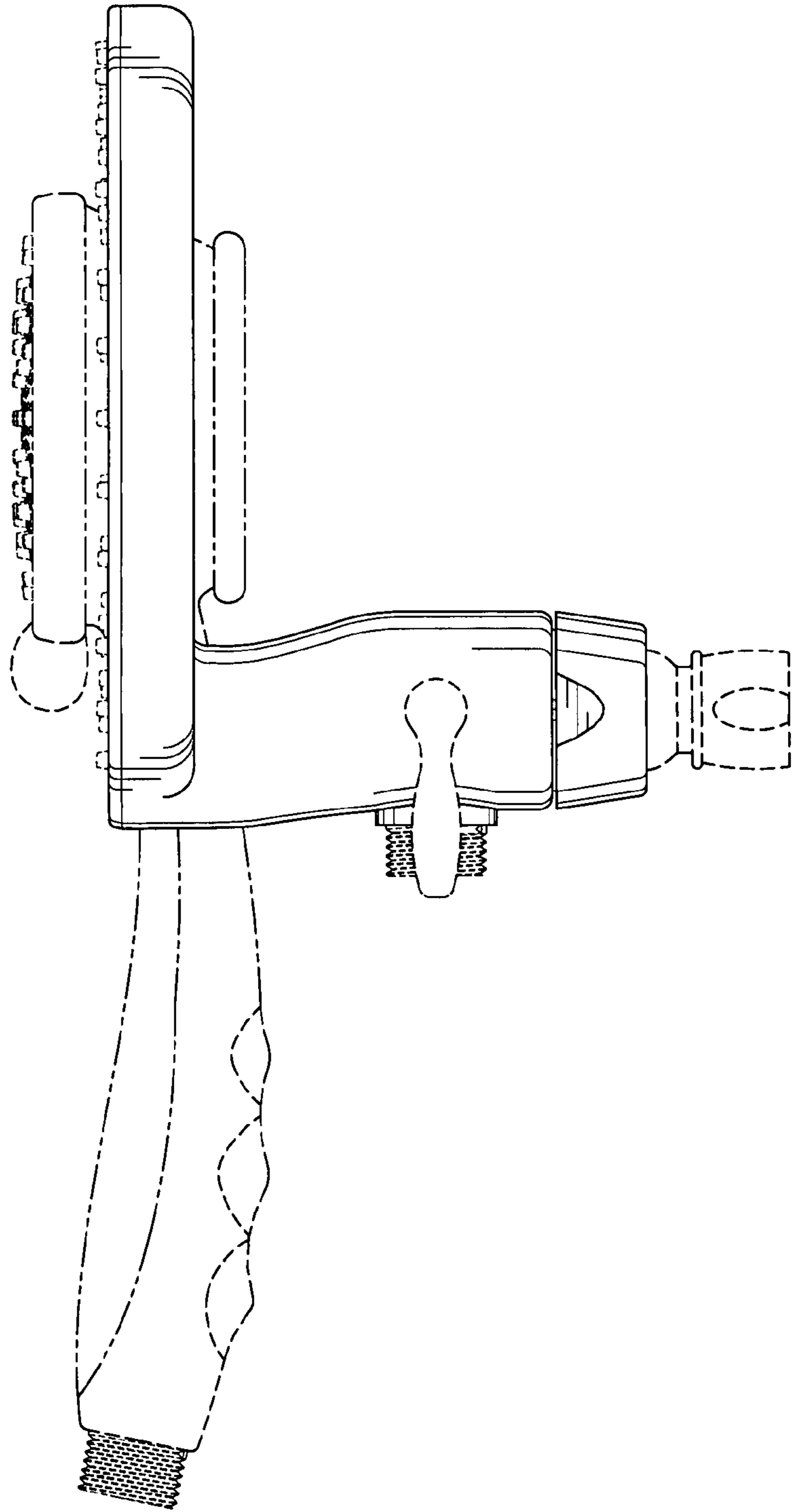


Fig-5

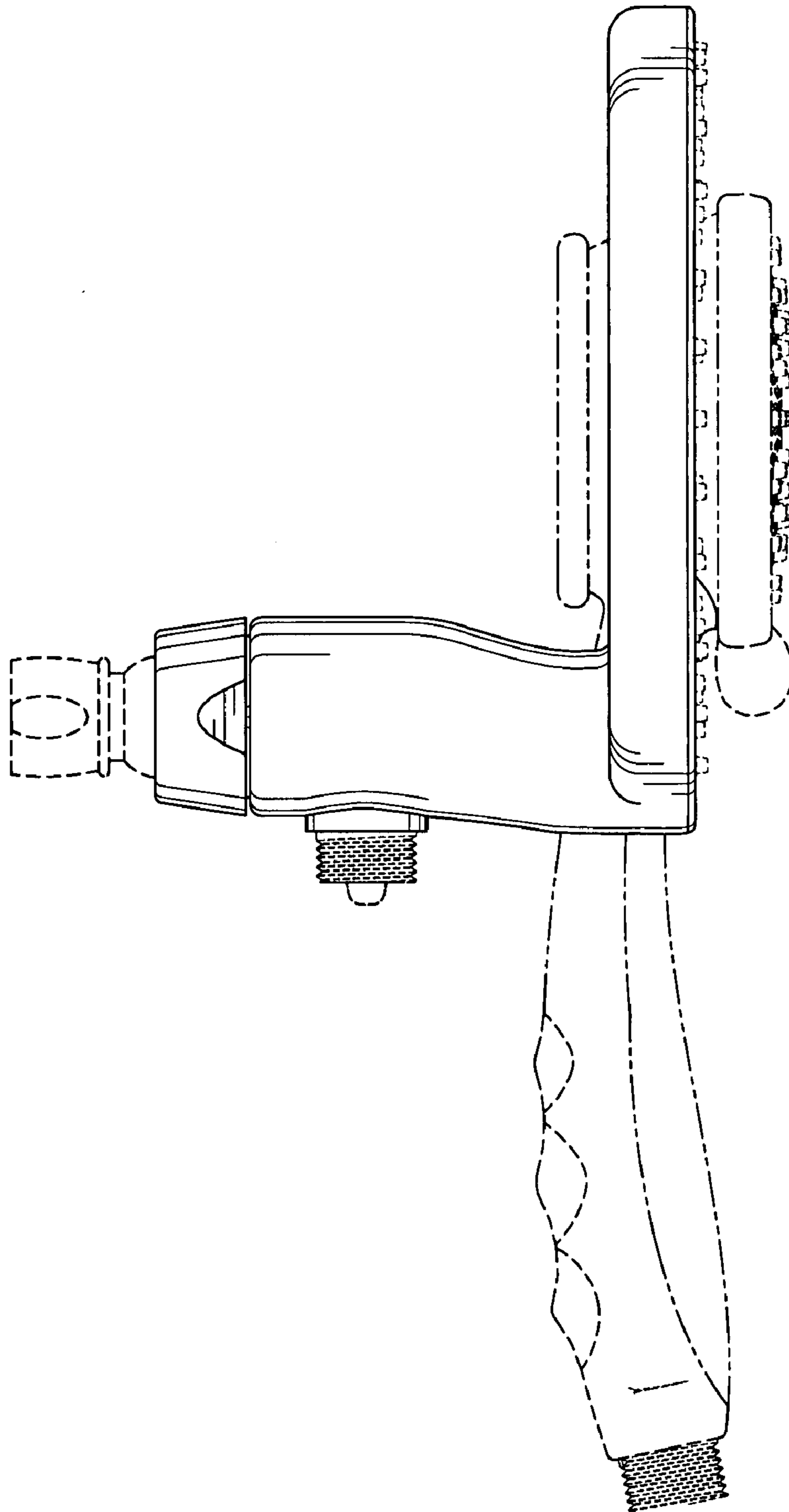


Fig-6

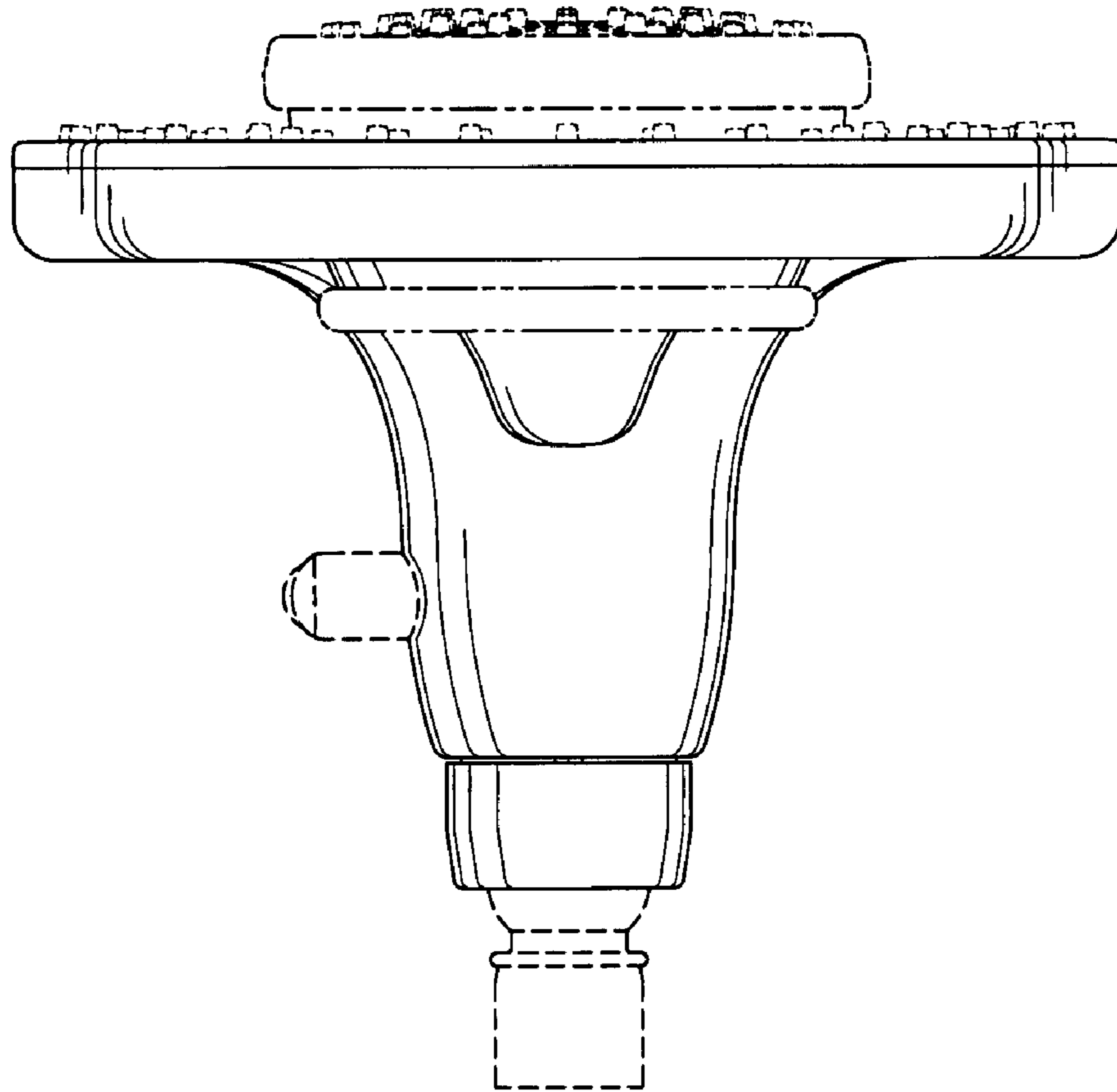


Fig-7



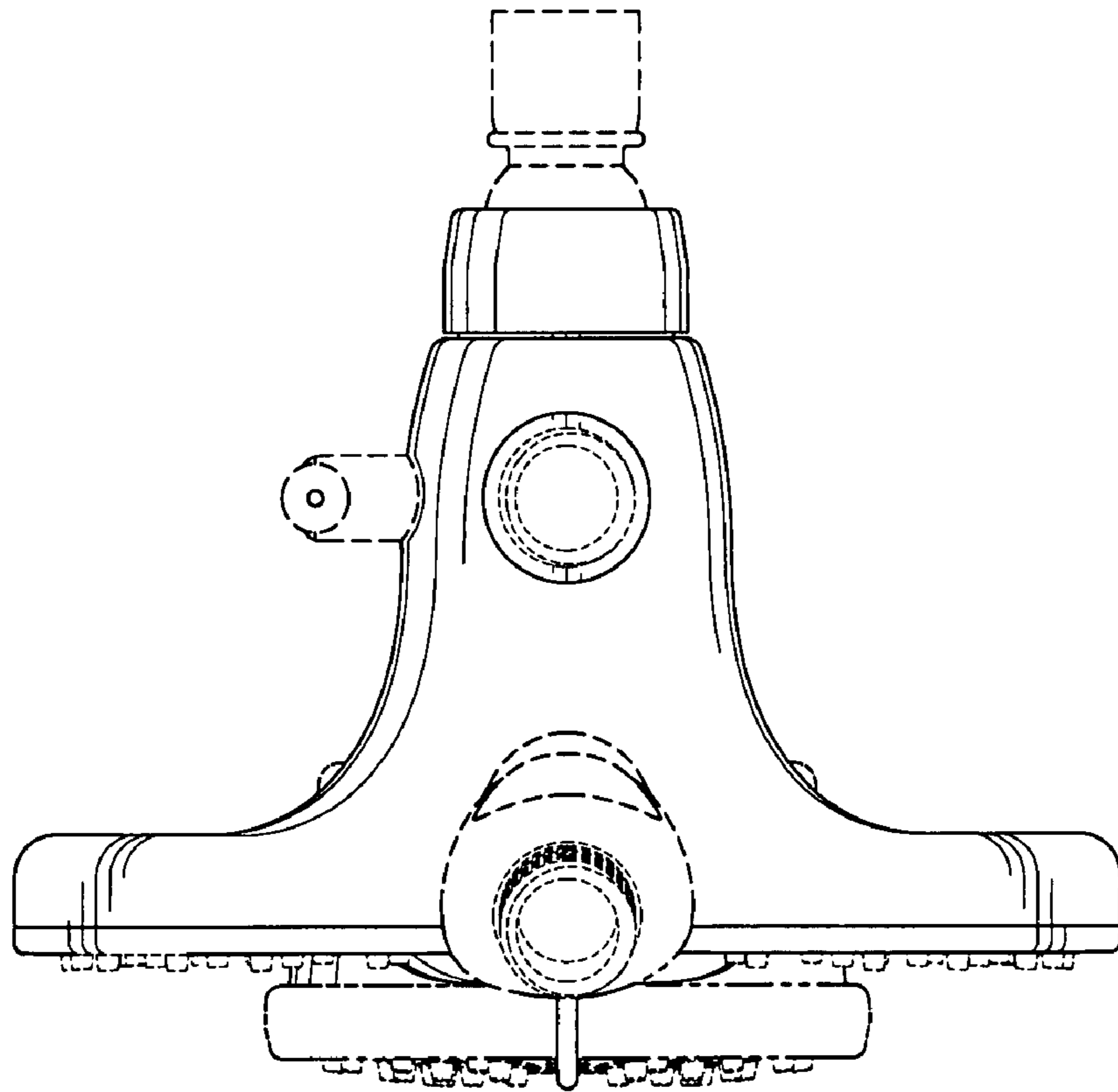


Fig-8